



US00D703343S

(12) **United States Design Patent**
Biswas et al.

(10) **Patent No.:** **US D703,343 S**
(45) **Date of Patent:** **** Apr. 22, 2014**

(54) **STERILIZER**

(71) Applicant: **American Sterilizer Company**, Mentor, OH (US)

(72) Inventors: **Prantik Guha Biswas**, Mentor, OH (US); **Mark E. Chiffon**, Erie, PA (US); **Michael Levar**, Wickliffe, OH (US); **Renee Brown**, North Olmsted, OH (US)

(73) Assignee: **American Sterilizer Company**, Mentor, OH (US)

(**) Term: **14 Years**

(21) Appl. No.: **29/464,801**

(22) Filed: **Aug. 21, 2013**

(51) **LOC (10) Cl.** **24-01**

(52) **U.S. Cl.**
USPC **D24/217**

(58) **Field of Classification Search**
USPC D24/216, 217, 218, 224, 227, 231;
422/20, 21, 22, 24, 26, 297, 300, 303;
220/529, 735; 206/370, 438; D32/1
See application file for complete search history.

(56) **References Cited**

U.S. PATENT DOCUMENTS

D247,308 S * 2/1978 Truette D24/217
D330,771 S * 11/1992 Chaney et al. D24/217

5,223,229 A * 6/1993 Brucker 422/116
5,225,160 A * 7/1993 Sanford et al. 422/28
D404,827 S * 1/1999 Thoburn D24/217
D433,147 S * 10/2000 Florkey et al. D24/217
D491,272 S * 6/2004 Alden et al. D24/216
D546,473 S * 7/2007 Xu D24/217
D560,814 S * 1/2008 Briussel et al. D24/217
D632,800 S * 2/2011 Nanni et al. D24/217
2006/0251540 A1 * 11/2006 Benning et al. 422/26

* cited by examiner

Primary Examiner — Anhdao Doan

(74) *Attorney, Agent, or Firm* — Kusner & Jaffe; Michael A. Centanni

(57) **CLAIM**

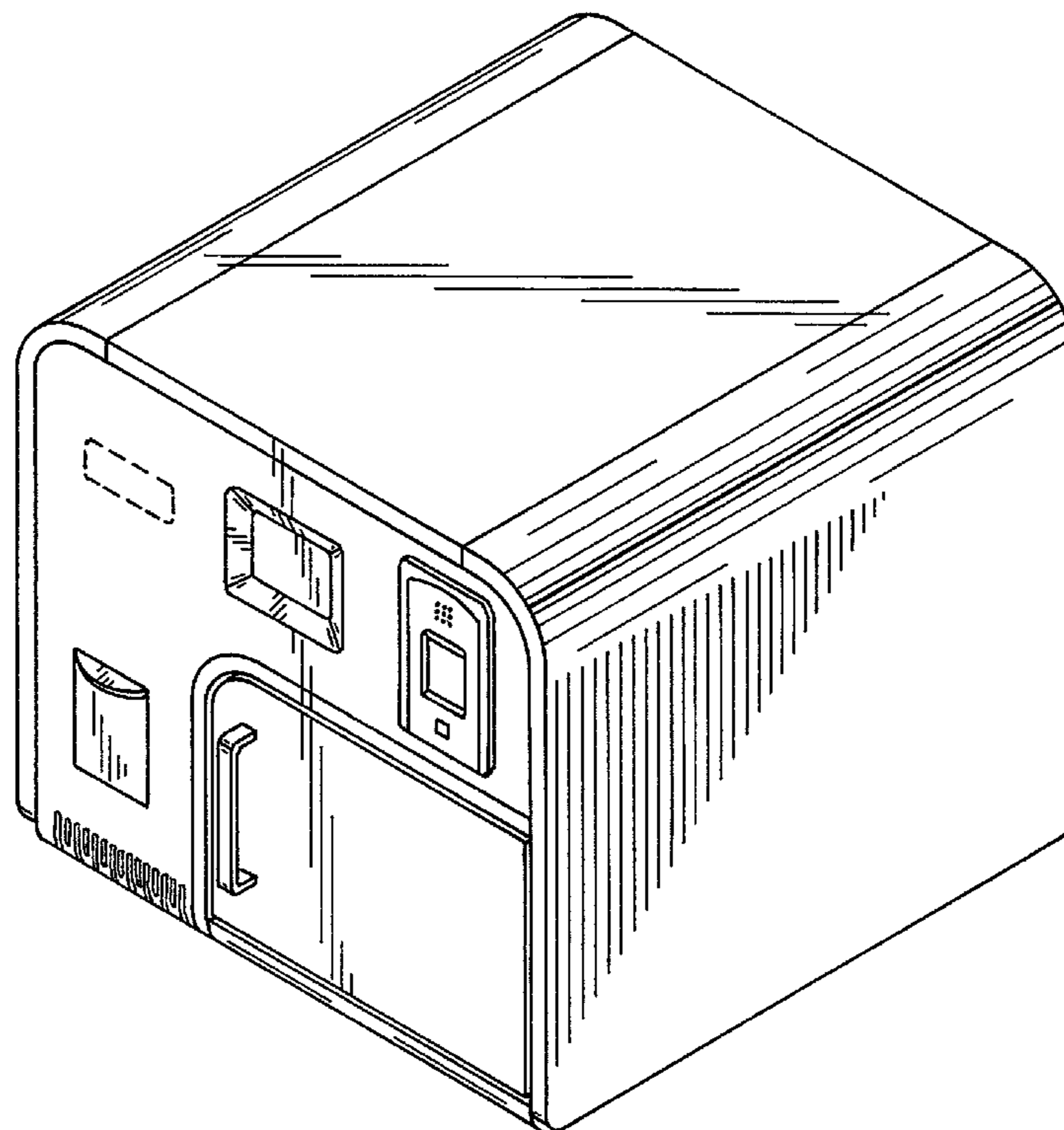
The ornamental design for a sterilizer, as shown and described.

DESCRIPTION

FIG. 1 is a perspective view of a sterilizer showing our new design;
FIG. 2 is a front view thereof;
FIG. 3 is a top view thereof;
FIG. 4 is a left side view thereof;
FIG. 5 is a right side view thereof;
FIG. 6 is a back view thereof; and,
FIG. 7 is a bottom view thereof.

The broken lines in the drawing views are included for the purpose of illustrating portions of the sterilizer that form no part of the claimed design.

1 Claim, 7 Drawing Sheets



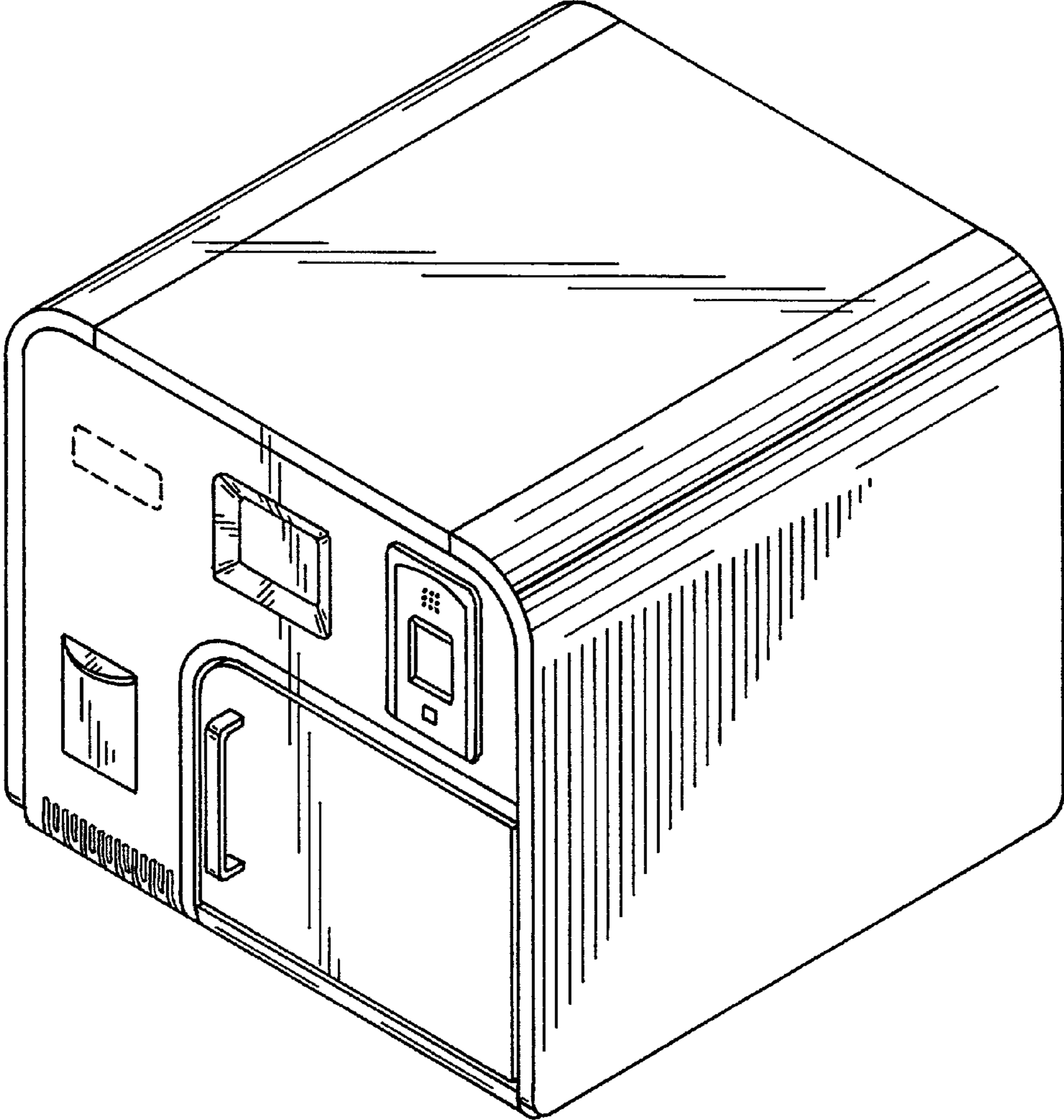


FIG. 1

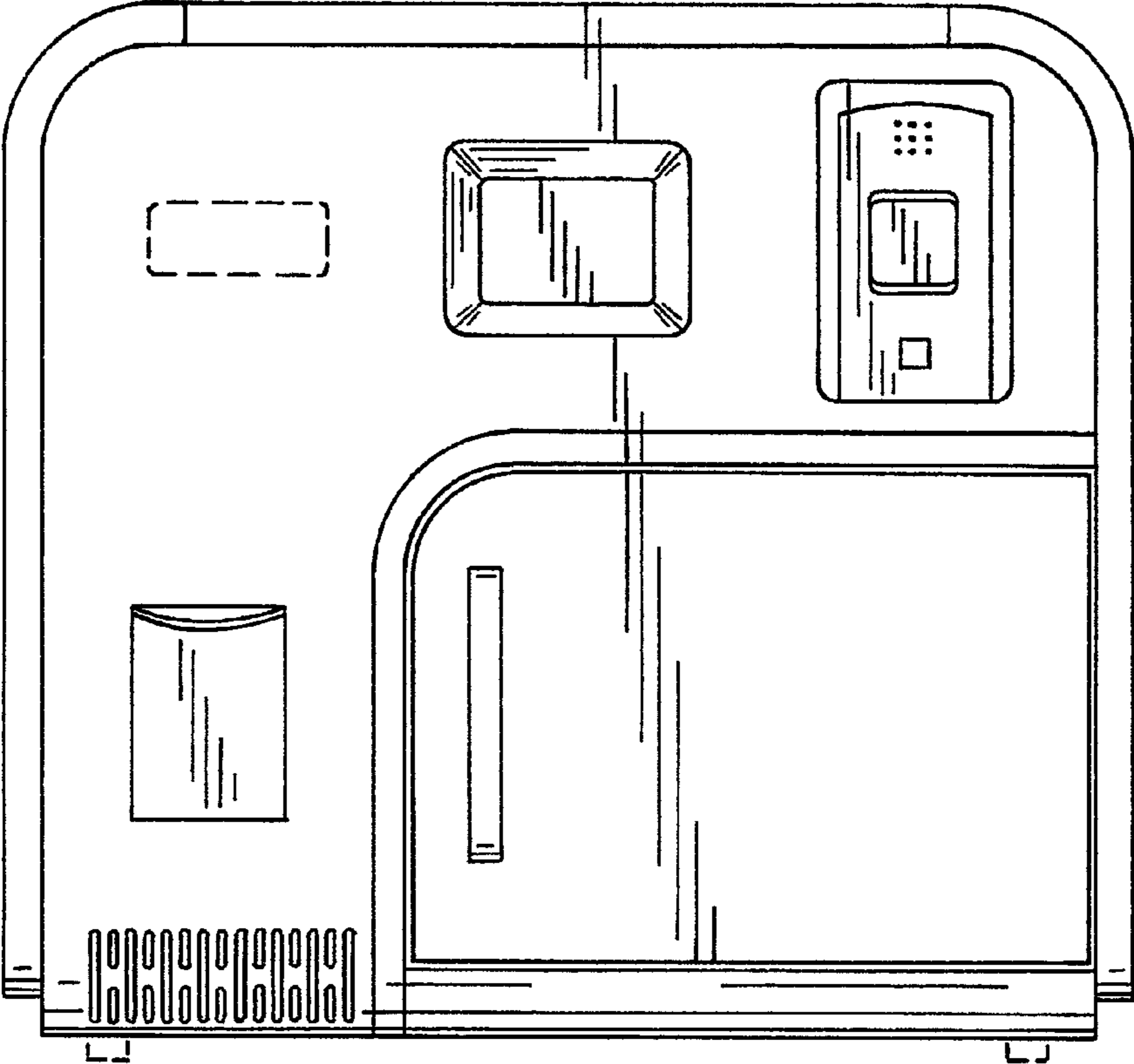


FIG. 2

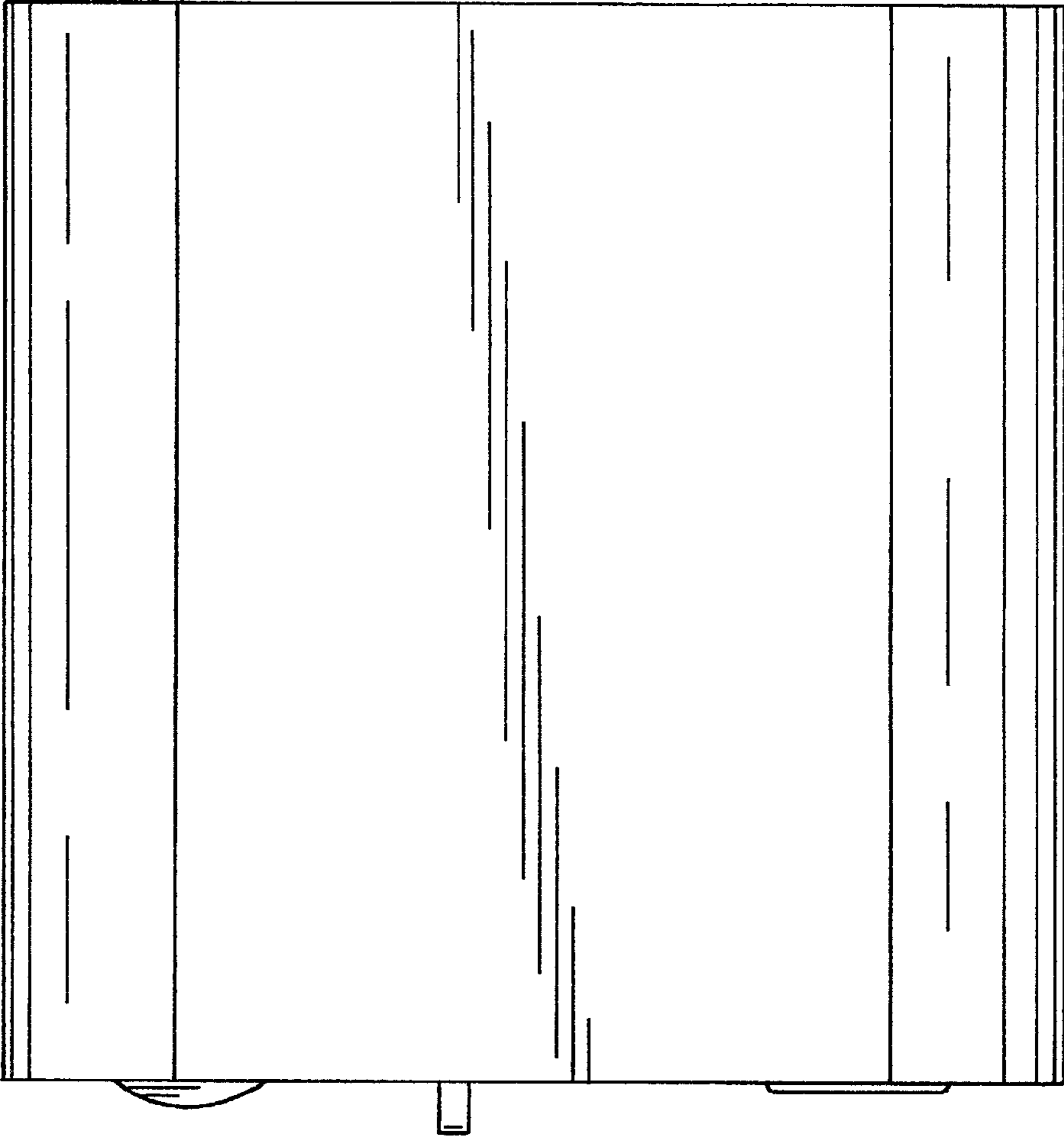


FIG. 3

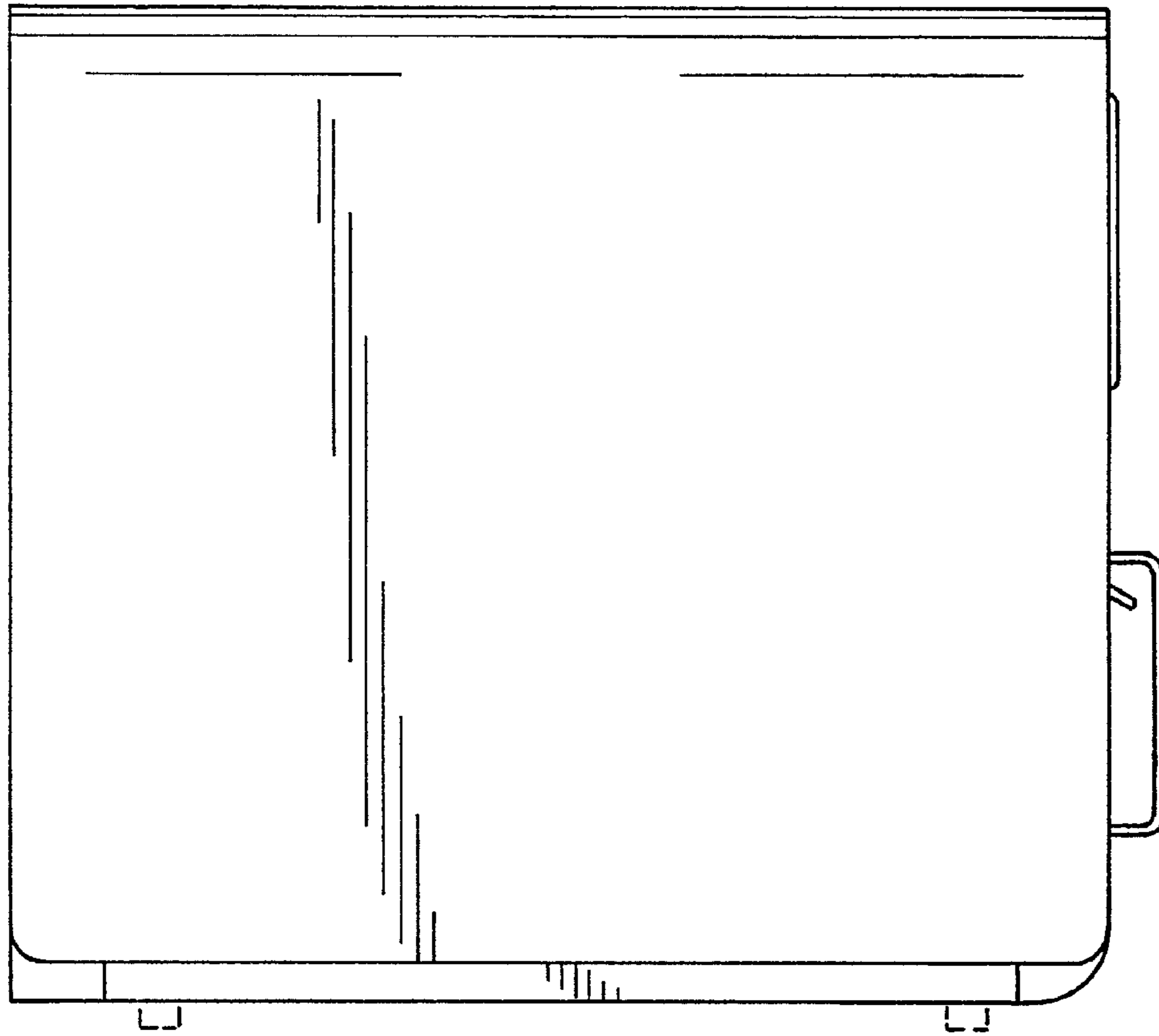


FIG. 4

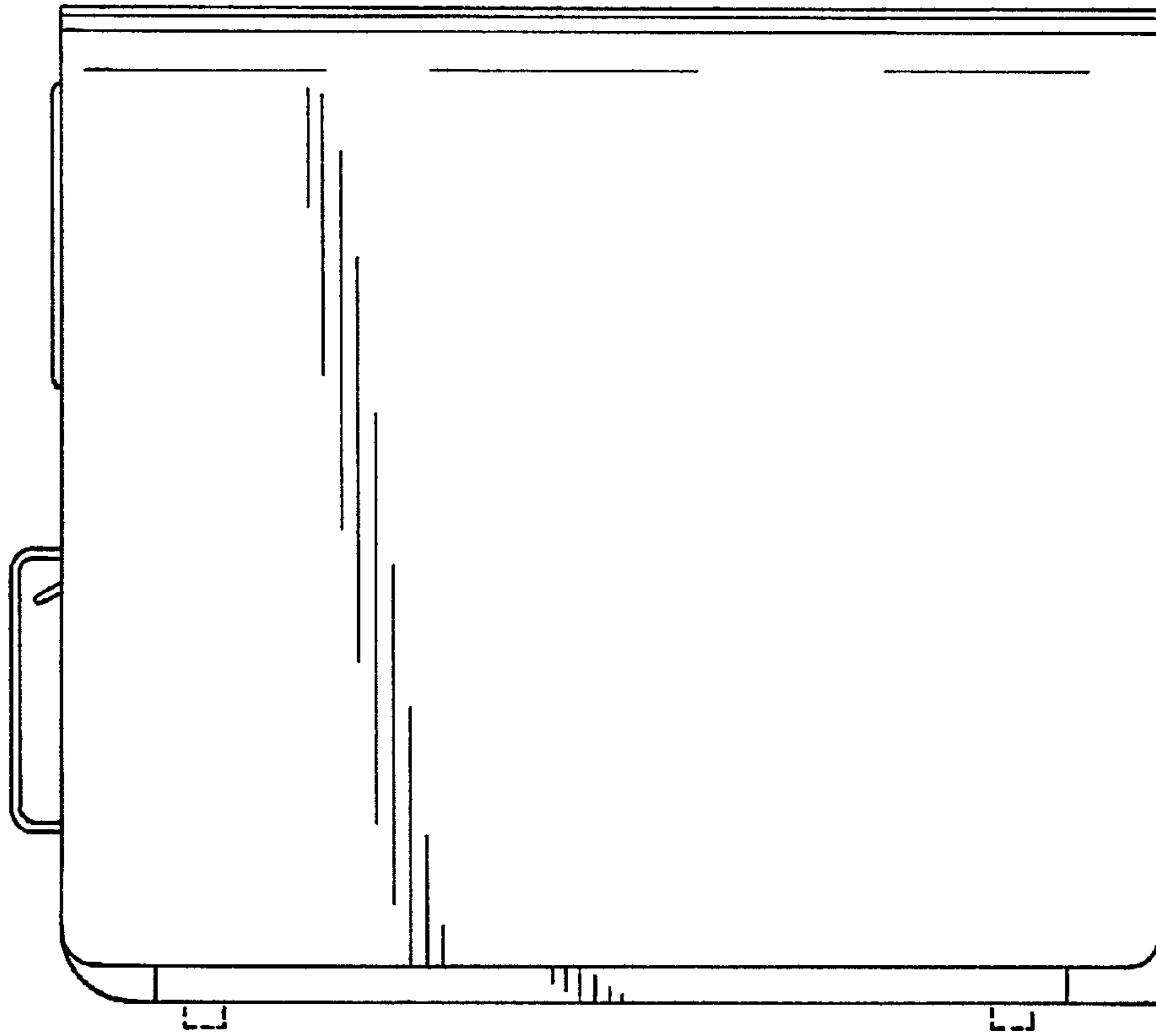


FIG. 5

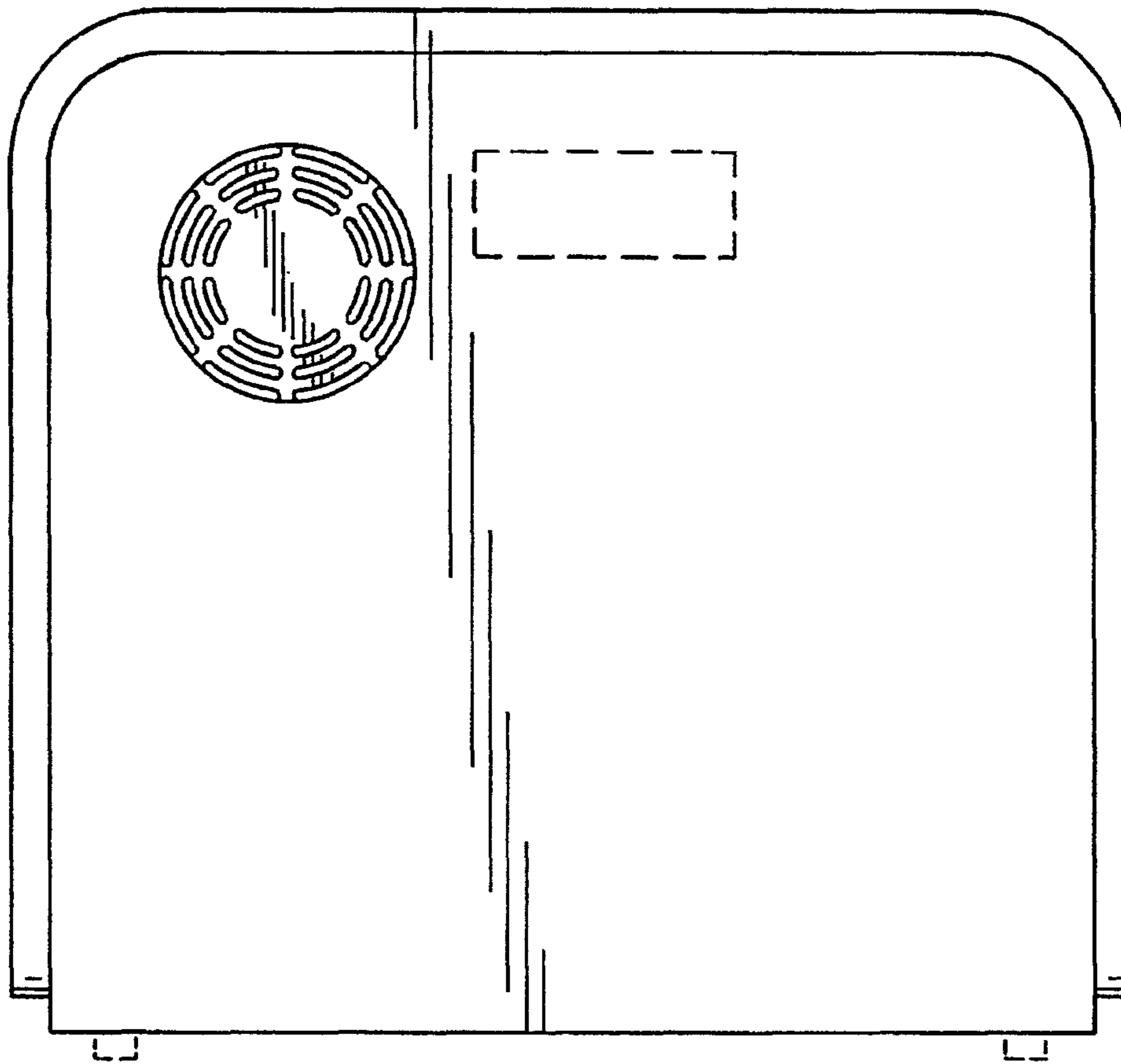


FIG. 6

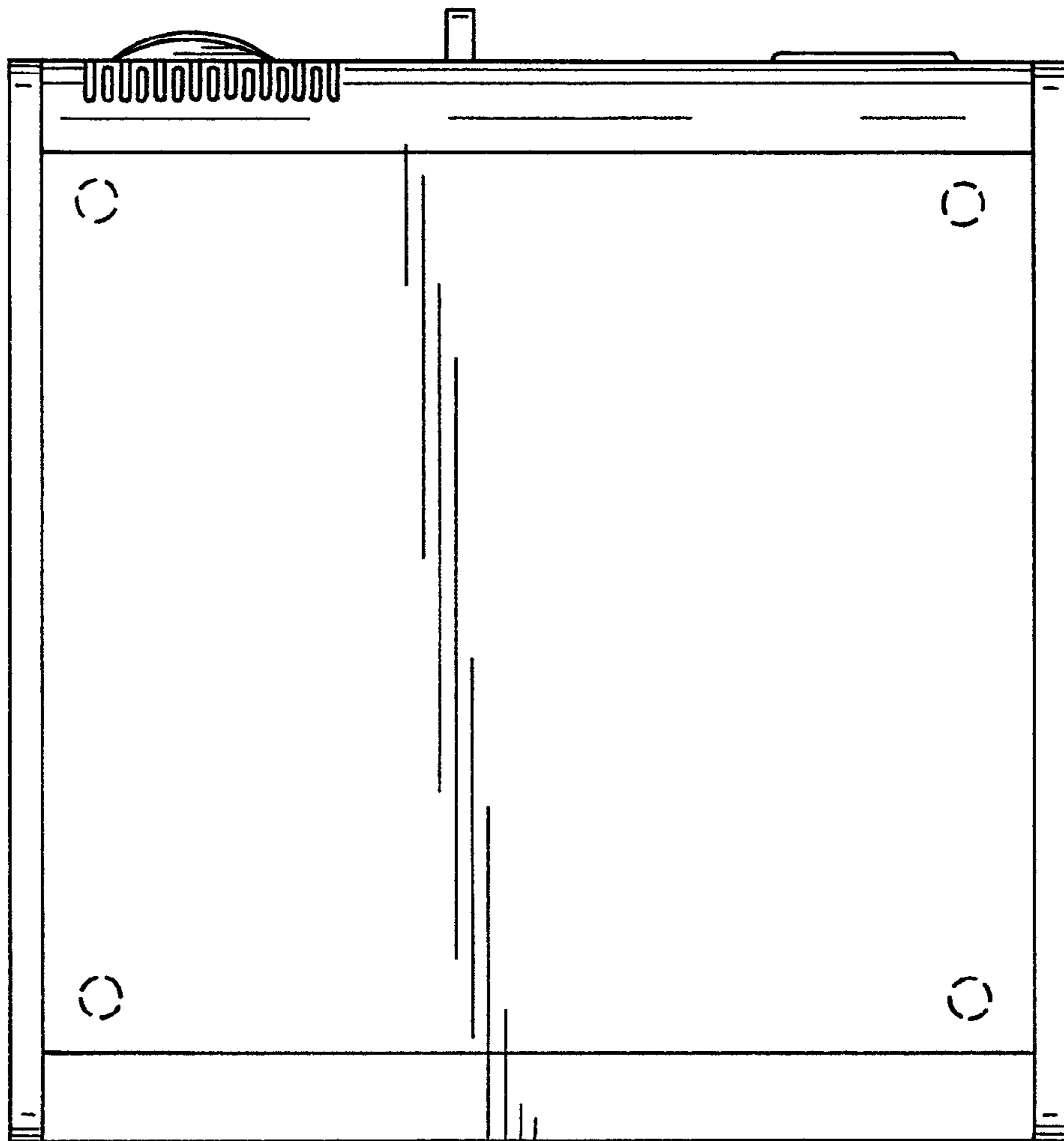


FIG. 7