



US00D703340S

(12) **United States Design Patent**  
**Soltész-Nagy**

(10) **Patent No.:** **US D703,340 S**  
(45) **Date of Patent:** **\*\* Apr. 22, 2014**

- (54) **HORIZONTAL TANNING BED**
- (71) Applicant: **Attila Soltész-Nagy**, Miskolc (HU)
- (72) Inventor: **Attila Soltész-Nagy**, Miskolc (HU)
- (\*\*) Term: **14 Years**
- (21) Appl. No.: **29/468,360**
- (22) Filed: **Sep. 30, 2013**

4,582,062	A	*	4/1986	Albini	.....	607/91
D285,607	S	*	9/1986	Macier	.....	D24/210
D346,448	S	*	4/1994	Hodlund	.....	D24/209
D453,570	S	*	2/2002	Grenier	.....	D24/158
6,402,681	B1	*	6/2002	McDonough et al.	.....	600/22
D469,181	S	*	1/2003	Nilson et al.	.....	D24/158
D496,467	S	*	9/2004	Elkerbout	.....	D24/210
D497,997	S	*	11/2004	Charette	.....	D24/209
D512,153	S	*	11/2005	Elkerbout	.....	D24/210
7,001,414	B2	*	2/2006	Unvert et al.	.....	607/91
D618,360	S	*	6/2010	Mac	.....	D24/209
D658,294	S	*	4/2012	Awad	.....	D24/158

\* cited by examiner

**Related U.S. Application Data**

- (62) Division of application No. 29/400,255, filed on Aug. 25, 2011.

*Primary Examiner* — David Muller

(74) *Attorney, Agent, or Firm* — Stein IP, LLC

(30) **Foreign Application Priority Data**

Apr. 1, 2011 (HU) ..... D1100048

(51) **LOC (10) Cl.** ..... **28-03**

(52) **U.S. Cl.**  
USPC ..... **D24/209**

(58) **Field of Classification Search**  
USPC ..... D24/210, 209, 200, 158, 176, 185, 186;  
D26/29, 37, 39, 41, 104; 606/2-4, 16,  
606/131; 607/88-951; 433/29; 601/15,  
601/DIG. 5, DIG. 21  
See application file for complete search history.

(56) **References Cited**

**U.S. PATENT DOCUMENTS**

D193,051 S \* 6/1962 Jacobs ..... D24/209

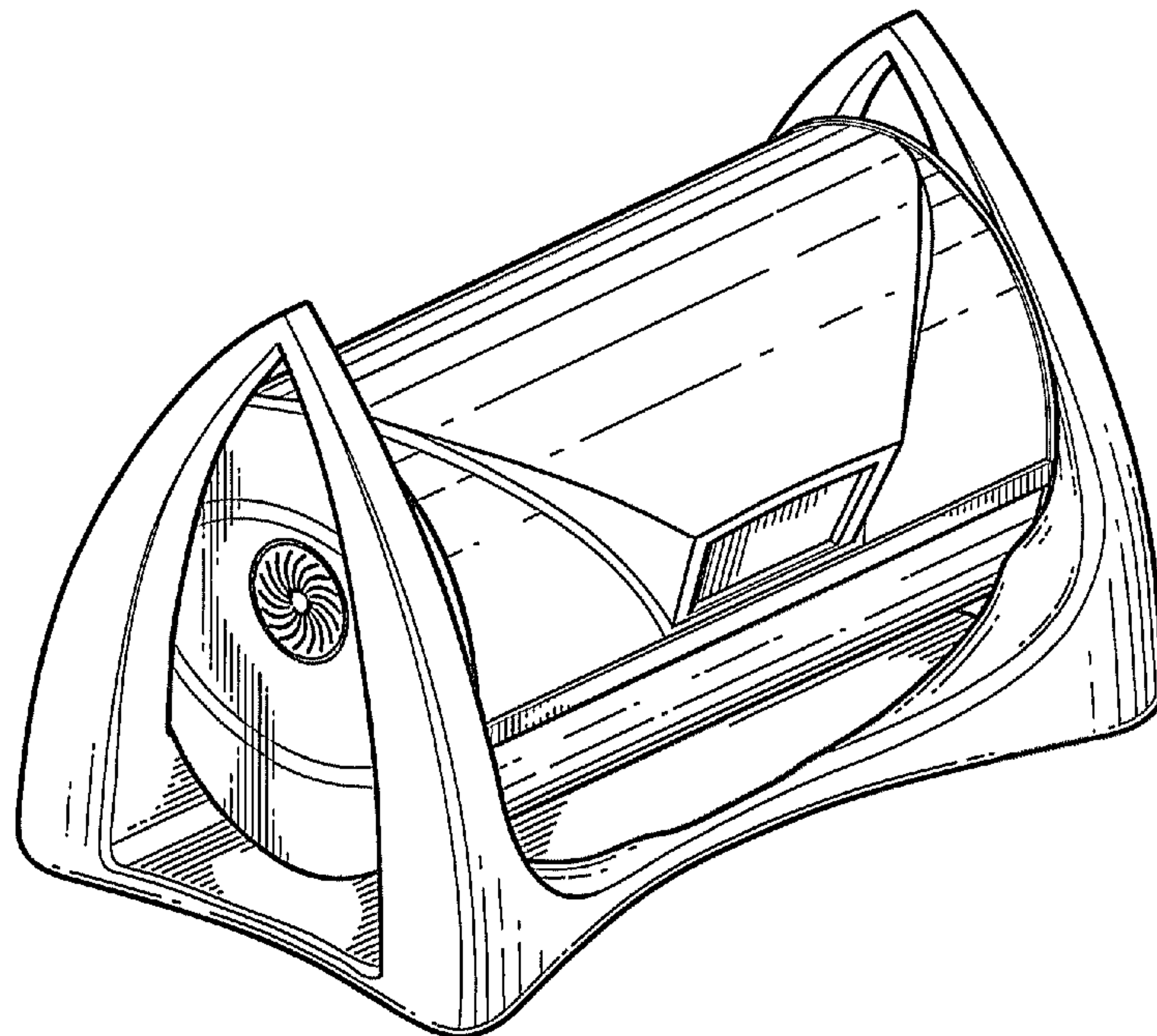
(57) **CLAIM**

The ornamental design of a horizontal tanning bed, as shown, and described.

**DESCRIPTION**

FIG. 1 is a perspective view of applicant's tanning bed; FIG. 2 is a front elevational view of the tanning bed of FIG. 1; FIG. 3 is a top plan view of the tanning bed of FIG. 1; FIG. 4 is a bottom plan view of the tanning bed of FIG. 1; FIG. 5 is an end view, in elevation, of the left side of the tanning bed of FIG. 1; FIG. 6 is an end view, in elevation, of the right side of the tanning bed of FIG. 1; and, FIG. 7 is a rear elevational view of the tanning bed of FIG. 1.

**1 Claim, 5 Drawing Sheets**



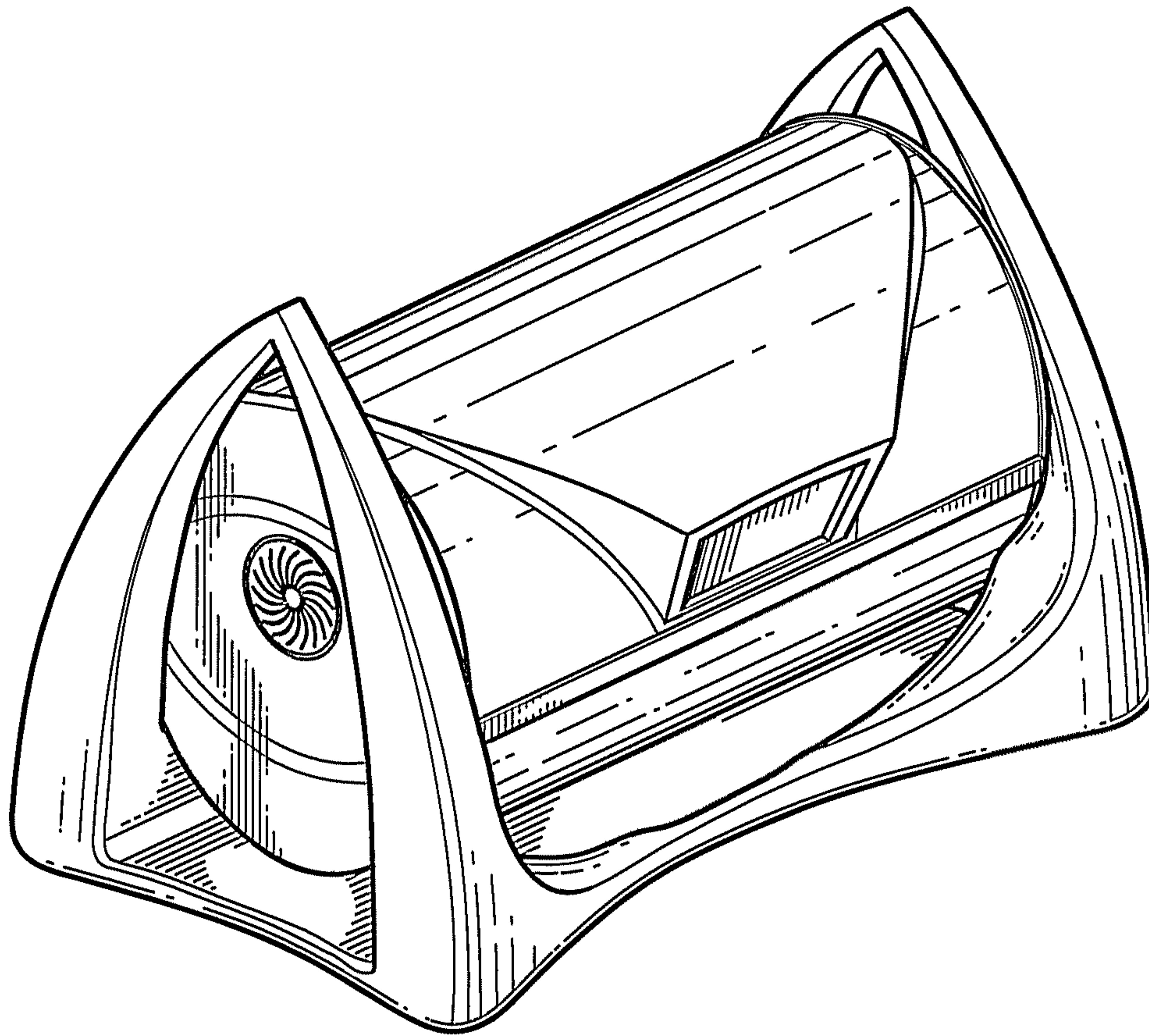


FIG. 1

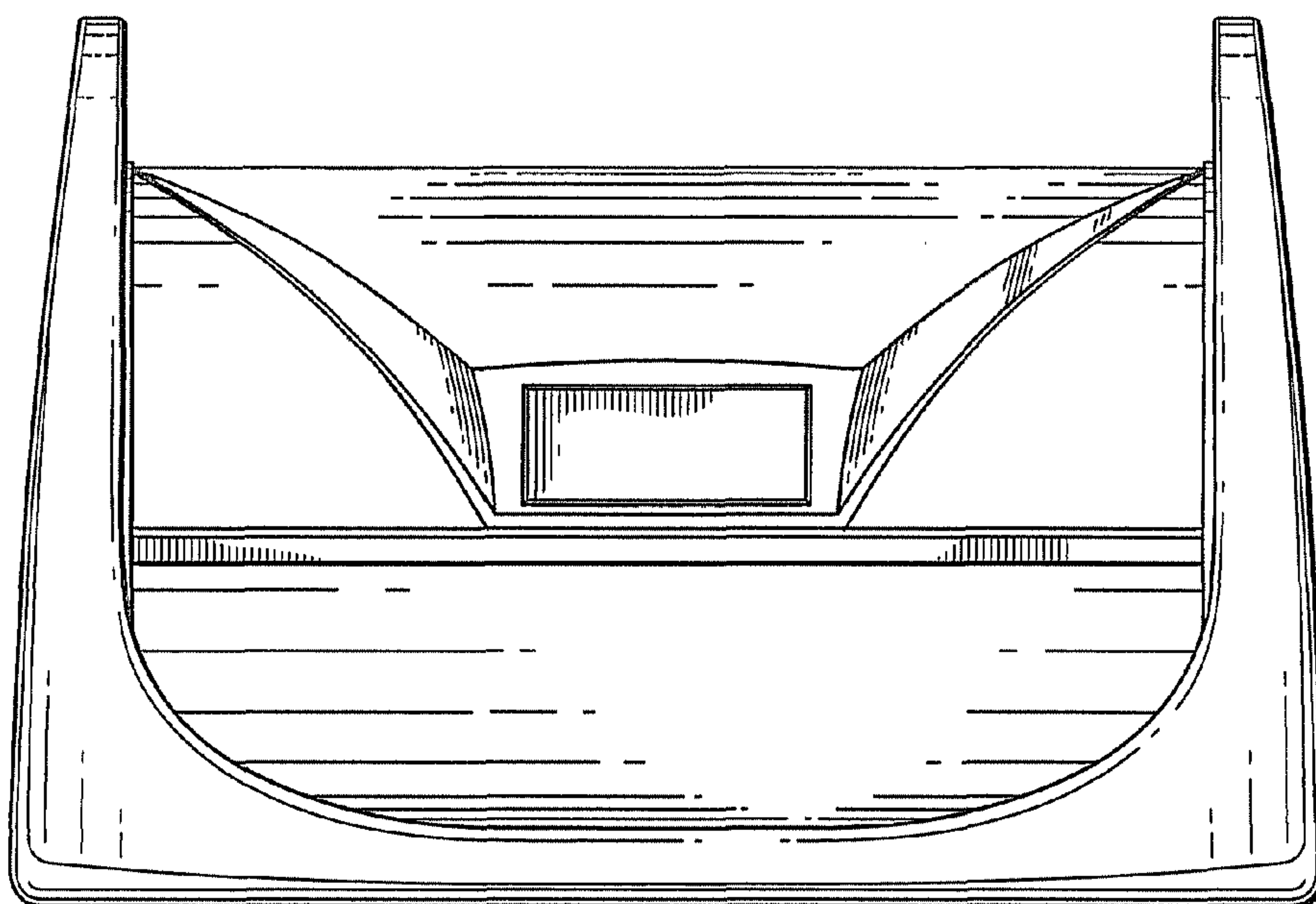


FIG. 2

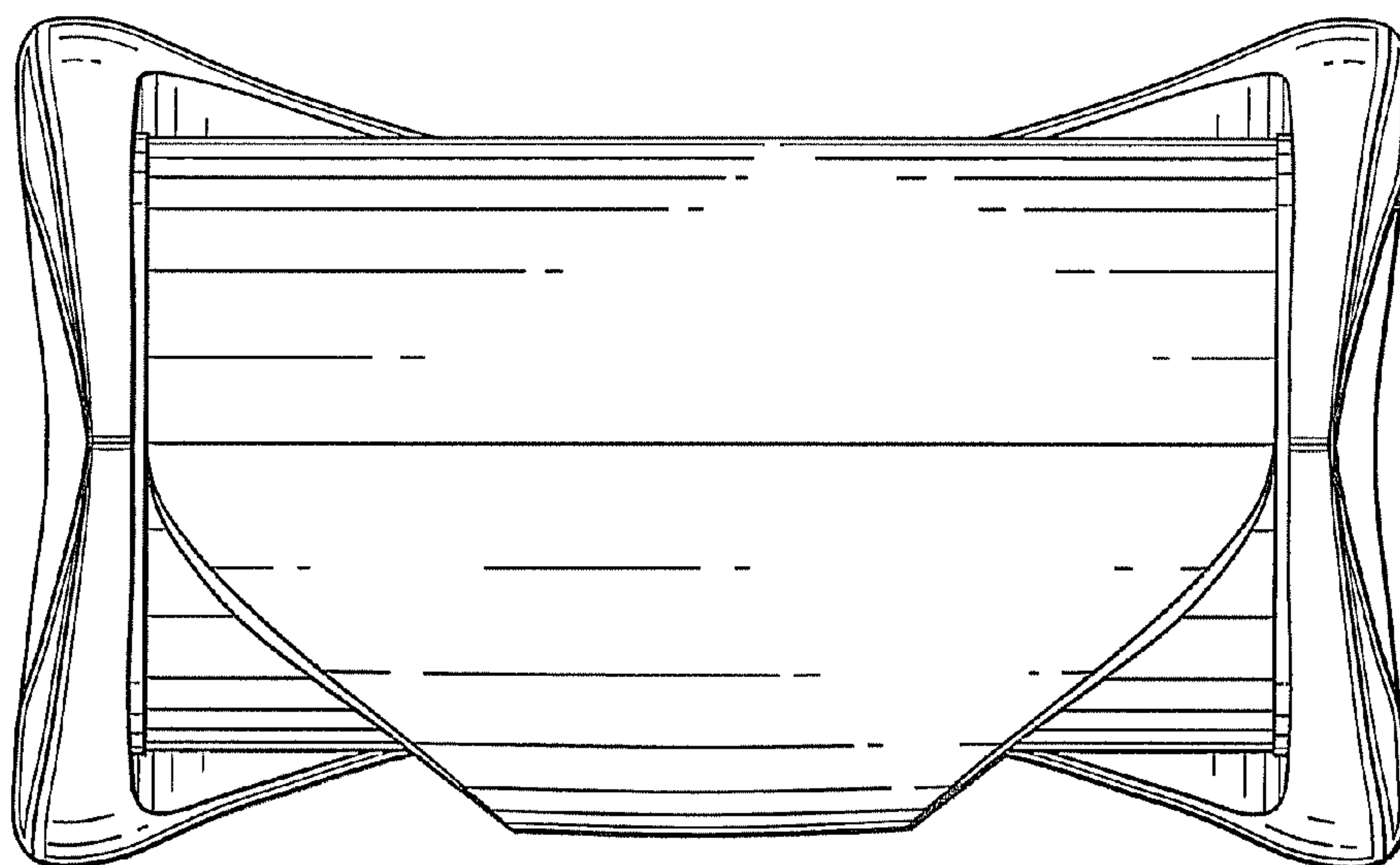


FIG. 3

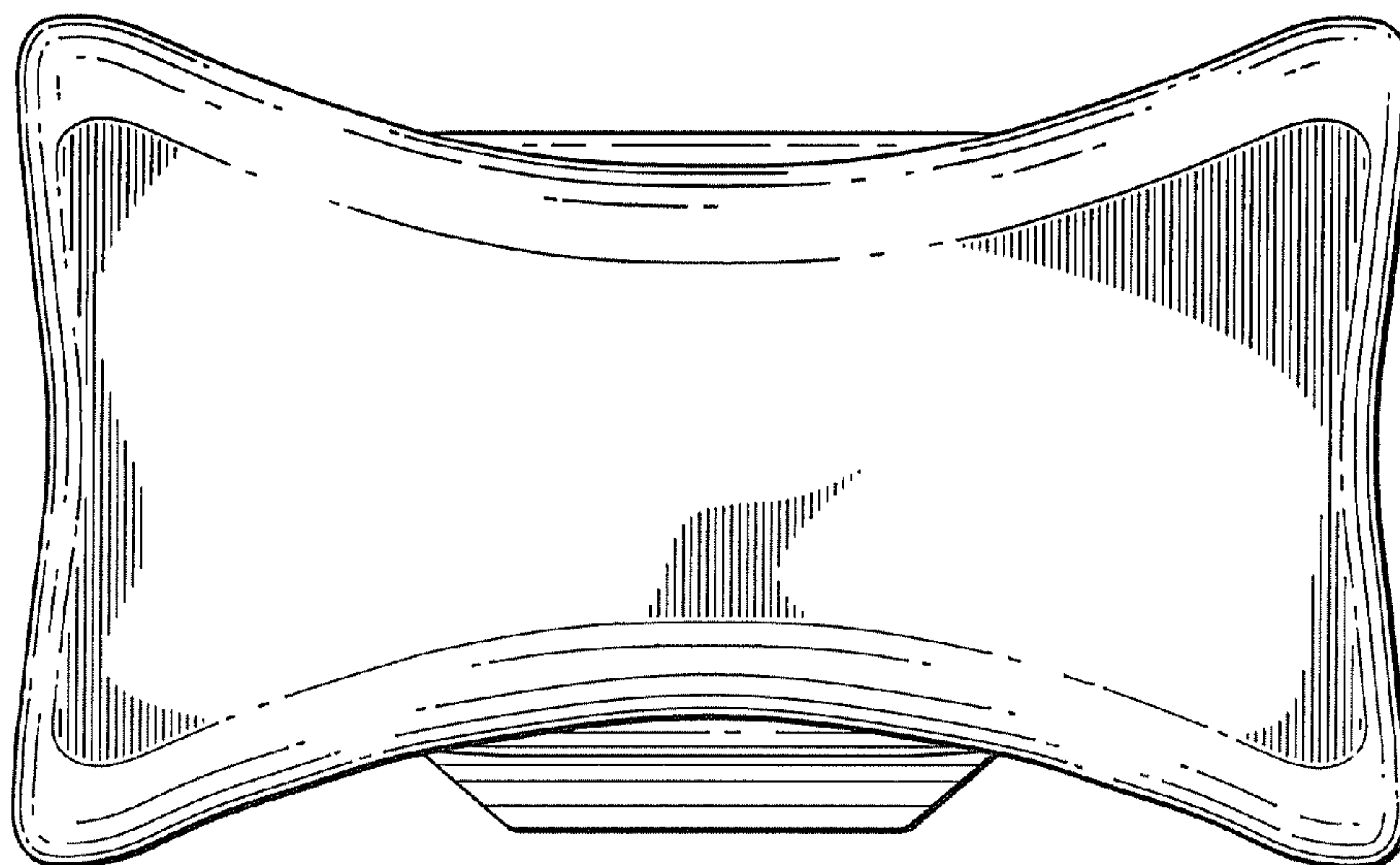


FIG. 4



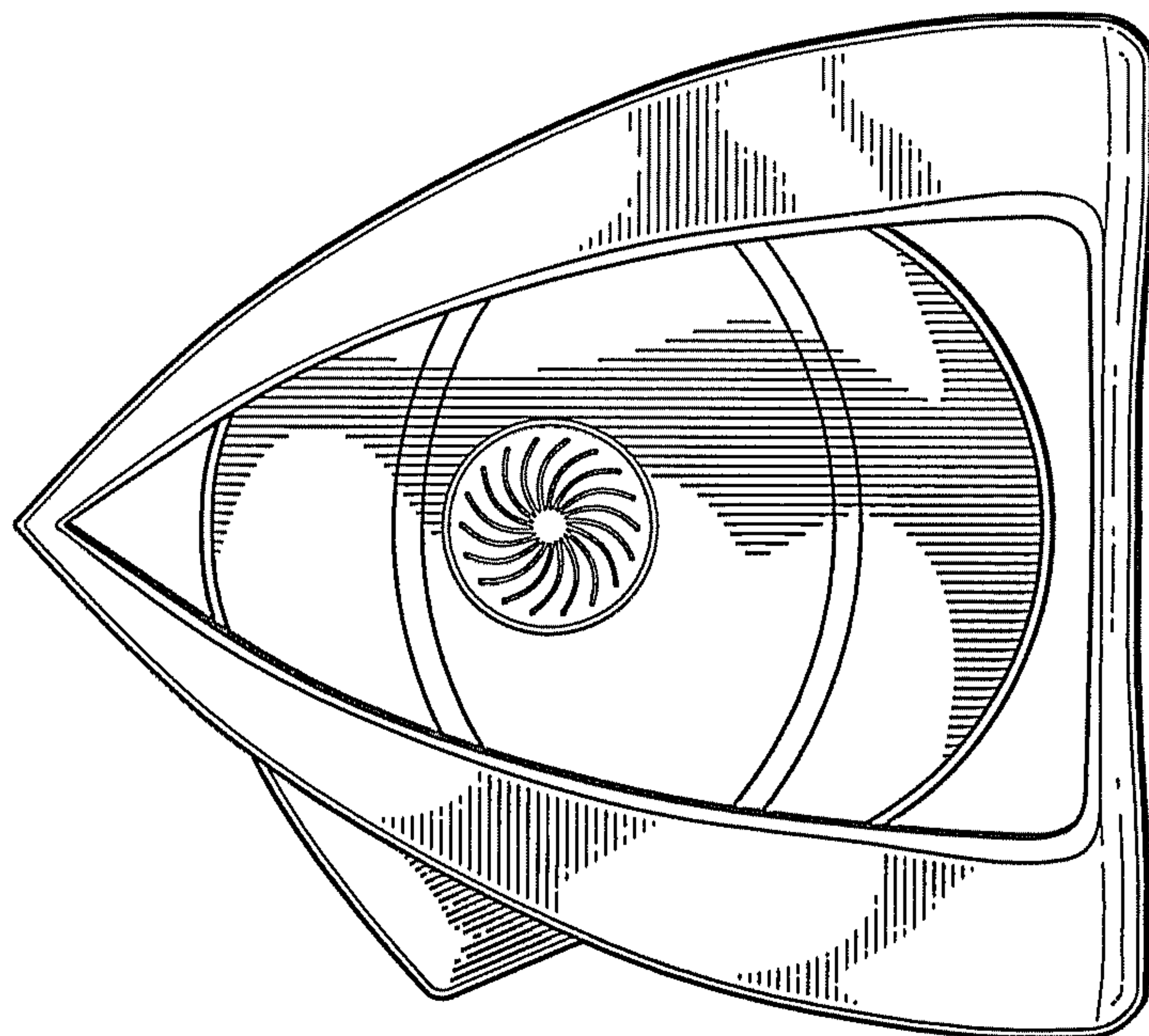


FIG. 5

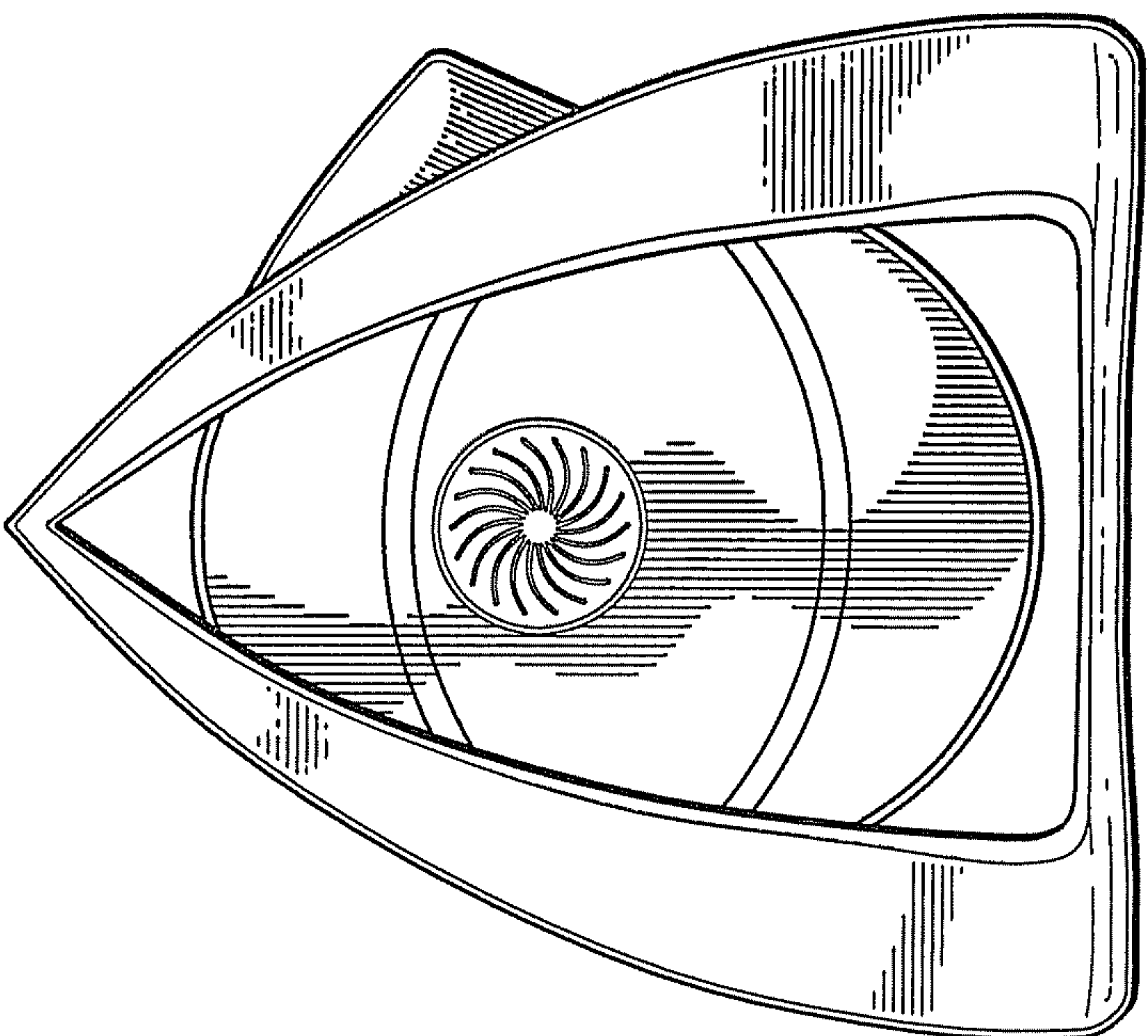


FIG. 6

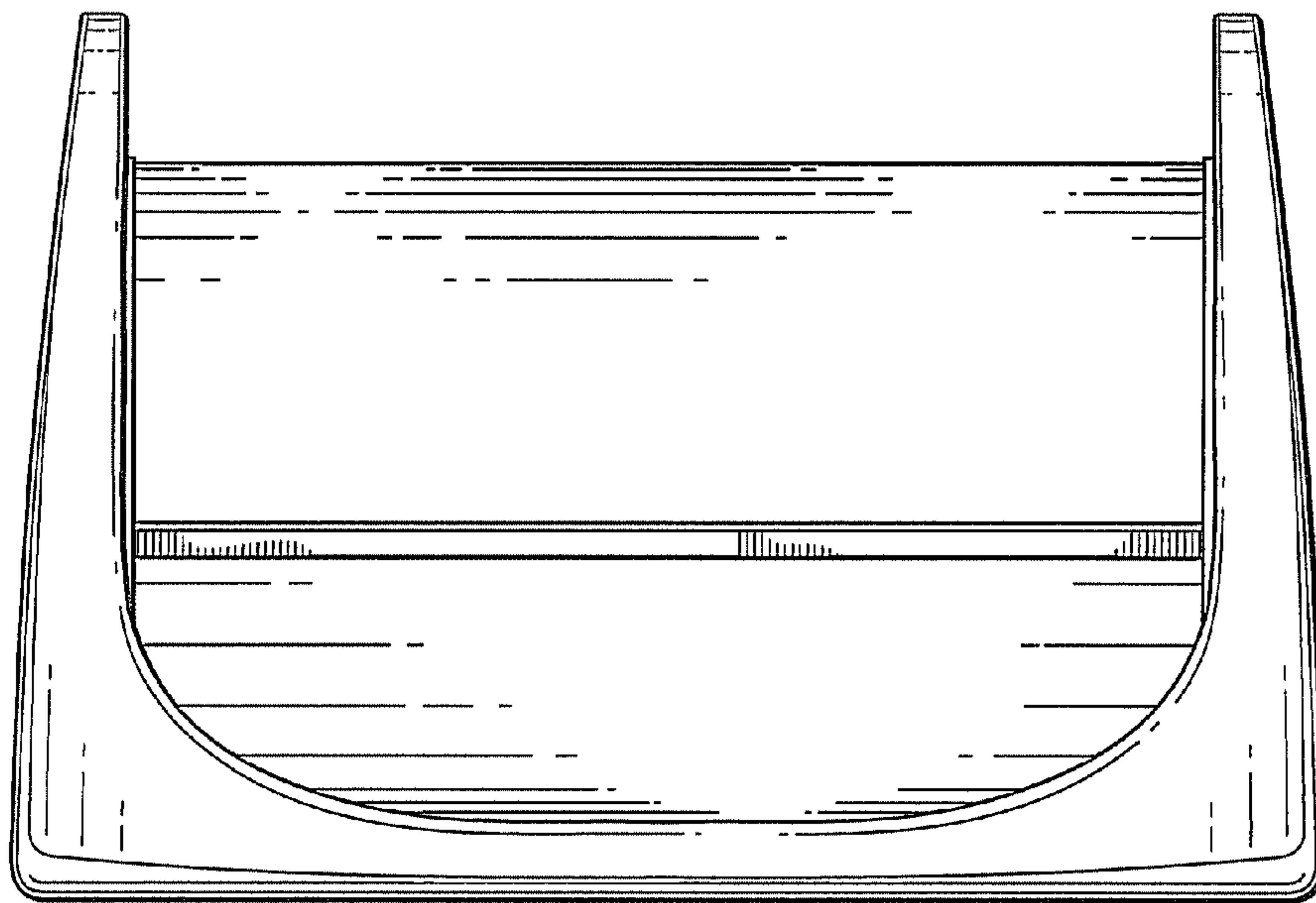


FIG. 7