



US00D703338S

(12) **United States Design Patent**
Walsh et al.

(10) **Patent No.:** **US D703,338 S**
(45) **Date of Patent:** **** Apr. 22, 2014**

(54) **POOL JET FITTING**

(75) Inventors: **Sean Walsh**, Westhampton, NY (US);
James Patrick Mulhern, Nanticoke, PA (US)

(73) Assignee: **Eco-Blu Pool Components LLC**, Forty Fort, PA (US)

(**) Term: **14 Years**

(21) Appl. No.: **29/413,985**

(22) Filed: **Feb. 23, 2012**

(51) **LOC (10) Cl.** **24-02**

(52) **U.S. Cl.**
USPC **D24/201**

(58) **Field of Classification Search**
USPC D24/201, 204, 205, 200; D23/277, 254,
D23/269, 213, 262, 229; 601/154-160, 169,
601/167, 134; 4/541.1-541.6, 547, 578.1,
4/579; 277/606, 626

See application file for complete search history.

(56) **References Cited**

U.S. PATENT DOCUMENTS

D83,420	S	*	2/1931	Baird	D23/262
4,941,217	A	*	7/1990	Tobias et al.	4/541.6
D383,378	S	*	9/1997	Schrader et al.	D23/262
D450,804	S	*	11/2001	Srinath et al.	D24/201
D530,018	S	*	10/2006	Loyd	D24/201
7,246,760	B2	*	7/2007	Marty et al.	4/541.6
D577,100	S	*	9/2008	Brown et al.	D23/213

D598,561	S	*	8/2009	Vogtner et al.	D24/204
D610,226	S	*	2/2010	Yabe et al.	D23/229
D629,116	S	*	12/2010	Barajas et al.	D24/201
D648,836	S	*	11/2011	Drenth	D23/269
8,092,410	B2	*	1/2012	Colin	601/160
D661,372	S	*	6/2012	Zhou et al.	D23/213

OTHER PUBLICATIONS

<http://www.infusionpool.com/Product>; 2 pages; 2011.

* cited by examiner

Primary Examiner — David Muller

(74) *Attorney, Agent, or Firm* — Baker & Hostetler LLP

(57) **CLAIM**

We claim the ornamental design for a pool jet fitting, as shown and described.

DESCRIPTION

FIG. 1 is a perspective view of a pool jet fitting according to an embodiment of our new design.

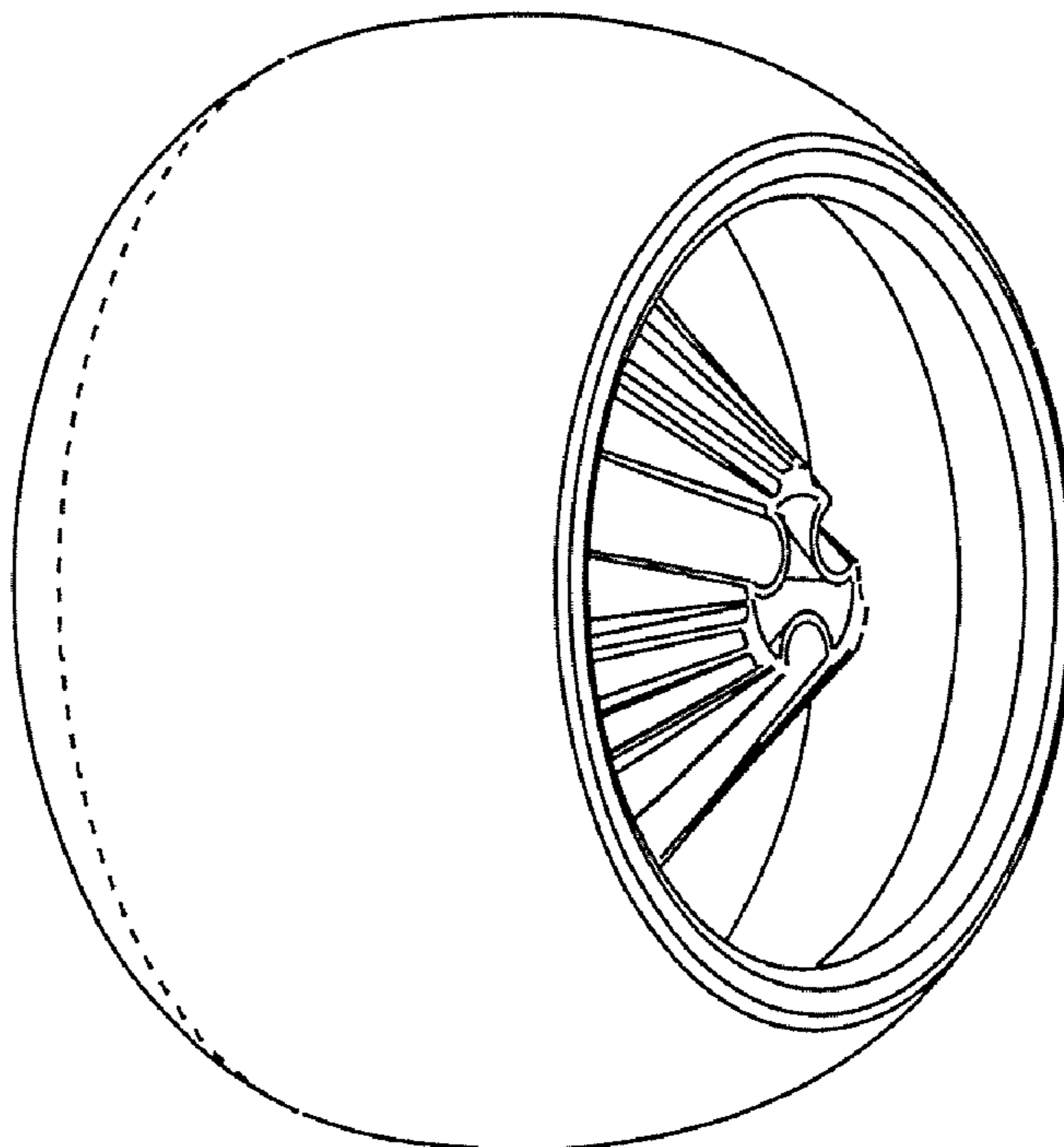
FIG. 2 is a top view thereof, the bottom, left, and right views being identical to the top view.

FIG. 3 is a front view thereof; and,

FIG. 4 is a rear view thereof.

The portions of the drawings appearing in broken line are for environment only and do not form a part of the claimed design.

1 Claim, 2 Drawing Sheets



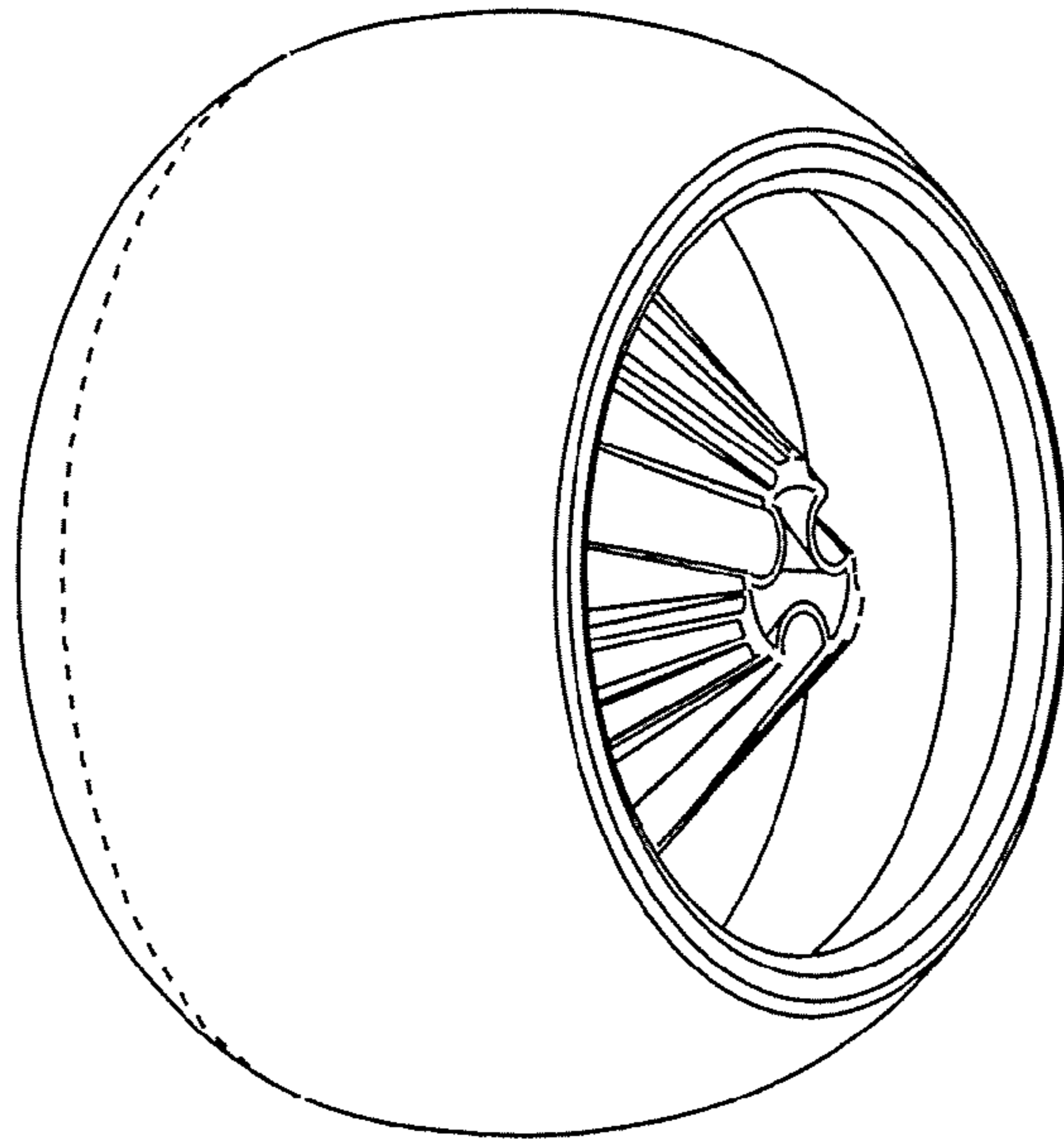


Fig. 1

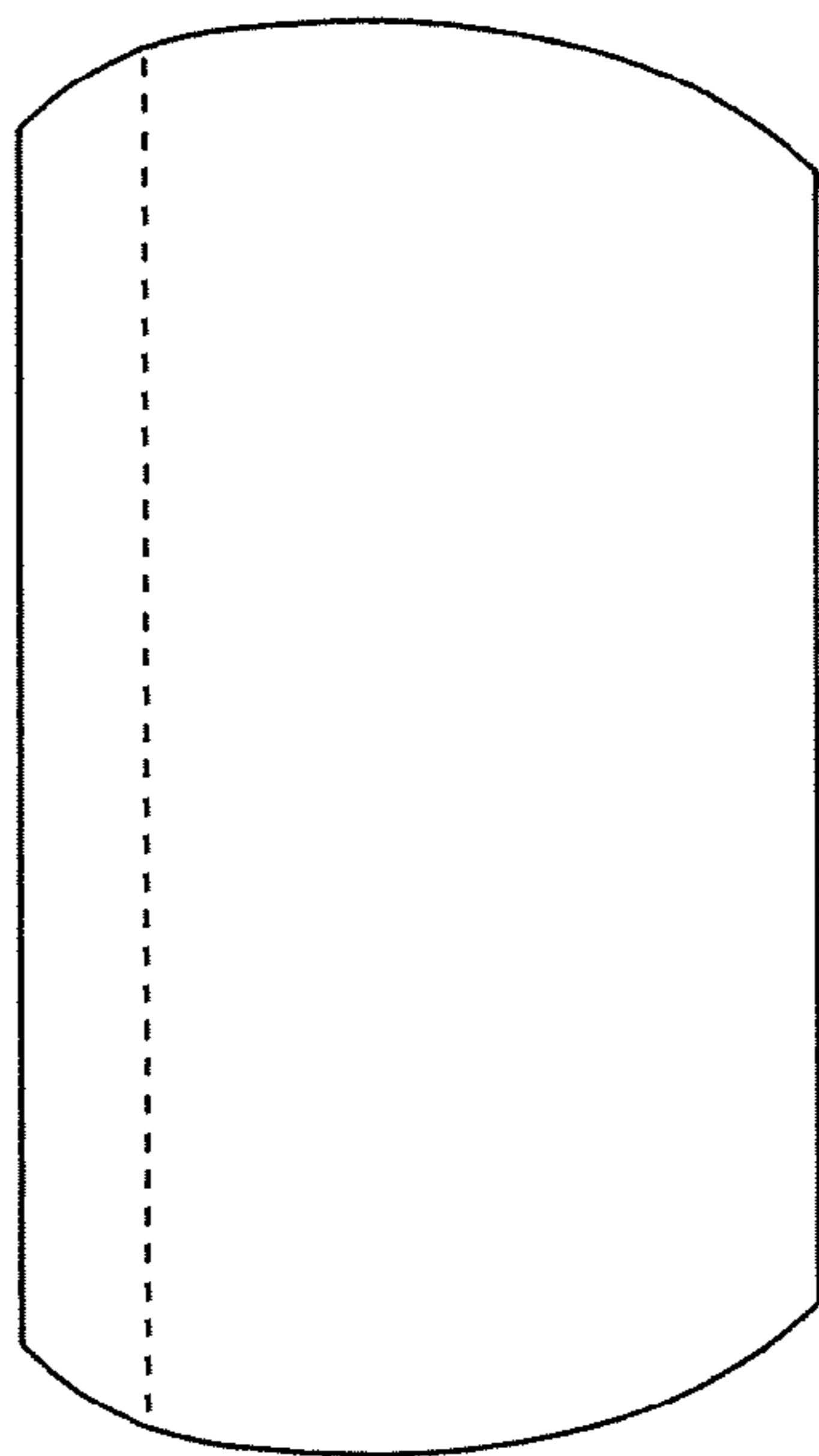


Fig. 2

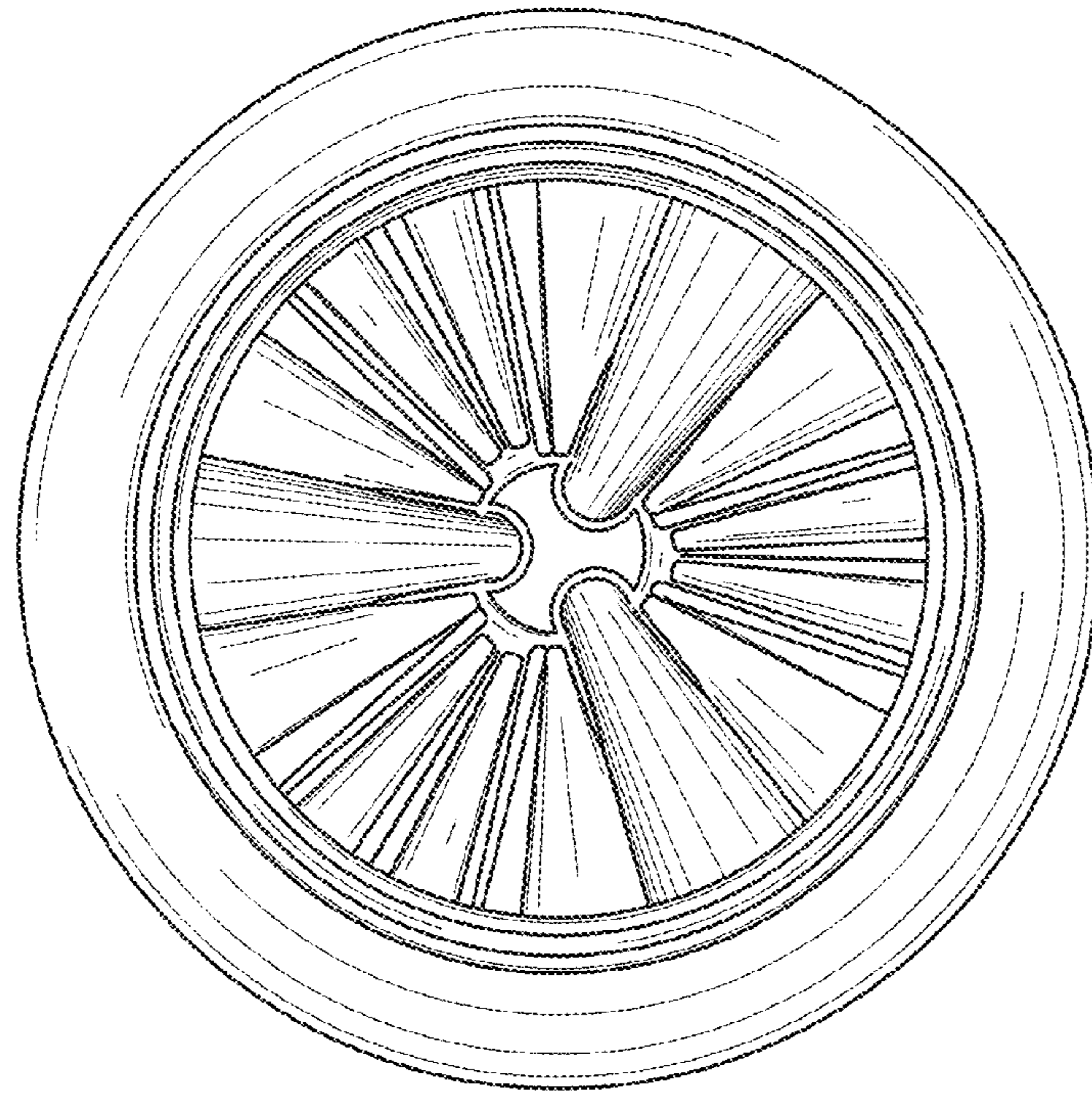


Fig.3

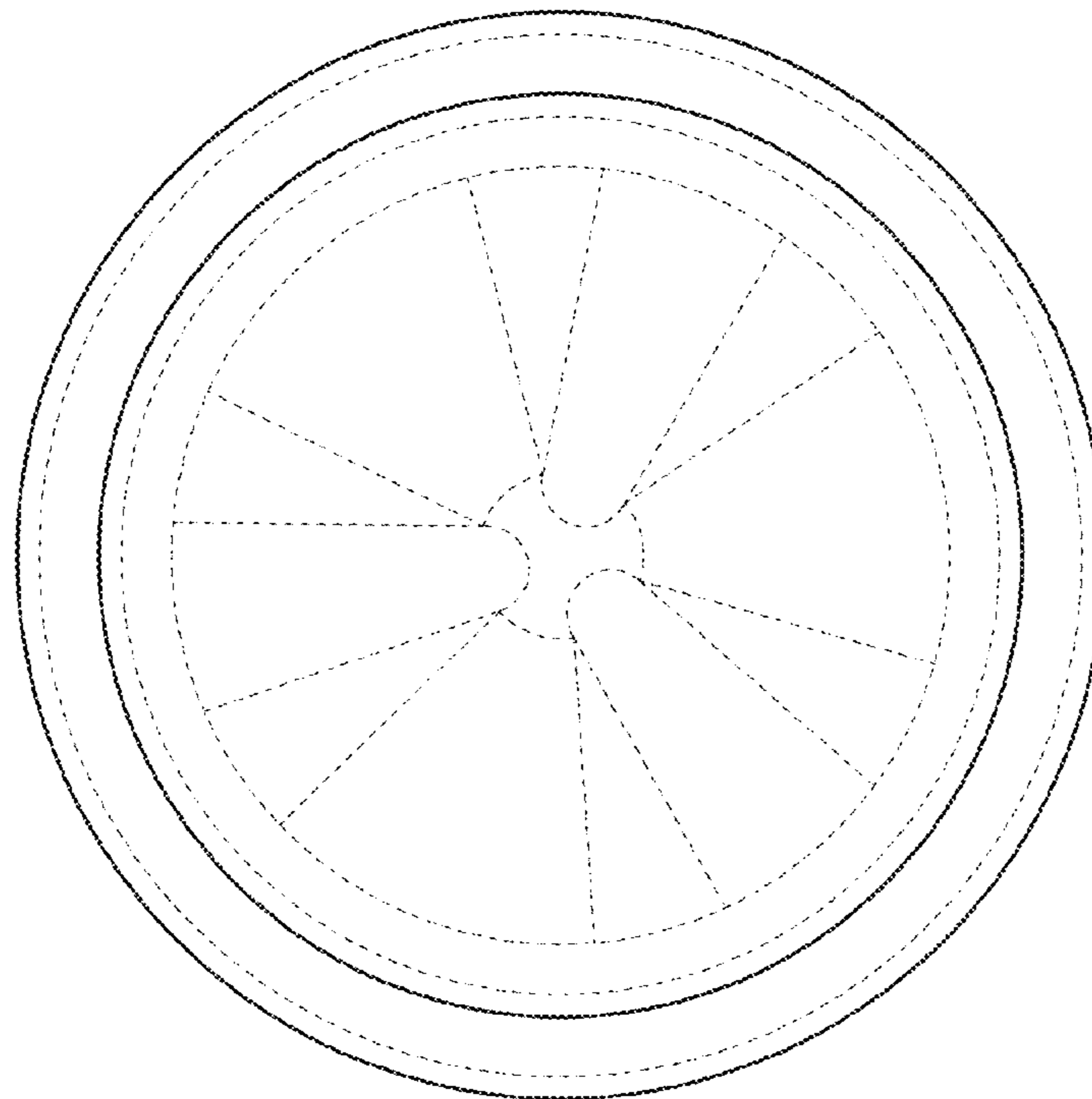


Fig.4