



US00D703331S

(12) **United States Design Patent**
Kitayama

(10) **Patent No.:** **US D703,331 S**

(45) **Date of Patent:** **** Apr. 22, 2014**

(54) **PROBE FOR AN ULTRASONIC DIAGNOSIS APPARATUS**

(71) Applicants: **Kabushiki Kaisha Toshiba**, Tokyo (JP);
Toshiba Medical Systems Corporation,
Otagawa (JP)

(72) Inventor: **Masahiko Kitayama**, Mitaka (JP)

(73) Assignees: **Kabushiki Kaisha Toshiba**, Minato-Ku,
Tokyo (JP); **Toshiba Medical Systems**
Corporation, Otawara-Shi, Tochigi-Ken
(JP)

(**) Term: **14 Years**

(21) Appl. No.: **29/464,666**

(22) Filed: **Aug. 20, 2013**

(30) **Foreign Application Priority Data**

Feb. 21, 2013 (JP) 2013-003517

(51) **LOC (10) Cl.** **24-01**

(52) **U.S. Cl.**
USPC **D24/187**

(58) **Field of Classification Search**

USPC D24/138, 141, 158, 164, 165, 167, 170,
D24/186-187, 133, 144; D10/57, 60, 78,
D10/80; 600/407, 461, 446, 459; 378/98.7,
378/98.8, 189

See application file for complete search history.

(56) **References Cited**

U.S. PATENT DOCUMENTS

4,742,829 A * 5/1988 Law et al. 600/461
D300,175 S * 3/1989 Bar-Yam D24/138
4,841,979 A * 6/1989 Dow et al. 600/446
D304,760 S * 11/1989 Curtis et al. D24/141
D320,078 S * 9/1991 Terwilliger et al. D24/158
D369,307 S * 4/1996 Imling et al. D10/78

D393,311 S * 4/1998 Kirsner D24/141
D455,210 S * 4/2002 Henderson et al. D24/133
7,066,889 B2 * 6/2006 Taylor 600/459
D616,990 S * 6/2010 Suzuki D24/186
D616,992 S * 6/2010 Kitayama D24/186
D623,755 S * 9/2010 Ikegame D24/186
D627,463 S * 11/2010 Voic et al. D24/144
D681,828 S * 5/2013 Shinohara et al. D24/186

FOREIGN PATENT DOCUMENTS

CN 301022413 9/2009
CN 301411622 12/2010
CN 301575548 6/2011
CN 301925649 5/2012
JP 1386760 5/2010

* cited by examiner

Primary Examiner — T. Chase Nelson

Assistant Examiner — Mark Cavanna

(74) *Attorney, Agent, or Firm* — Banner & Witcoff, Ltd

(57) **CLAIM**

The ornamental design for a probe for an ultrasonic diagnosis apparatus, as shown and described.

DESCRIPTION

FIG. 1 is a front, top and left side perspective view of a probe for an ultrasonic diagnosis apparatus, showing my new design;

FIG. 2 is a rear, top and right side perspective view thereof;

FIG. 3 is a front view thereof;

FIG. 4 is a right side view thereof;

FIG. 5 is a left side view thereof;

FIG. 6 is a top view thereof;

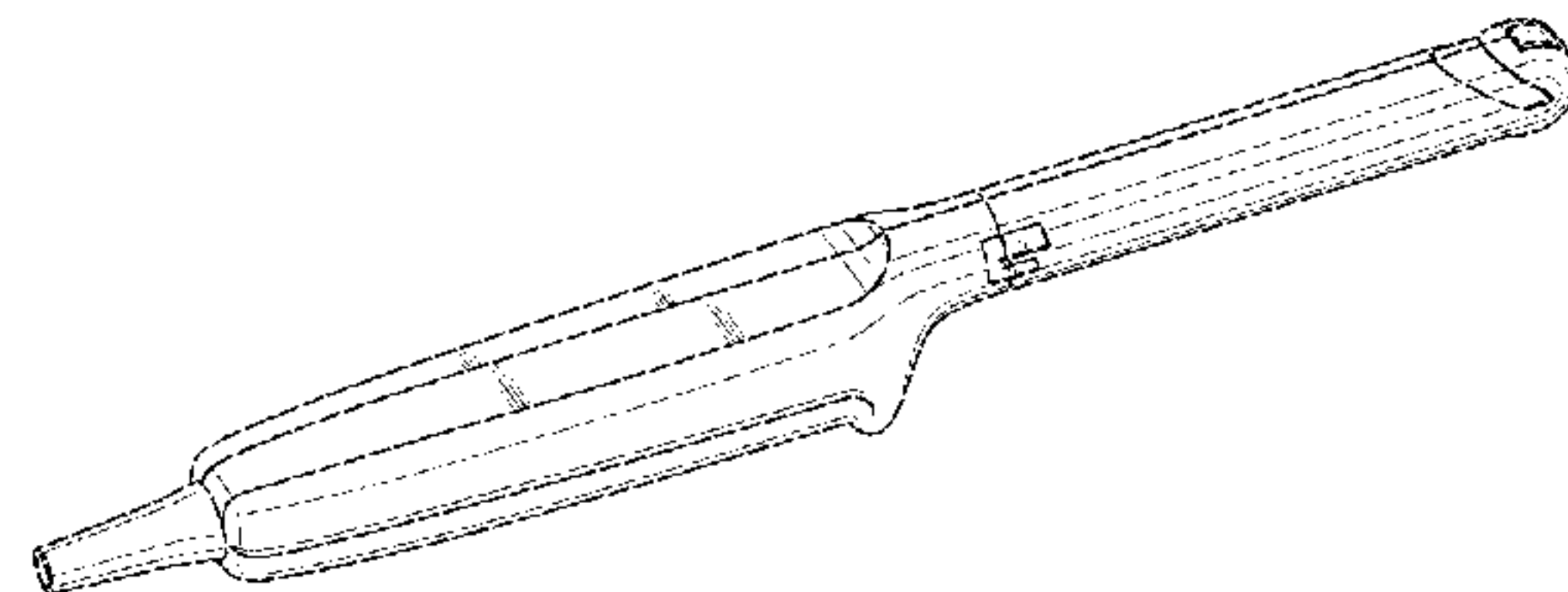
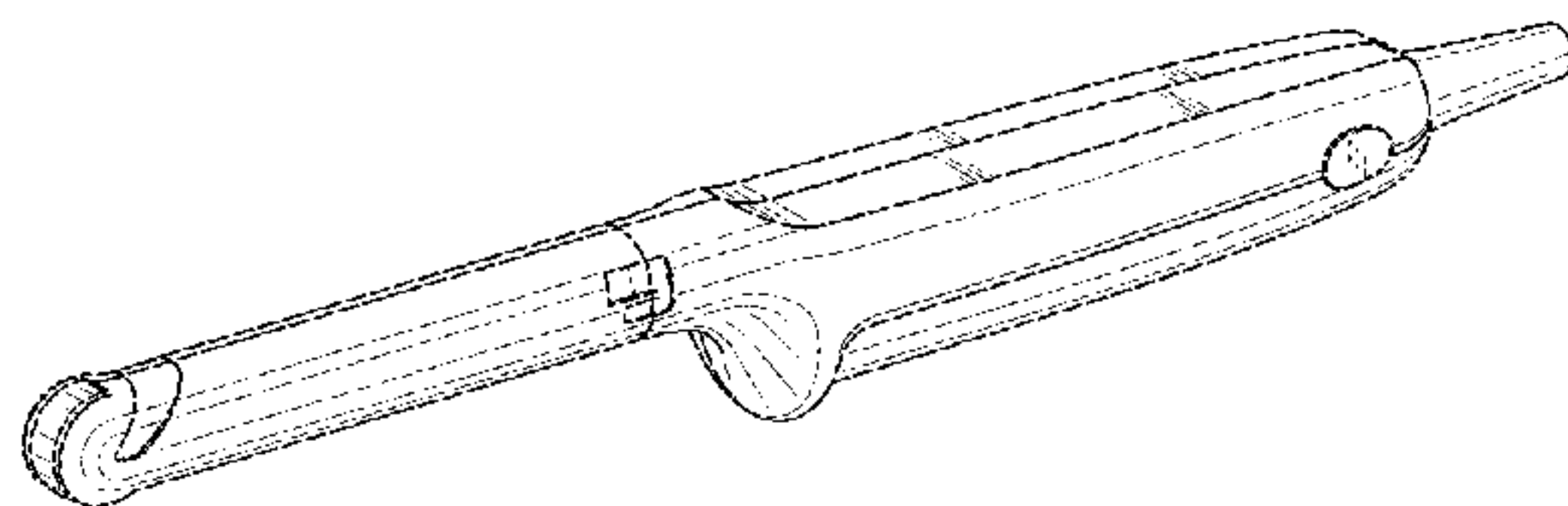
FIG. 7 is a rear view thereof;

FIG. 8 is a bottom view thereof; and,

FIG. 9 is a cross sectional view thereof, taken along the line 9-9 in FIG. 4, with its internal mechanisms omitted.

The broken lines shown in FIG. 9 are for environmental purposes only and form no part of the claimed design.

1 Claim, 4 Drawing Sheets



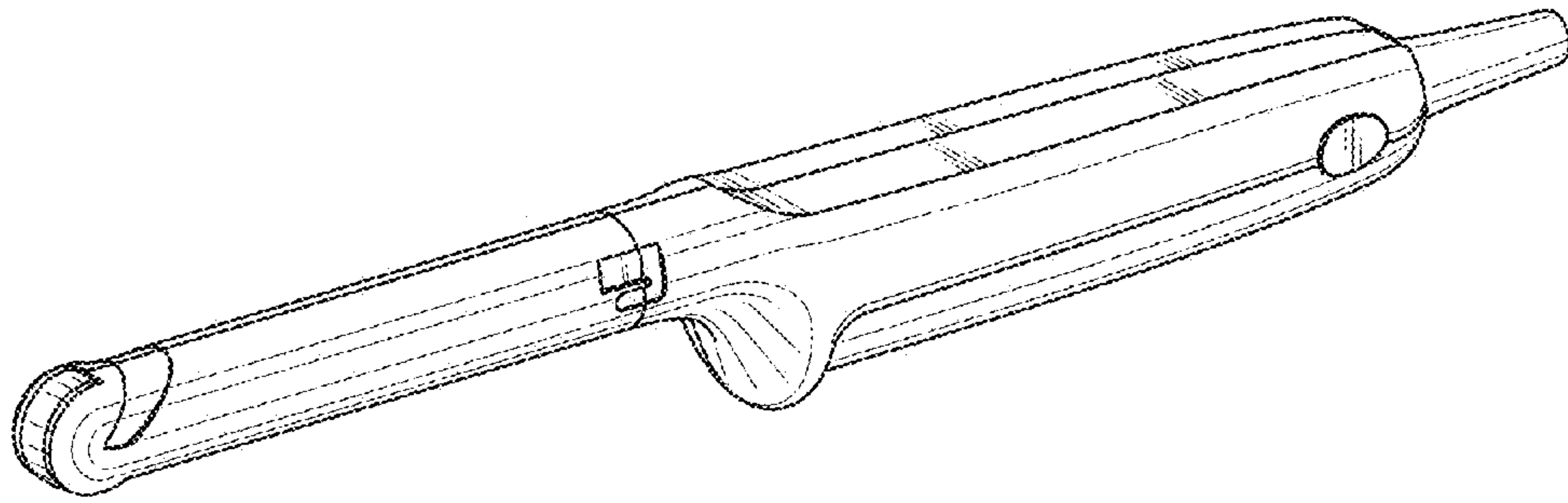


FIG. 1

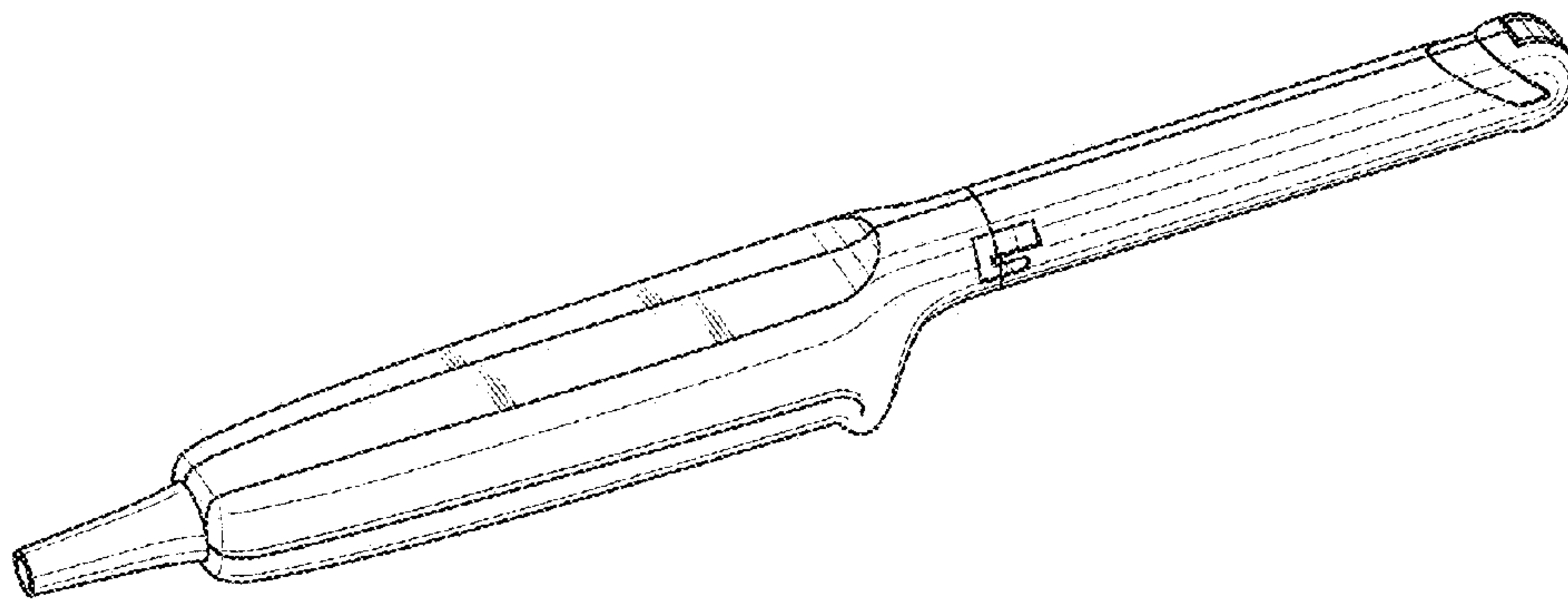


FIG. 2

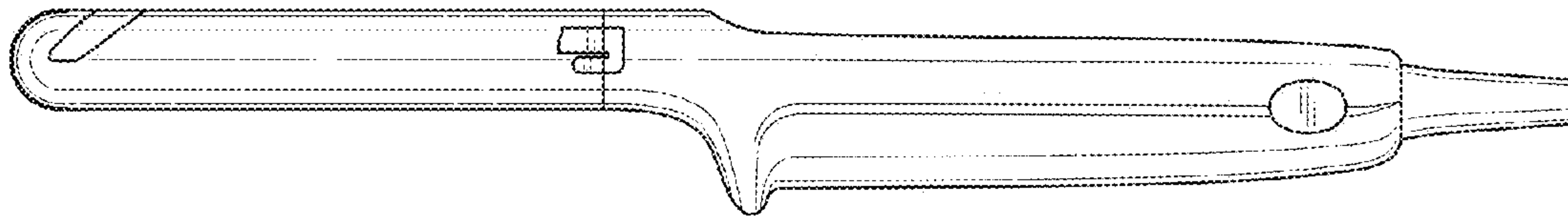


FIG. 3

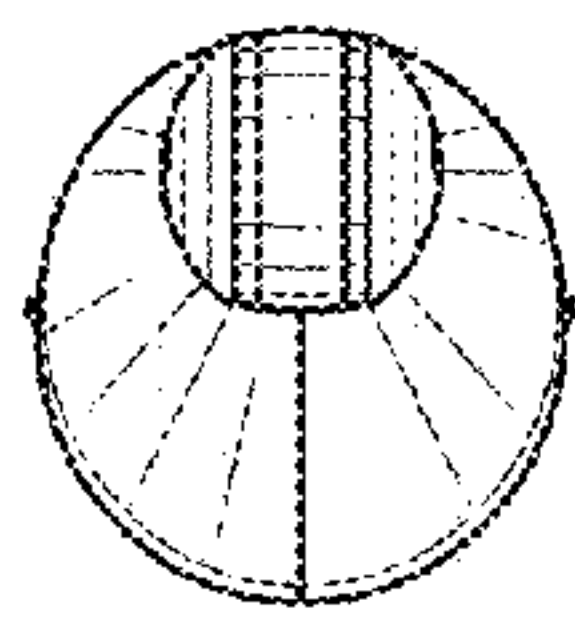


FIG. 5

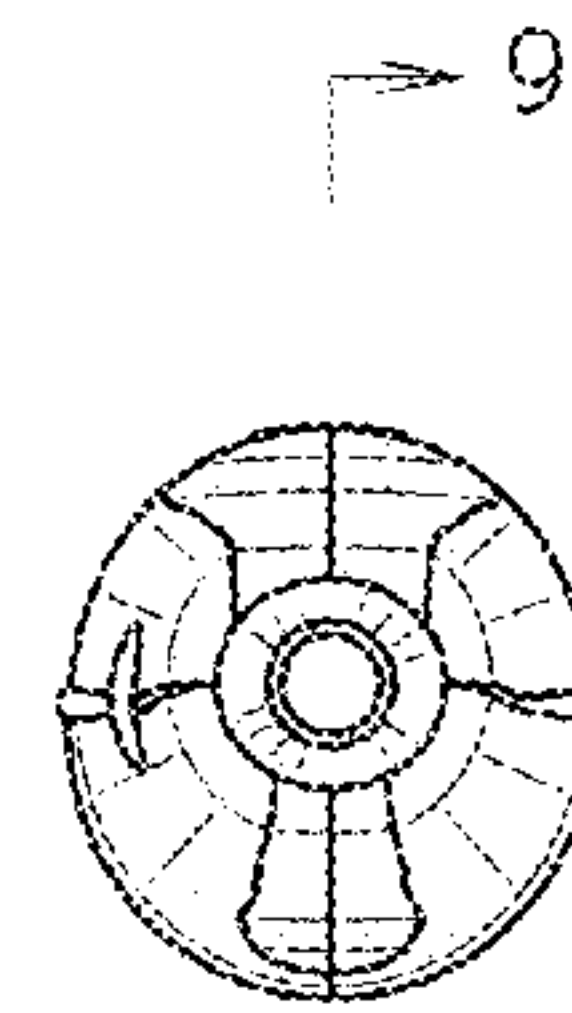


FIG. 4

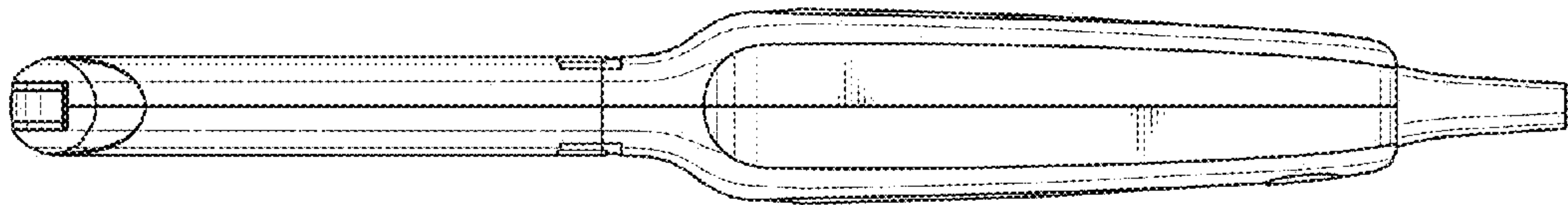


FIG. 6

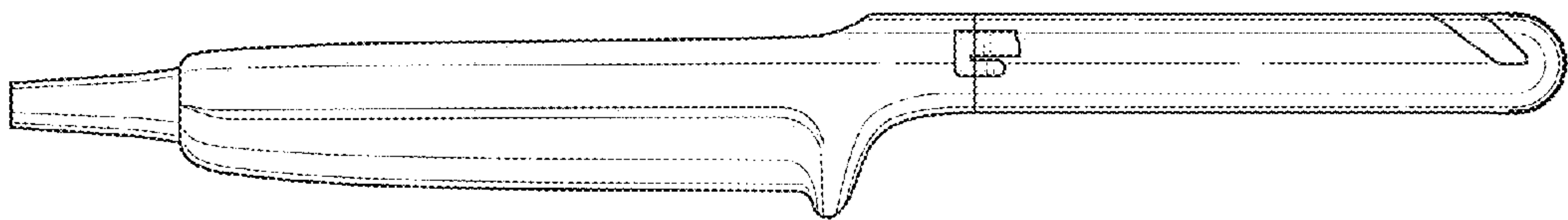


FIG. 7

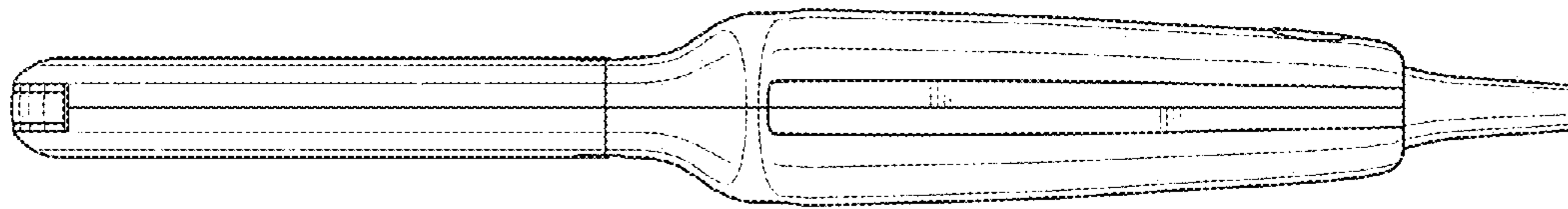


FIG. 8

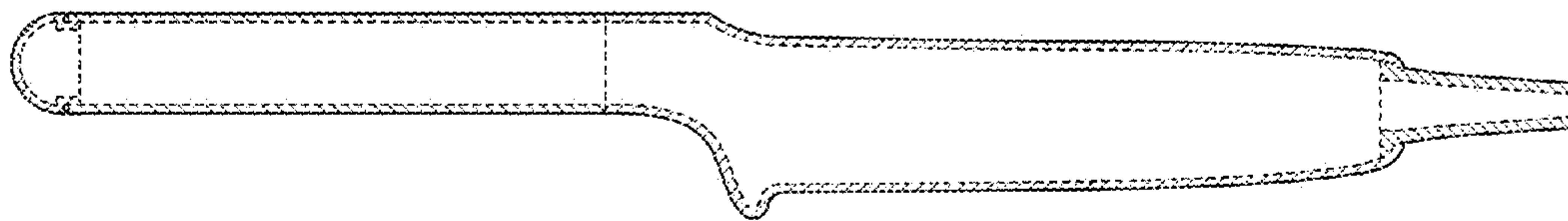


FIG. 9