



US00D703329S

(12) **United States Design Patent**
Worcester

(10) **Patent No.:** **US D703,329 S**
(45) **Date of Patent:** **** Apr. 22, 2014**

- (54) **COMPACT WHEELED MEDICAL EQUIPMENT STAND**
- (71) Applicant: **Norman Charles Worcester**, Dana Point, CA (US)
- (72) Inventor: **Norman Charles Worcester**, Dana Point, CA (US)

D325,440 S	4/1992	Landis	
5,135,191 A	8/1992	Schmuhl	
D367,530 S	2/1996	Stith	
D385,348 S	10/1997	Ward	
D419,674 S *	1/2000	Schattner	D24/128
6,056,249 A *	5/2000	Fillon, Jr.	248/125.7
D626,238 S *	10/2010	Zinnanti	D24/185
D627,063 S	11/2010	West	
D635,663 S *	4/2011	Sung et al.	D24/128
8,292,310 B2 *	10/2012	Turner	280/47.35

(**) Term: **14 Years**

(21) Appl. No.: **29/434,800**

(22) Filed: **Oct. 17, 2012**

(51) **LOC (10) Cl.** **24-00**

(52) **U.S. Cl.**
USPC **D24/185**

(58) **Field of Classification Search**
USPC D24/146, 185, 135, 140, 147, 155, 139, D24/114, 212-213, 192, 215, 130, 133, 171, D24/141, 128; 601/33, 134; 606/900, 86 A, 606/104, 90, 88, 86 R, 324, 295, 288, 68, 606/272, 267, 265, 266, 257, 251, 246, 57, 606/54, 916, 105, 96, 80, 60, 53, 64, 62, 63, 606/66; 128/845, 882, 893; 602/5, 6, 11, 602/12, 30, 40, 39, 28, 29; D29/121.2; 36/93, 94; 408/214; 248/125.1, 125.7

See application file for complete search history.

(56) **References Cited**

U.S. PATENT DOCUMENTS

D252,300 S	7/1979	Pryor
D260,816 S	9/1981	Zissimopoulos
D263,995 S	4/1982	Steele
D281,453 S	11/1985	DiGianfilippo
D308,725 S	6/1990	Kraus
D310,570 S	9/1990	Wells

OTHER PUBLICATIONS

[http://www.medicalexpo.com/prod/uzumcu/telescopic-iv-poles-on-casters-4-hooks-70912-4 . . . *](http://www.medicalexpo.com/prod/uzumcu/telescopic-iv-poles-on-casters-4-hooks-70912-4...)

* cited by examiner

Primary Examiner — Robert M Spear

Assistant Examiner — Rhea Shields

(74) *Attorney, Agent, or Firm* — QuickPatents; Kevin Prince

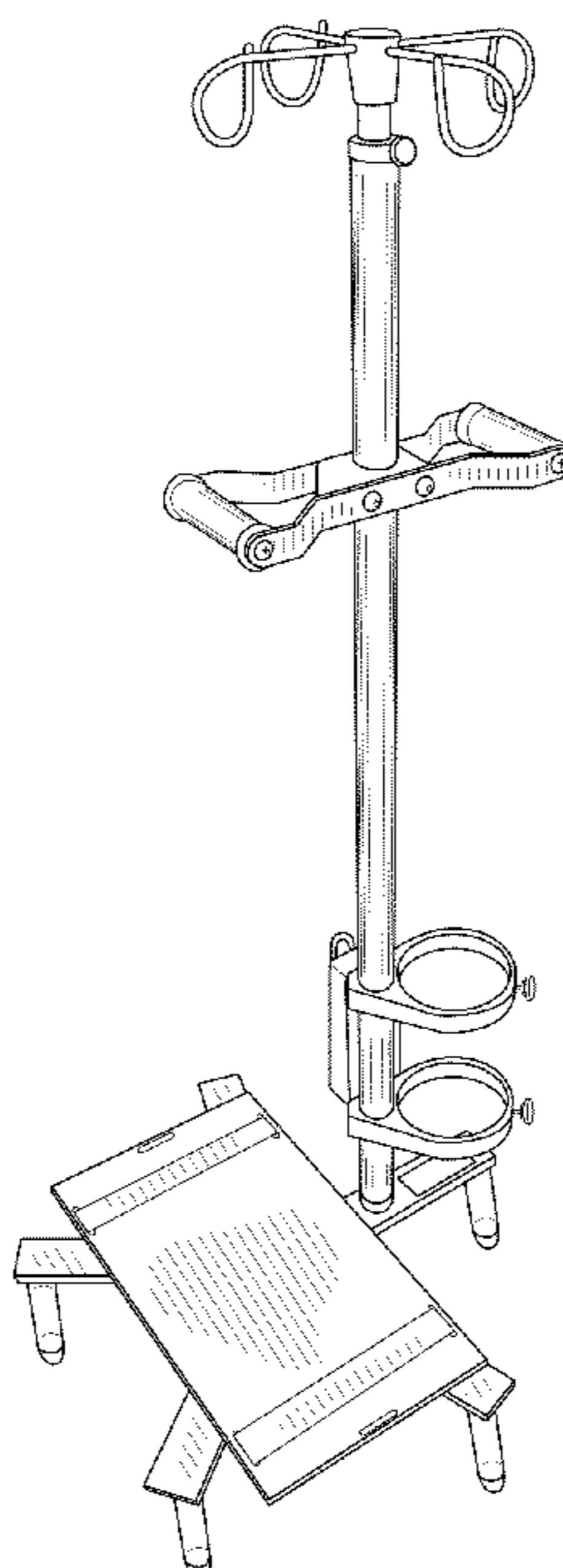
(57) **CLAIM**

I claim the ornamental design for a compact wheeled medical equipment stand, as shown and described.

DESCRIPTION

FIG. 1 is a perspective view of a compact wheeled medical equipment stand, showing my new design; FIG. 2 is a front elevational view thereof; FIG. 3 is a rear elevational view thereof; FIG. 4 is a left-side elevational view thereof; FIG. 5 is a right-side elevational view thereof; FIG. 6 is a top plan view thereof; and, FIG. 7 is a bottom plan view thereof. The broken lines in FIGS. 2 and 7 illustrate unclaimed environment and form no part of the claimed design.

1 Claim, 4 Drawing Sheets



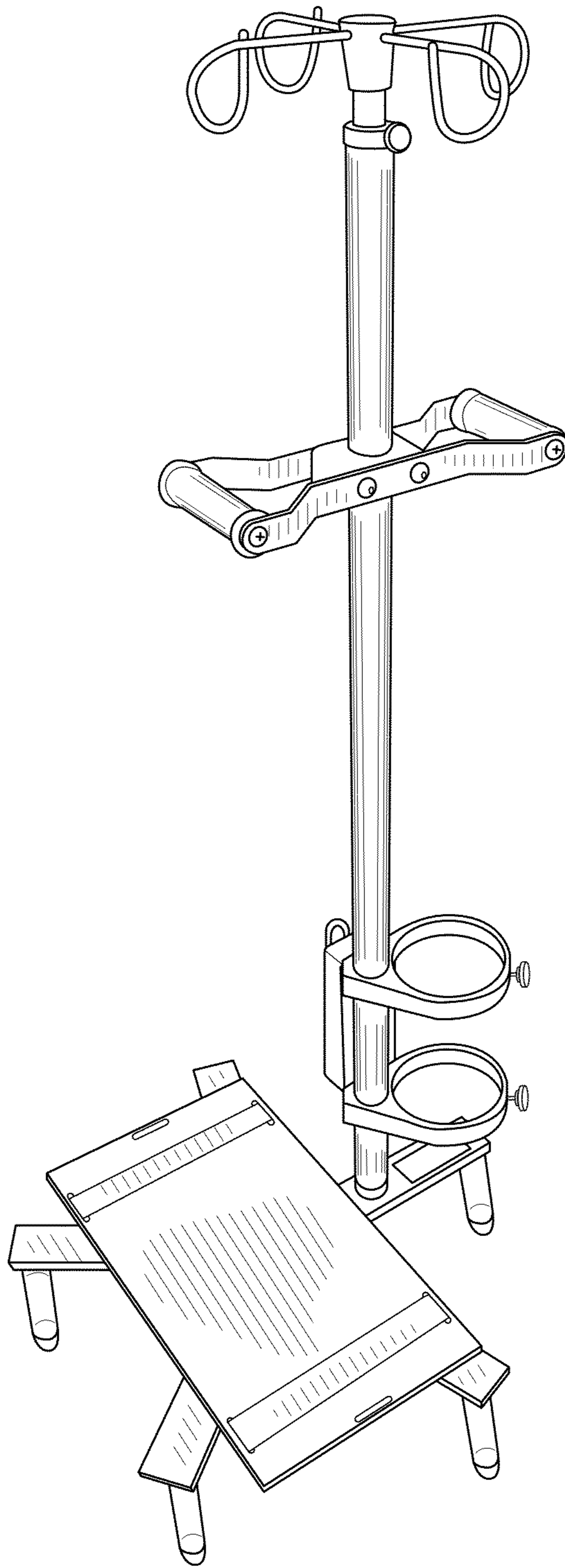


FIG. 1

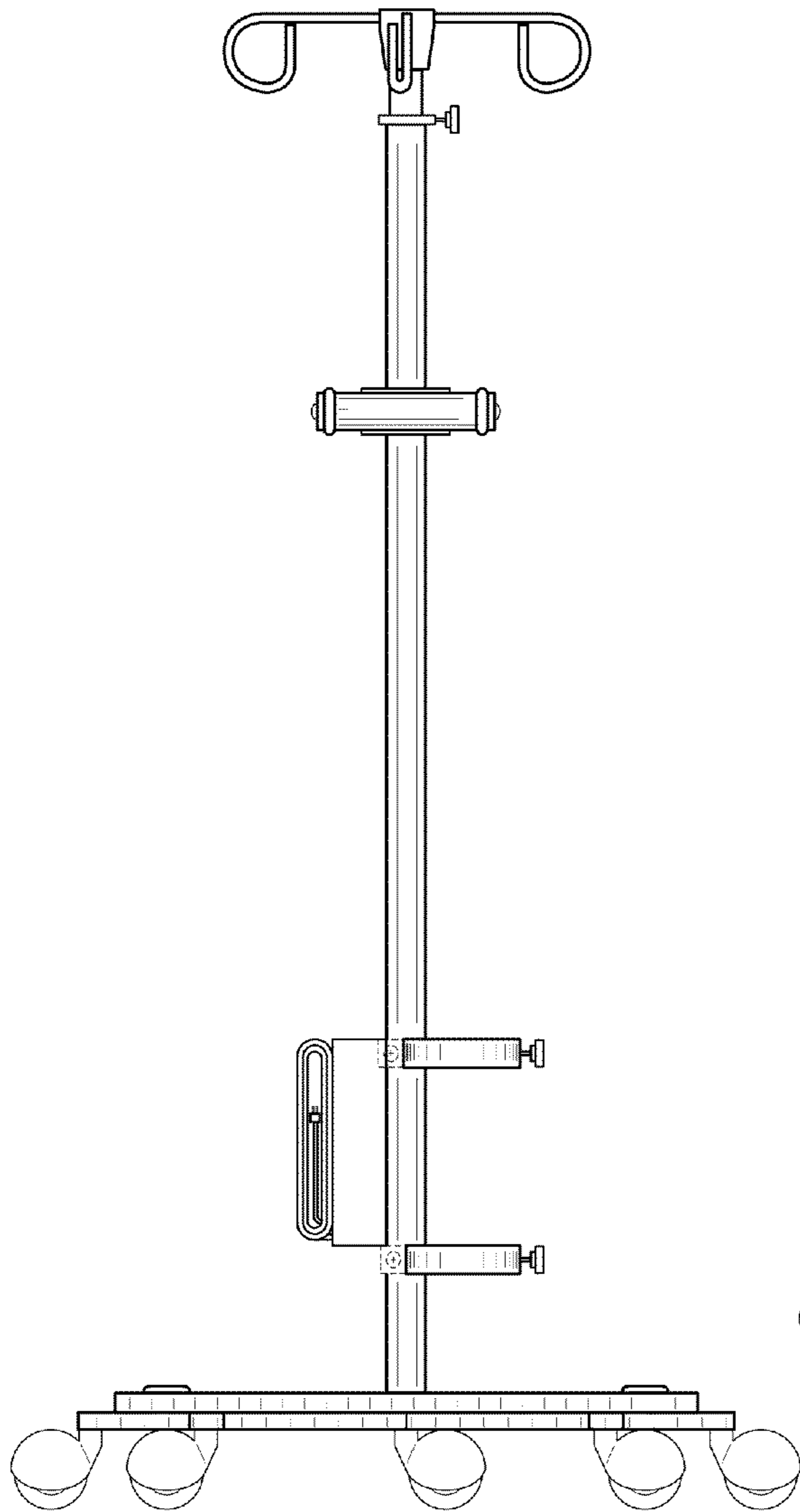


FIG. 2

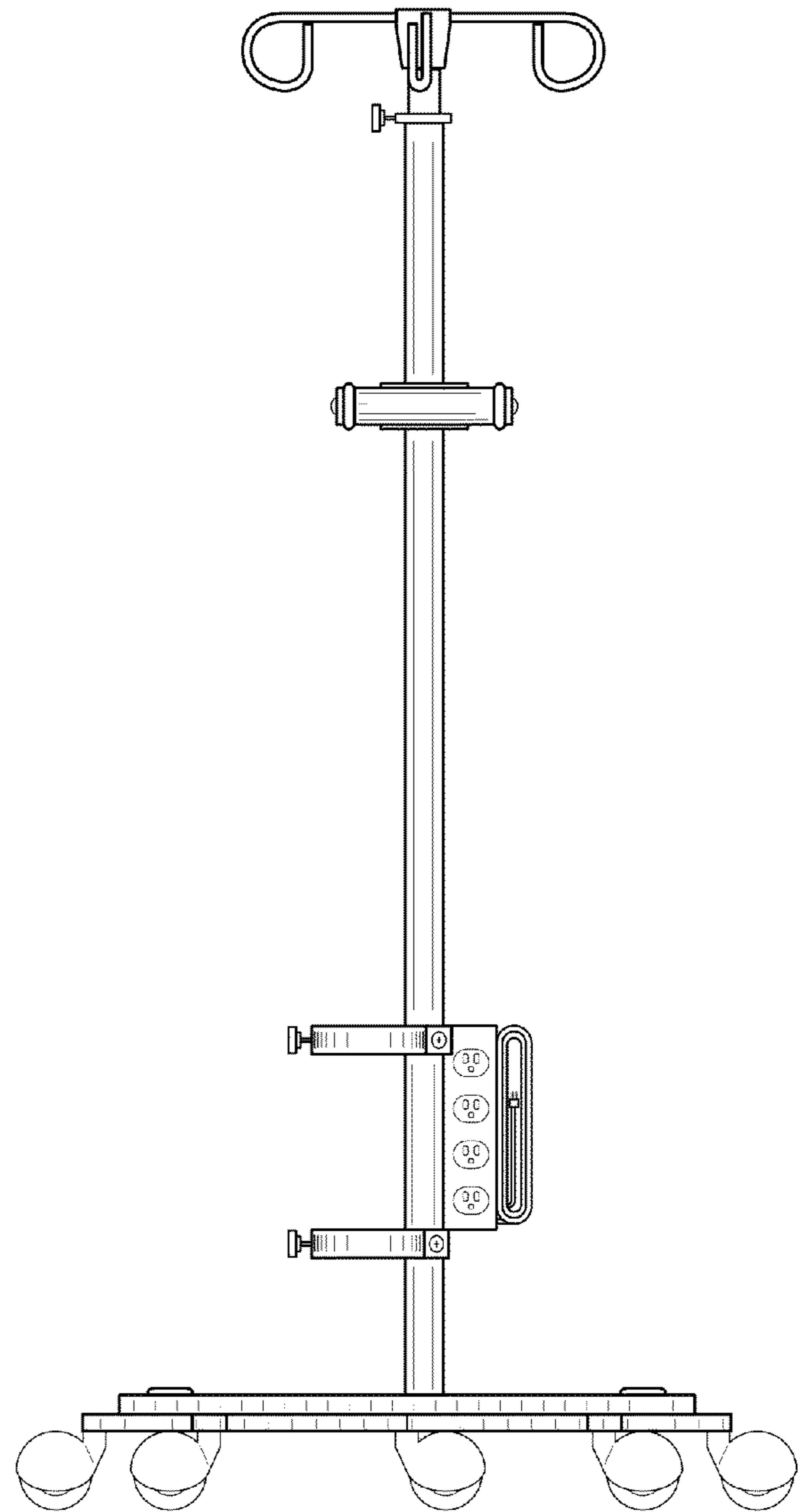


FIG. 3

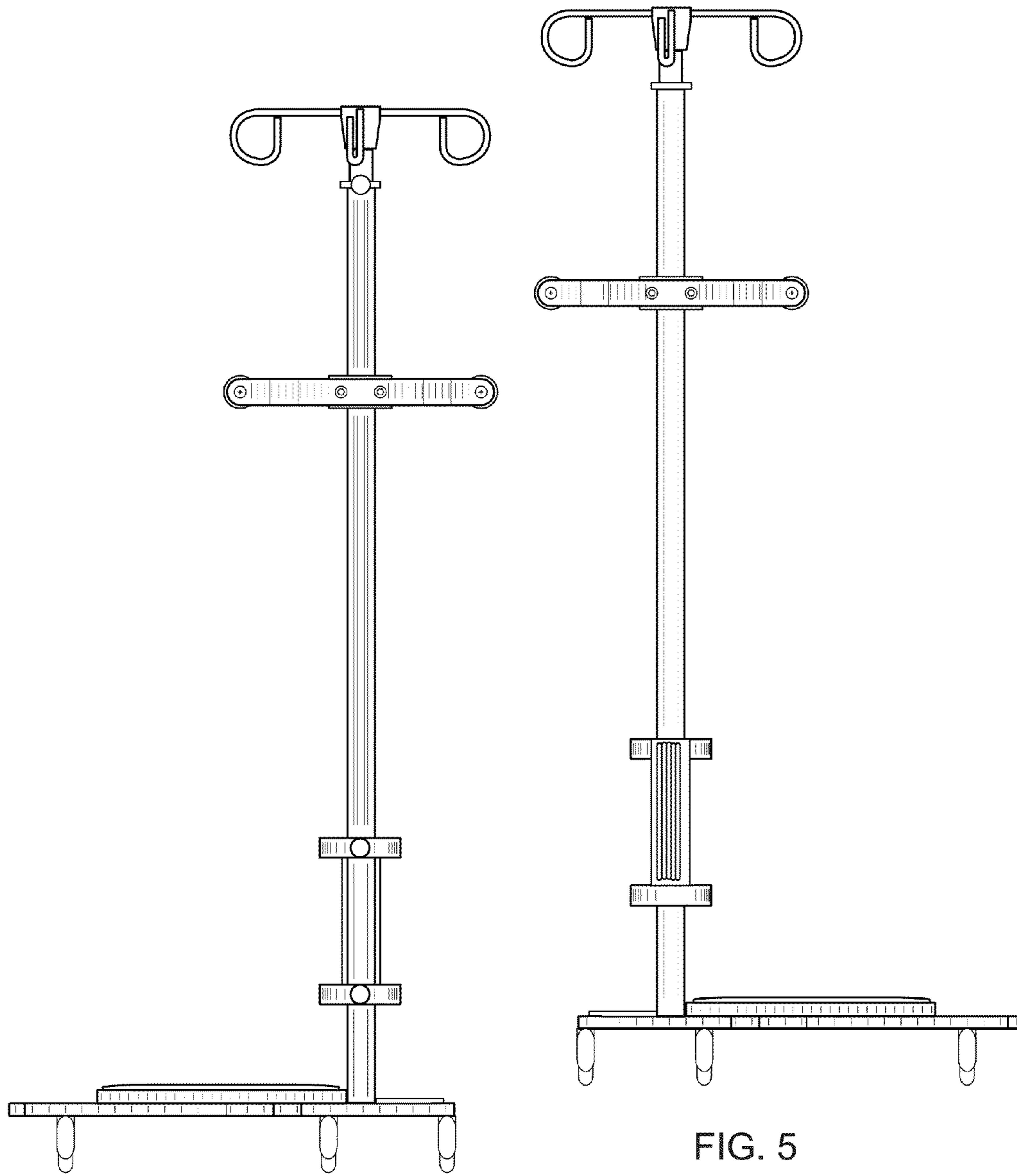


FIG. 4

FIG. 5

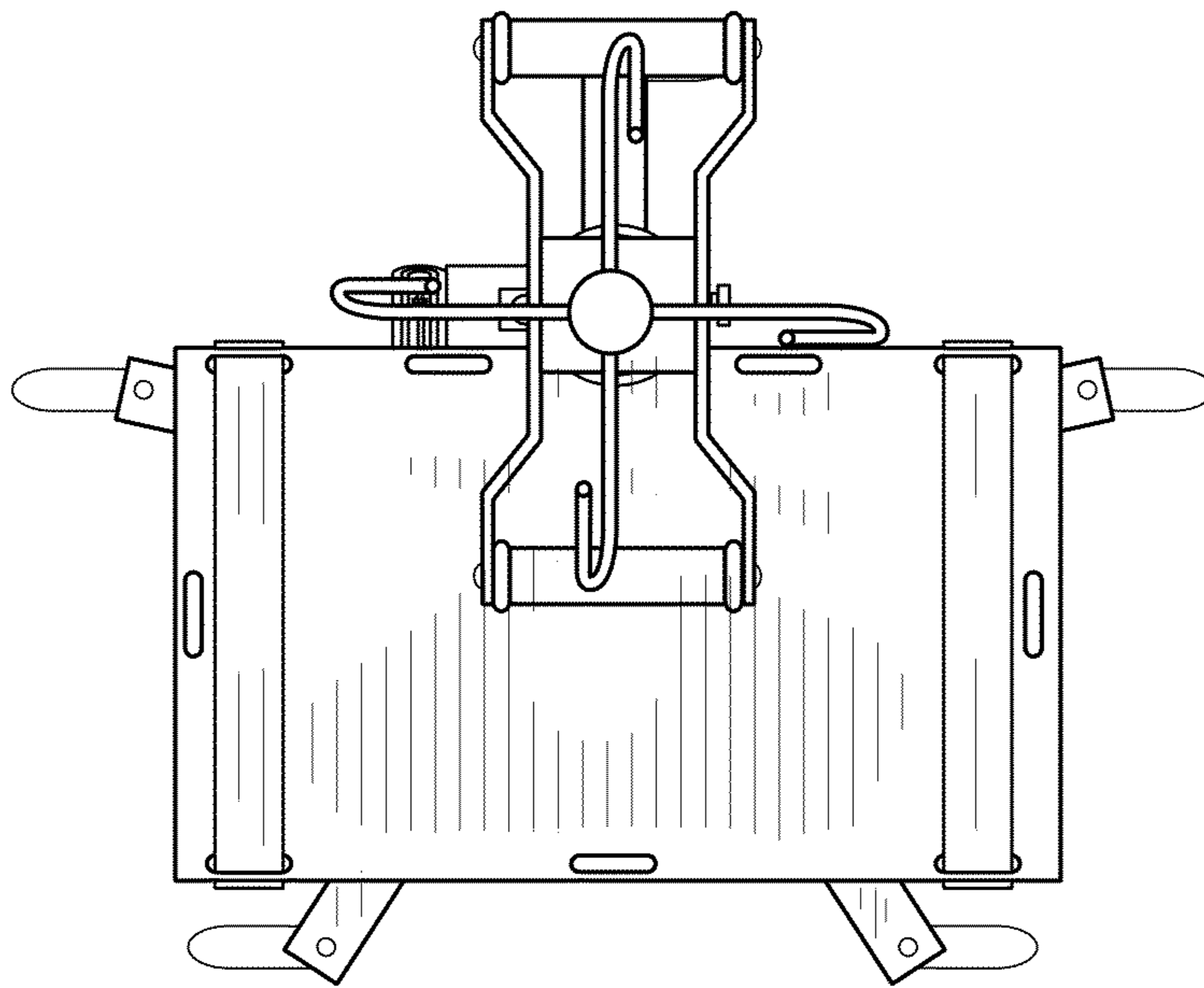


FIG. 6

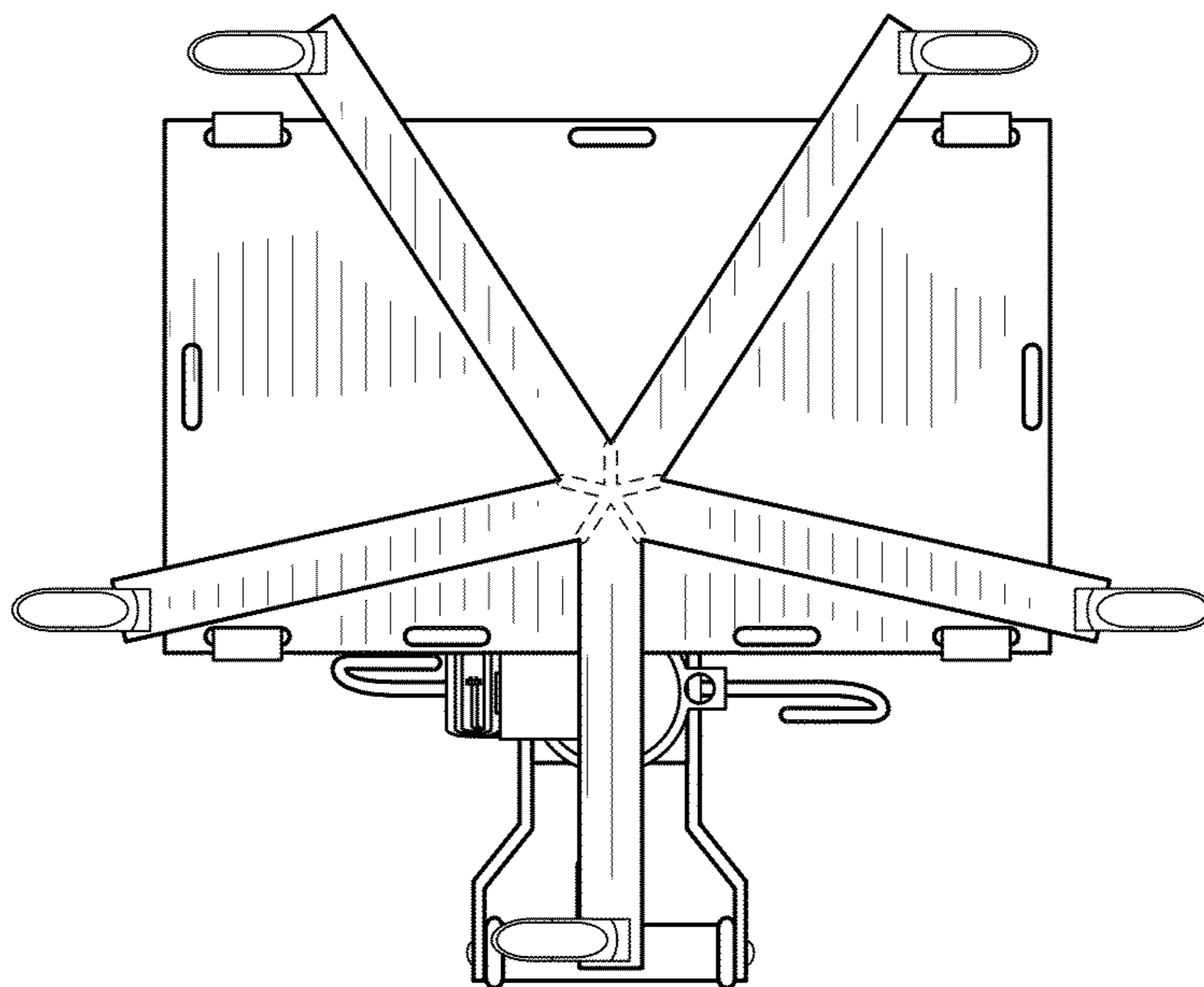


FIG. 7