



US00D703327S

(12) **United States Design Patent**  
**Hayman et al.**

(10) **Patent No.:** **US D703,327 S**

(45) **Date of Patent:** **\*\* Apr. 22, 2014**

(54) **RECEPTOR HOLDING DEVICE**  
(71) Applicant: **Zuma Dental, LLC**, Los Angeles, CA (US)  
(72) Inventors: **Robert Hayman**, Los Angeles, CA (US); **Ekram Khan**, League City, TX (US); **Michael Paloian**, Cold Spring Harbor, NY (US); **Anthony Orchard**, Wantagh, NY (US)

D370,732	S	*	6/1996	Smith	.....	D24/176
5,652,779	A	*	7/1997	Levy et al.	.....	378/170
D406,892	S	*	3/1999	Warren	.....	D24/161
6,592,256	B2	*	7/2003	Da Rold et al.	.....	378/168
D537,943	S	*	3/2007	Schmulenson	.....	D24/158
7,871,199	B2	*	1/2011	Szommer	.....	378/170
8,016,483	B2	*	9/2011	Steward, Jr.	.....	378/170
8,573,844	B2	*	11/2013	Steward et al.	.....	378/170
2006/0245549	A1	*	11/2006	Calderwood et al.	.....	378/191
2010/0027756	A1	*	2/2010	Hof	.....	378/170
2011/0299663	A1	*	12/2011	Steward, Jr.	.....	378/170

\* cited by examiner

(73) Assignee: **Zuma Dental, LLC**, Los Angeles, CA (US)

*Primary Examiner* — Anhdao Doan

(\*\*) Term: **14 Years**

(74) *Attorney, Agent, or Firm* — Quan & Associates; Nancy N. Quan; Christopher N. Quan

(21) Appl. No.: **29/450,023**

(57) **CLAIM**

(22) Filed: **Mar. 15, 2013**

The ornamental design for a receptor holding device, as shown and described.

(51) **LOC (10) Cl.** ..... **24-01**

**DESCRIPTION**

(52) **U.S. Cl.**  
USPC ..... **D24/161**

(58) **Field of Classification Search**  
USPC ..... D24/158–161, 185, 186, 152, 176, 177;  
D8/394, 396; 378/38–40, 169–170,  
378/177, 180, 191, 205  
See application file for complete search history.

FIG. 1 is a front and side perspective view of a receptor holding device embodying our new design;  
FIG. 2 is a back and side perspective view thereof;  
FIG. 3 is front view thereof;  
FIG. 4 is a back view thereof;  
FIG. 5 is a right side view thereof;  
FIG. 6 is a top view thereof;  
FIG. 7 is a left side view; and,  
FIG. 8 is a bottom view thereof.

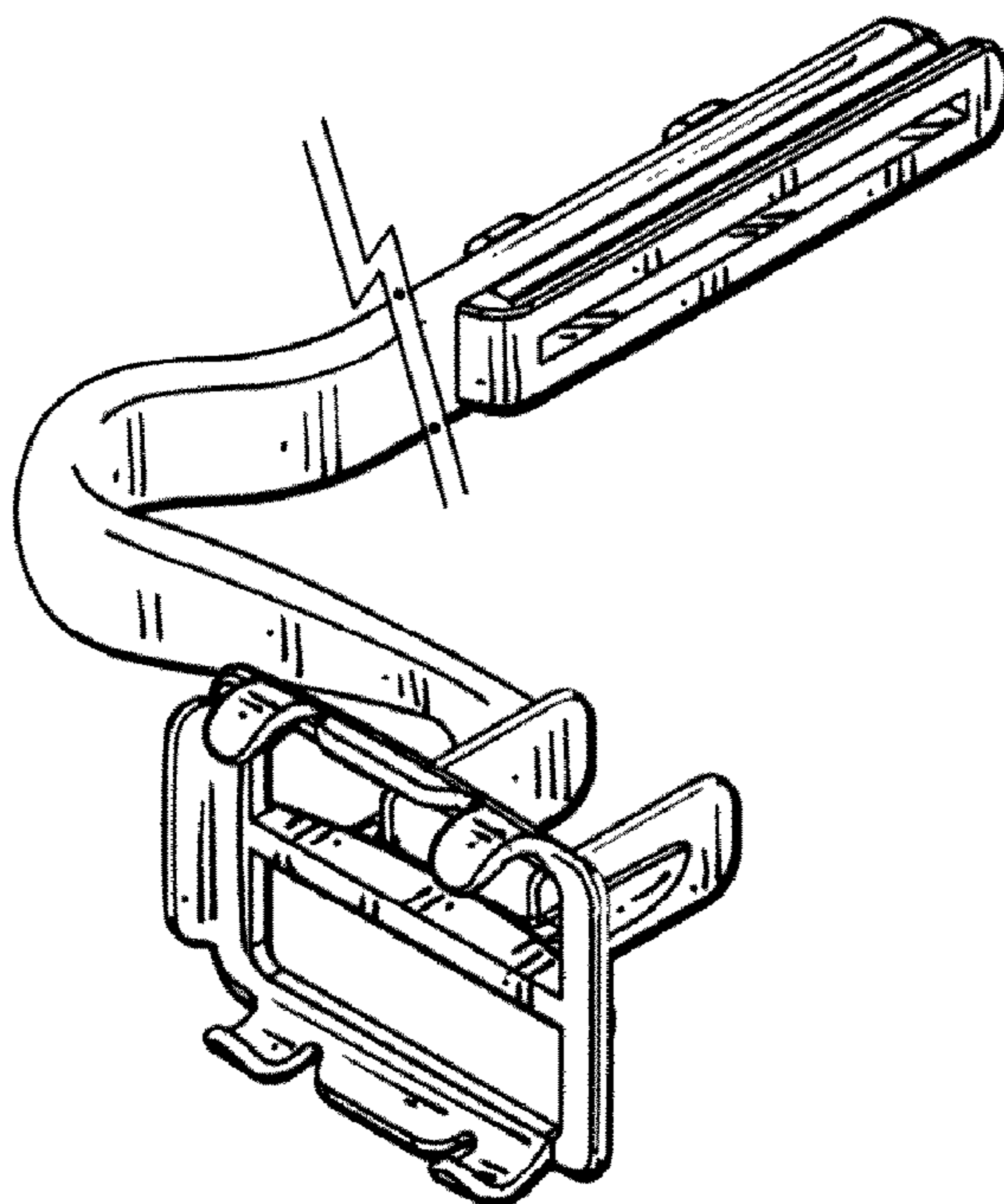
The break lines in the drawing views indicate that a specific length of the receptor holding device forms no part of the claimed design.

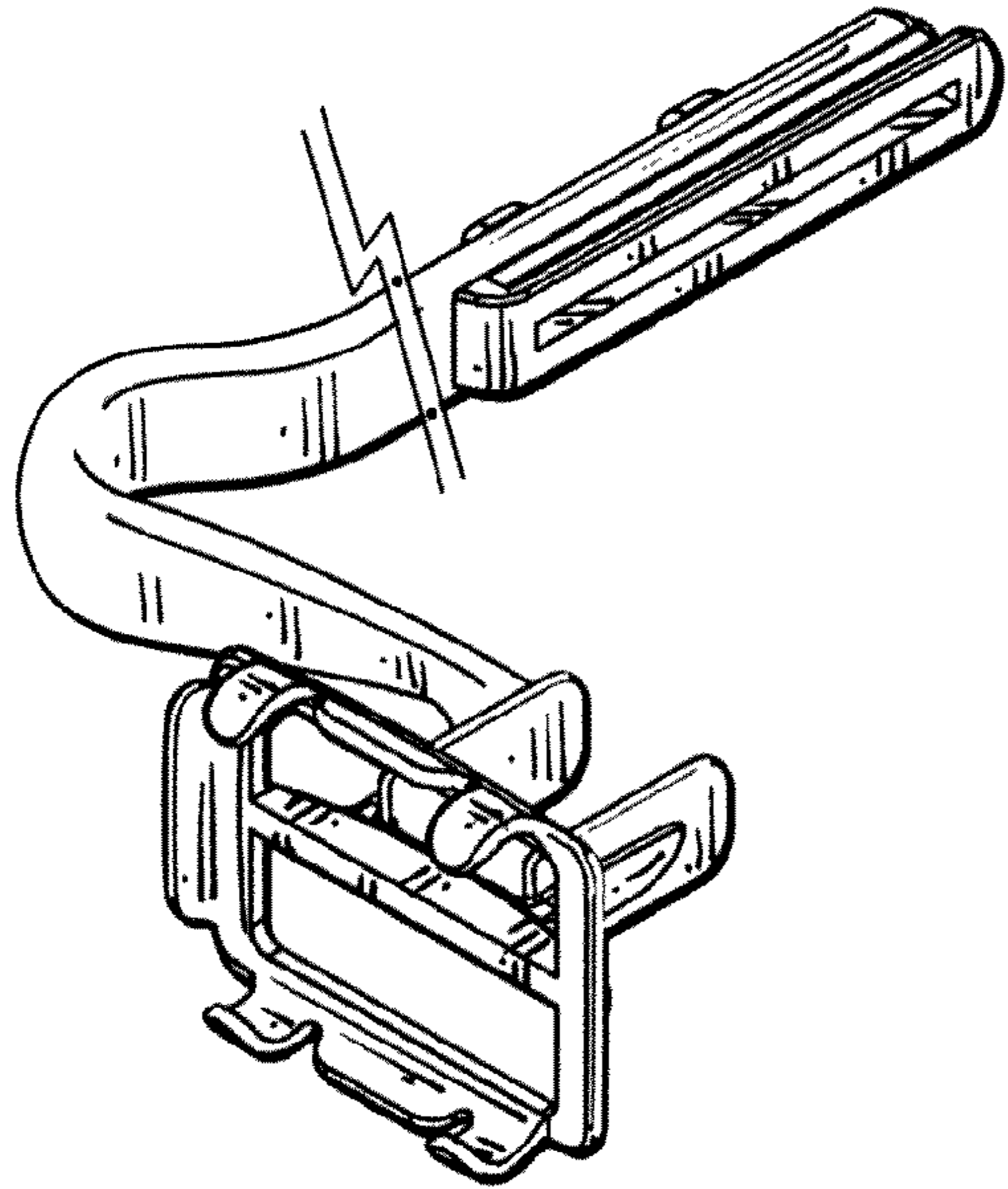
(56) **References Cited**

U.S. PATENT DOCUMENTS

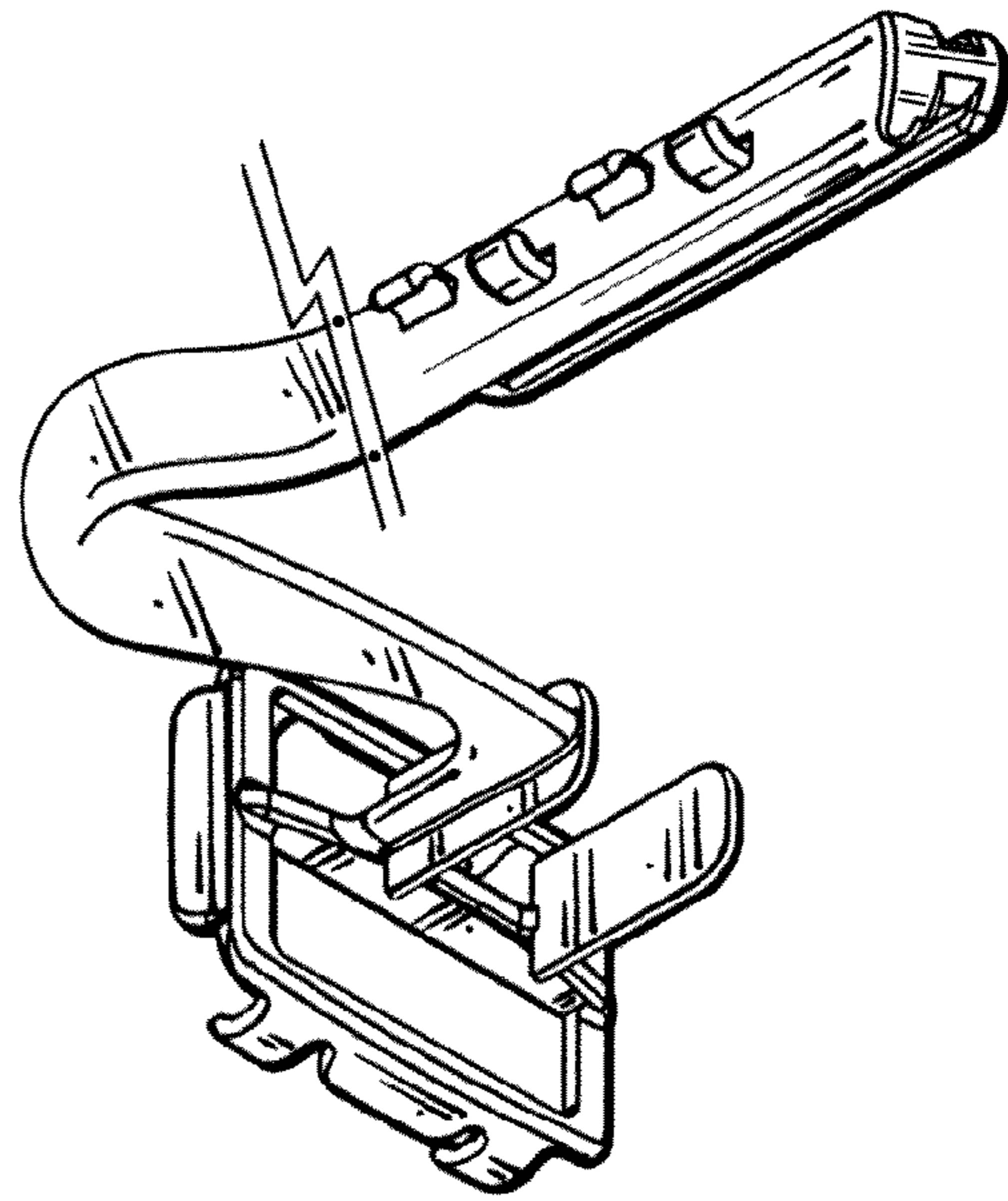
D246,798	S	*	12/1977	Jermyn	.....	D24/161
4,484,342	A	*	11/1984	Allison et al.	.....	378/168
D283,157	S	*	3/1986	Maldonado et al.	.....	D24/161
5,289,522	A	*	2/1994	Kanbar et al.	.....	378/170

**1 Claim, 2 Drawing Sheets**

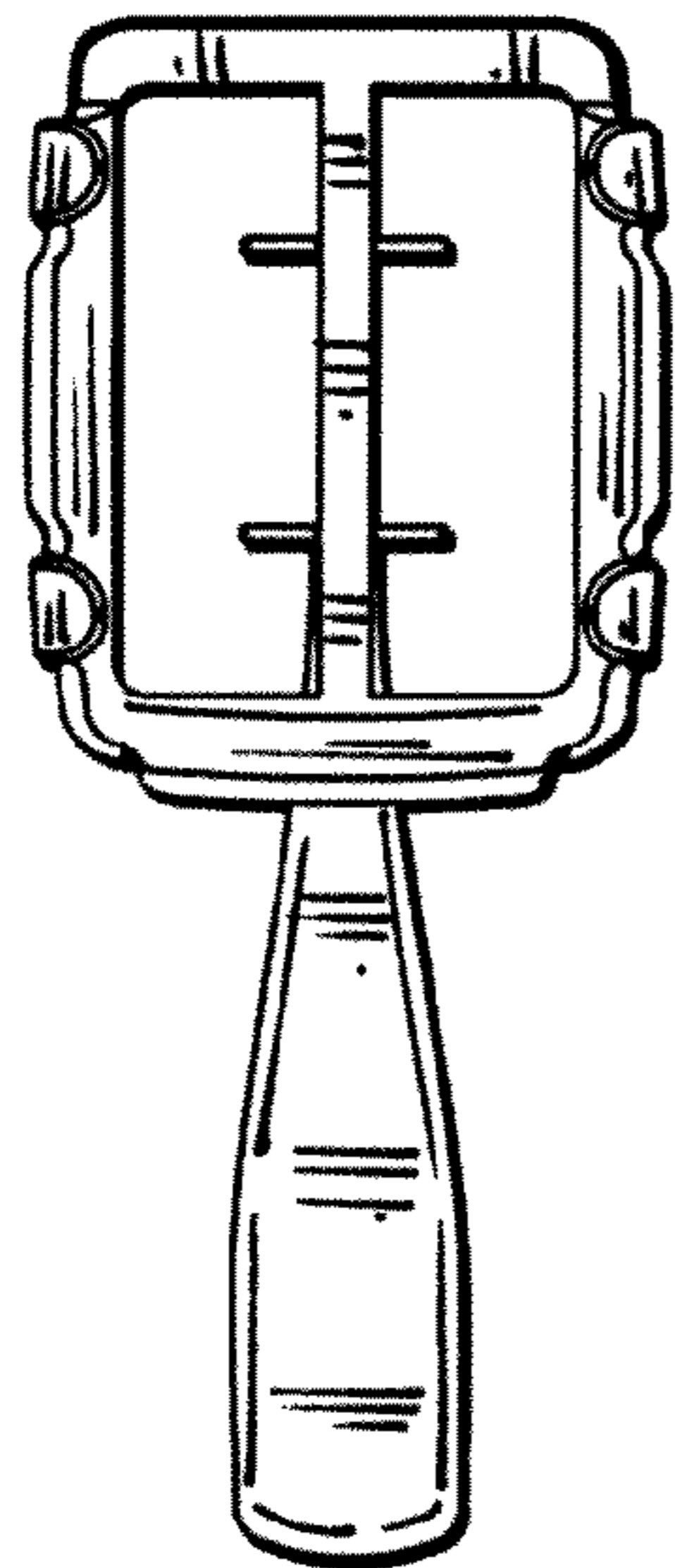




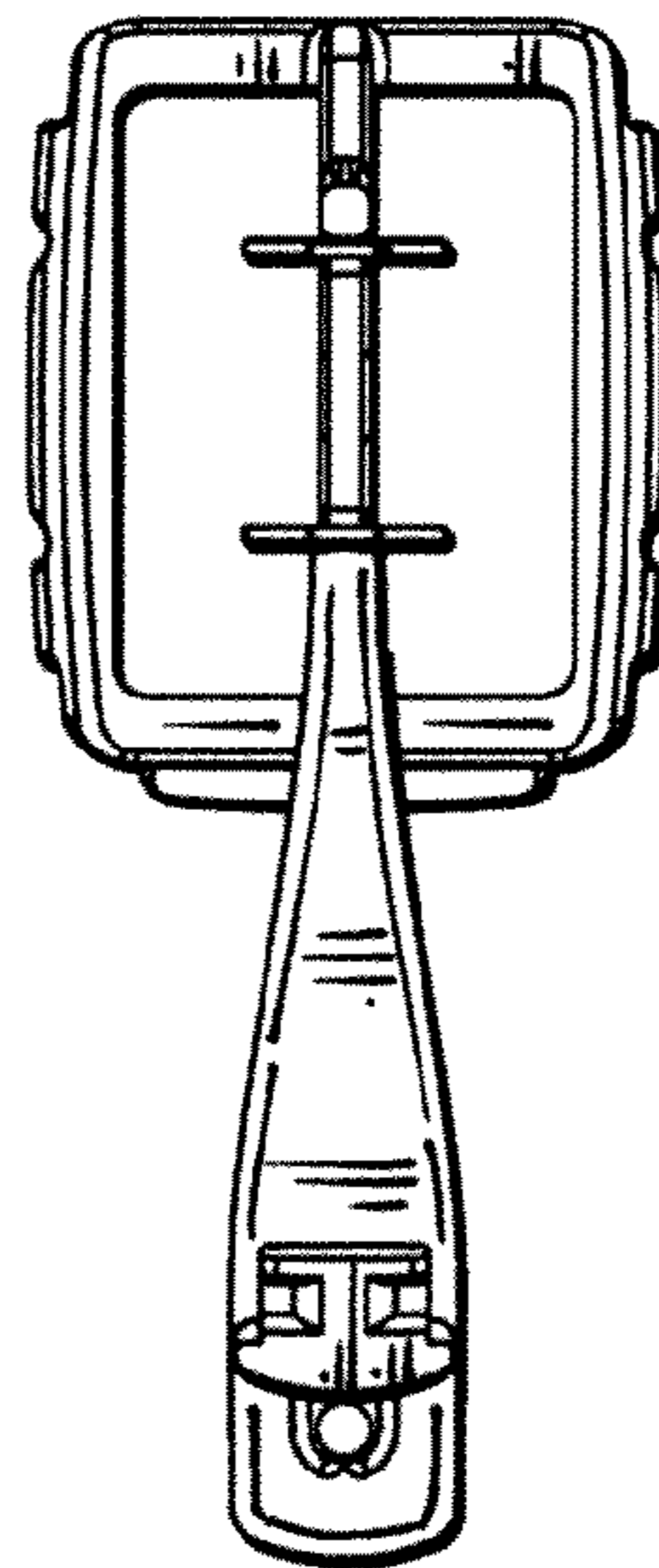
*Fig. 1*



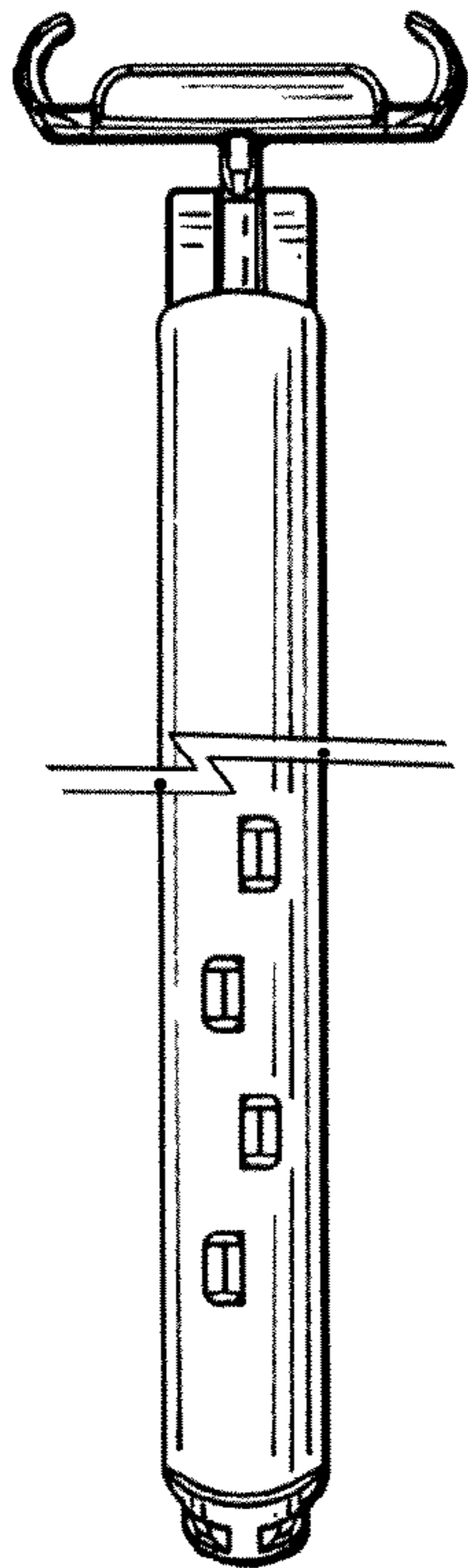
*Fig. 2*



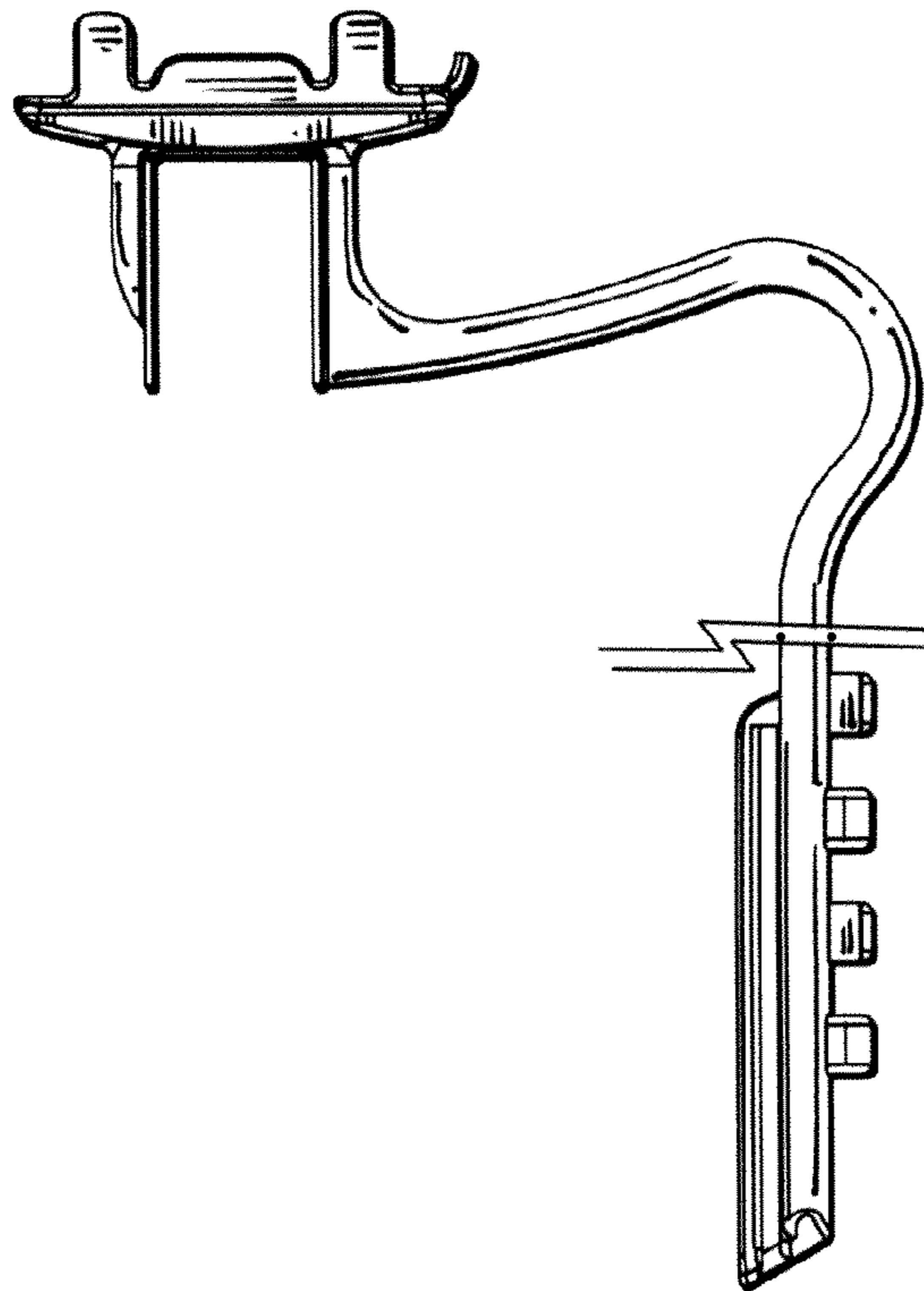
*Fig. 3*



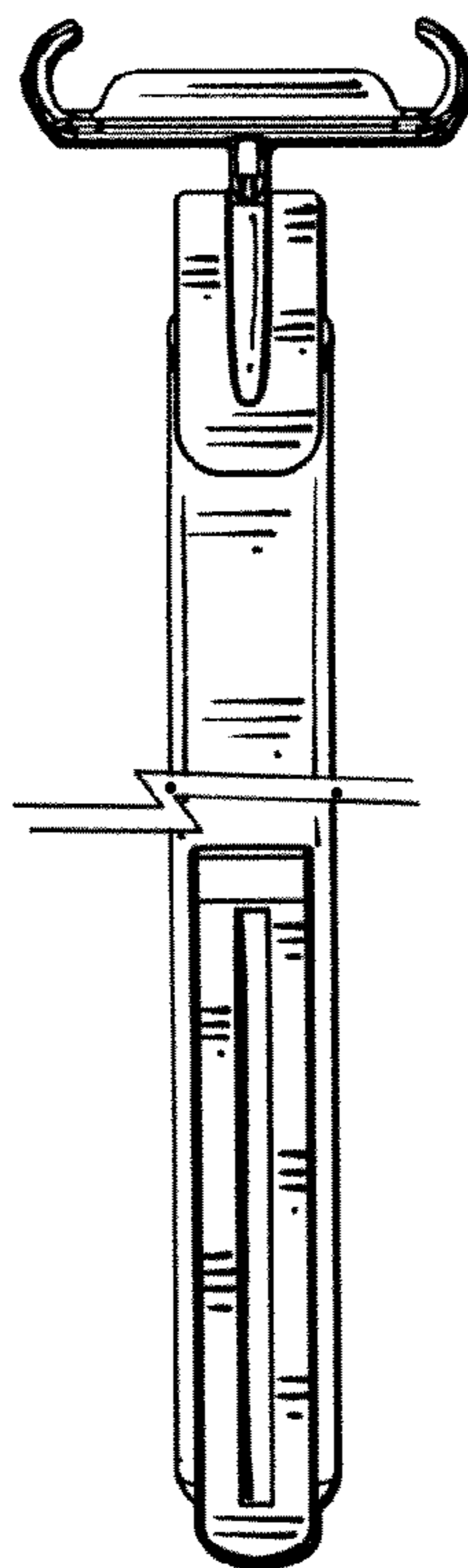
*Fig. 4*



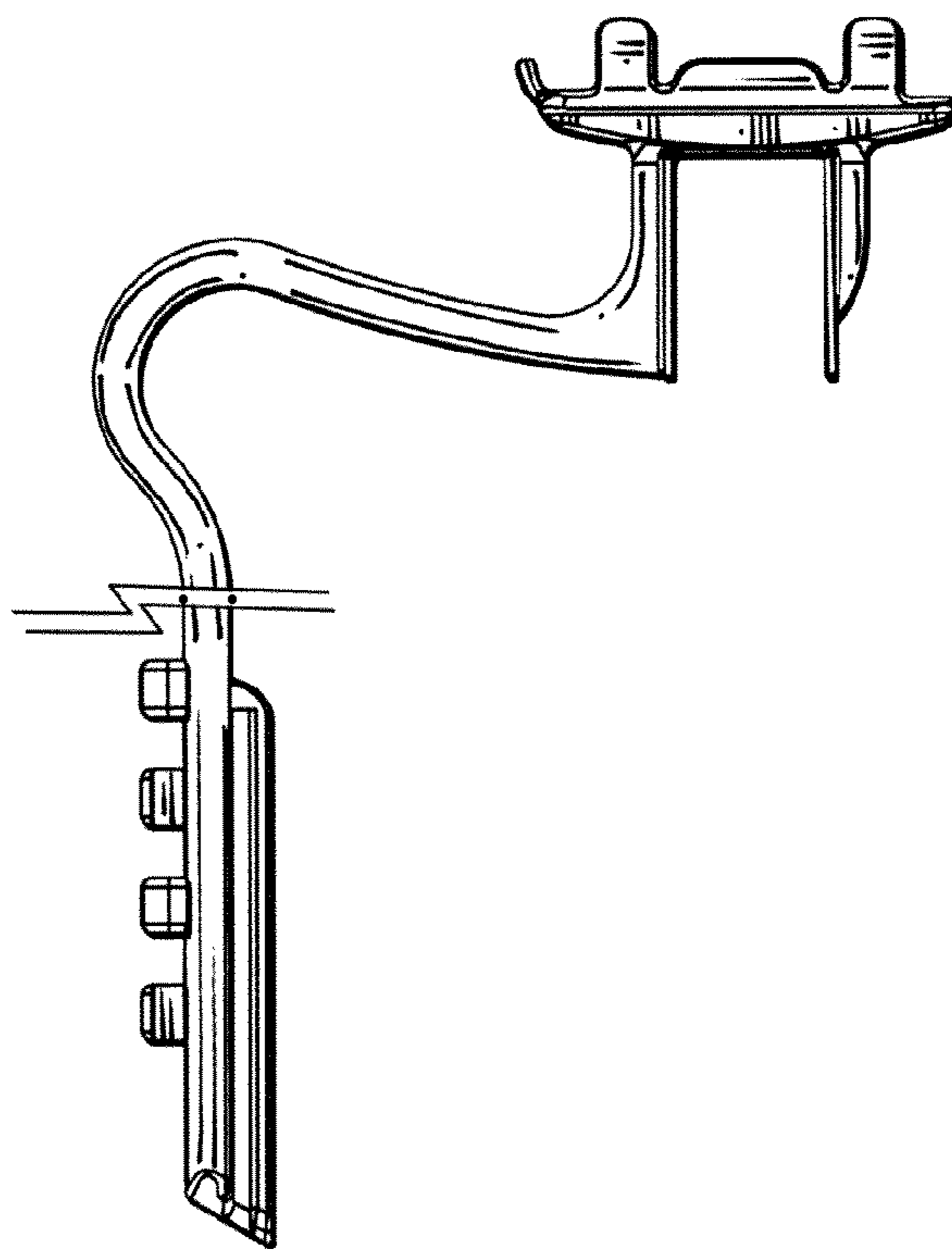
*Fig. 5*



*Fig. 6*



*Fig. 7*



*Fig. 8*