



US00D703326S

(12) **United States Design Patent**
Hayman et al.

(10) **Patent No.:** **US D703,326 S**

(45) **Date of Patent:** **** Apr. 22, 2014**

- (54) **RECEPTOR HOLDING DEVICE**
- (71) Applicant: **Zuma Dental, LLC**, Los Angeles, CA (US)
- (72) Inventors: **Robert Hayman**, Los Angeles, CA (US); **Ekram Khan**, League City, TX (US); **Michael Paloian**, Cold Spring Harbor, NY (US); **Anthony Orchard**, Wantagh, NY (US)
- (73) Assignee: **Zuma Dental, LLC**, Los Angeles, CA (US)
- (**) Term: **14 Years**
- (21) Appl. No.: **29/449,978**
- (22) Filed: **Mar. 15, 2013**
- (51) **LOC (10) Cl.** **24-01**
- (52) **U.S. Cl.**
USPC **D24/161**
- (58) **Field of Classification Search**
USPC D24/158-161, 185, 186, 152, 176, 177;
D8/394, 396; 378/38-40, 169-170,
378/177, 180, 191, 205
See application file for complete search history.

D370,732	S	*	6/1996	Smith	D24/176
5,652,779	A	*	7/1997	Levy et al.	378/170
D406,892	S	*	3/1999	Warren	D24/161
6,592,256	B2	*	7/2003	Da Rold et al.	378/168
D537,943	S	*	3/2007	Schmulenson	D24/158
7,871,199	B2	*	1/2011	Szommer	378/170
8,016,483	B2	*	9/2011	Steward, Jr.	378/170
8,573,844	B2	*	11/2013	Steward et al.	378/170
2006/0245549	A1	*	11/2006	Calderwood et al.	378/191
2010/0027756	A1	*	2/2010	Hof	378/170
2011/0299663	A1	*	12/2011	Steward, Jr.	378/170

* cited by examiner

Primary Examiner — Anhdao Doan

(74) *Attorney, Agent, or Firm* — Quan & Associates; Nancy N. Quan; Christopher N. Quan

(57) **CLAIM**

The ornamental design for a receptor holding device, as shown and described.

DESCRIPTION

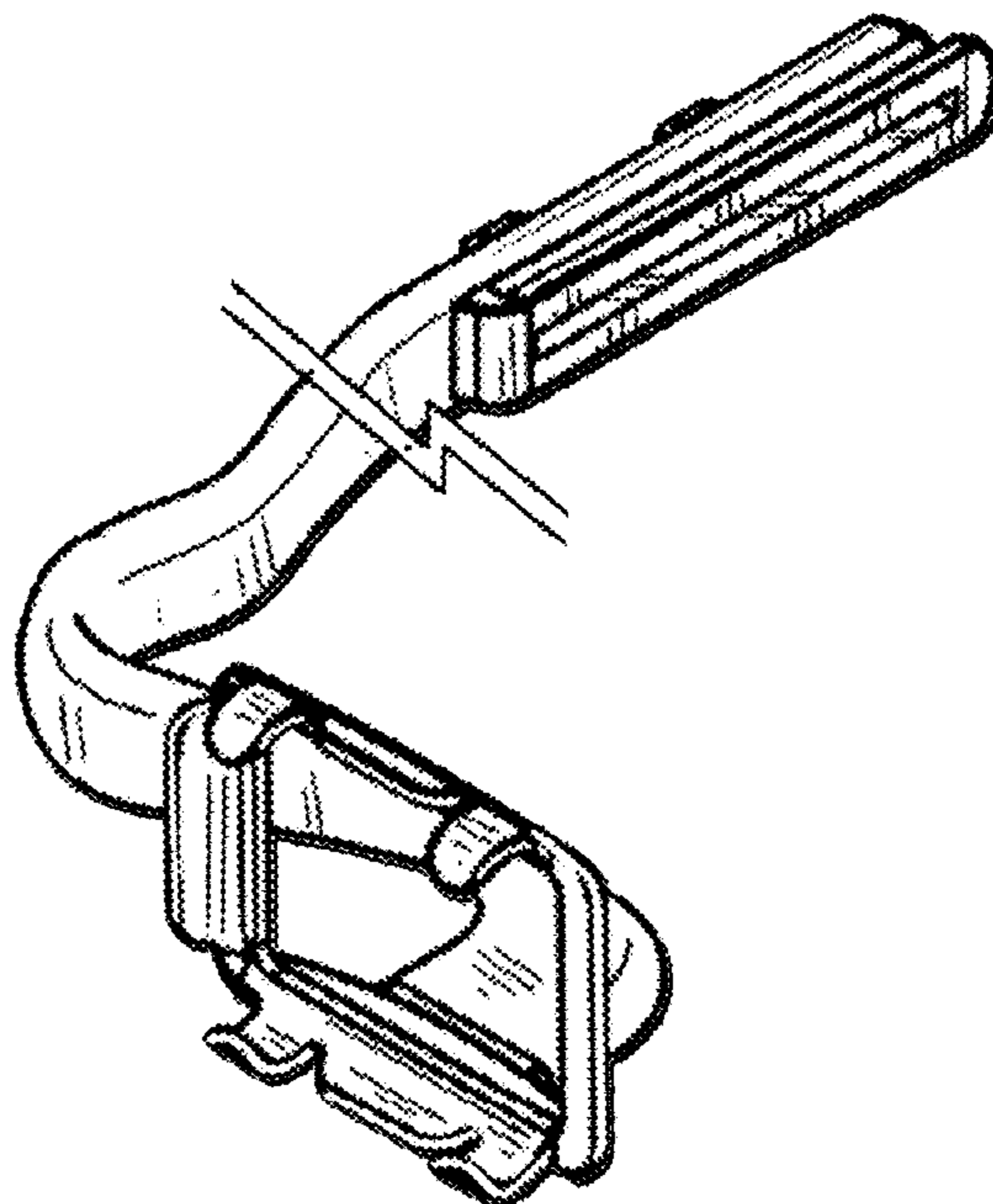
FIG. 1 is a back and side perspective view of receptor holding device embodying our new design;
 FIG. 2 is a front and side perspective view thereof;
 FIG. 3 is front view thereof;
 FIG. 4 is a back view thereof;
 FIG. 5 is a top view thereof;
 FIG. 6 is a right side view thereof;
 FIG. 7 is a bottom view; and,
 FIG. 8 is a left side view thereof.
 The break lines in the drawing views indicate that a specific length of the receptor holding device forms no part of the claimed design.

(56) **References Cited**

U.S. PATENT DOCUMENTS

D246,798	S	*	12/1977	Jermyn	D24/161
4,484,342	A	*	11/1984	Allison et al.	378/168
D283,157	S	*	3/1986	Maldonado et al.	D24/161
5,289,522	A	*	2/1994	Kanbar et al.	378/170

1 Claim, 2 Drawing Sheets



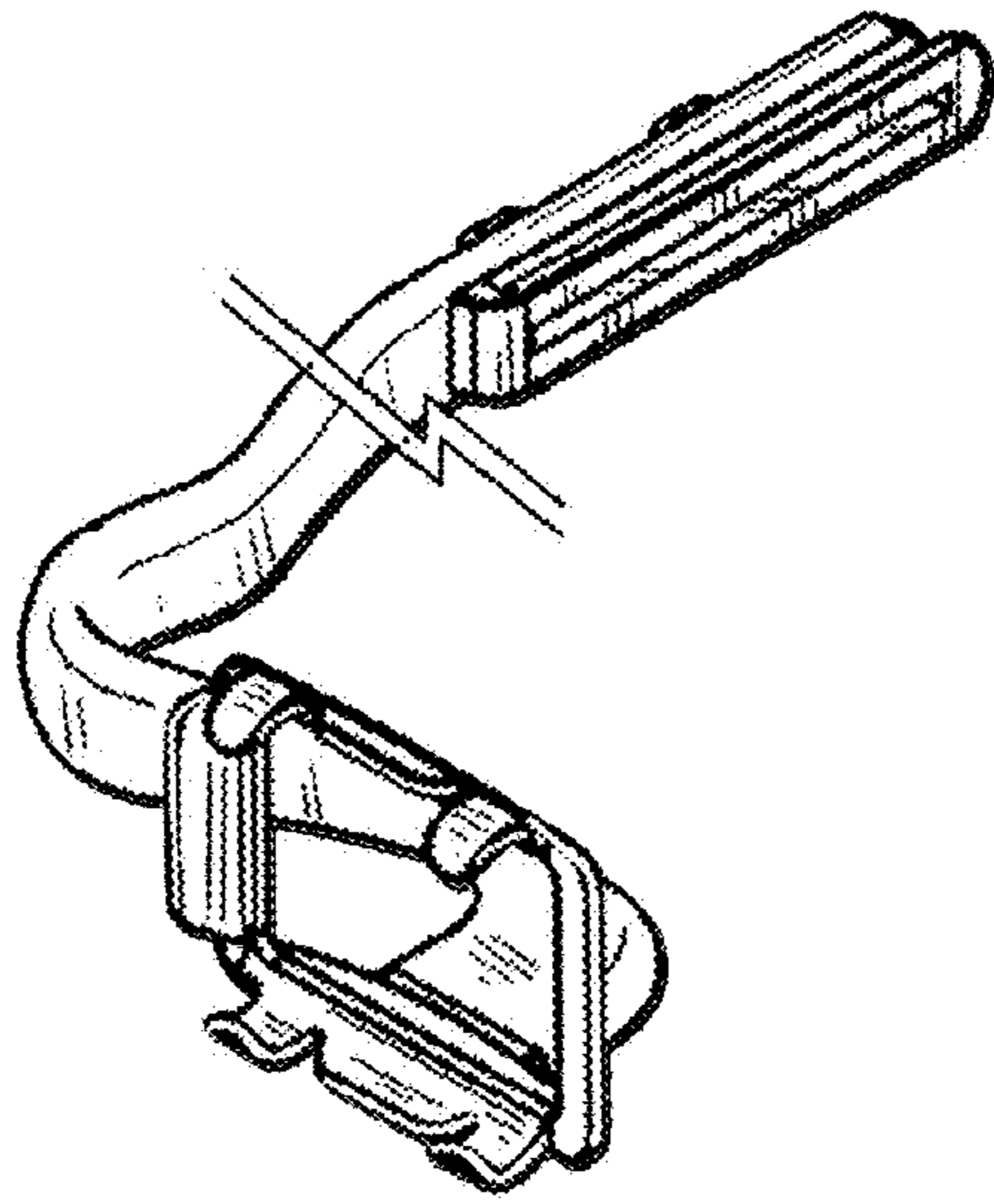


Fig. 1

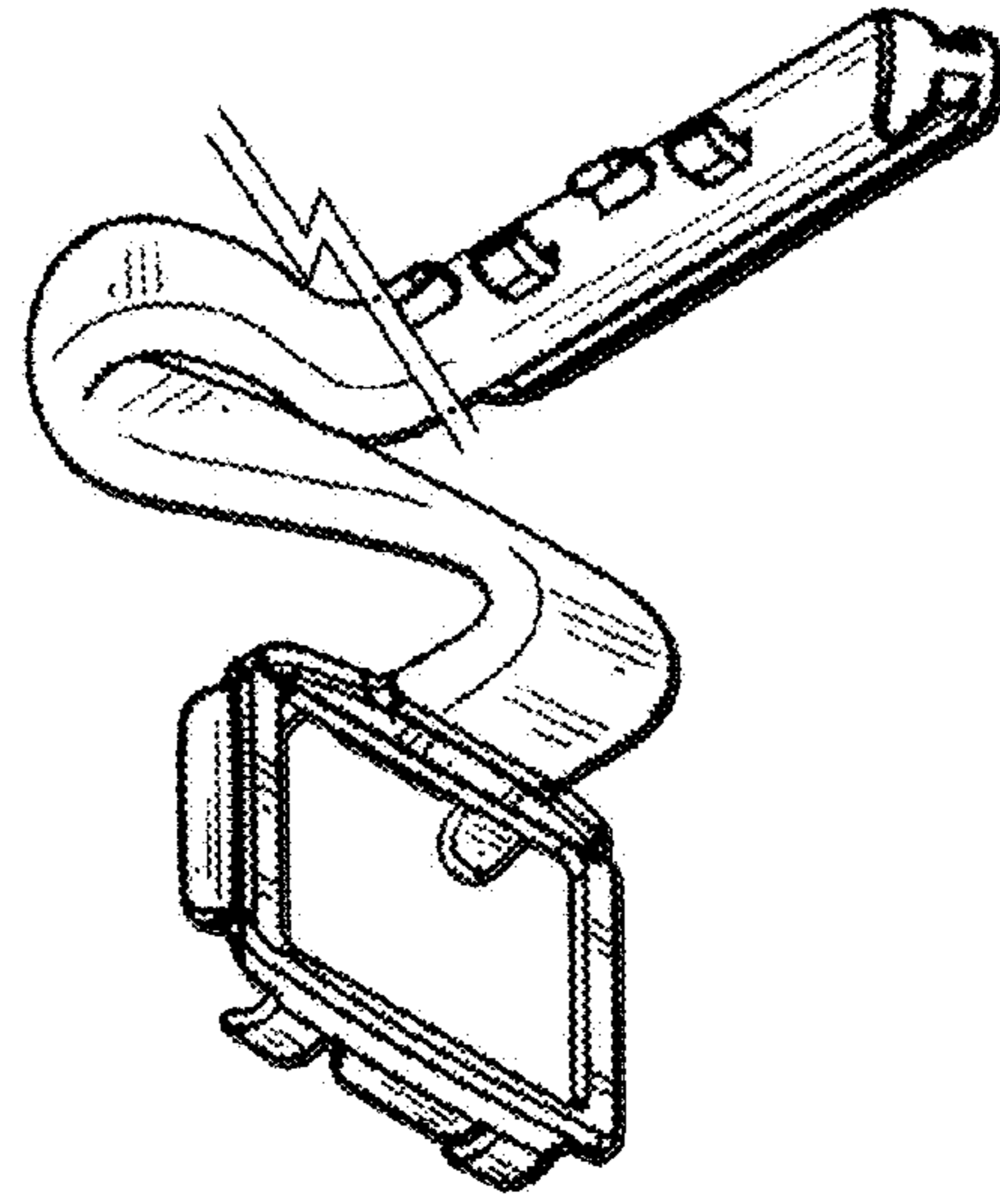


Fig. 2

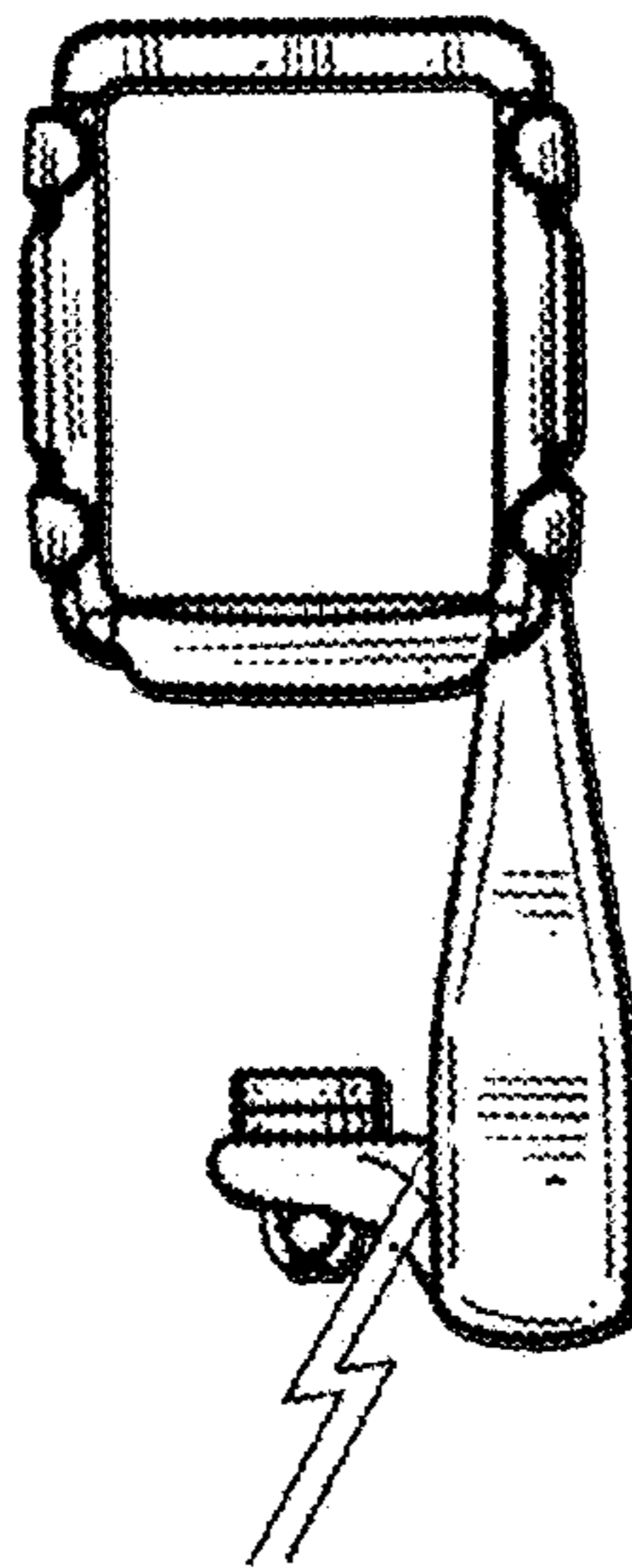


Fig. 3

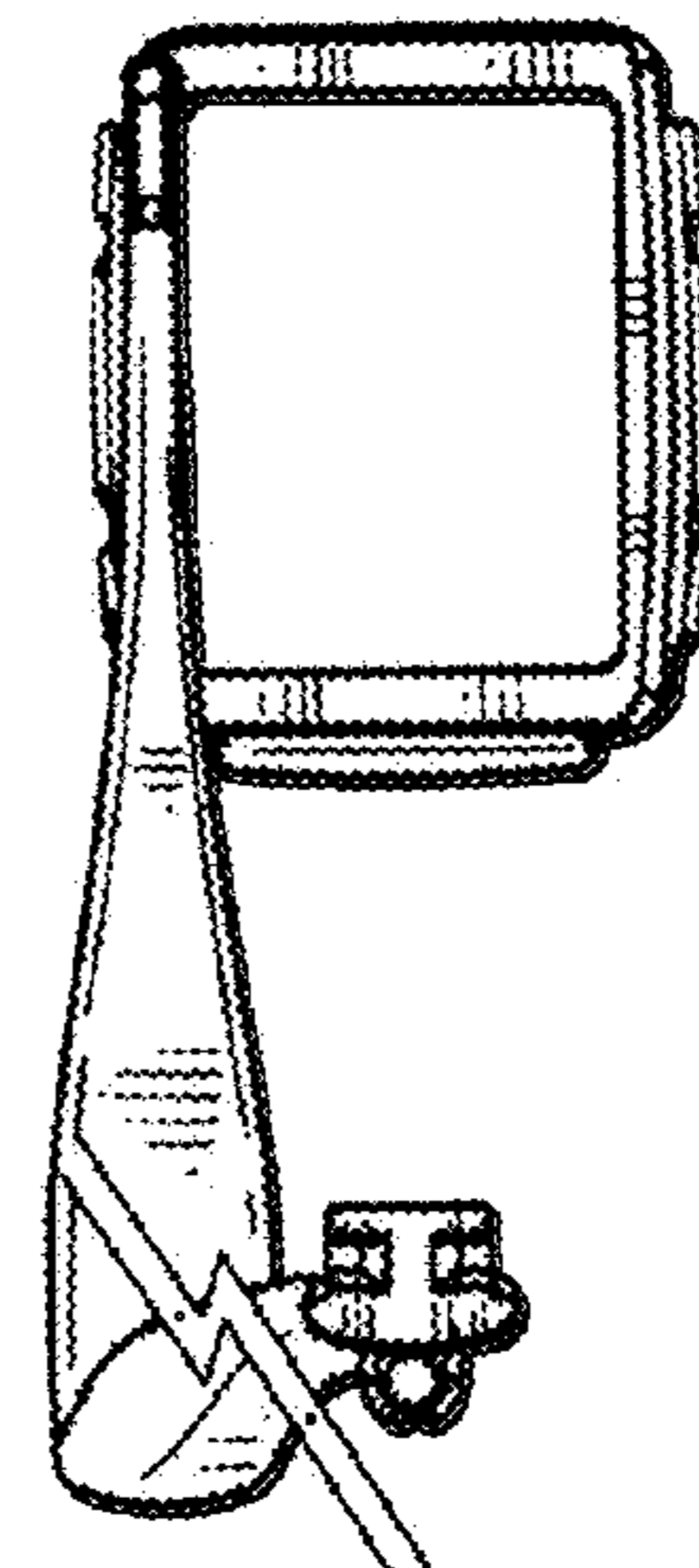


Fig. 4

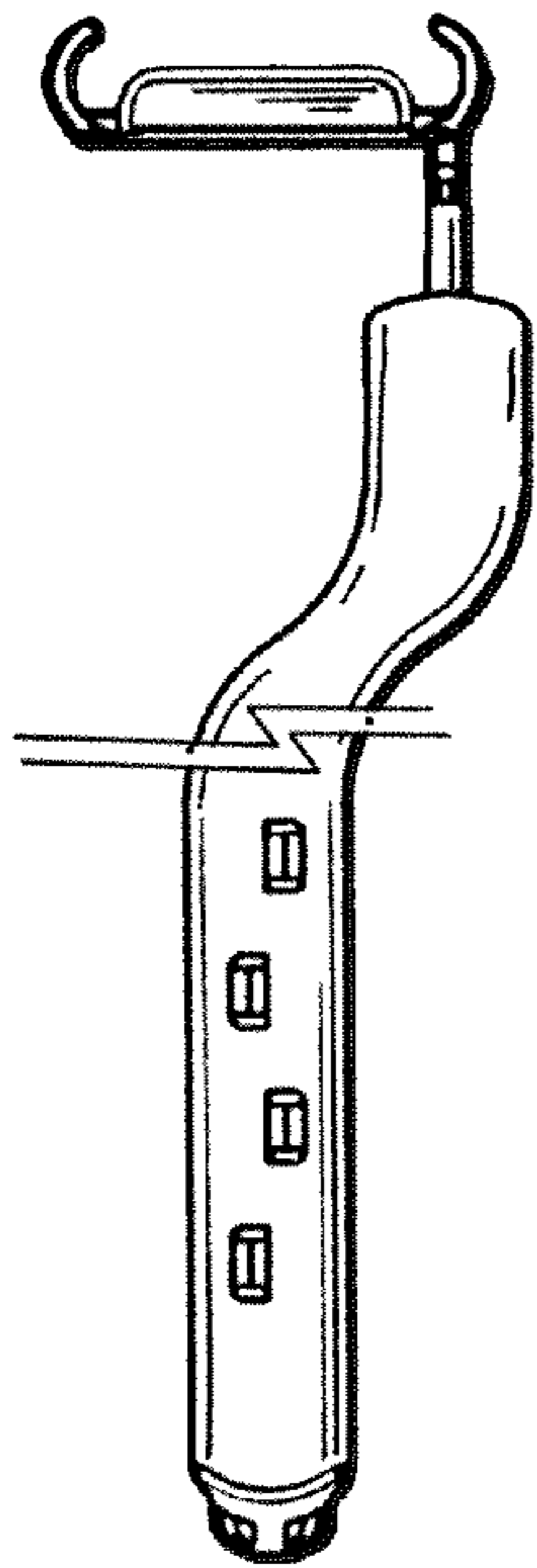


Fig. 5

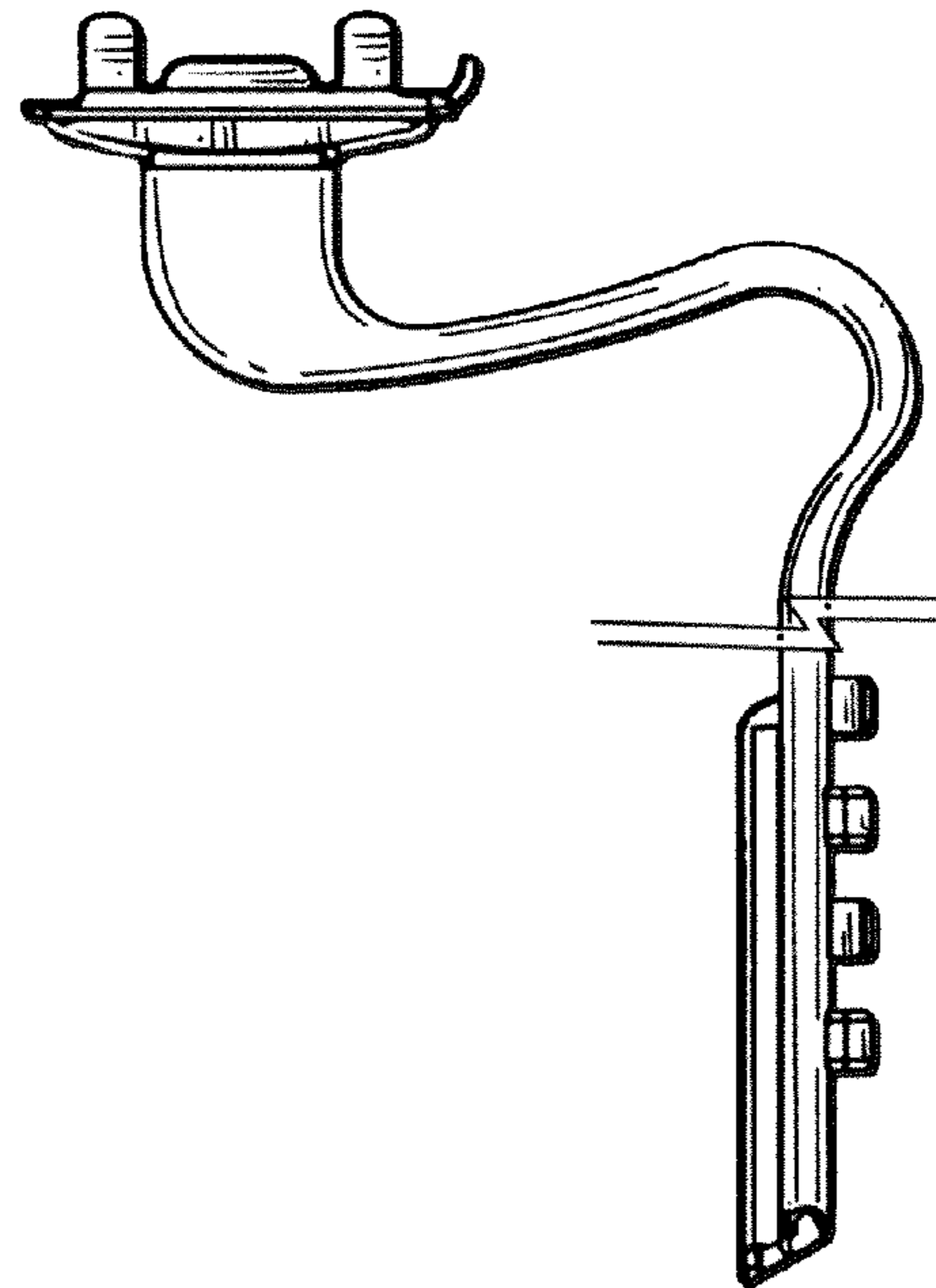


Fig. 6

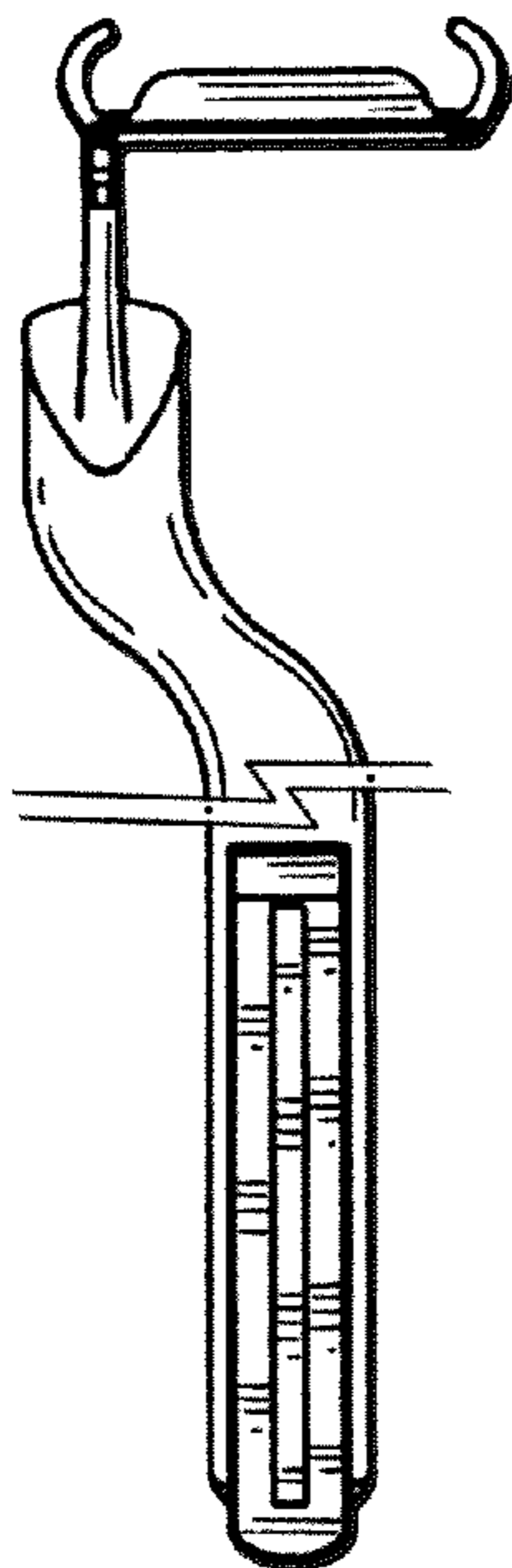


Fig. 7

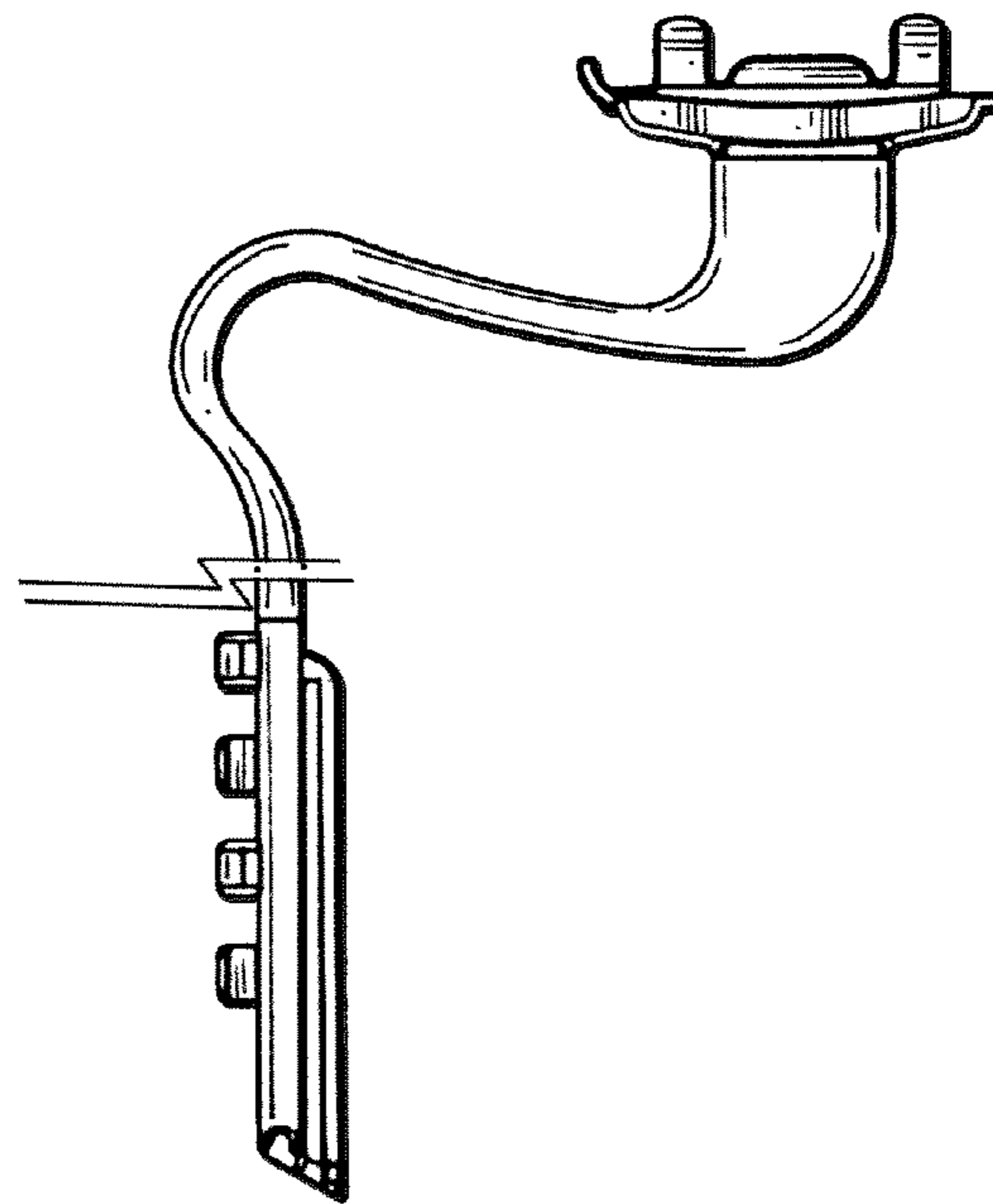


Fig. 8