



US00D703323S

(12) **United States Design Patent**
Hayman et al.

(10) **Patent No.:** **US D703,323 S**

(45) **Date of Patent:** **** Apr. 22, 2014**

(54) **COLLIMATOR STRUCTURE**

(71) Applicant: **Zuma Dental, LLC**, Los Angeles, CA (US)

(72) Inventors: **Robert Hayman**, Los Angeles, CA (US); **Ekram Khan**, League City, TX (US); **Michael Paloian**, Cold Spring Harbor, NY (US); **Anthony Orchard**, Wantagh, NY (US)

(73) Assignee: **Zuma Dental, LLC**, Los Angeles, CA (US)

(**) Term: **14 Years**

(21) Appl. No.: **29/466,712**

(22) Filed: **Sep. 11, 2013**

(51) **LOC (10) Cl.** **24-01**

(52) **U.S. Cl.**
USPC **D24/158**

(58) **Field of Classification Search**
USPC D24/158-161, 185, 186, 152, 176, 177;
D8/394, 396; 378/147-153
See application file for complete search history.

(56) **References Cited**

U.S. PATENT DOCUMENTS

3,127,514 A * 3/1964 Sharp et al. 378/153
3,745,344 A * 7/1973 Updegrave 378/147
D246,665 S * 12/1977 Updegrave D24/158

D273,981 S * 5/1984 Kroll et al. D24/158
D281,353 S * 11/1985 Sico, Jr. D24/158
4,984,261 A * 1/1991 Maldonado et al. D24/158
7,194,064 B2 * 3/2007 Razzano et al. 378/193
D628,296 S * 11/2010 Hoshino D24/158
D676,554 S * 2/2013 Moon D24/158
2012/0039445 A1 * 2/2012 Kantor et al. 378/147

* cited by examiner

Primary Examiner — Anhdao Doan

(74) *Attorney, Agent, or Firm* — Quan & Associates; Nancy N. Quan; Christopher N. Quan

(57) **CLAIM**

The ornamental design for a collimator structure, as shown and described.

DESCRIPTION

This application is related to U.S. Design patent applications Ser. Nos. 29/449,872; 29/450,036; 29/449,938, all filed Mar. 15, 2013; the contents of which are hereby incorporated by reference in their entirety.

FIG. 1 is a front and side perspective view of a collimator structure embodying our new design;

FIG. 2 is a front view thereof;

FIG. 3 is a back view thereof;

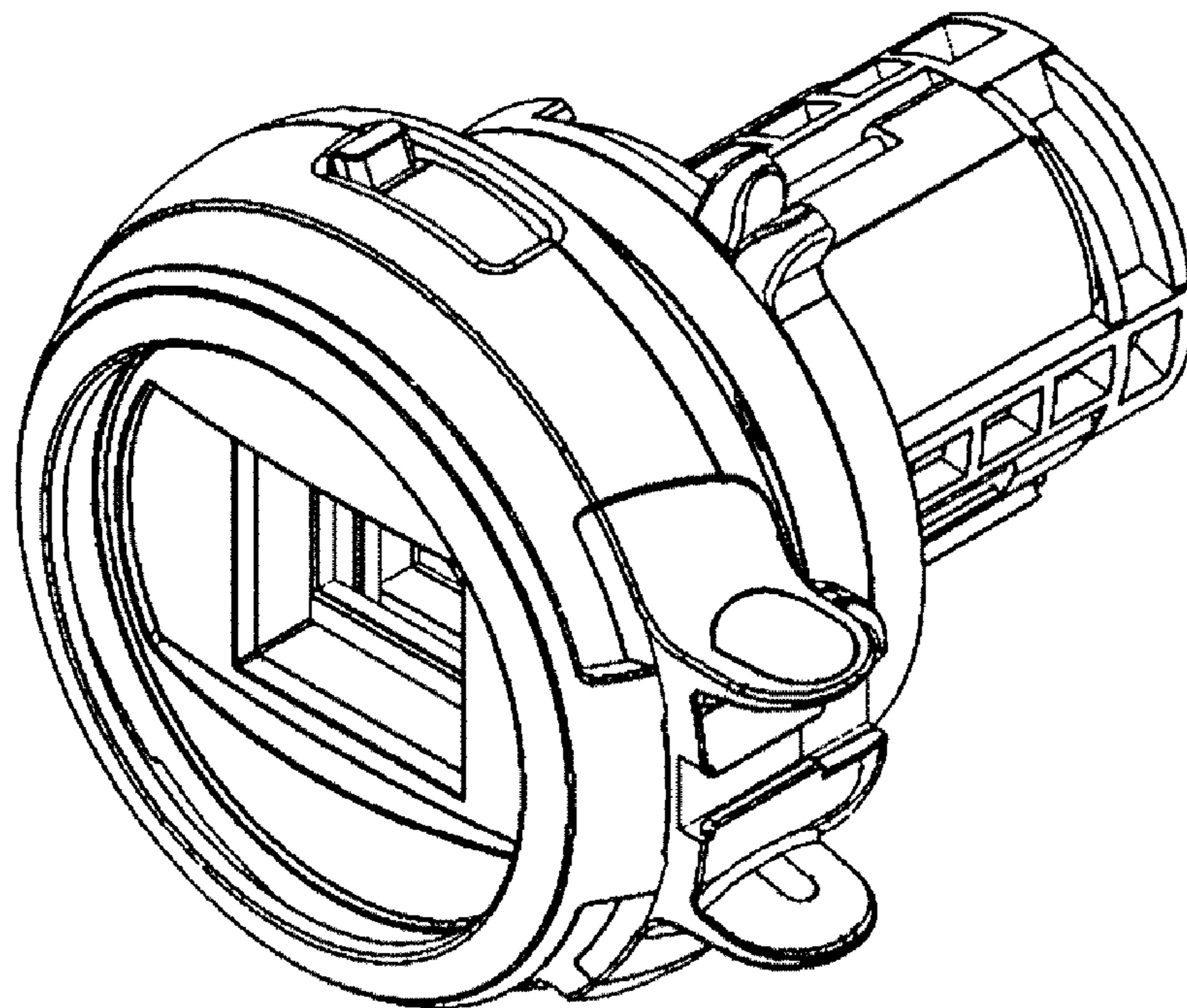
FIG. 4 is a right side view thereof;

FIG. 5 is a top view thereof;

FIG. 6 is a left side view; and,

FIG. 7 is a bottom view thereof.

1 Claim, 2 Drawing Sheets



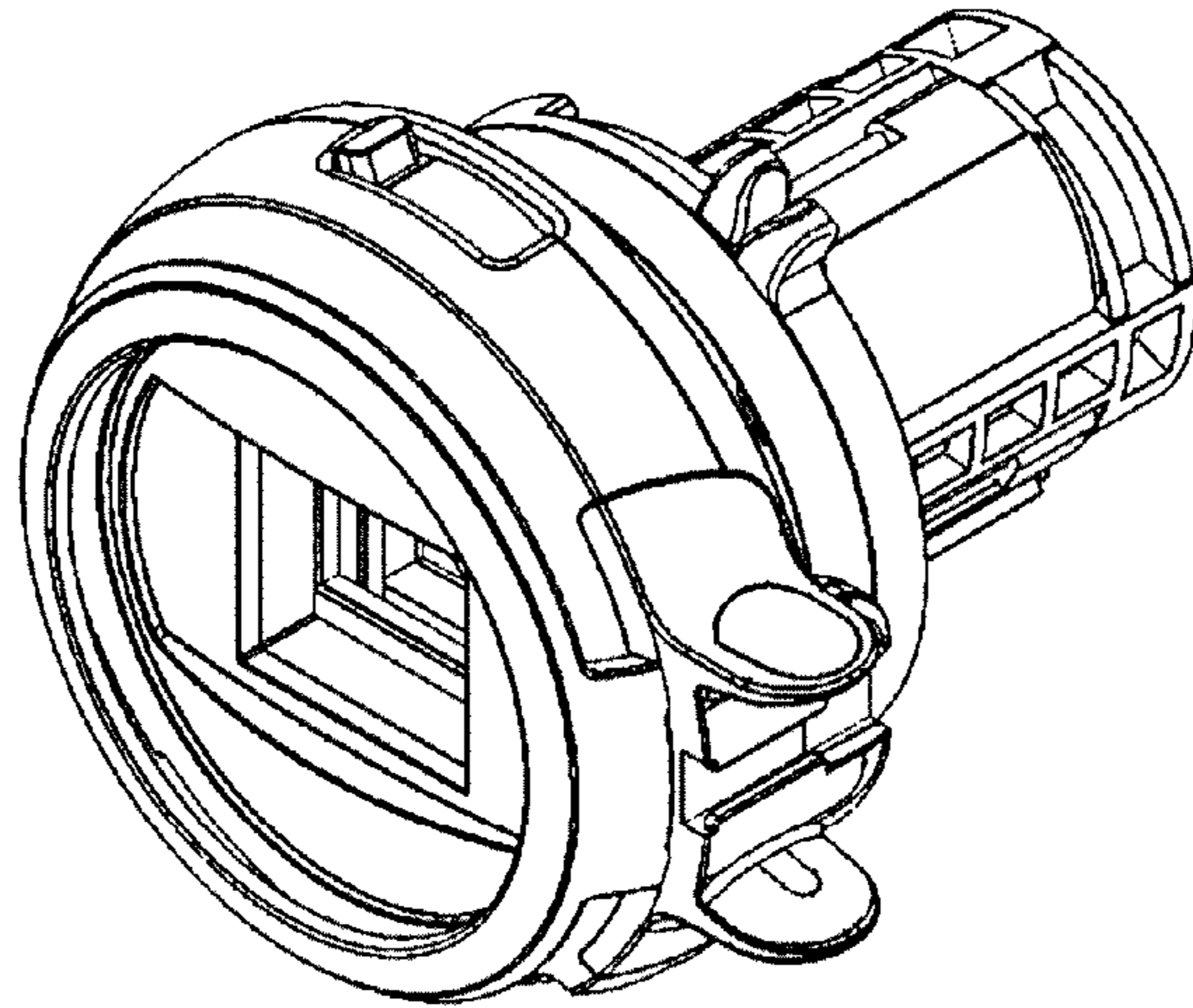


Fig. 1

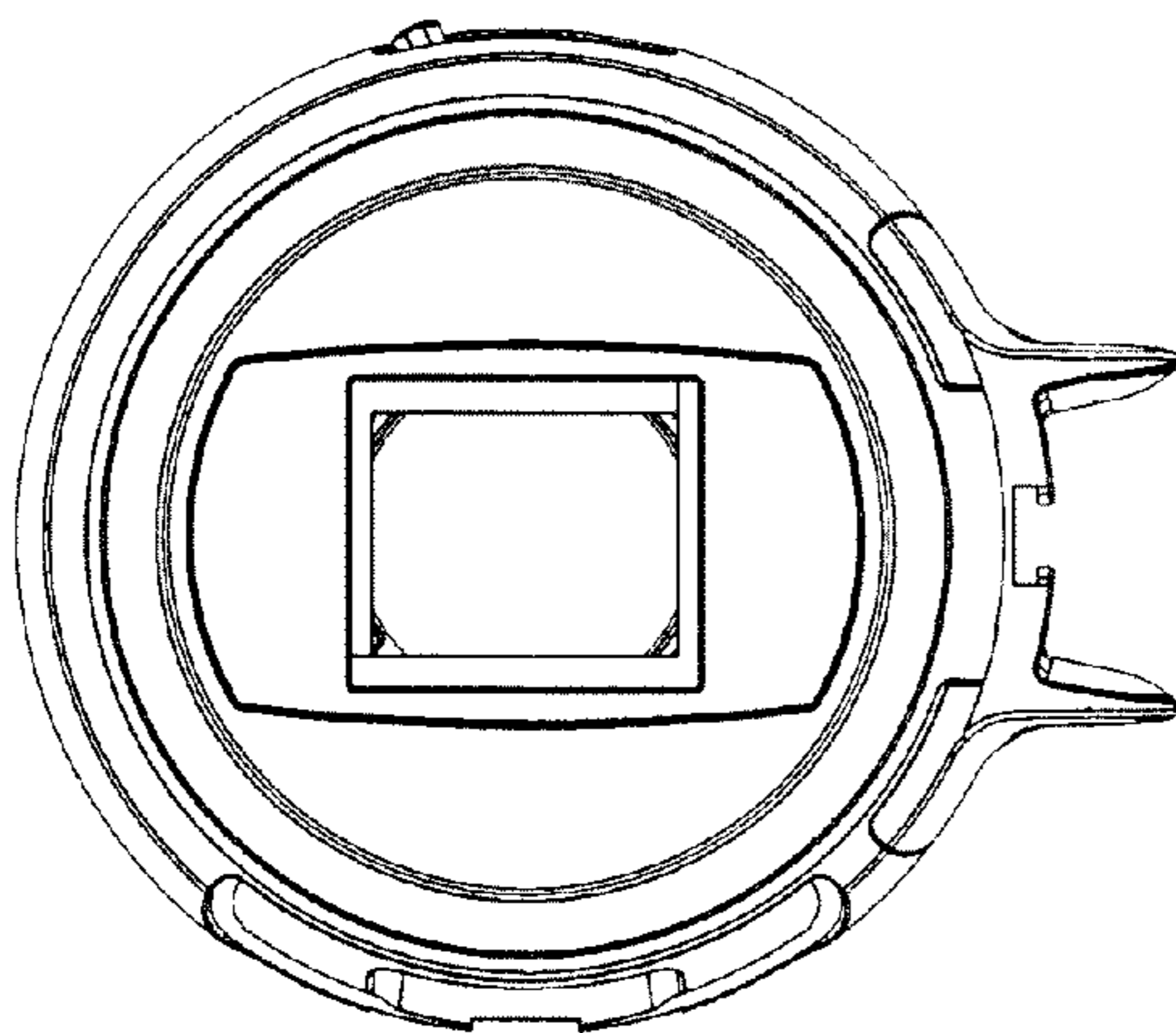


Fig. 2

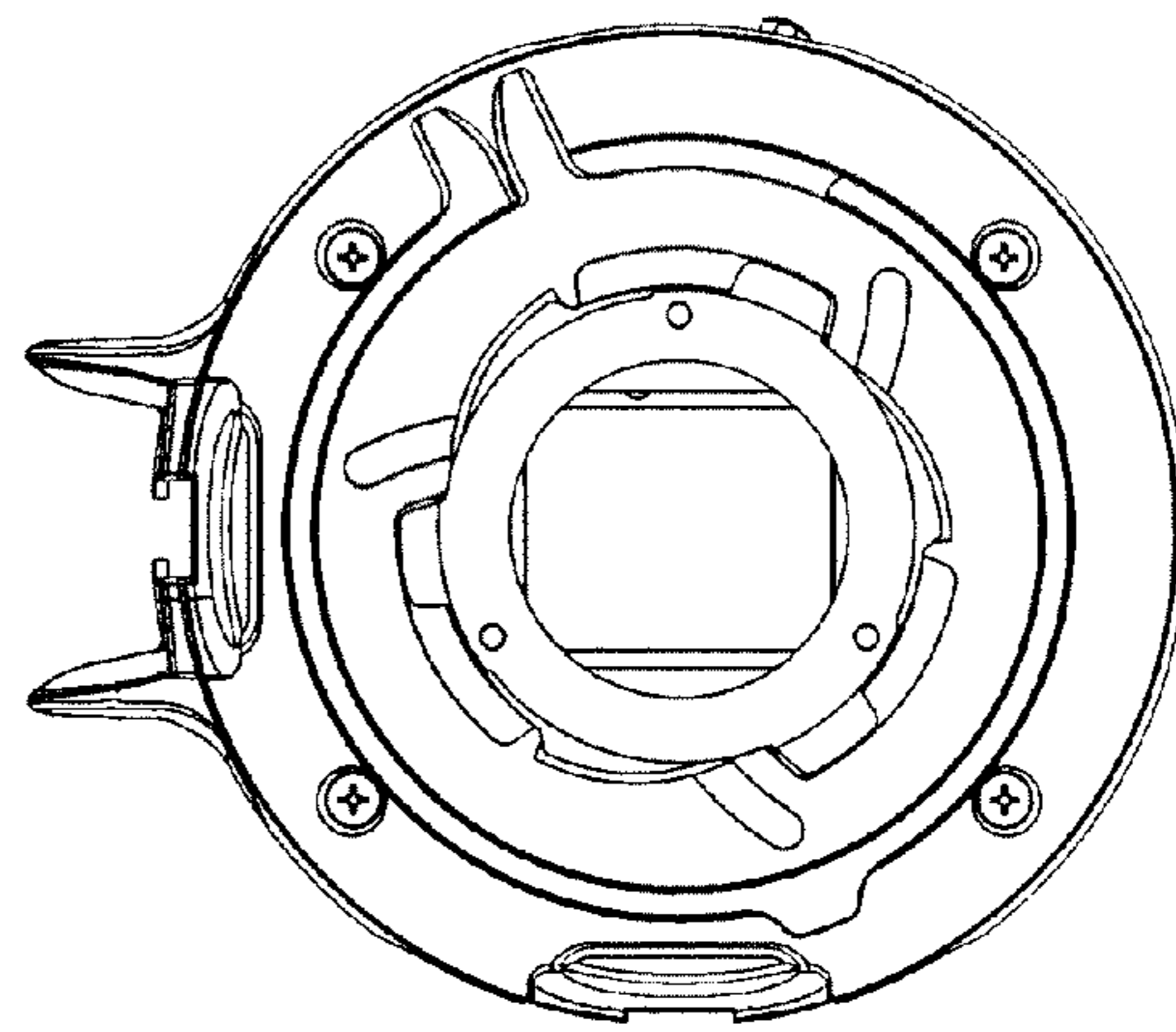


Fig. 3

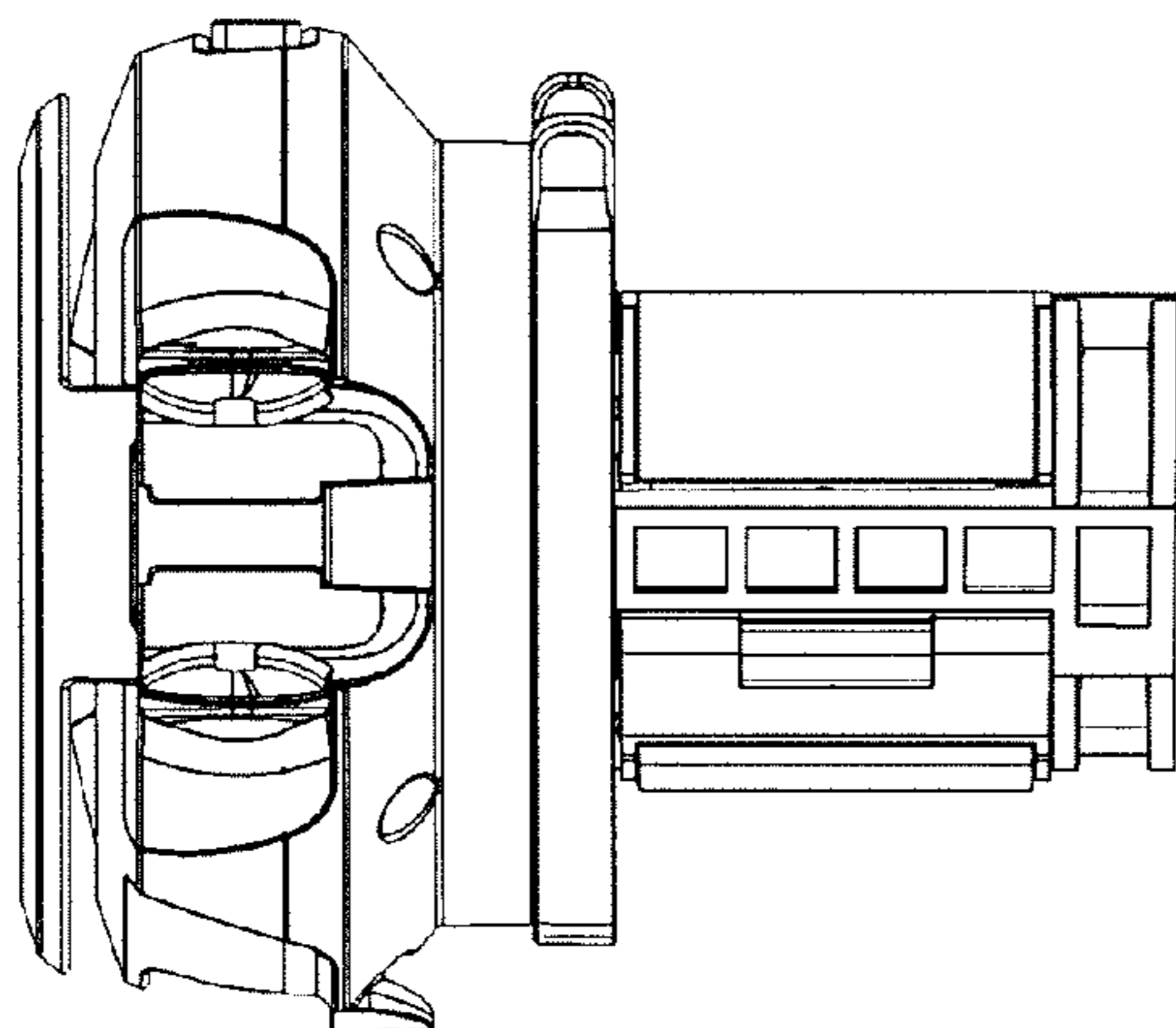


Fig. 4

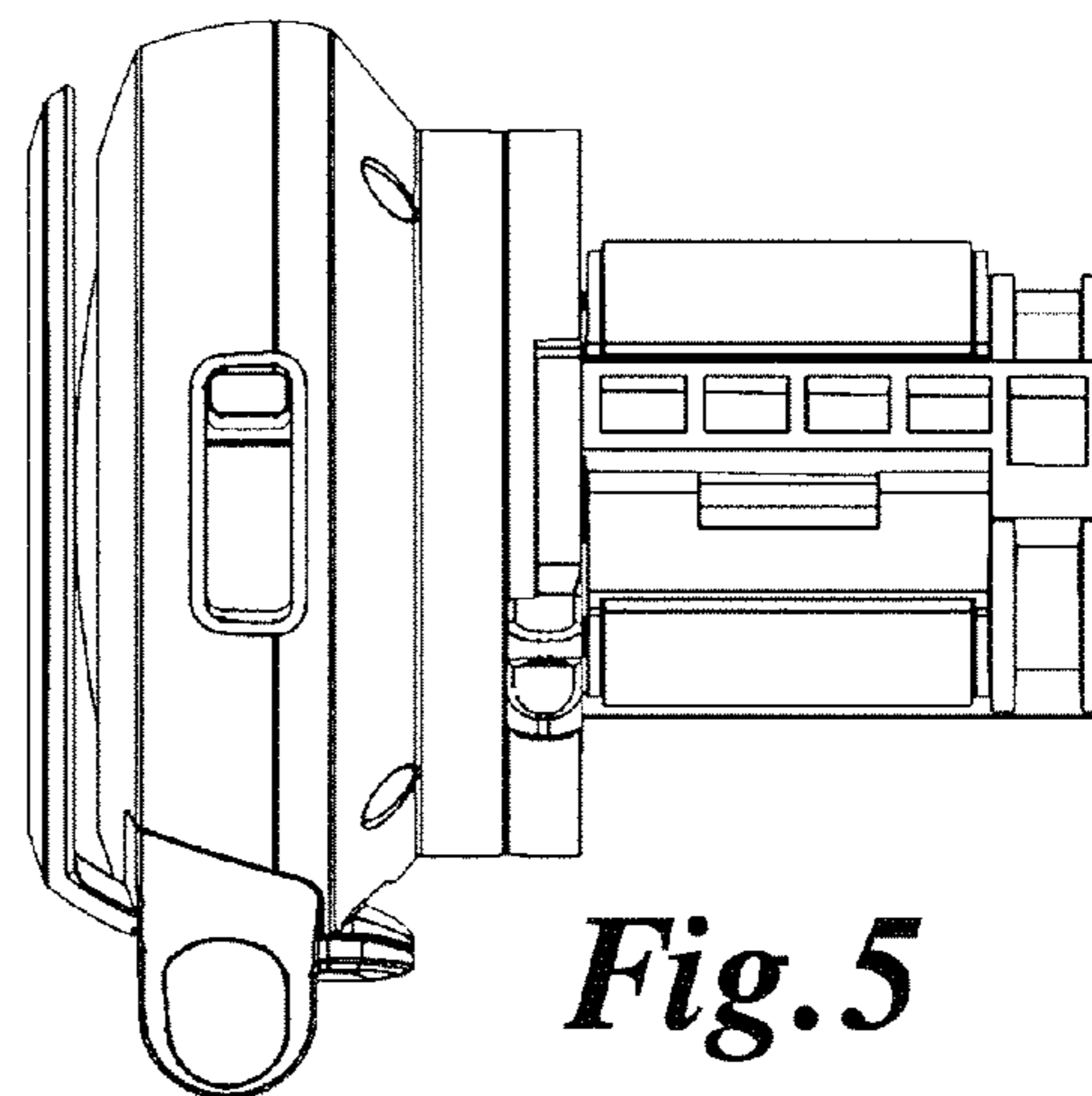


Fig. 5

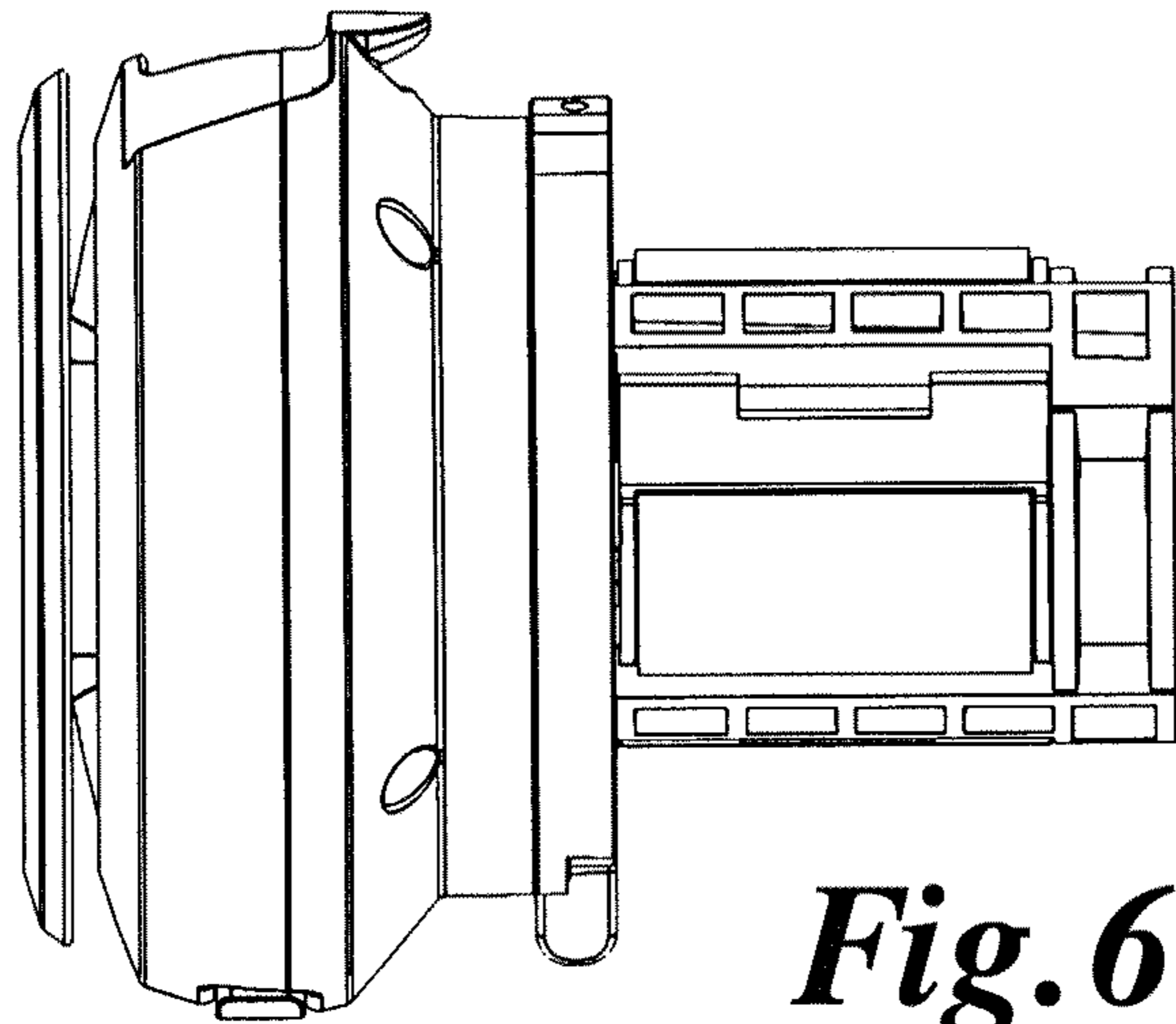


Fig. 6

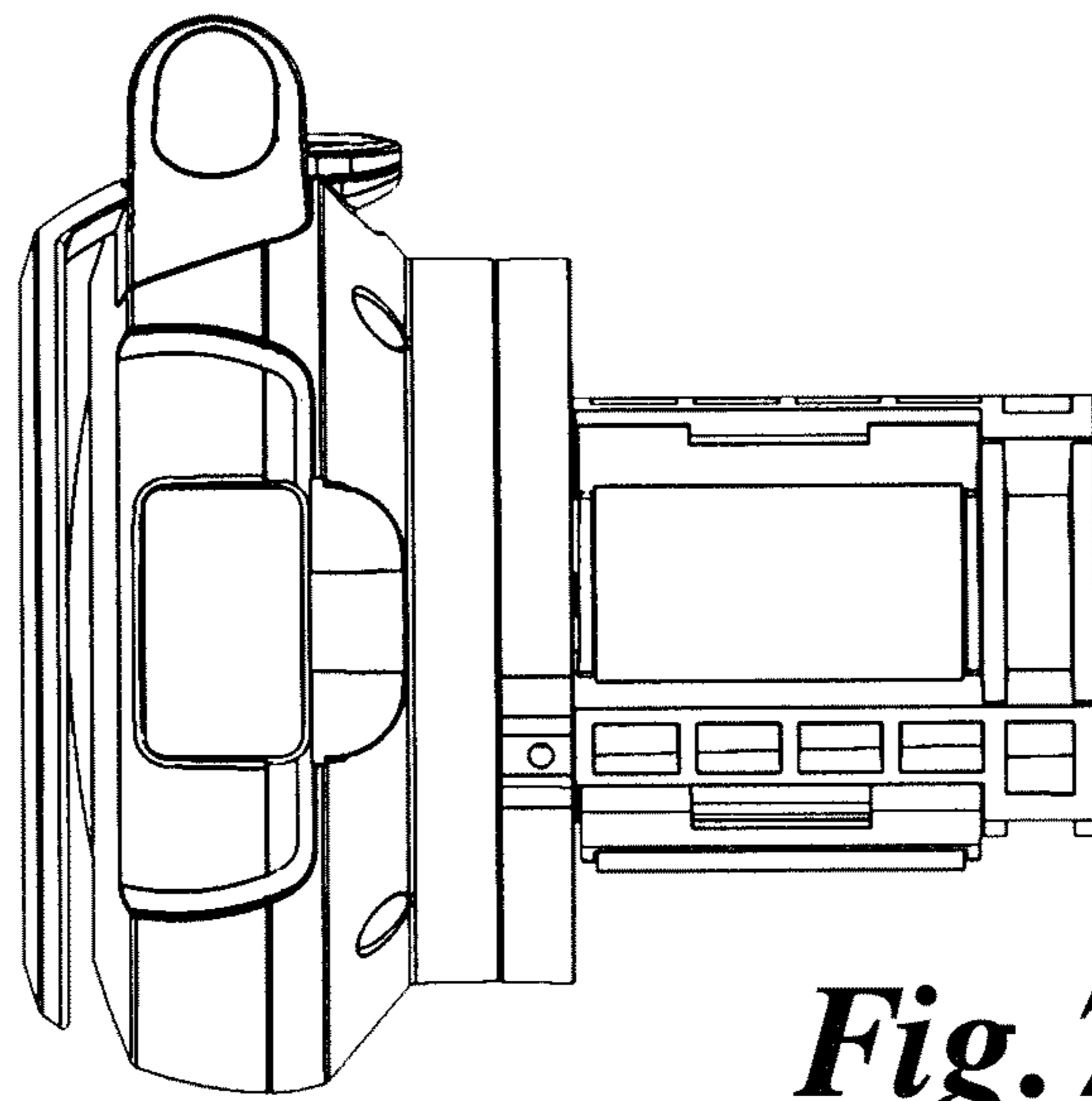


Fig. 7