



US00D703321S

(12) **United States Design Patent**  
**Wodecki**

(10) **Patent No.:** **US D703,321 S**

(45) **Date of Patent:** **\*\* Apr. 22, 2014**

(54) **MAGNETIC RESONANCE IMAGING SYSTEM GANTRY**

2012/0089377 A1\* 4/2012 Erhard et al. .... 703/1

\* cited by examiner

(75) Inventor: **Lionel Wodecki**, Buc (FR)

*Primary Examiner* — T. Chase Nelson

(73) Assignee: **General Electric Company**, Schenectady, NY (US)

*Assistant Examiner* — Ania Aman

(\*\*) Term: **14 Years**

(74) *Attorney, Agent, or Firm* — The Small Patent Law Group; Dean D. Small

(21) Appl. No.: **29/404,828**

(57) **CLAIM**

The ornamental design for a magnetic resonance imaging system gantry, as shown and described.

(22) Filed: **Oct. 26, 2011**

**DESCRIPTION**

(51) **LOC (10) Cl.** ..... **24-01**

(52) **U.S. Cl.**

USPC ..... **D24/158**

(58) **Field of Classification Search**

USPC ..... D24/158–161, 186, 202, 209, 210;  
378/4, 15, 17, 20, 21, 23–27, 62, 68,  
378/146, 195, 198, 208, 209; 396/1.2;  
600/1

See application file for complete search history.

FIG. 1 is a front perspective view of a magnetic resonance imaging system gantry showing my new design. The drawings are lined for color.

FIG. 2 is front view of the magnetic resonance imaging system gantry shown in FIG. 1.

FIG. 3 is a side perspective view of the magnetic resonance imaging system gantry shown in FIG. 1.

FIG. 4 is another front perspective view of the magnetic resonance imaging system gantry shown in FIG. 1.

FIG. 5 is still another front perspective view of the magnetic resonance imaging system gantry shown in FIG. 1.

FIG. 6 is another side perspective view of the magnetic resonance imaging system gantry shown in FIG. 1; and,

FIG. 7 is a top perspective view of the magnetic resonance imaging system gantry shown in FIG. 1.

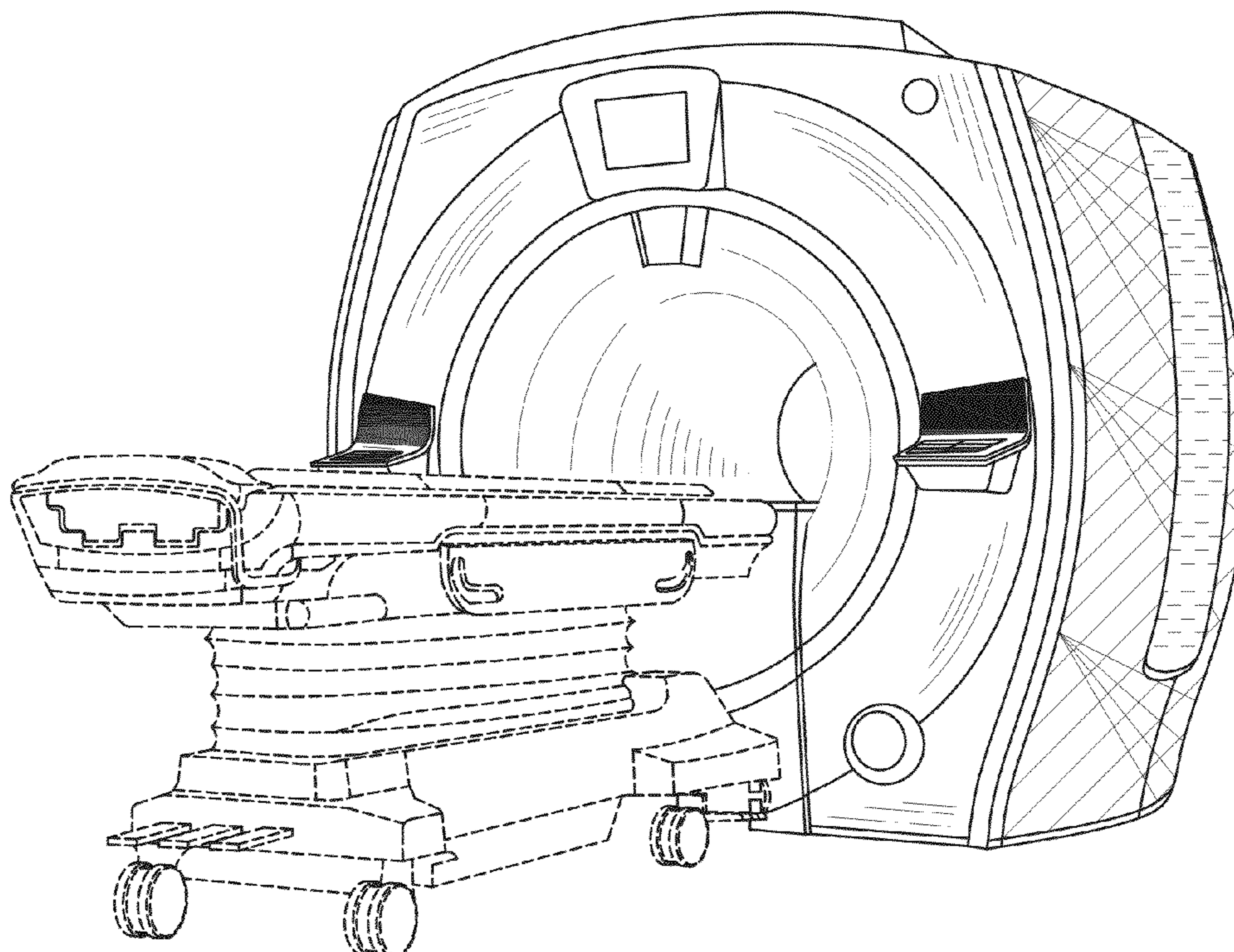
The broken lines shown in the drawings are for the purpose of illustrating portions of the article that form no part of the claimed design.

(56) **References Cited**

U.S. PATENT DOCUMENTS

D323,711 S	*	2/1992	Takekoshi et al. ....	D24/159
D590,504 S	*	4/2009	Ogiwara .....	D24/158
D625,416 S	*	10/2010	Kasai et al. ....	D24/158
D628,294 S	*	11/2010	Baba .....	D24/158
D639,950 S	*	6/2011	Ramos .....	D24/158
D649,250 S	*	11/2011	Ishihara et al. ....	D24/158
D659,248 S	*	5/2012	Ramos .....	D24/159

**1 Claim, 7 Drawing Sheets**



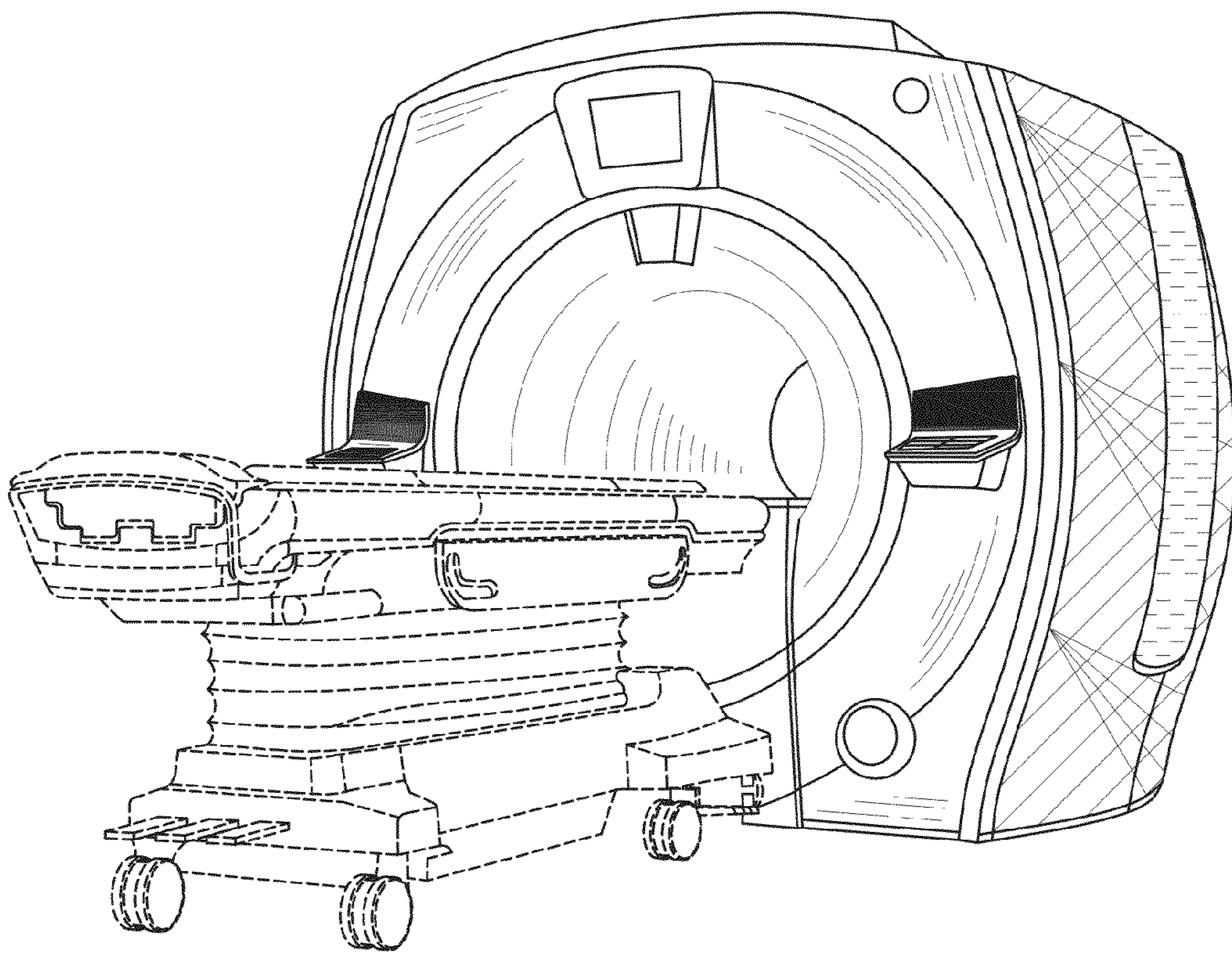


FIG. 1



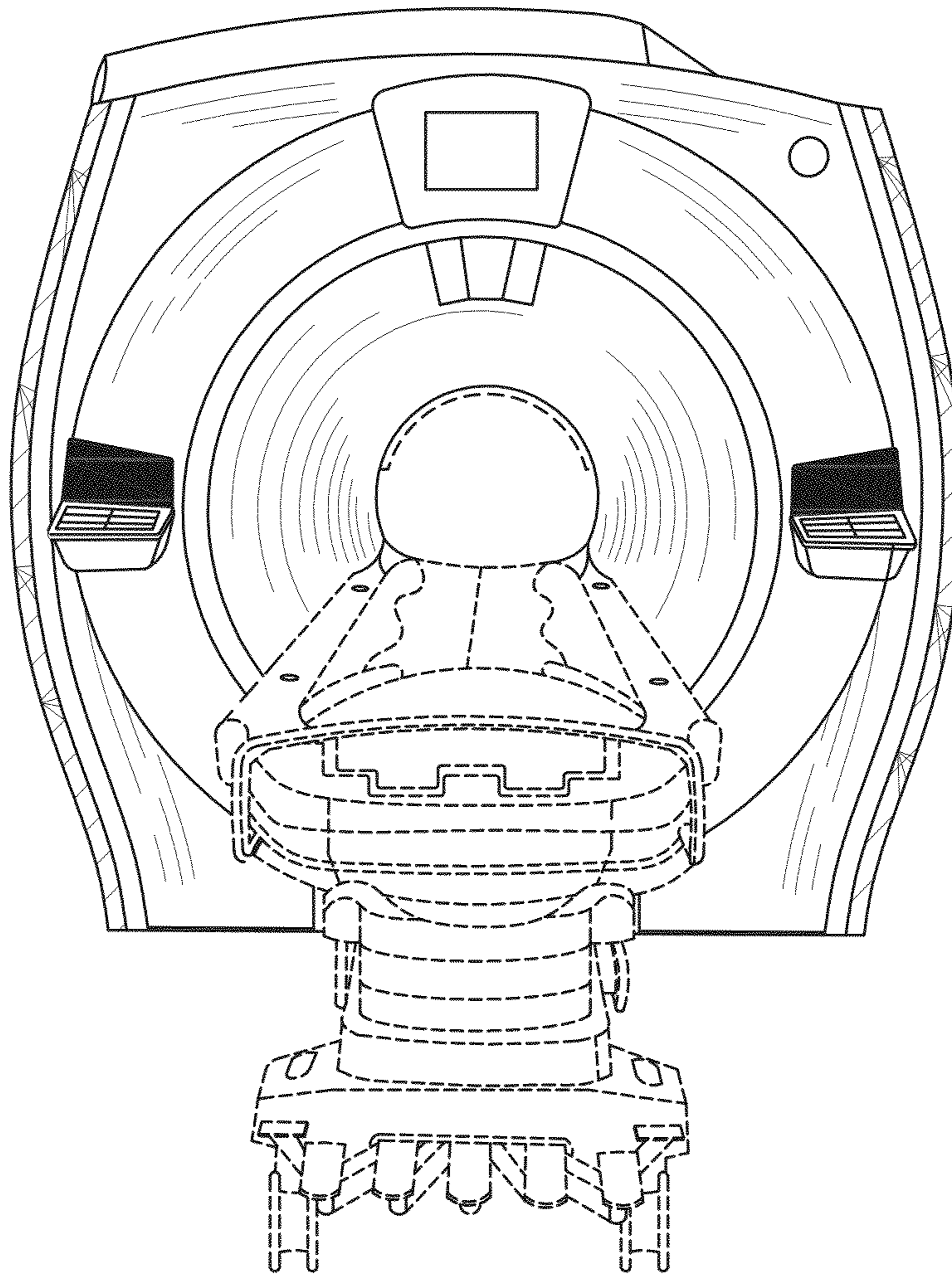


FIG. 2

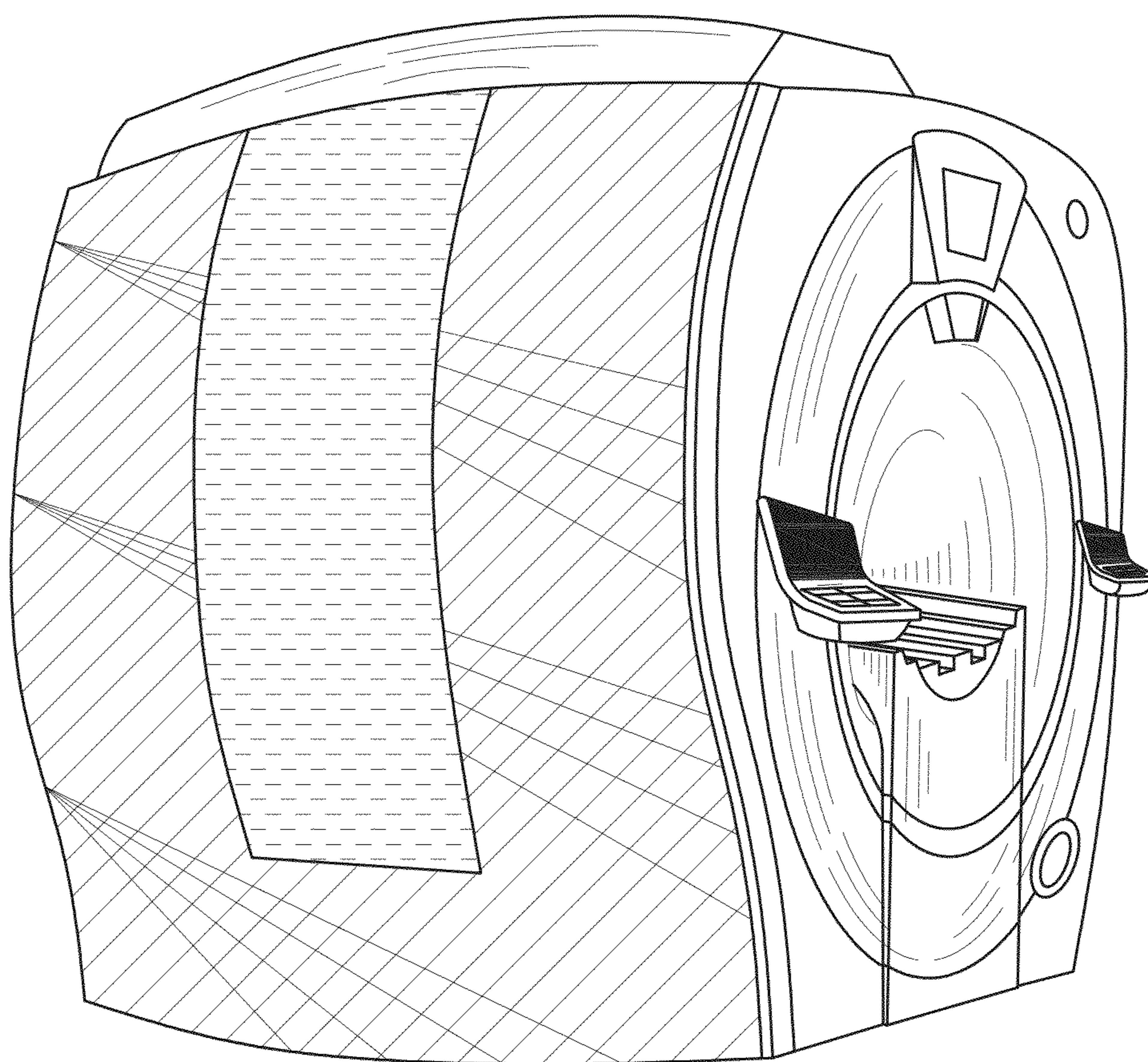


FIG. 3

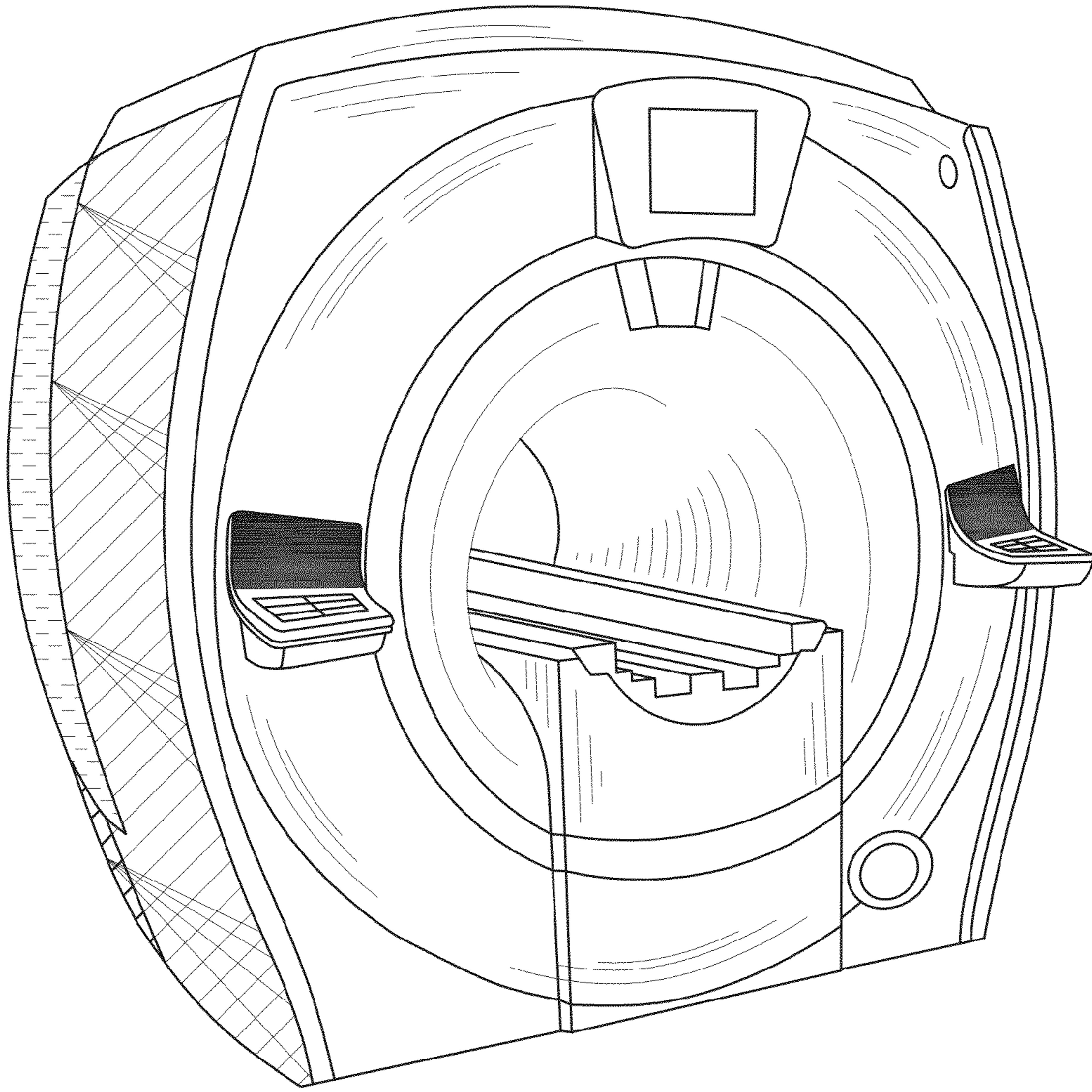


FIG. 4



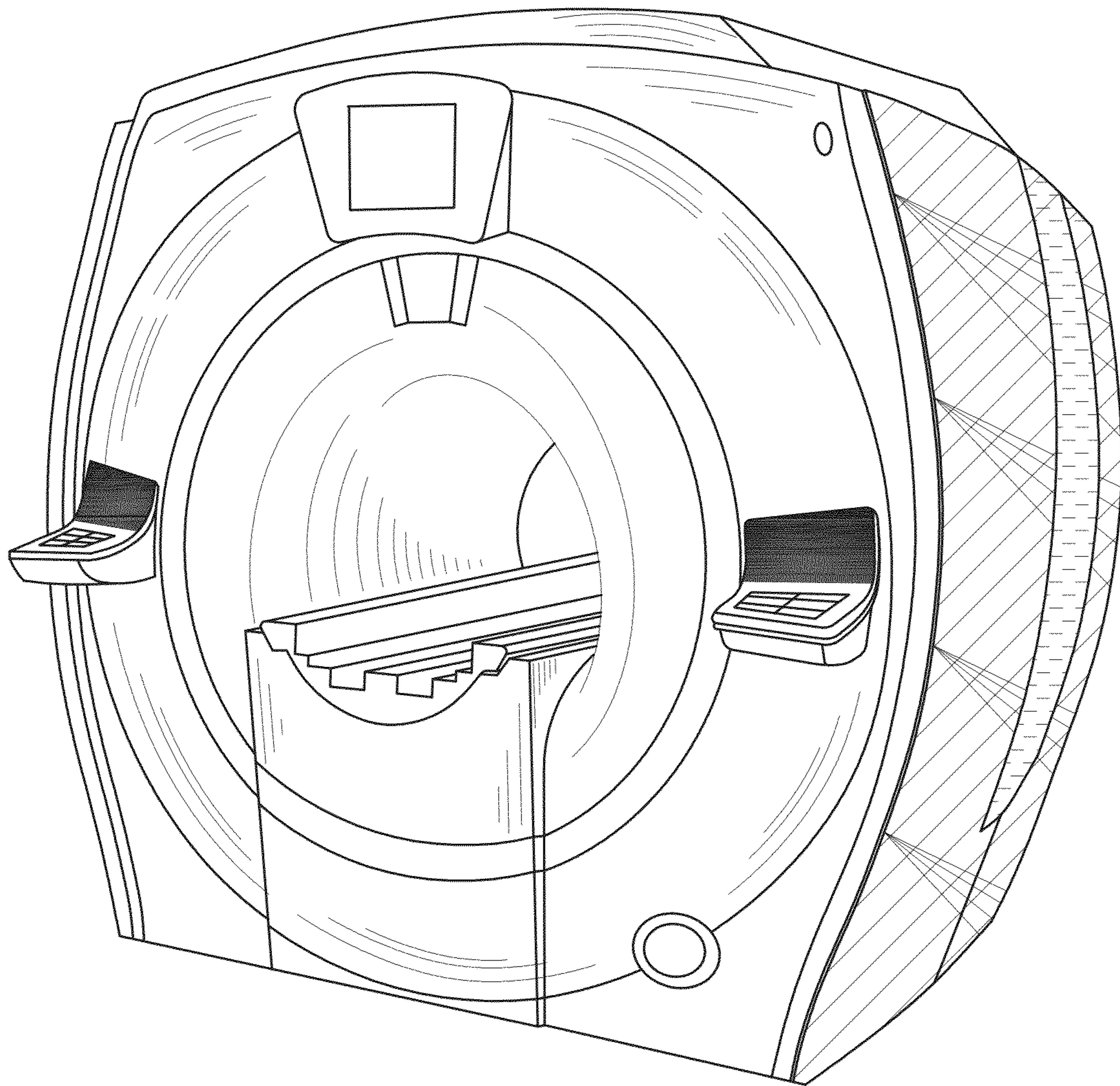


FIG. 5

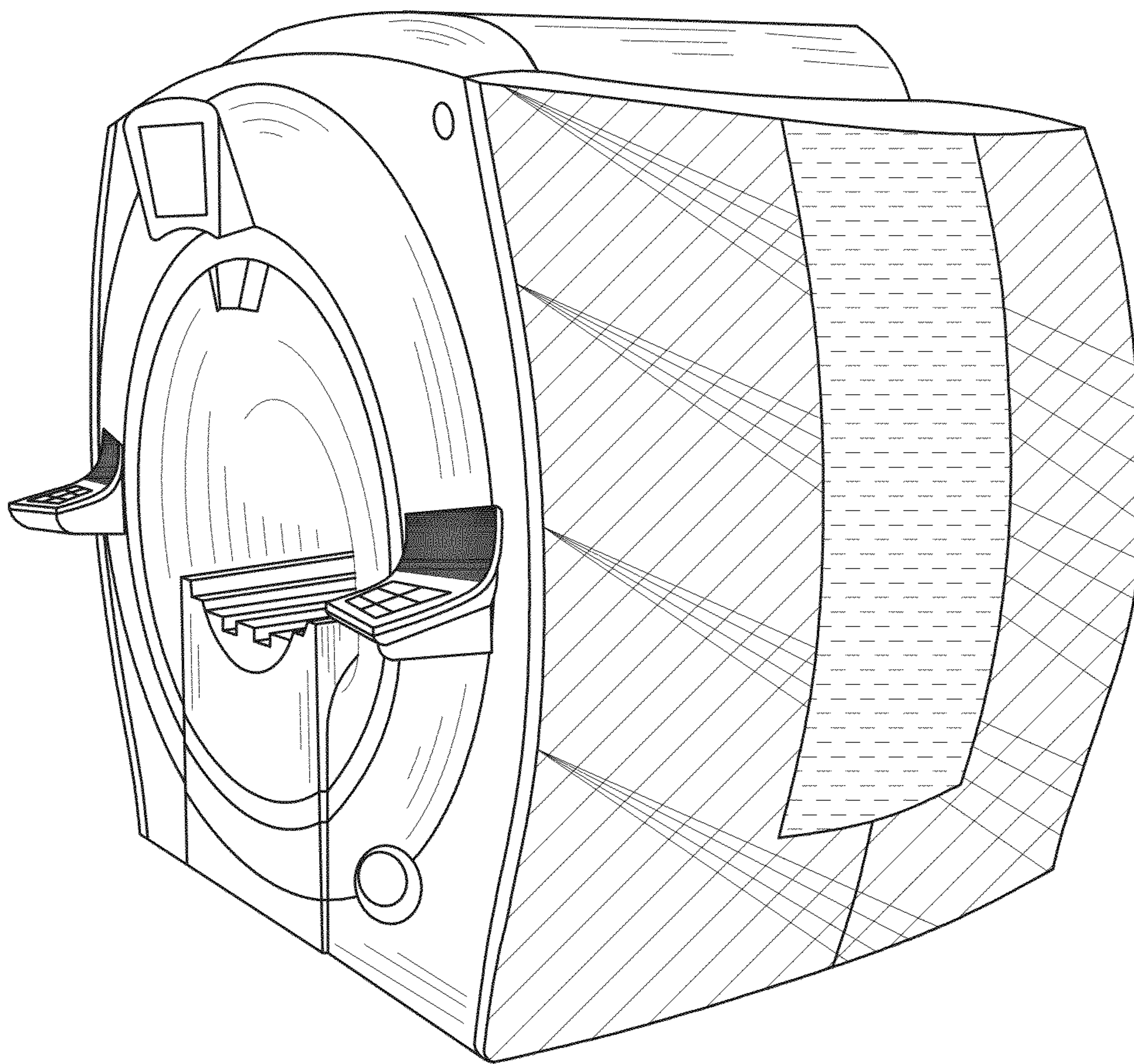


FIG. 6

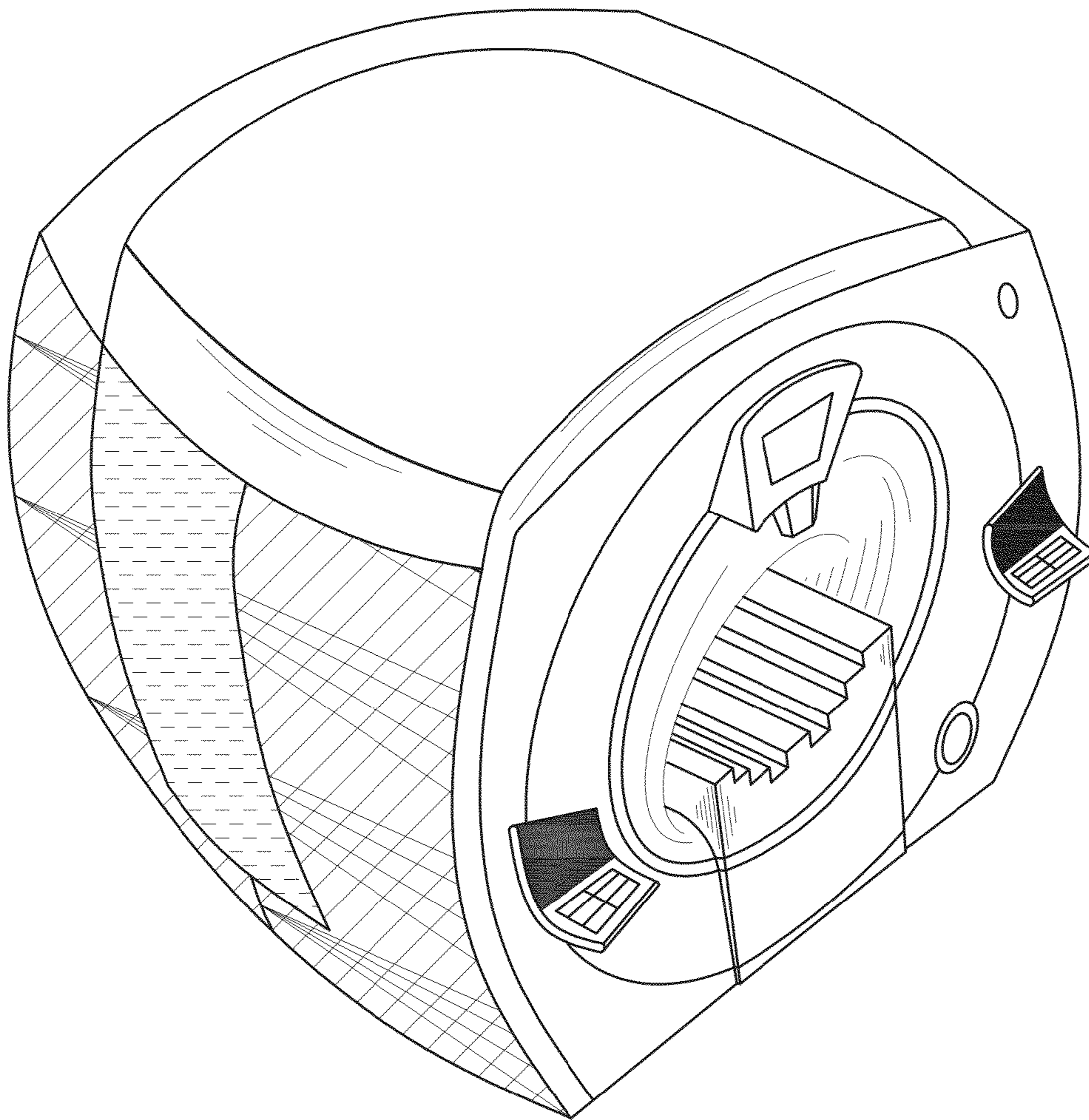


FIG. 7