



US00D703317S

(12) **United States Design Patent**
Kinsey

(10) **Patent No.:** **US D703,317 S**

(45) **Date of Patent:** **** Apr. 22, 2014**

(54) **MEDICAL TUBE HOLDER**

(71) Applicant: **Daniel P. Kinsey**, Sarasota, FL (US)

(72) Inventor: **Daniel P. Kinsey**, Sarasota, FL (US)

(**) Term: **14 Years**

(21) Appl. No.: **29/443,684**

(22) Filed: **Jan. 21, 2013**

(51) **LOC (10) Cl.** **24-02**

(52) **U.S. Cl.**
USPC **D24/128**

(58) **Field of Classification Search**
USPC D24/127-130, 112-114; 604/263, 264,
604/162, 268, 164.08, 174-180;
128/DIG. 26; D8/354, 356, 355, 394
See application file for complete search history.

(56) **References Cited**

U.S. PATENT DOCUMENTS

4,571,245	A *	2/1986	Hubbard et al.	D24/128
D290,041	S *	5/1987	Scott	D24/128
5,098,399	A *	3/1992	Tollini	604/180
5,147,322	A *	9/1992	Bowen et al.	604/180
5,352,209	A *	10/1994	Bird et al.	604/179
5,941,856	A *	8/1999	Kovacs et al.	604/179
D433,133	S *	10/2000	Dyer	D24/128
D452,312	S *	12/2001	Crawford et al.	D24/112
6,419,660	B1 *	7/2002	Russo	604/180
6,565,537	B2 *	5/2003	Tollini	604/174

6,689,105	B2 *	2/2004	Tollini	604/180
D608,887	S *	1/2010	Kyvik et al.	D24/130
7,985,195	B2 *	7/2011	Jennings-Spring	602/63

* cited by examiner

Primary Examiner — David Muller

(74) *Attorney, Agent, or Firm* — QuickPatents; Kevin Prince

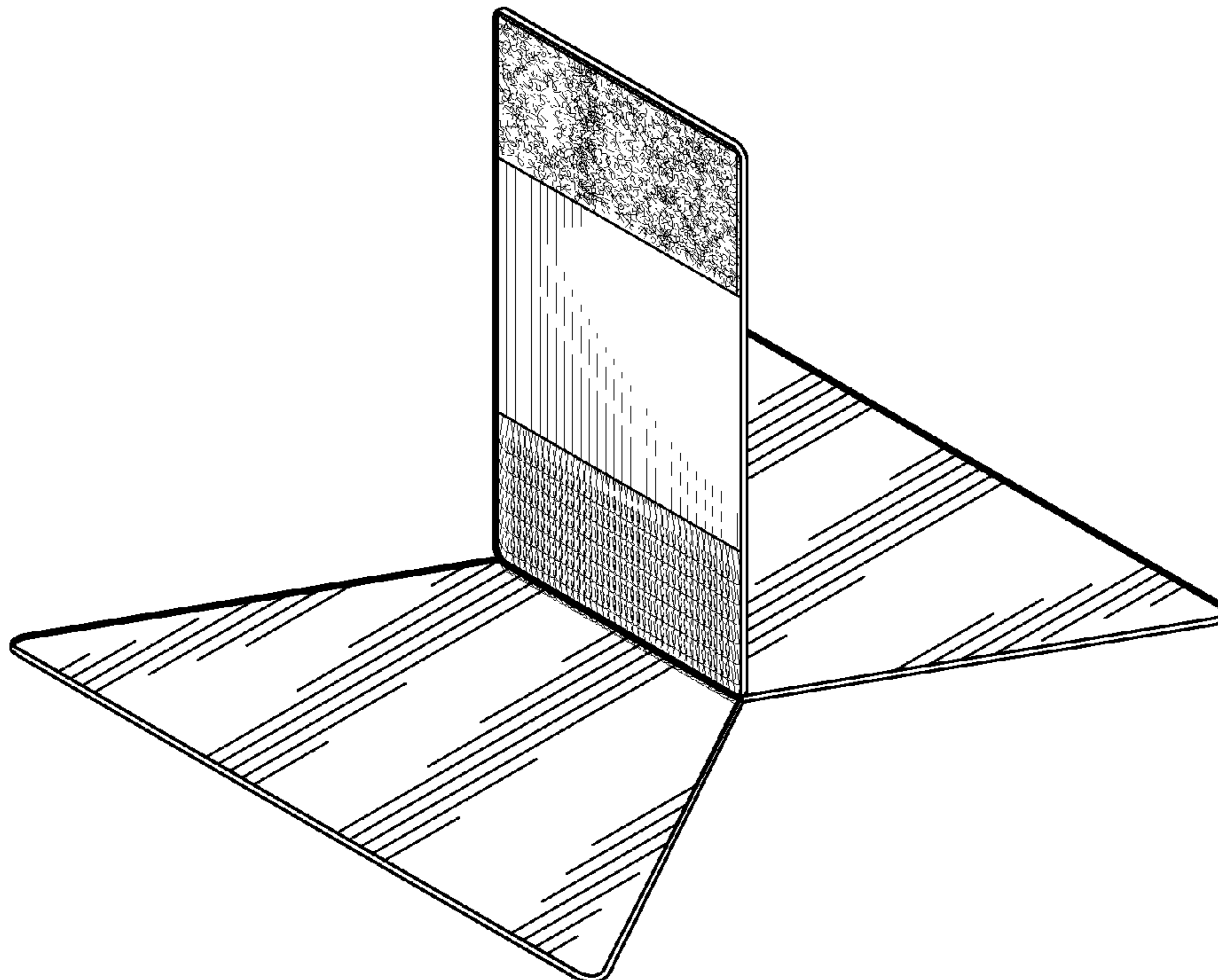
(57) **CLAIM**

I claim the ornamental design for a medical tube holder, as shown and described.

DESCRIPTION

FIG. 1 is a perspective view of a medical tube holder, showing my new design in a fully-extended position;
 FIG. 2 is a rear perspective view of FIG. 1;
 FIG. 3 is a top plan view of FIG. 1;
 FIG. 4 is a bottom plan view of FIG. 1;
 FIG. 5 is a front elevational view of FIG. 1;
 FIG. 6 is a rear elevational view of FIG. 1;
 FIG. 7 is a left-side elevational view of FIG. 1;
 FIG. 8 is a right side elevational view of FIG. 1;
 FIG. 9 is a front perspective view thereof in a partially-extended position
 FIG. 10 is a rear perspective view of FIG. 9;
 FIG. 11 is a perspective view thereof, illustrated in a fully collapsed position; and,
 FIG. 12 is a perspective view thereof, illustrated in a partially-collapsed position.
 The broken lines showing a tube in FIG. 10 depict environmental matter and form no part of the claimed design.

1 Claim, 6 Drawing Sheets



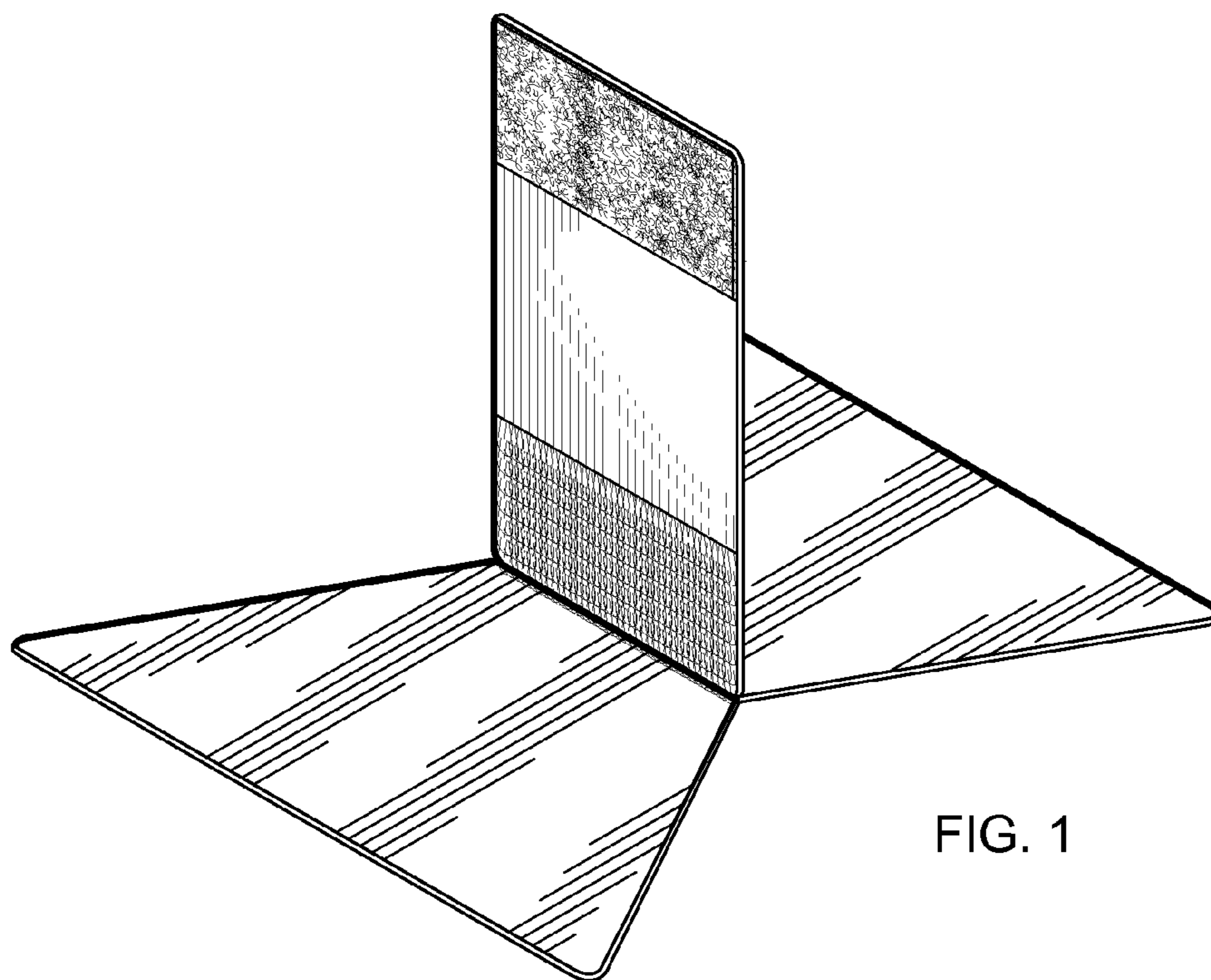


FIG. 1

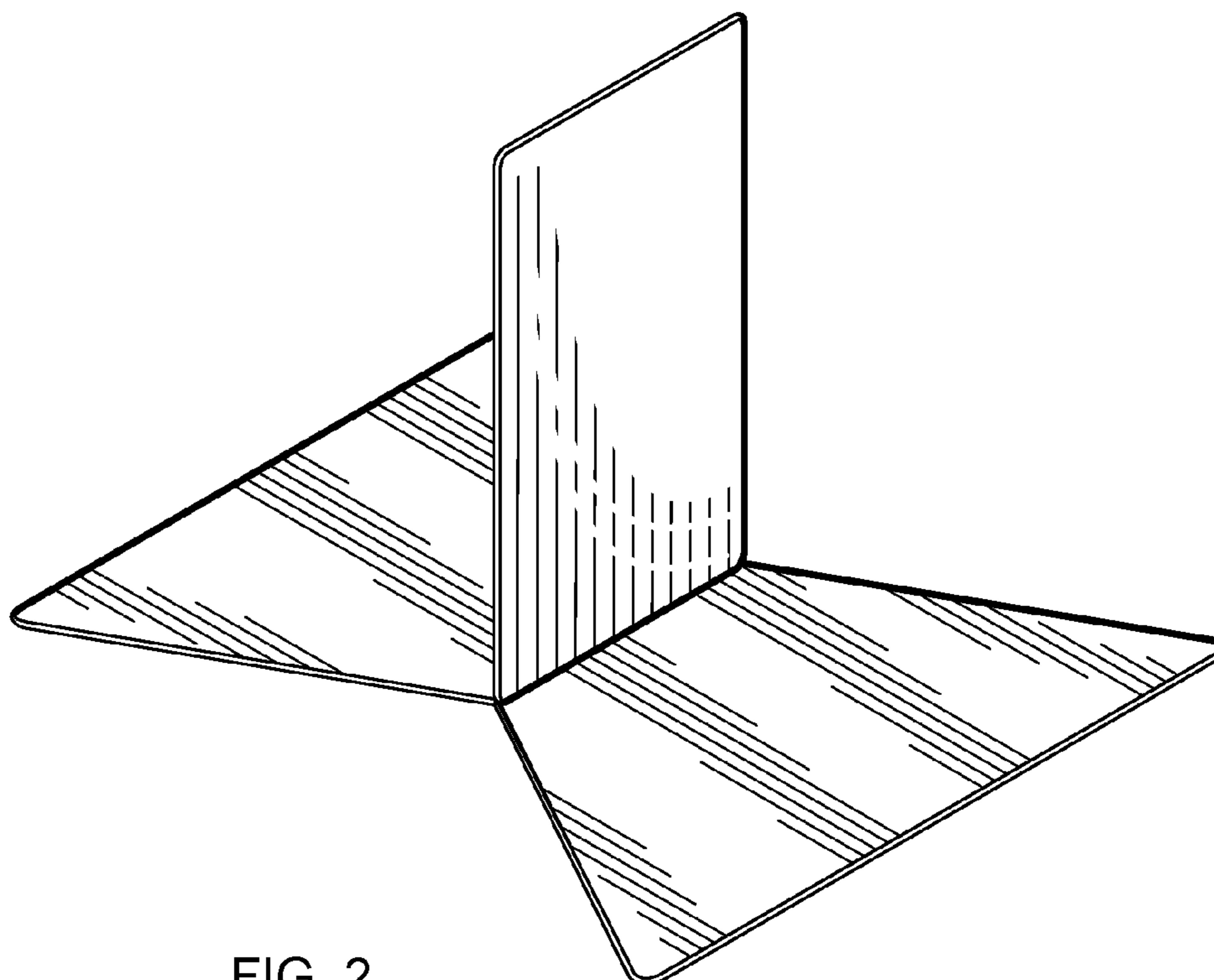


FIG. 2

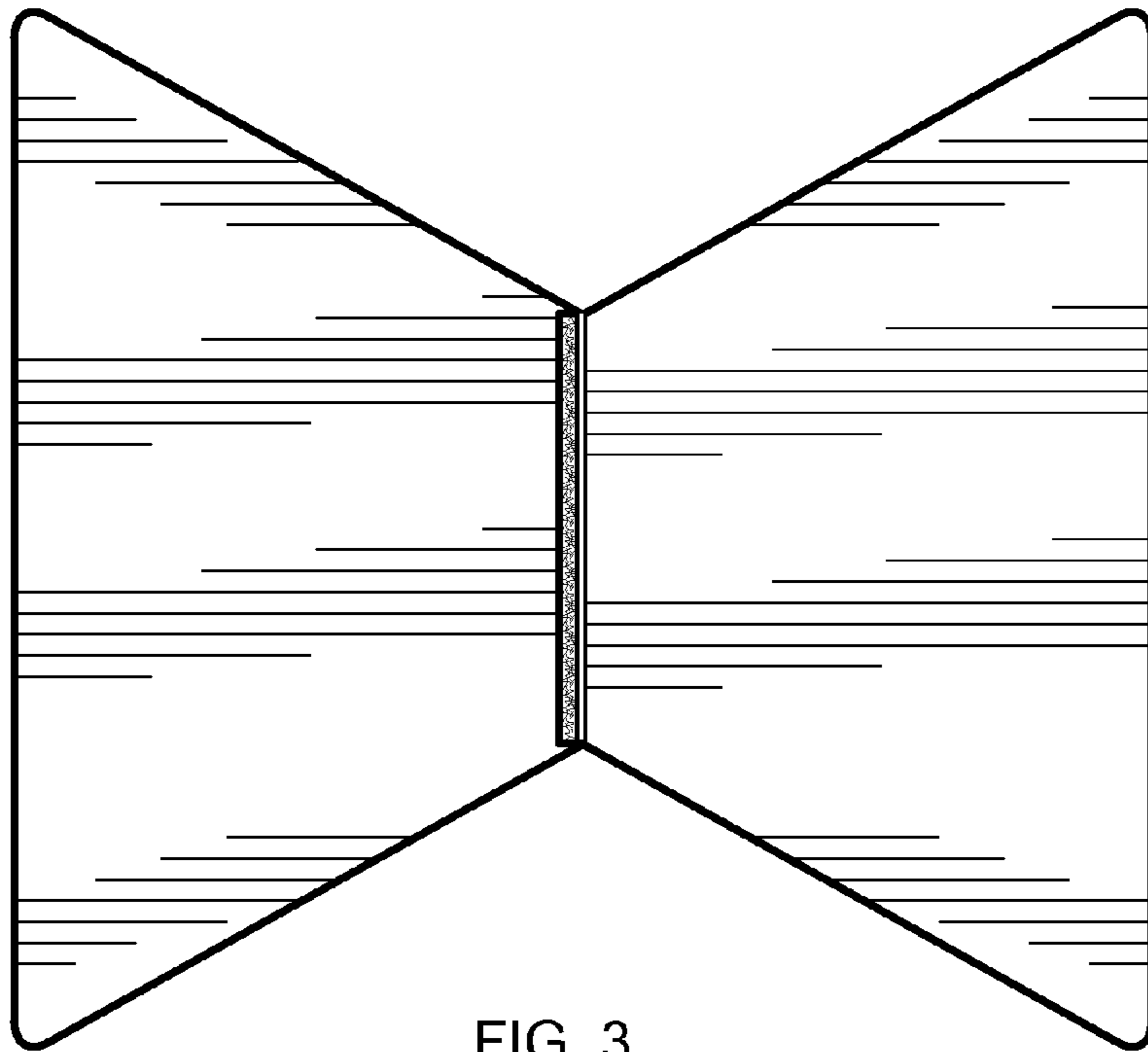


FIG. 3

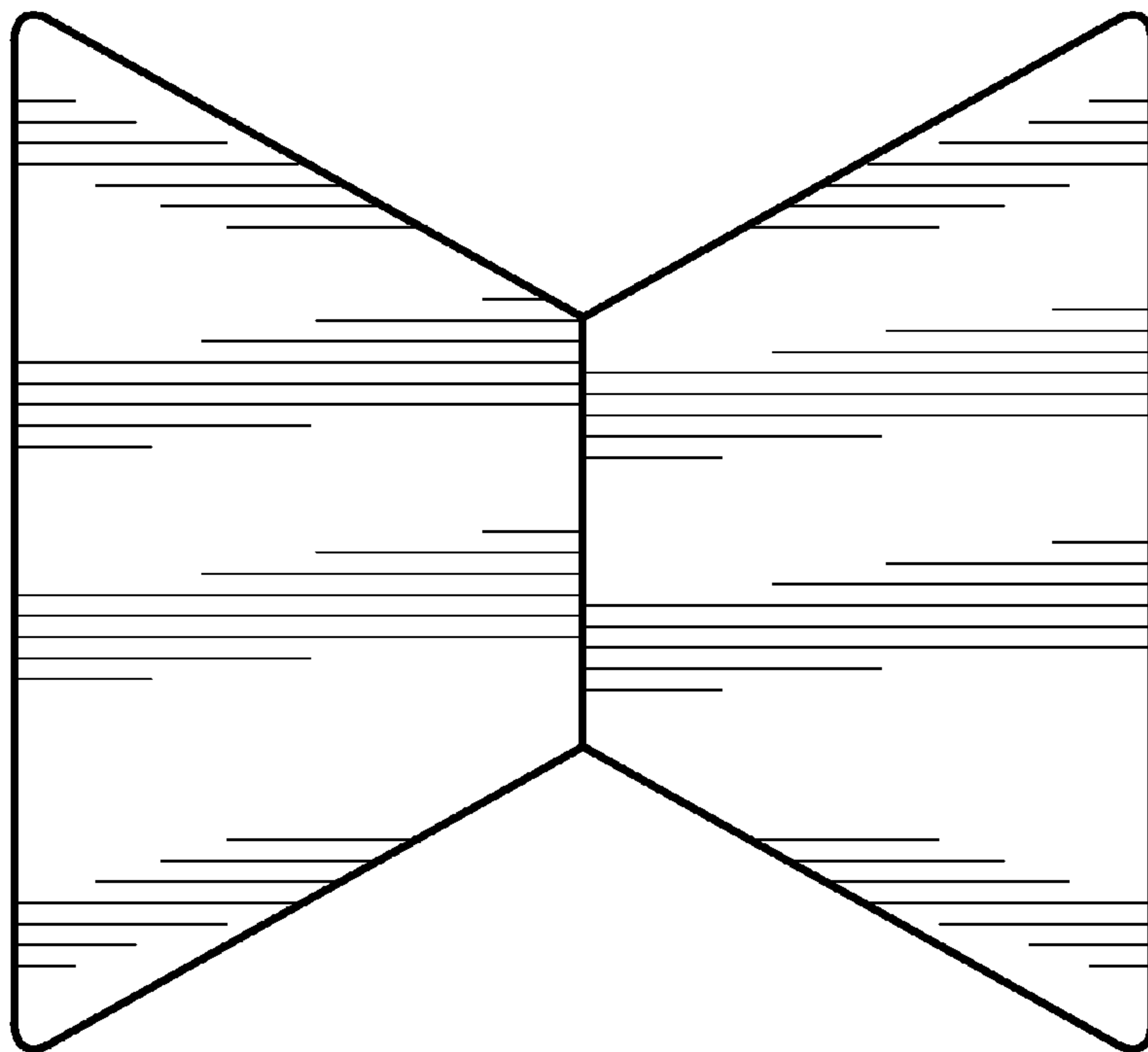


FIG. 4

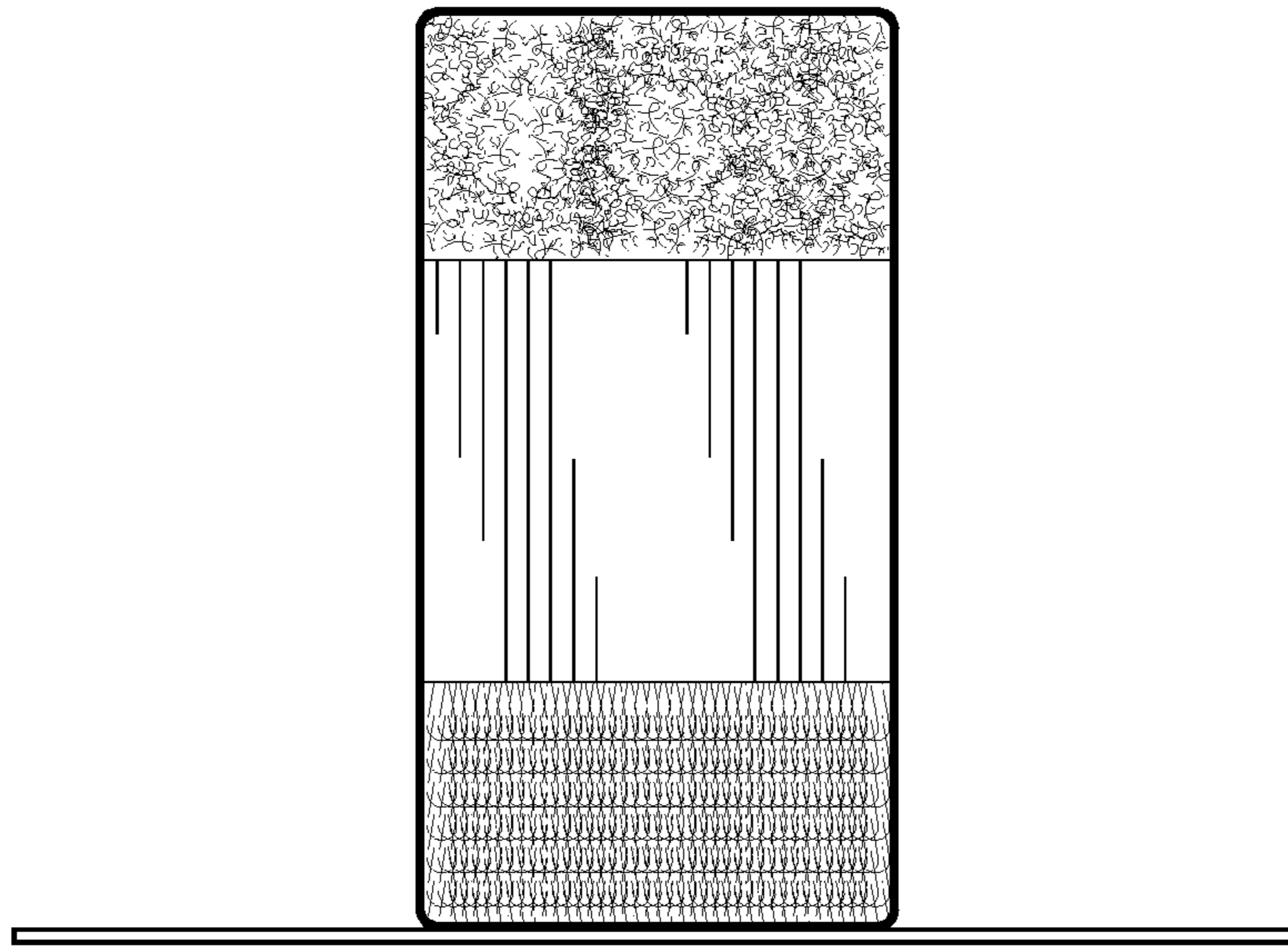


FIG. 5

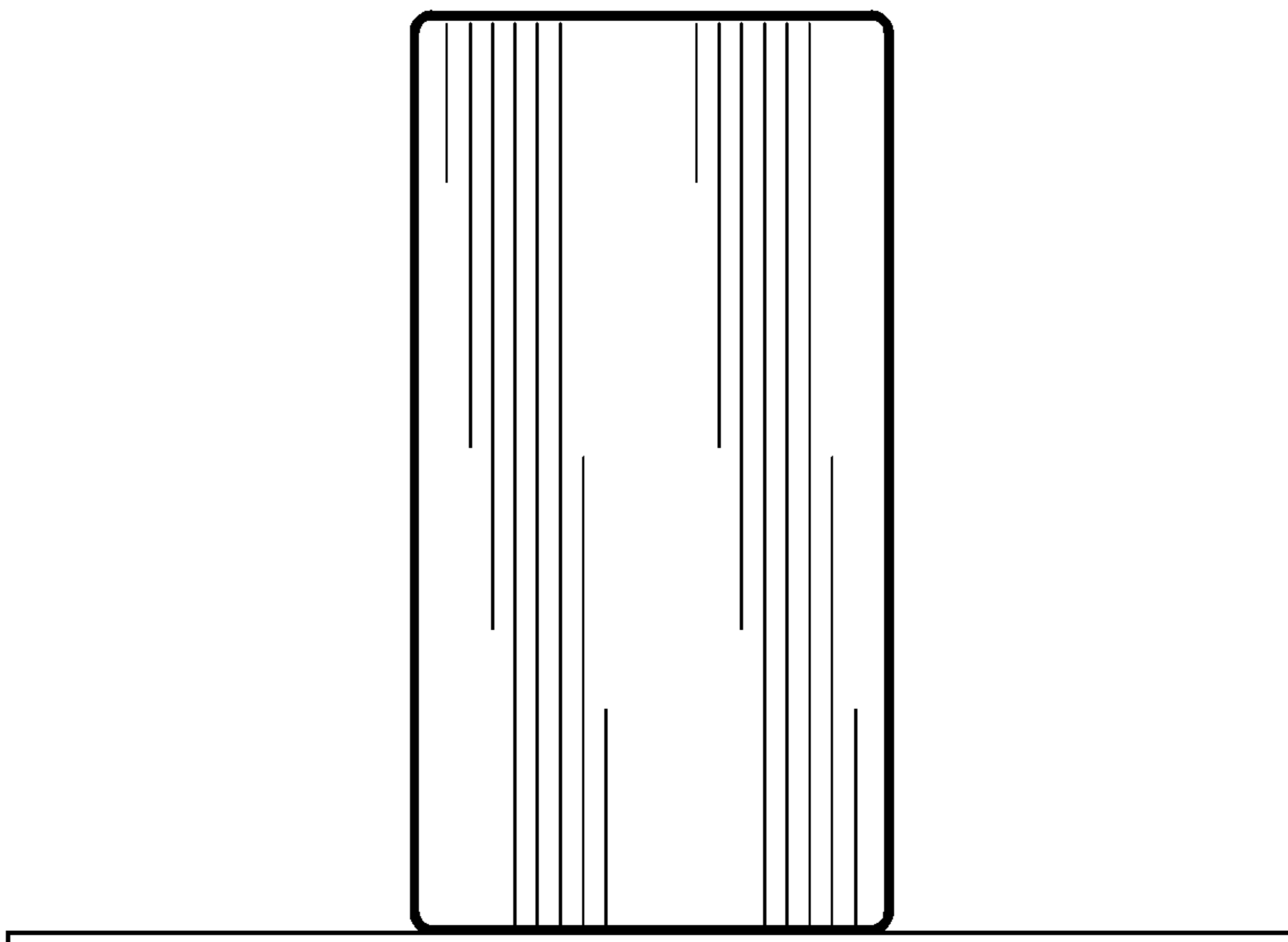


FIG. 6

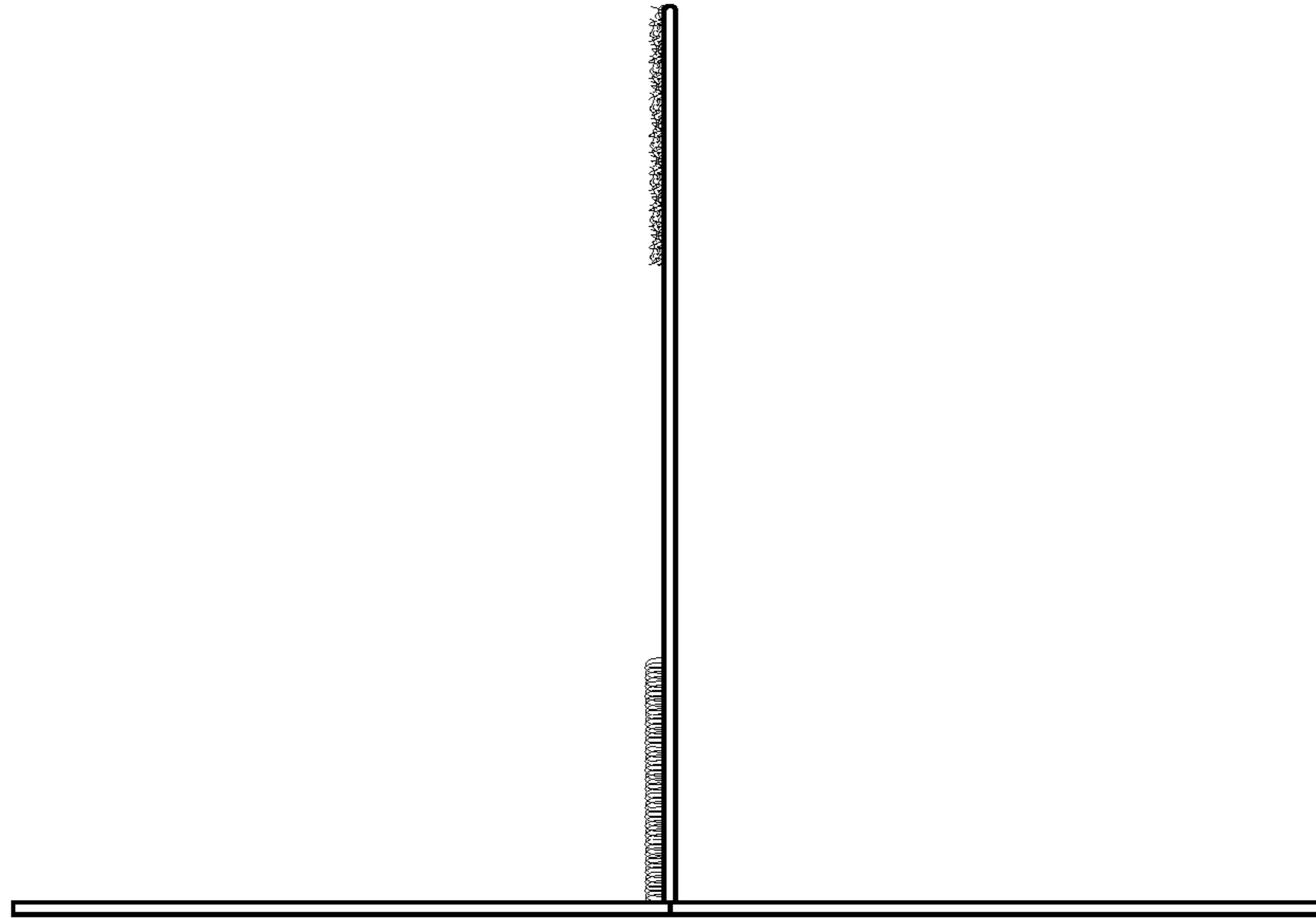


FIG. 7

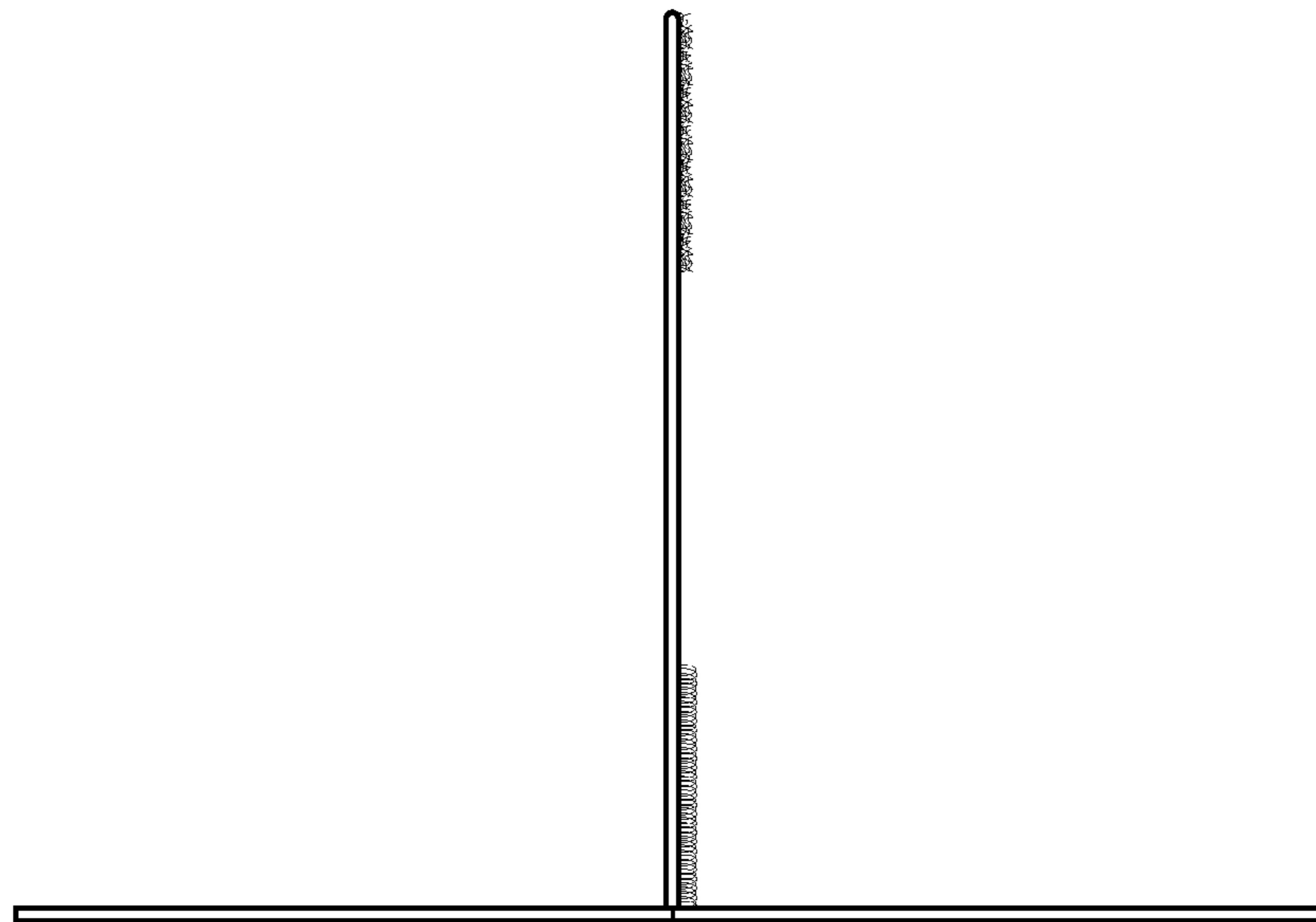
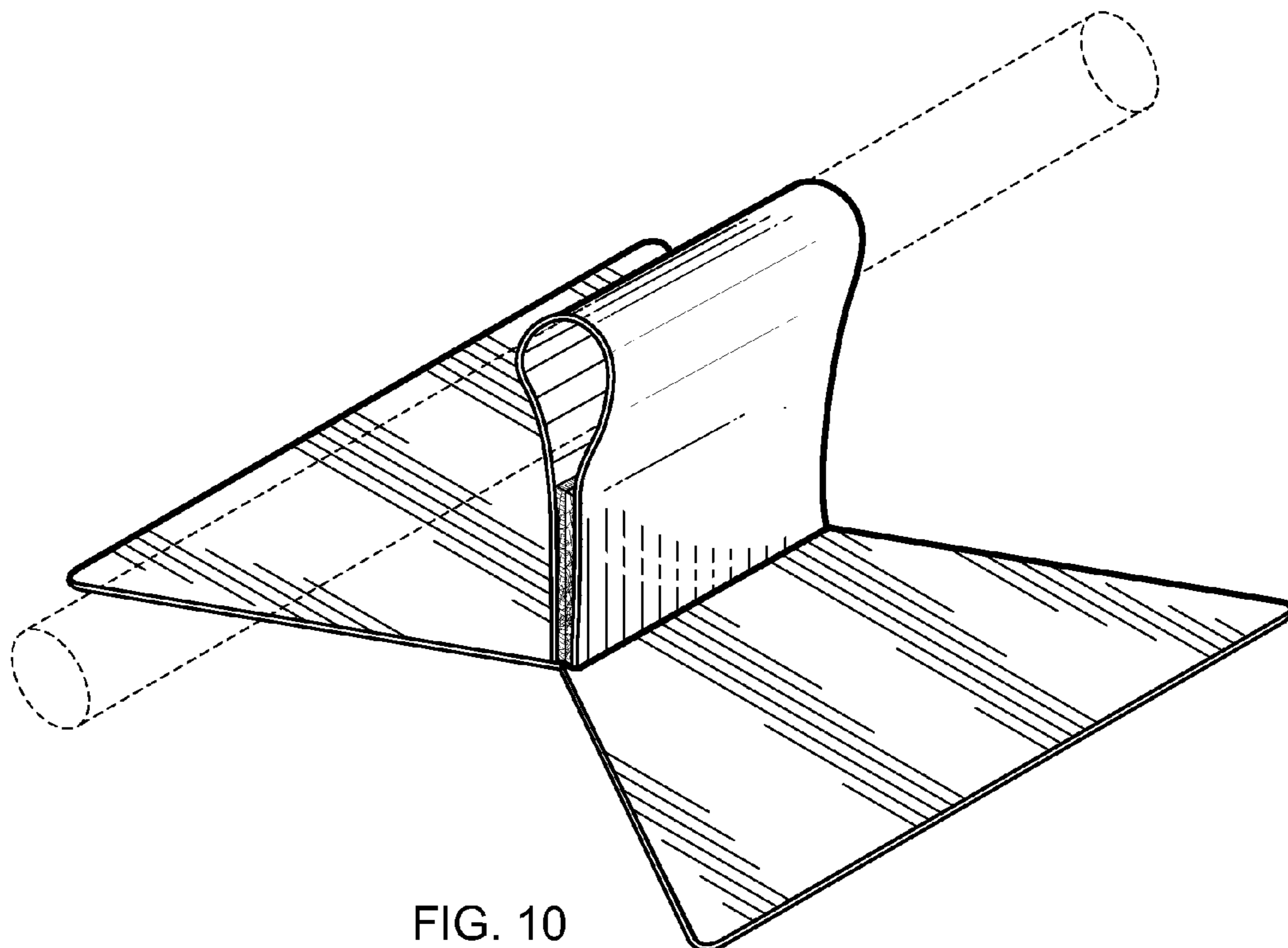
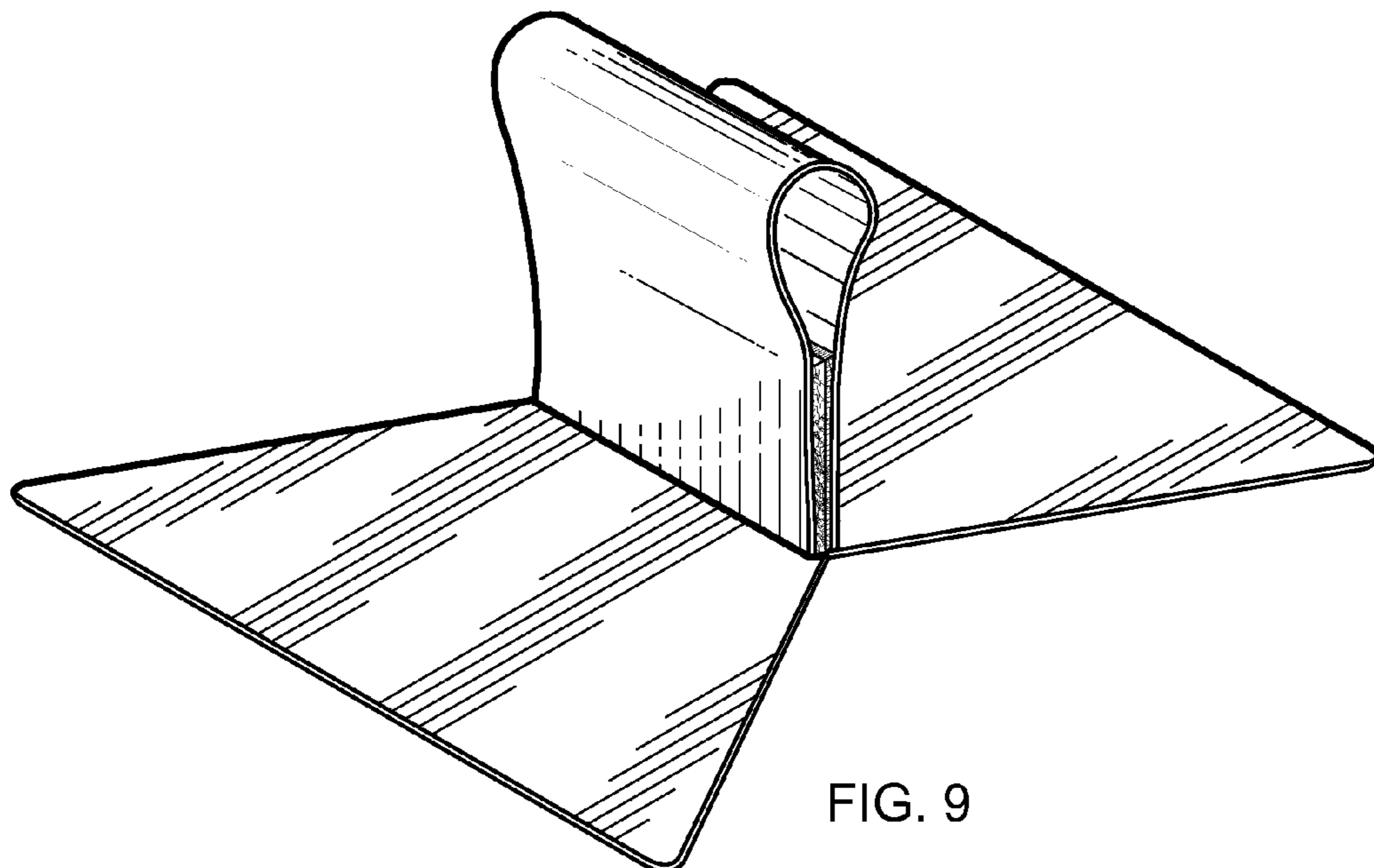


FIG. 8



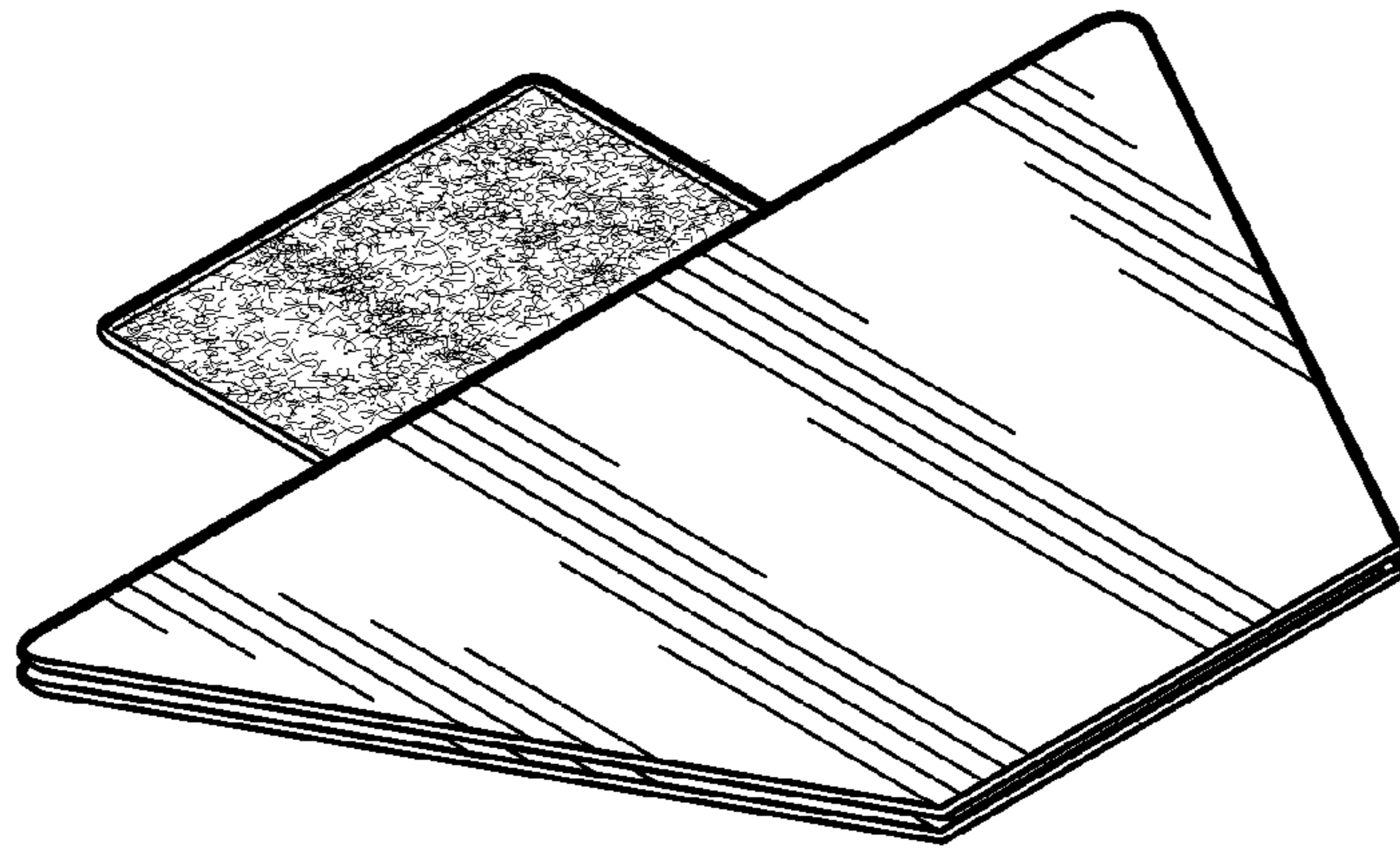


FIG. 11

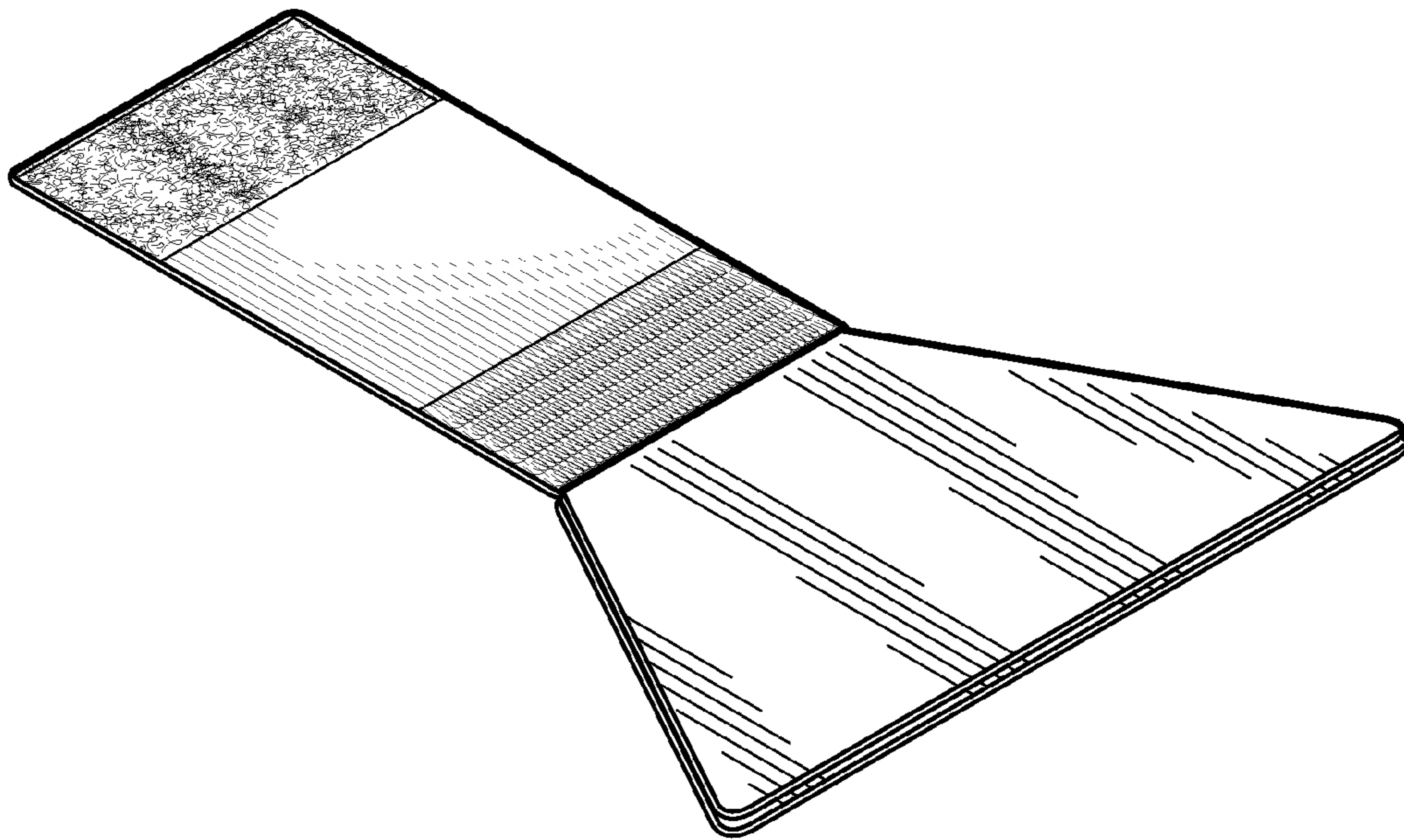


FIG. 12