



US00D703313S

(12) **United States Design Patent**  
**Ng et al.**

(10) **Patent No.:** **US D703,313 S**  
(45) **Date of Patent:** **\*\* Apr. 22, 2014**

(54) **ADJUSTABLE FOREHEAD SUPPORT DIAL FOR RESPIRATORY MASK**

128/206.25, 206.26, 206.27, 206.28,  
128/207.11, 207.13, 207.15, 207.17

See application file for complete search history.

(71) Applicant: **ResMed Limited**, Bella Vista (AU)

(56) **References Cited**

(72) Inventors: **Eva Ng**, Erskineville (AU); **Vincent Chu**, Shatin (HK); **Mark Bertinetti**, Ermington (AU); **Scott Alexander Howard**, Frenchs Forest (AU); **Murray William Lee**, Quakers Hill (AU); **Philip Thomas Stallard**, Denistone East (AU); **Joshua Adam Gudiksen**, Mortdale (AU); **Susan Robyn Lynch**, Bella Vista (AU)

U.S. PATENT DOCUMENTS

1,109,318 A	9/1914	Browne et al.	
D121,069 S	6/1940	Hansen	
D188,471 S	7/1960	Terwilliger	
3,234,939 A	2/1966	Morton, Jr.	
D205,338 S *	7/1966	Kilbourn .....	D23/260
4,182,458 A	1/1980	Meckler	
4,261,478 A *	4/1981	Summers .....	220/270
D259,704 S	6/1981	Castronovo	
D287,938 S	1/1987	Sachs	
4,873,972 A	10/1989	Magidson et al.	
D328,033 S	7/1992	DiGuisseppi	

(Continued)

OTHER PUBLICATIONS

Ng et al., Parent U.S. Appl. No. 29/444,187, filed Jan. 28, 2013.

*Primary Examiner* — Rashida Johnson

(74) *Attorney, Agent, or Firm* — Nixon & Vanderhye, P.C.

(57) **CLAIM**

The ornamental design for an adjustable forehead support dial for respiratory mask, as shown and described.

**DESCRIPTION**

FIG. 1 is a front perspective view of an adjustable forehead support dial for respiratory mask showing our new design; FIG. 2 is a reverse perspective view thereof; FIG. 3 is a front view thereof; FIG. 4 is a rear view thereof; FIG. 5 is a top view thereof; and, FIG. 6 is a left side view thereof.

The broken lines represent environment or structure of the adjustable forehead support dial for respiratory mask and do not form part of the claimed design.

**1 Claim, 3 Drawing Sheets**

(73) Assignee: **ResMed Limited**, Bella Vista (AU)

(\*\*) Term: **14 Years**

(21) Appl. No.: **29/465,033**

(22) Filed: **Aug. 23, 2013**

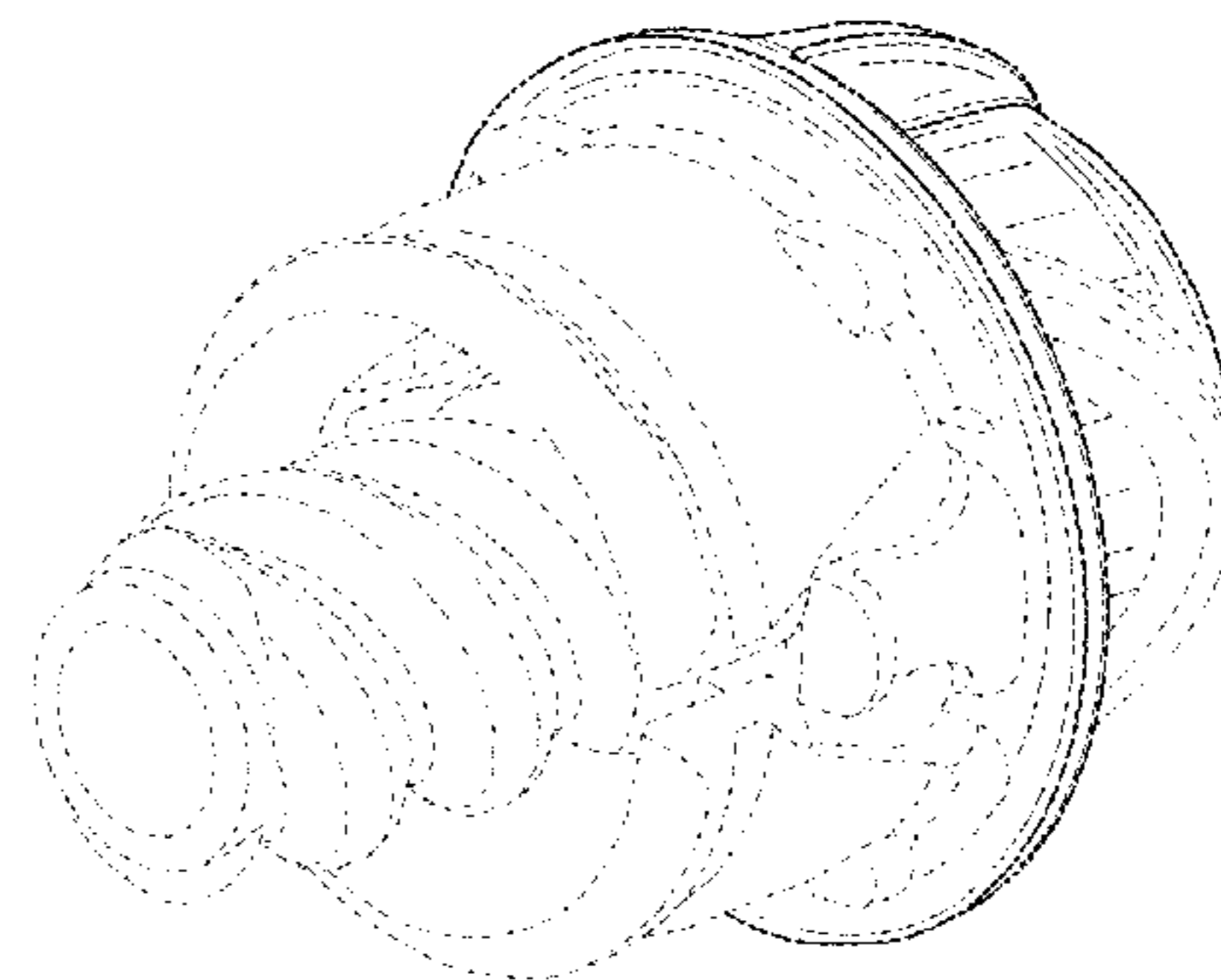
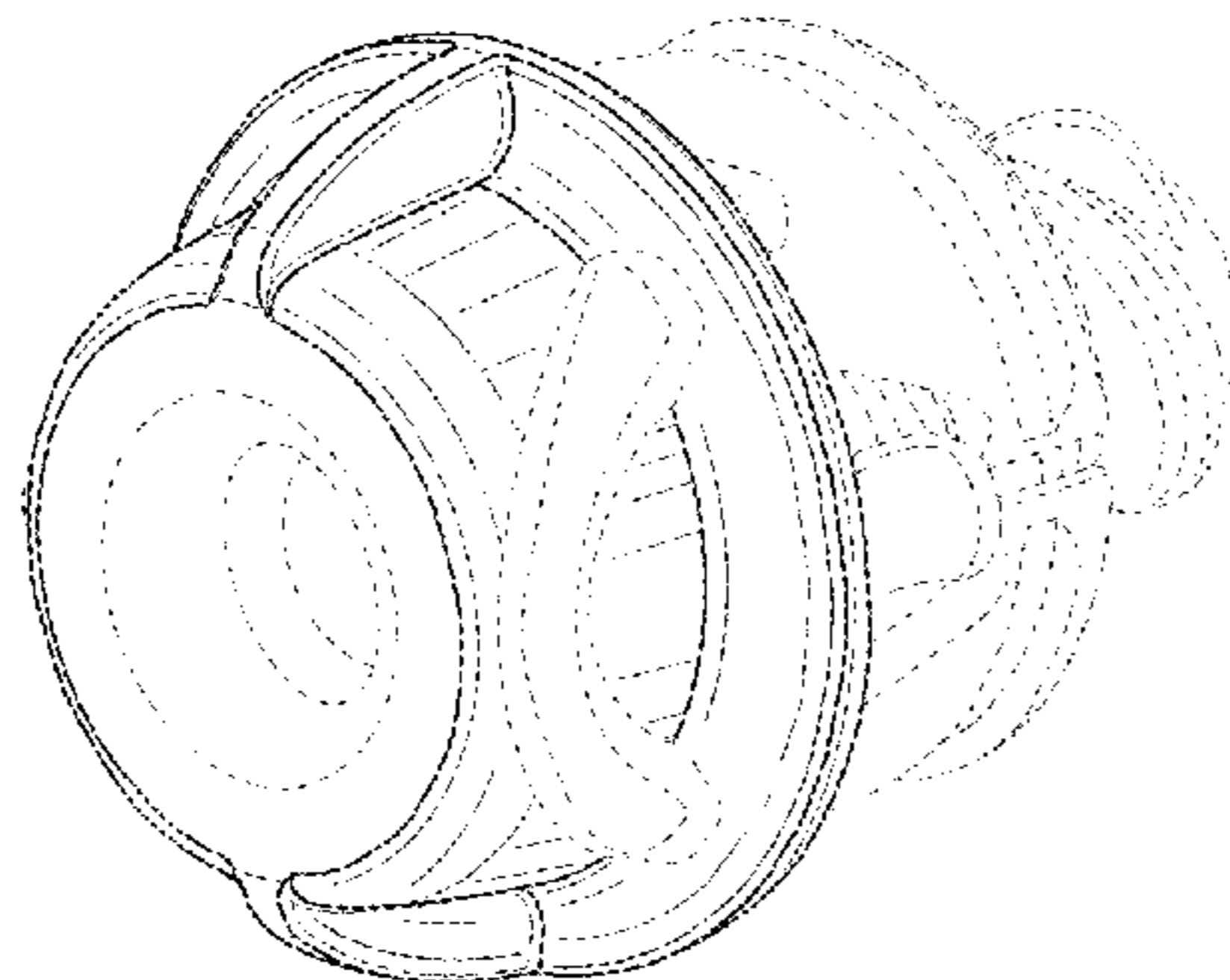
**Related U.S. Application Data**

(63) Continuation of application No. 29/444,187, filed on Jan. 28, 2013, now Pat. No. Des. 691,714, which is a continuation of application No. 29/347,600, filed on Mar. 11, 2010, now Pat. No. Des. 677,778, which is a continuation of application No. 29/311,764, filed on Jun. 15, 2009, now Pat. No. Des. 613,853, which is a continuation of application No. 29/268,827, filed on Nov. 14, 2006, now Pat. No. Des. 596,739.

(51) **LOC (10) Cl.** ..... **29-02**

(52) **U.S. Cl.**  
USPC ..... **D24/110.1**

(58) **Field of Classification Search**  
USPC ..... D24/110, 110.1, 110.4, 110.5, 110.6,  
D24/129, 164; 128/204.18, 205.25, 205.29,  
128/206.12, 206.13, 206.14, 206.18,  
128/206.19, 206.21, 206.23, 206.24,



(56)

**References Cited**

U.S. PATENT DOCUMENTS

5,240,479 A	8/1993	Bachinski			
D354,914 S *	1/1995	Newman .....	D9/503		
D375,018 S	10/1996	Goto et al.			
5,803,285 A	9/1998	Hirota			
6,532,961 B1	3/2003	Kwok et al.			
D480,640 S	10/2003	Oyama et al.			
D493,221 S	7/2004	Smart			
D493,522 S	7/2004	Fu et al.			
D501,138 S	1/2005	Uchiyama			
D515,698 S	2/2006	Lang et al.			
D528,417 S	9/2006	Matsuda et al.			
D543,620 S	5/2007	Chu et al.			
D562,446 S	2/2008	Chu et al.			
				D596,739 S	7/2009 Ng et al.
				D597,661 S	8/2009 Reid et al.
				D613,853 S	4/2010 Ng et al.
				D616,984 S *	6/2010 Gilboa ..... D24/129
				D623,049 S *	9/2010 Zeyfang ..... D8/397
				D630,721 S *	1/2011 Kenyon et al. .... D23/379
				D643,288 S *	8/2011 Taylor ..... D9/453
				D657,864 S *	4/2012 Moody et al. .... D24/110.6
				D660,695 S	5/2012 Ishizawa et al.
				D662,869 S *	7/2012 Ballard ..... D12/213
				D675,526 S *	2/2013 Obrist ..... D9/453
				D675,655 S *	2/2013 Leach ..... D15/144
				D677,778 S	3/2013 Ng et al.
				2002/0185134 A1	12/2002 Bishop
				2003/0029456 A1	2/2003 Lambert
				2006/0138878 A1 *	6/2006 Hoffman et al. .... 310/43

\* cited by examiner

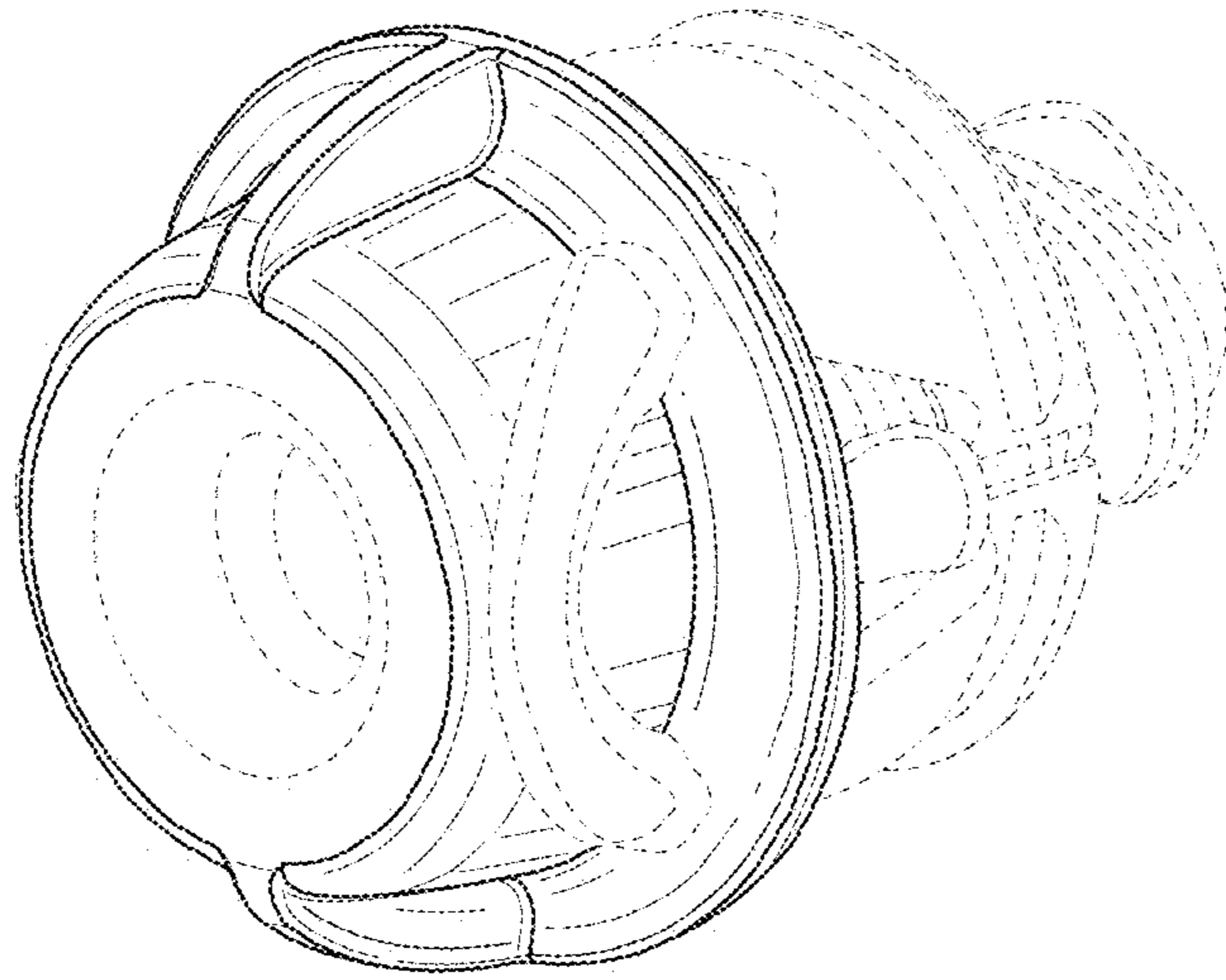


FIG. 1

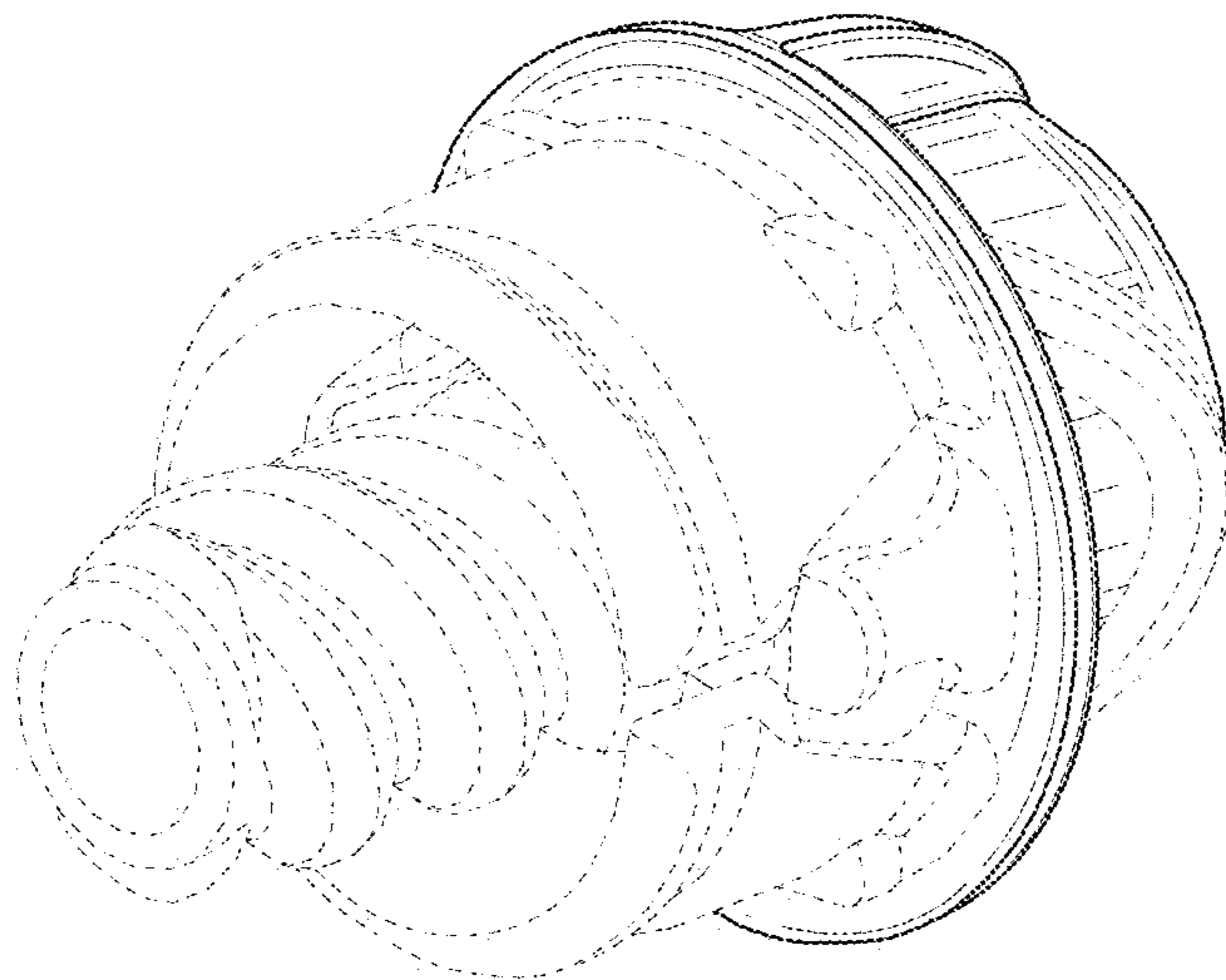


FIG. 2

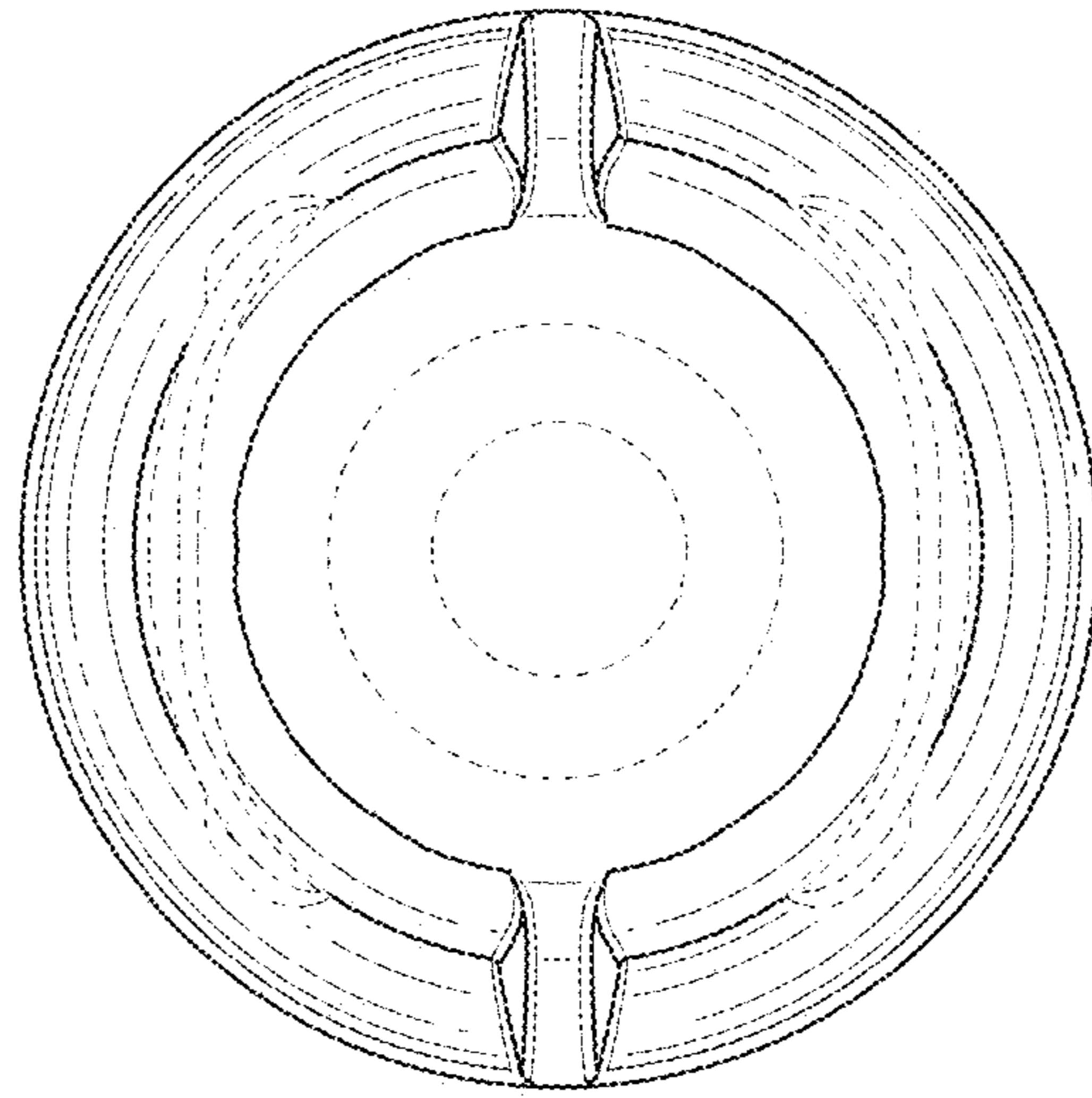


FIG. 3

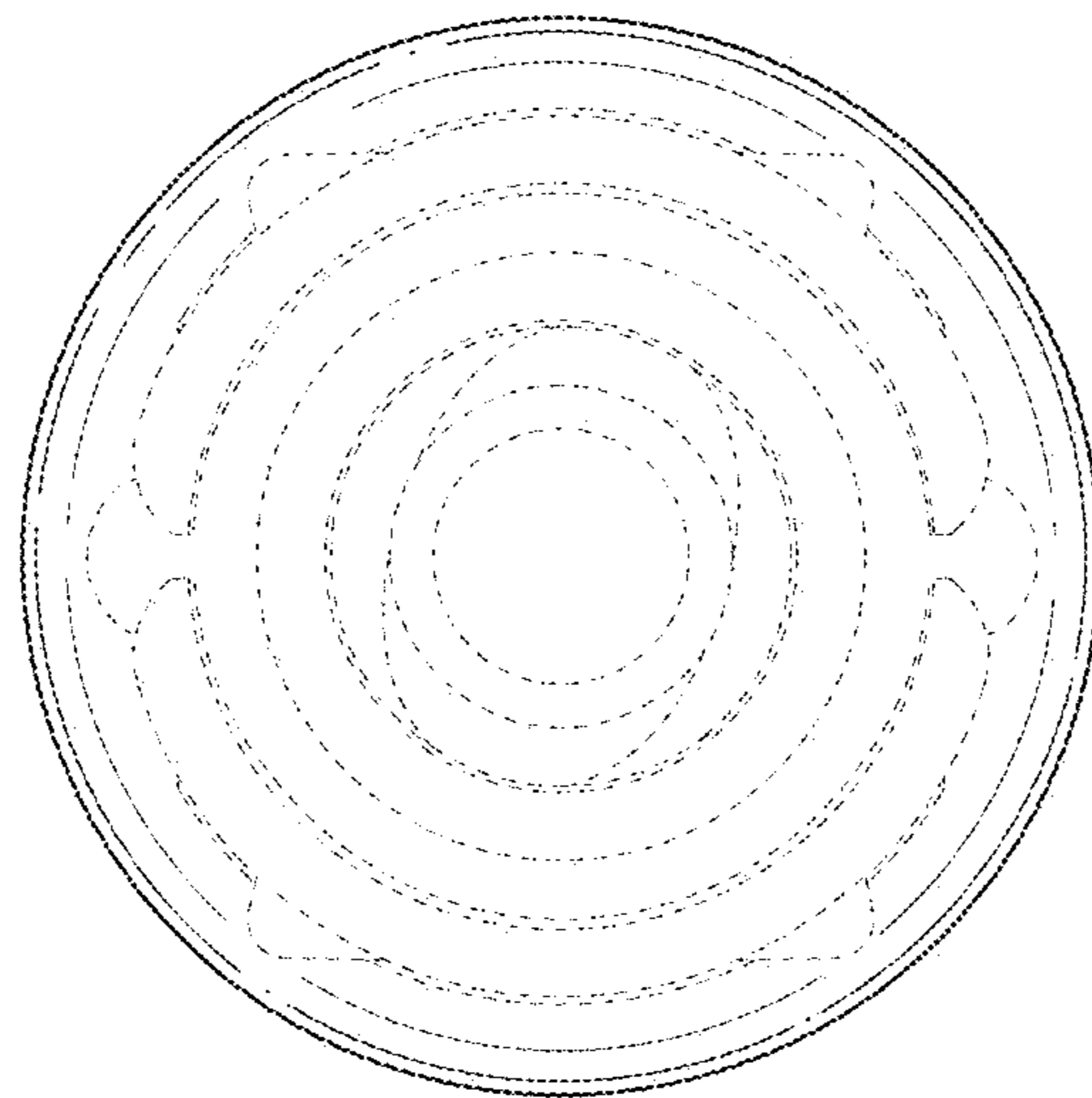


FIG. 4

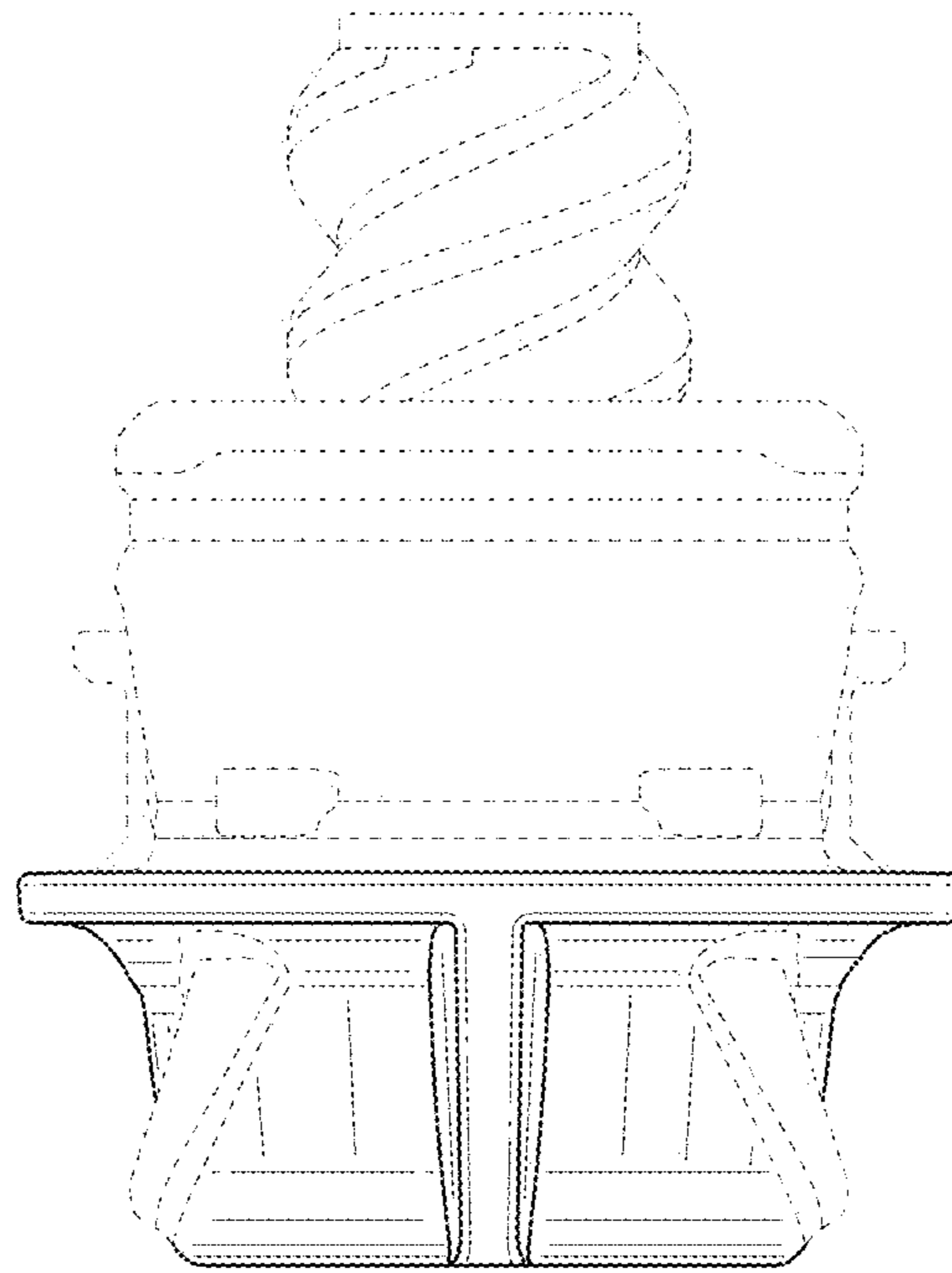


FIG. 5

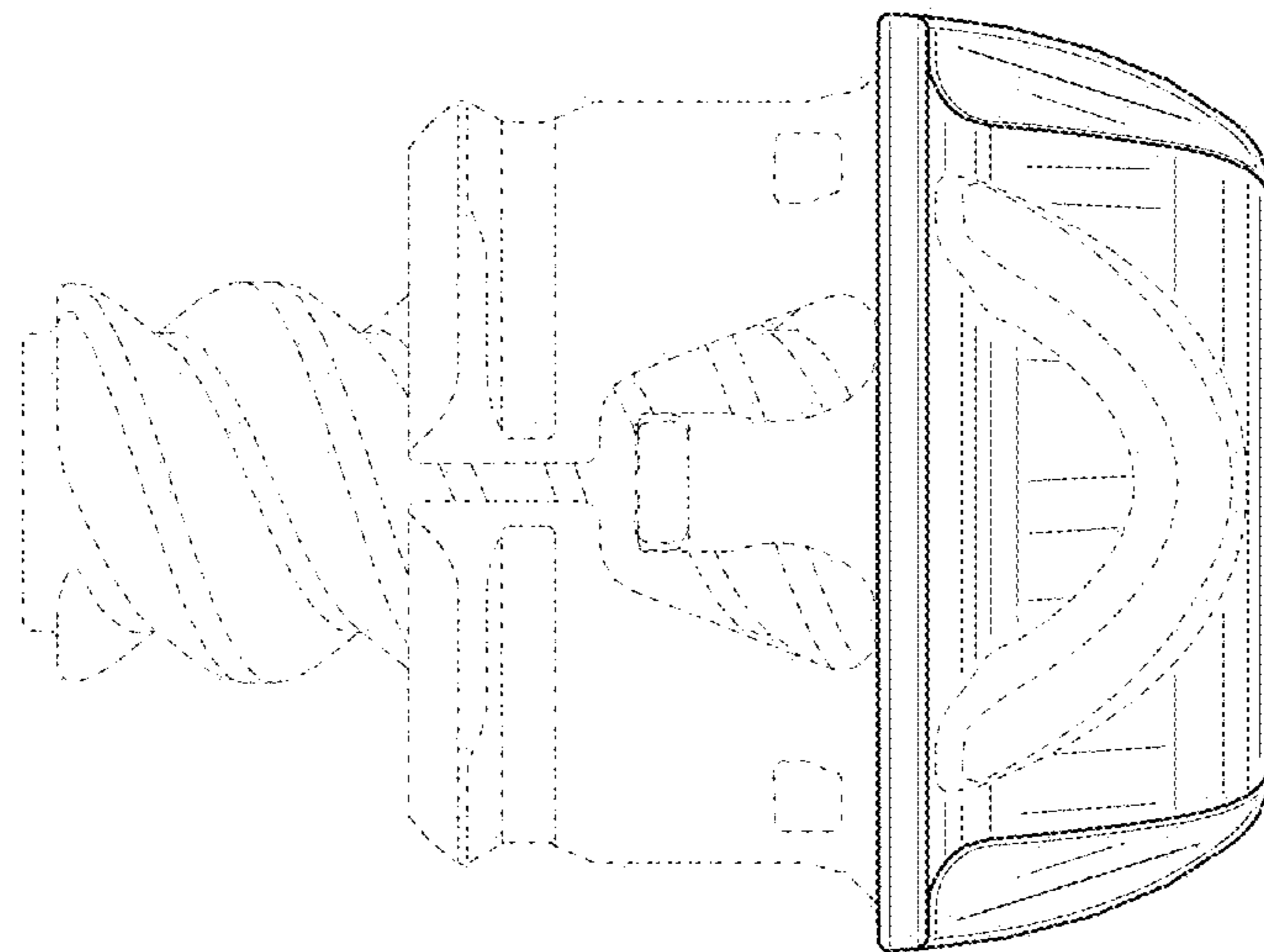


FIG. 6