



US00D703310S

(12) **United States Design Patent**
Masciarella et al.

(10) **Patent No.:** **US D703,310 S**
(45) **Date of Patent:** **** *Apr. 22, 2014**

(54) **FAN GUIDE**

(71) Applicant: **Precision Small Engine Company, Inc.**,
Pompano Beach, FL (US)

(72) Inventors: **Andrew M. Masciarella**, Pompano
Beach, FL (US); **Thomas R. Wait**,
Boynton Beach, FL (US)

(73) Assignee: **Precision Small Engine Company, Inc.**,
Pompano Beach, FL (US)

(*) Notice: This patent is subject to a terminal dis-
claimer.

(**) Term: **14 Years**

(21) Appl. No.: **29/446,376**

(22) Filed: **Feb. 22, 2013**

(51) **LOC (10) Cl.** **23-04**

(52) **U.S. Cl.**
USPC **D23/414**

(58) **Field of Classification Search**
USPC D23/370-385, 411-414, 365, 364;
415/60, 66, 68, 208.1, 213.1, 214.1;
310/257; 361/695; 126/299 D, 299 R;
D26/51, 72, 73; D32/15, 16; 416/189;
D13/179

See application file for complete search history.

(56) **References Cited**

U.S. PATENT DOCUMENTS

1,056,226	A *	3/1913	Sparks	416/189
1,135,451	A *	4/1915	Heath	416/189
D193,245	S *	7/1962	Knox	D21/444
D275,884	S *	10/1984	Bushong	D23/414
4,548,548	A	10/1985	Gray, III		

D296,130	S *	6/1988	Riske	D23/411
D305,344	S *	1/1990	Stanzel	D21/444
5,131,810	A *	7/1992	Wang	415/208.1
D422,528	S *	4/2000	Charlebois	D11/117
6,398,492	B1	6/2002	Cho et al.		
D506,820	S *	6/2005	Meng-Suen	D23/377
D539,358	S *	3/2007	Shi	D21/441
D683,497	S *	5/2013	Ghiotti et al.	D27/186
D687,533	S *	8/2013	Tang et al.	D23/370
2004/0245376	A1 *	12/2004	Muren	244/17.11
2013/0022456	A1 *	1/2013	Lehoczky	415/208.2

* cited by examiner

Primary Examiner — Susan Bennett Hattan

Assistant Examiner — Janice Hallmark

(74) *Attorney, Agent, or Firm* — Dority & Manning, P.A.

(57) **CLAIM**

The ornamental design for a fan guide, as shown and described.

DESCRIPTION

FIG. 1 is a front top perspective view of the fan guide according to the present invention;

FIG. 2 is a top plan view of the fan guide illustrated in FIG. 1; FIG. 3 is a bottom plan view of the fan guide illustrated in FIG. 1;

FIG. 4 is a side plan view of the fan guide illustrated in FIG. 1;

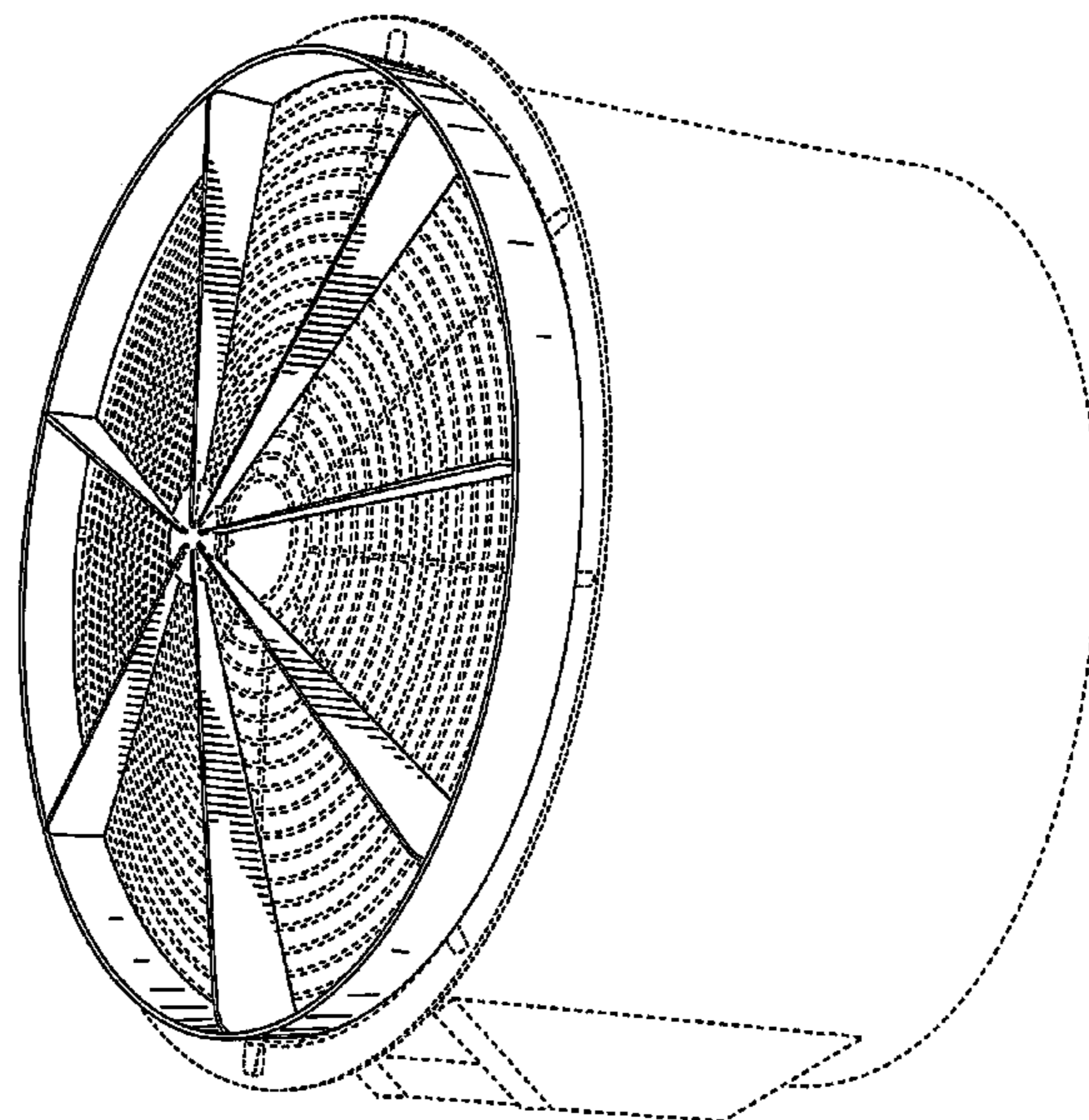
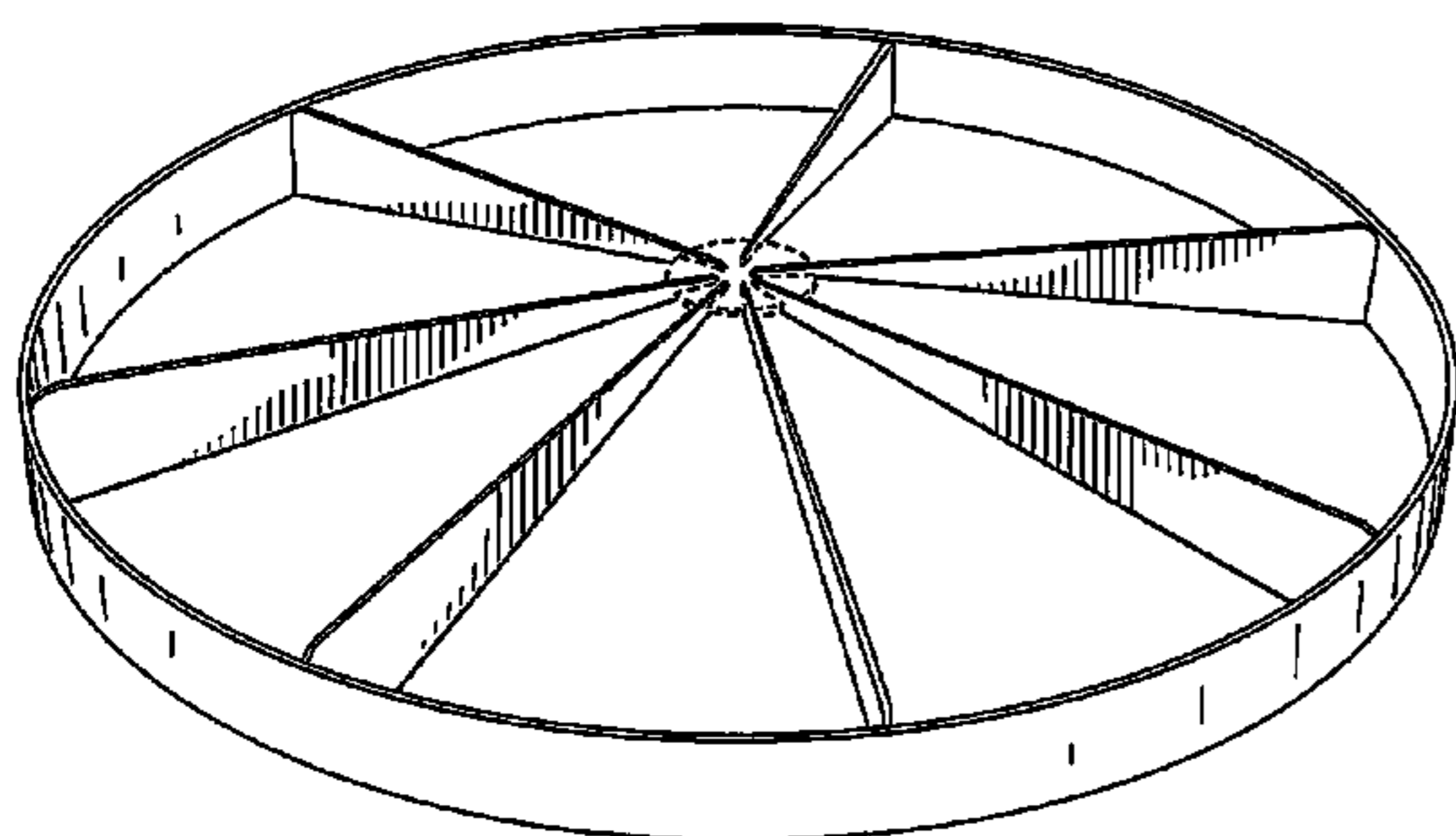
FIG. 5 is a side cross-section view of the fan guide illustrated in FIG. 1 taken along line 5-5;

FIG. 6 is a perspective view of the fan guide illustrated in FIG. 1 installed inside a fan guard; and,

FIG. 7 is a perspective view of the fan guide illustrated in FIG. 1 installed outside a fan guard.

The dotted lines shown in FIGS. 1-7 are environmental only and form no part of the claimed design.

1 Claim, 6 Drawing Sheets



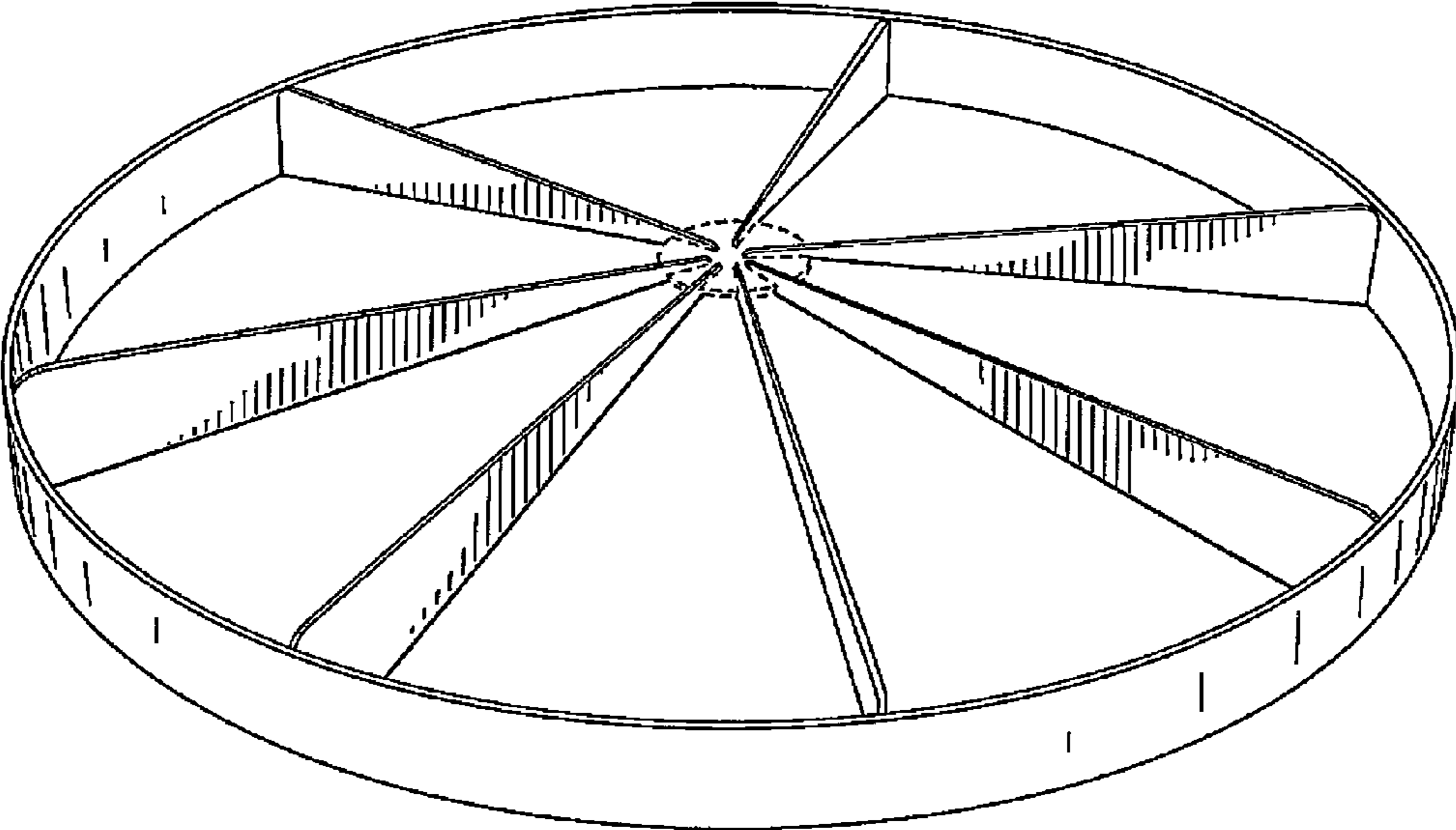


FIG. 1

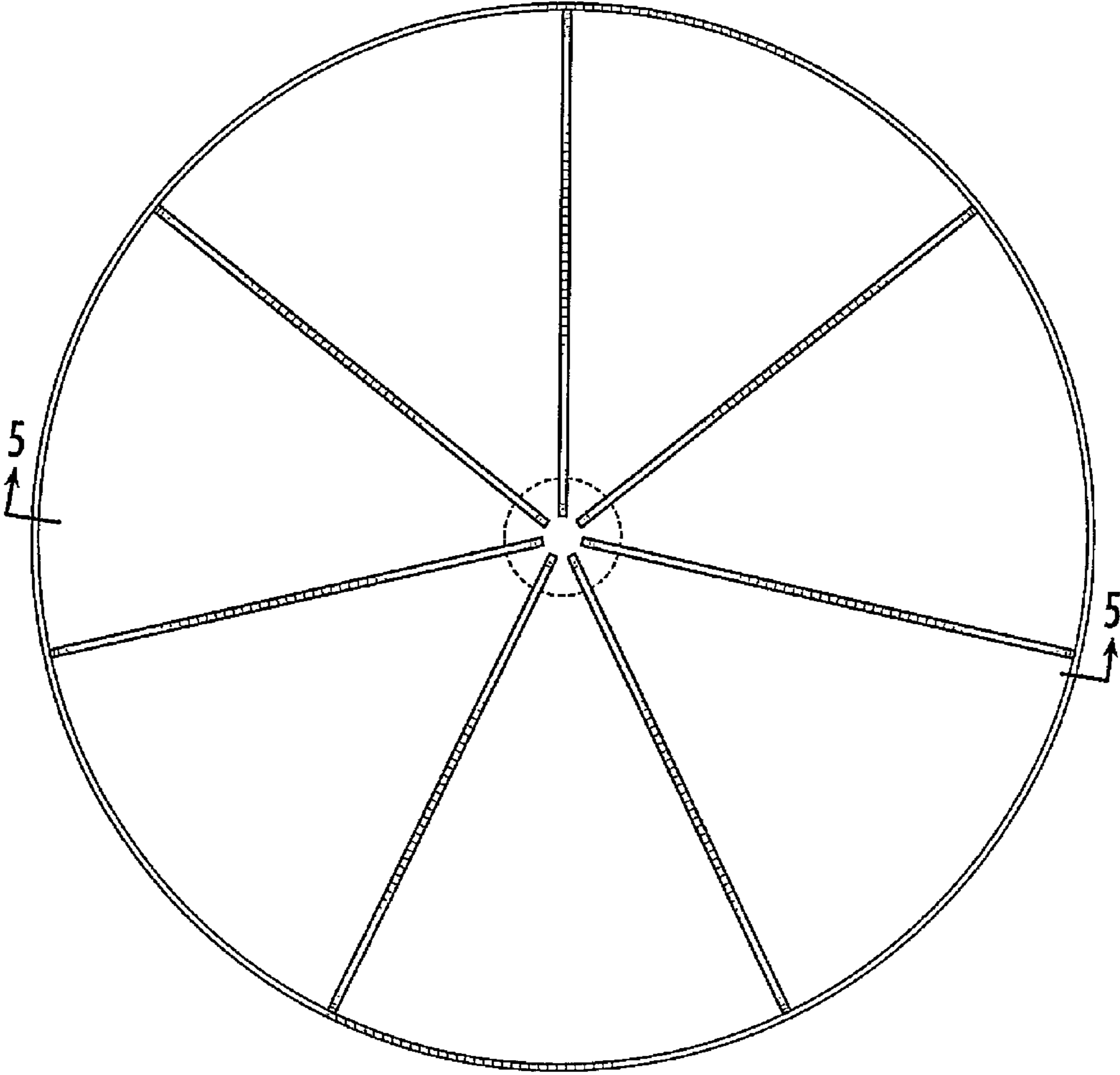


FIG. 2

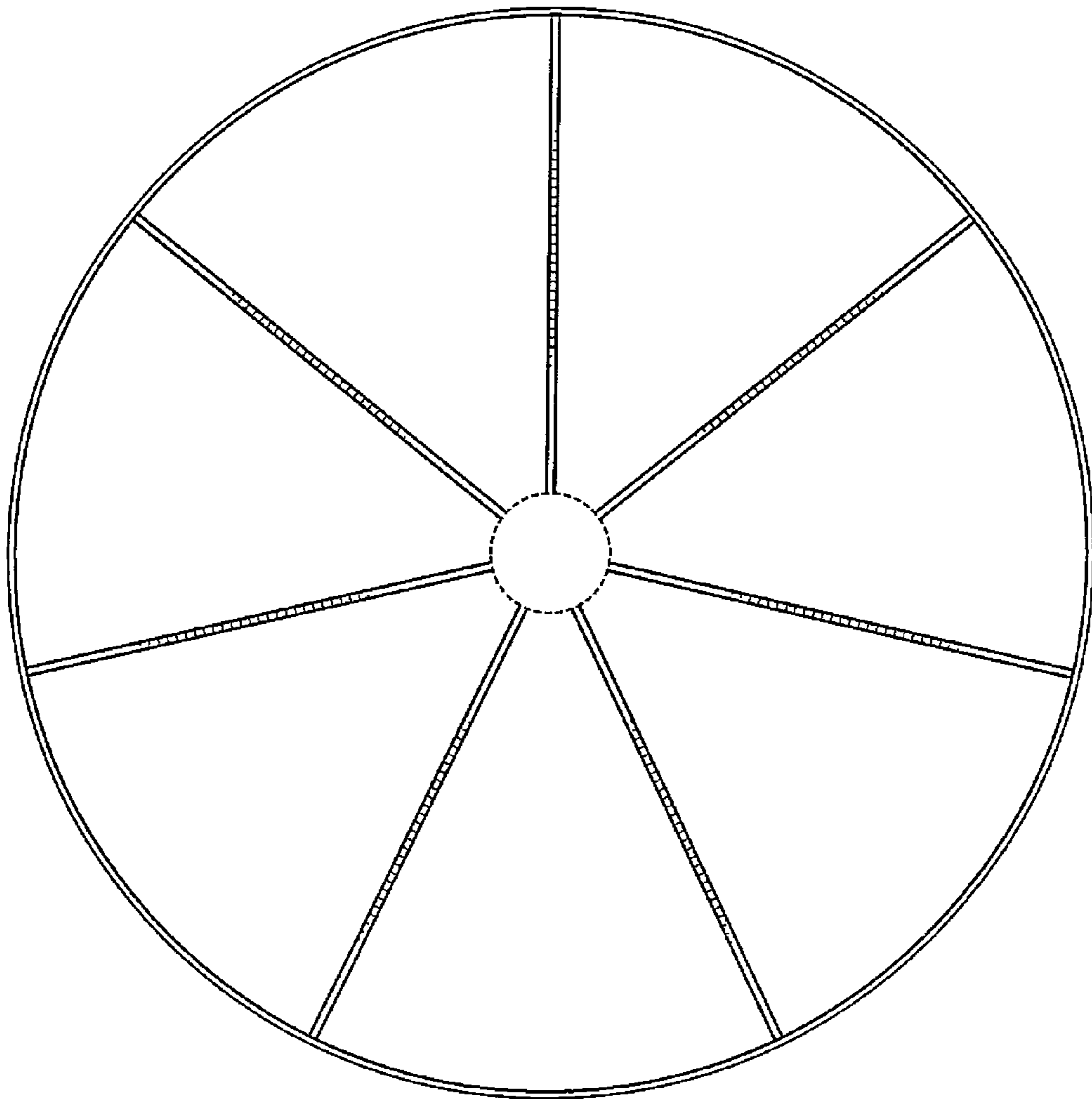


FIG. 3



FIG. 4

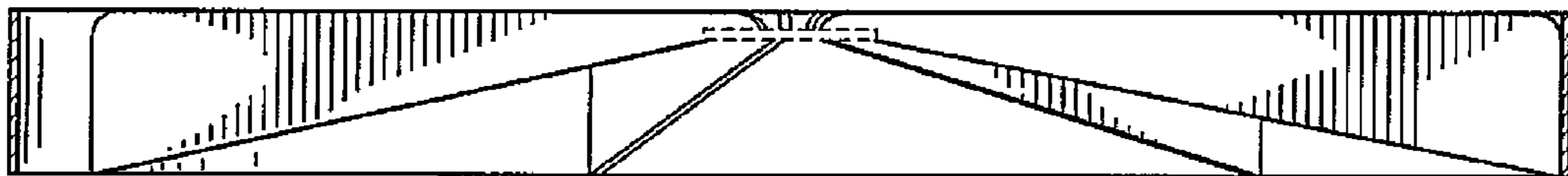


FIG. 5

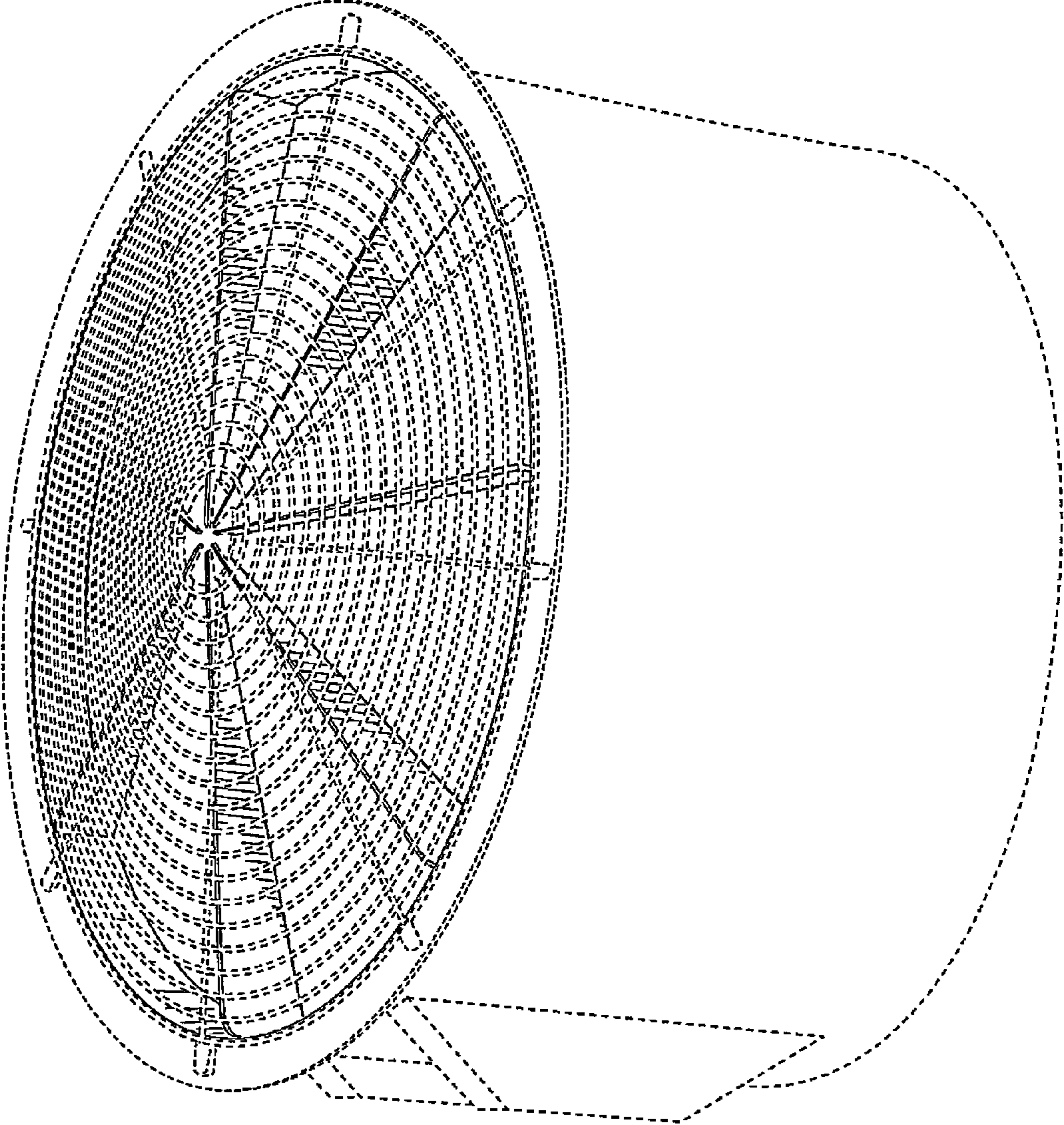


FIG. 6

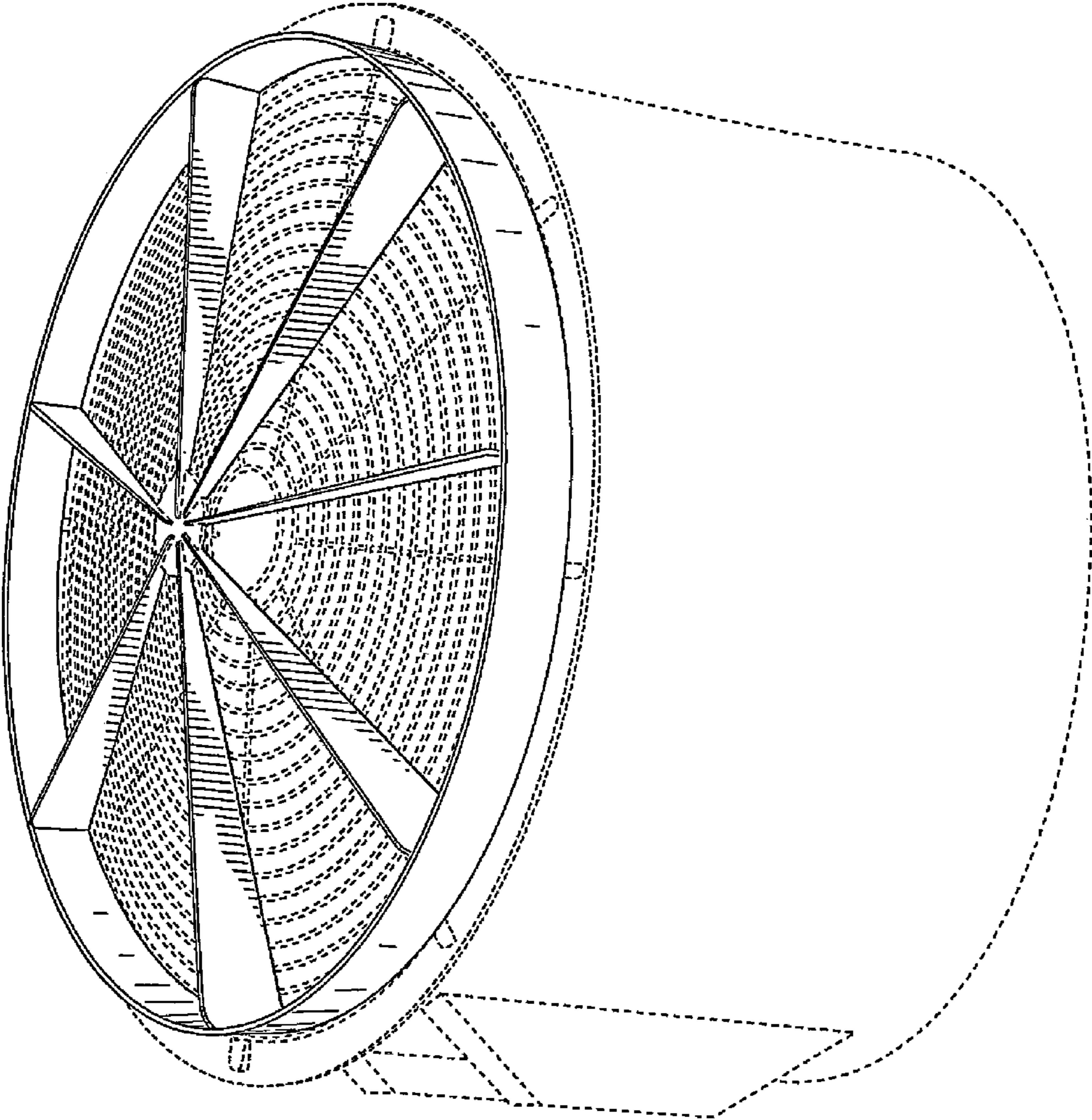


FIG. 7