



US00D703307S

(12) **United States Design Patent**
Little et al.

(10) **Patent No.:** **US D703,307 S**
(45) **Date of Patent:** **** Apr. 22, 2014**

(54) **TRIM BEAD FOR A BUILDING WALL**
(75) Inventors: **Christopher K. Little**, Suwanee, GA (US); **Chris McElroy**, Pinson, AL (US); **William F. Egan**, Ponte Vedra Beach, FL (US); **David A. Smith**, Middleburg, FL (US); **Lei Zhao**, Birmingham, AL (US)

(73) Assignee: **BASF Corporation**, Florham Park, NJ (US)

(**) Term: **14 Years**

(21) Appl. No.: **29/429,389**

(22) Filed: **Aug. 10, 2012**

(51) **LOC (10) Cl.** **23-04**

(52) **U.S. Cl.**
USPC **D23/393**; D25/136

(58) **Field of Classification Search**
USPC D25/55, 61, 199, 164, 119, 136, 58;
52/716.1, 716.2, 588.1, 302.3, 255,
52/718.01, 716.8; D23/393

See application file for complete search history.

(56) **References Cited**

U.S. PATENT DOCUMENTS

1,419,232 A	6/1922	Curtis	
3,295,268 A *	1/1967	Gaither	52/97
3,494,085 A	2/1970	Bael	
3,672,108 A	6/1972	Conway	
4,000,597 A *	1/1977	Burton	52/716.1
4,912,899 A	4/1990	Plasker et al.	
5,003,743 A	4/1991	Bifano et al.	
5,243,797 A	9/1993	Koenig, Jr.	
5,699,638 A	12/1997	Maylon	
5,836,135 A	11/1998	Hagan et al.	
5,937,600 A	8/1999	Larson	
5,946,870 A	9/1999	Bifano et al.	

5,966,891 A	10/1999	Fagan et al.
5,970,671 A	10/1999	Bifano et al.
D425,999 S	5/2000	Belk
6,108,991 A	8/2000	Hagan et al.
6,119,429 A	9/2000	Bifano et al.
6,134,847 A	10/2000	Bifano et al.

(Continued)

OTHER PUBLICATIONS

Windlock "Universal Starter Track—Jobsite Inventory Control"; 4 pages; downloaded Sep. 28, 2010.

(Continued)

Primary Examiner — Doris Clark

(74) *Attorney, Agent, or Firm* — Curatolo Sidoti Co., LPA; Salvatore A. Sidoti; Joseph G. Curatolo

(57) **CLAIM**

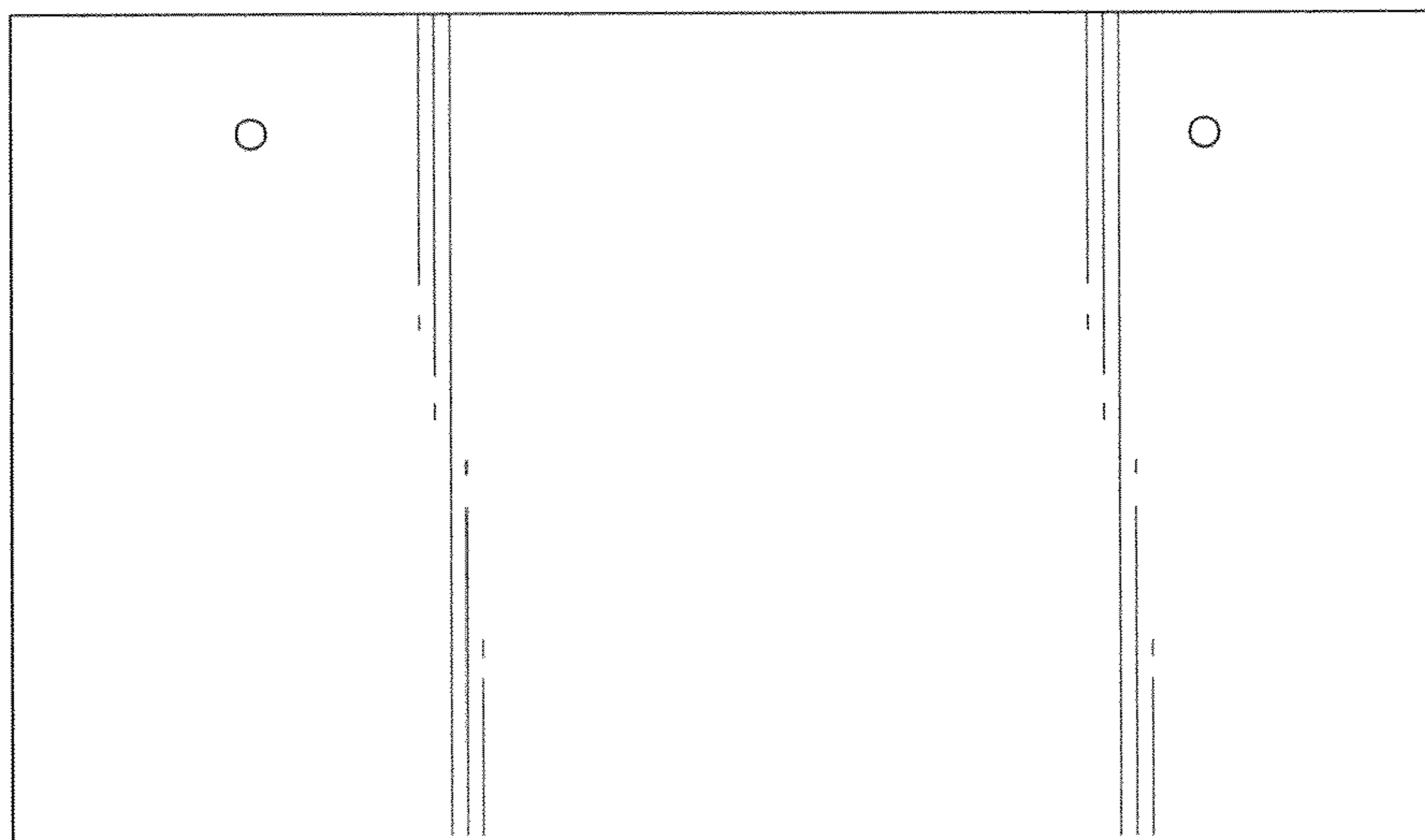
The ornamental design for a trim bead for a building wall, as shown and described.

DESCRIPTION

FIG. 1 is a rear view of the trim bead for a building wall. FIG. 2 is a right side view of the trim bead for a building wall. FIG. 3 is a left side view of the trim bead for a building wall. FIG. 4 is a front view of the trim bead for a building wall. FIG. 5 is a top plan view of the trim bead for a building wall. FIG. 6 is a bottom plan view of the trim bead for a building wall. FIG. 7 is a top perspective view of the trim bead for a building wall; and, FIG. 8 is a bottom perspective view of the trim bead for a building wall.

The broken lines are for illustrative purposes only and form no part of the claimed design.

1 Claim, 3 Drawing Sheets



(56)

References Cited

U.S. PATENT DOCUMENTS

6,145,255	A	11/2000	Allaster	
6,189,273	B1	2/2001	Larson	
6,282,851	B1	9/2001	Beaton	
6,293,064	B1	9/2001	Larson	
6,298,609	B1	10/2001	Bifano et al.	
D459,007	S	6/2002	Campacci	
6,410,118	B1	6/2002	Reichert et al.	
6,421,971	B1	7/2002	Gembala	
6,526,707	B2	3/2003	Tucker	
6,591,566	B1	7/2003	Rodlin	
6,698,144	B1	3/2004	Larson	
D502,991	S *	3/2005	Rodolfo et al.	D23/393
D503,227	S	3/2005	Rodolfo et al.	
D503,469	S	3/2005	Rodolfo et al.	
D518,901	S *	4/2006	Stackenwalt et al.	D25/136
7,036,284	B1	5/2006	Larson	
7,921,537	B2	4/2011	Rodlin	
D656,603	S *	3/2012	Egan et al.	D23/393
2002/0005023	A1	1/2002	Ford	

2003/0126826	A1	7/2003	Marshall et al.	
2005/0166529	A1 *	8/2005	Rodolfo et al.	52/716.1
2006/0277854	A1	12/2006	Egan	
2010/0132288	A1	6/2010	Hines	

OTHER PUBLICATIONS

DurRock—Track product description published 2006; 1 page.
 Amico Product Sheet; “Vinyl>Drywall>“J” Bead”; 2 pages; http://www.amico-lath.com/drwall/j_bead.htm; published 2005.
 Amico Product Sheet; “Vinyl>Stucco>Casing Bead (Regular Ground)”; 1 page; http://www.amico-lath.com/stucco/casing_bead_regular.htm; published 2005.
 Amico Product Sheet; “Vinyl>Stucco>“J” Metal Bead”; 1 page; <http://www.amico-lath.com/lath/j-metal-bead.htm>; published 2005.
 Amico Product Sheet; “Stucco Corner Beads”; 20 pages; www.amico-vinyl.com; downloaded Sep. 28, 2010.
 Amico Product Sheet; “Vinyl>Stucco>One-Coat Casing Bead”; 1 page; http://www.amico-lath.com/stucco/one_coat_casing_bead.htm; published 2005.

* cited by examiner

FIG. 1

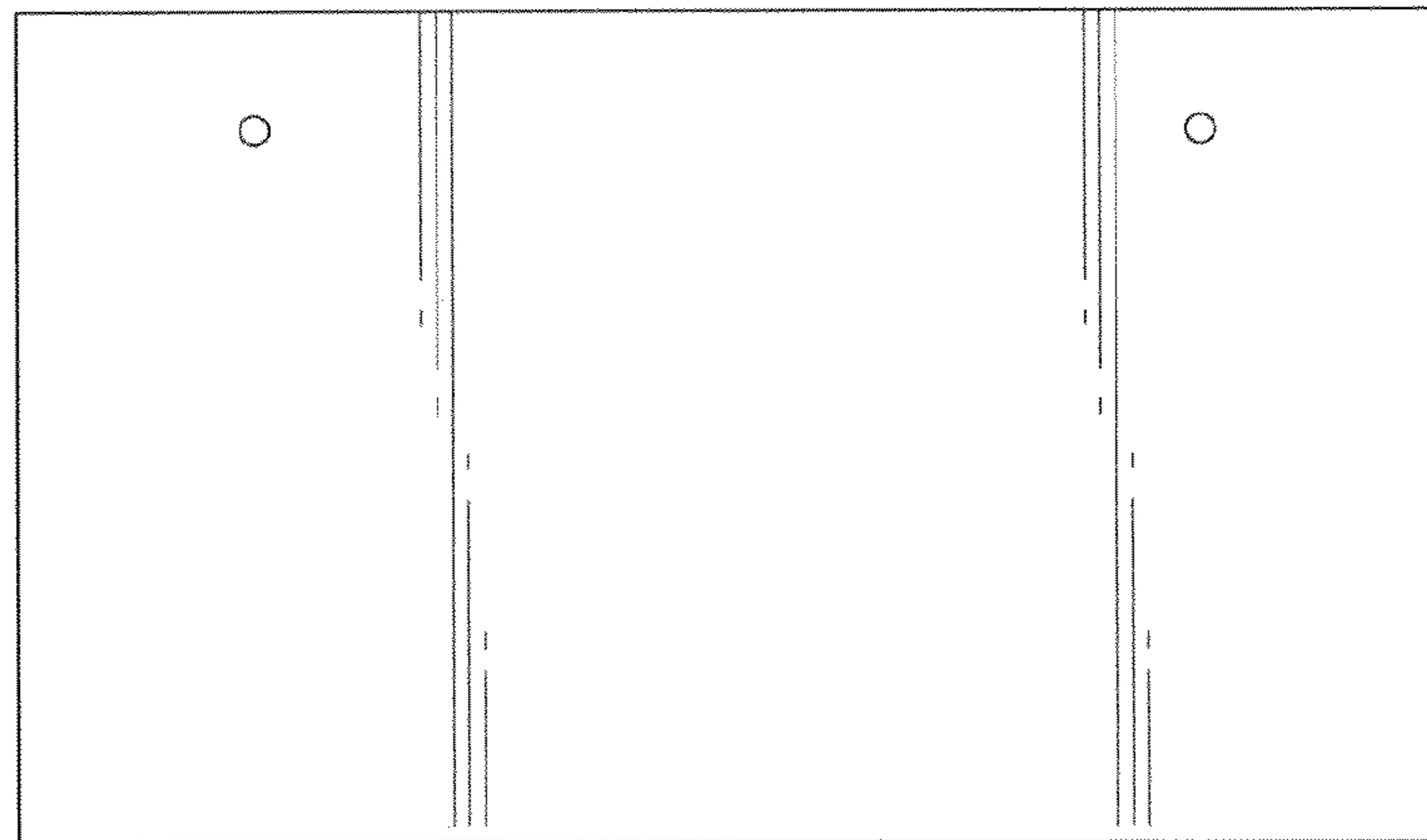


FIG. 2

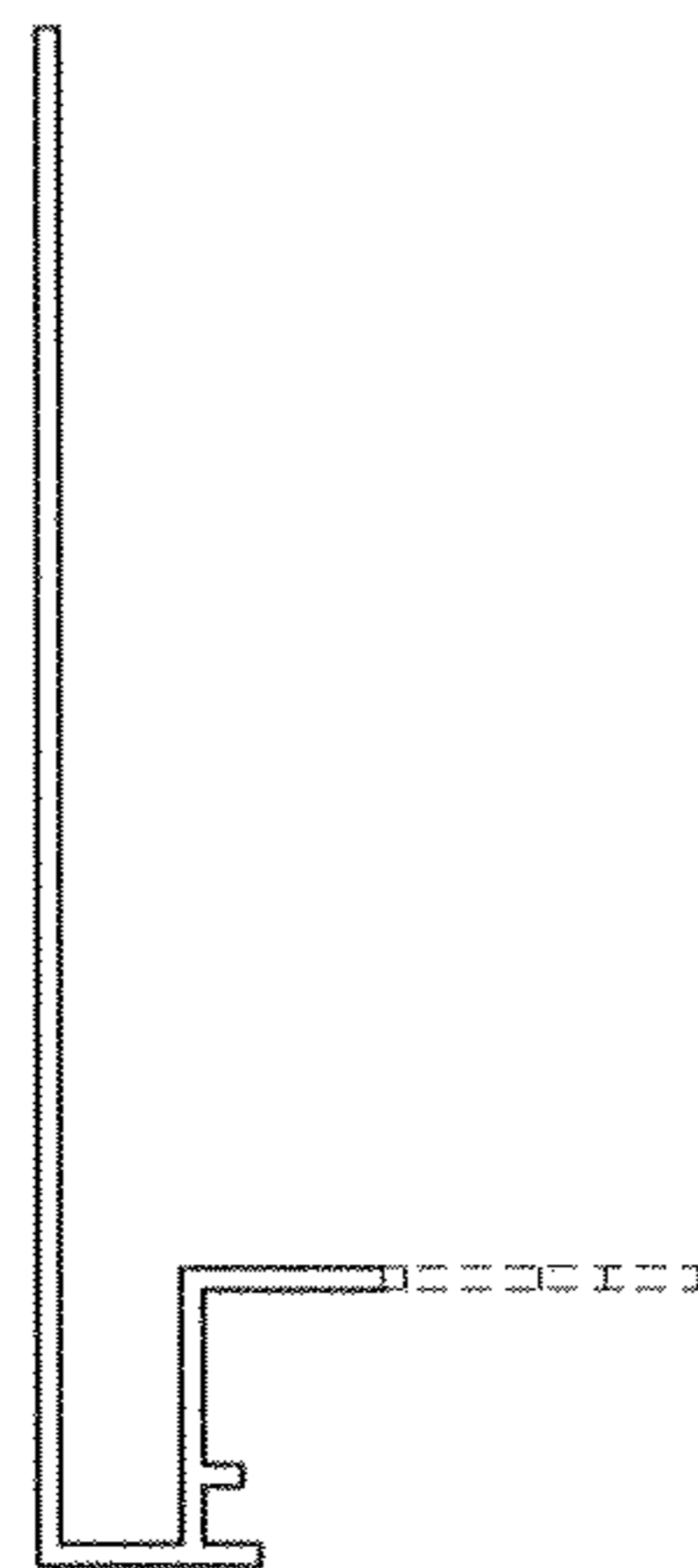


FIG. 3

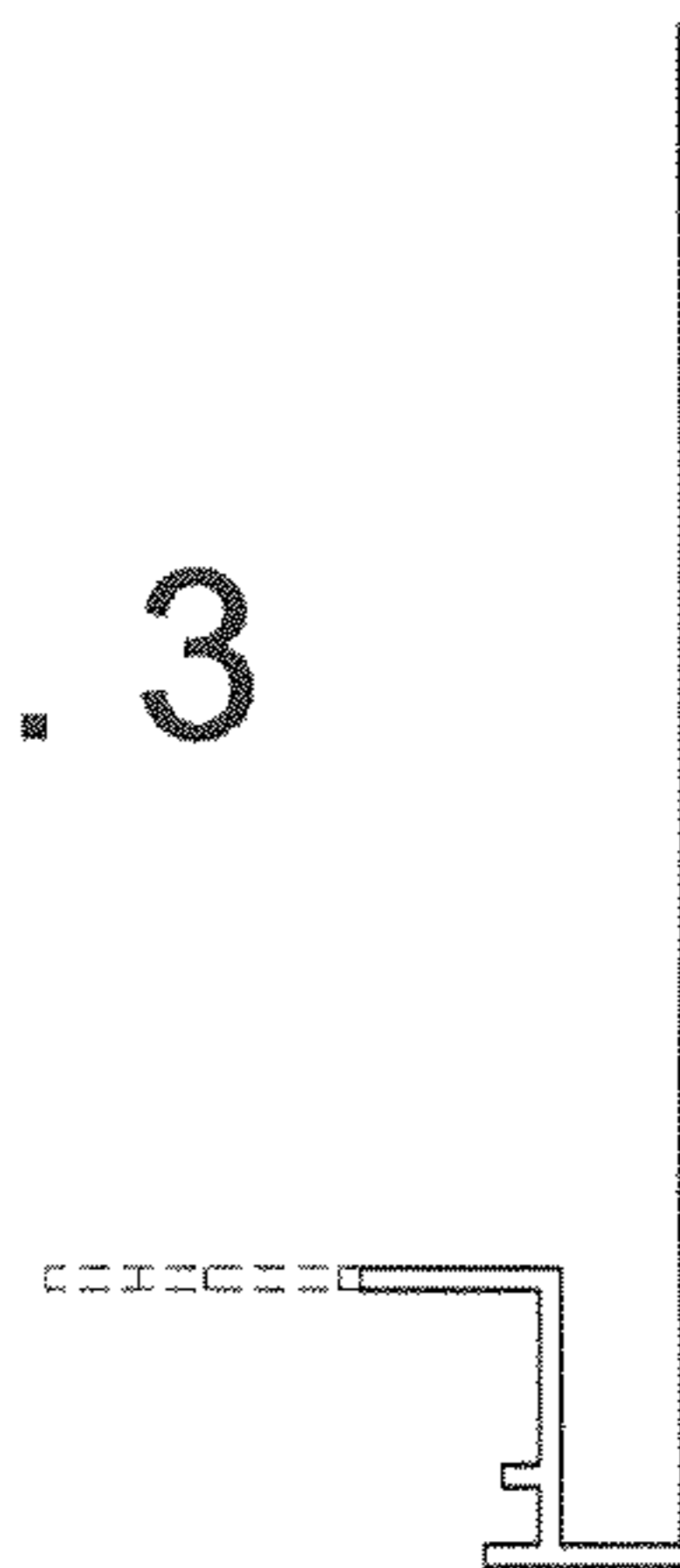
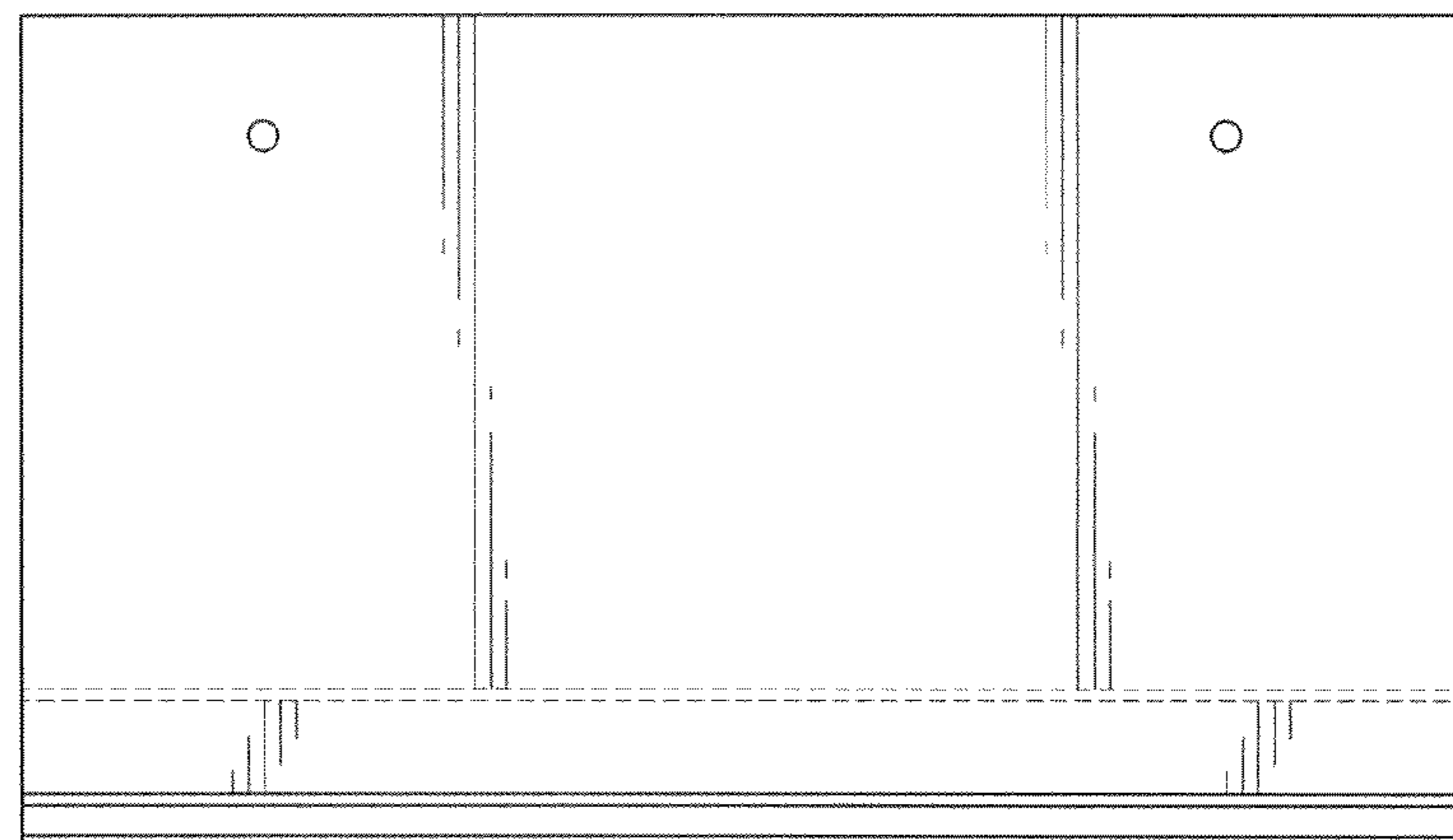


FIG. 4



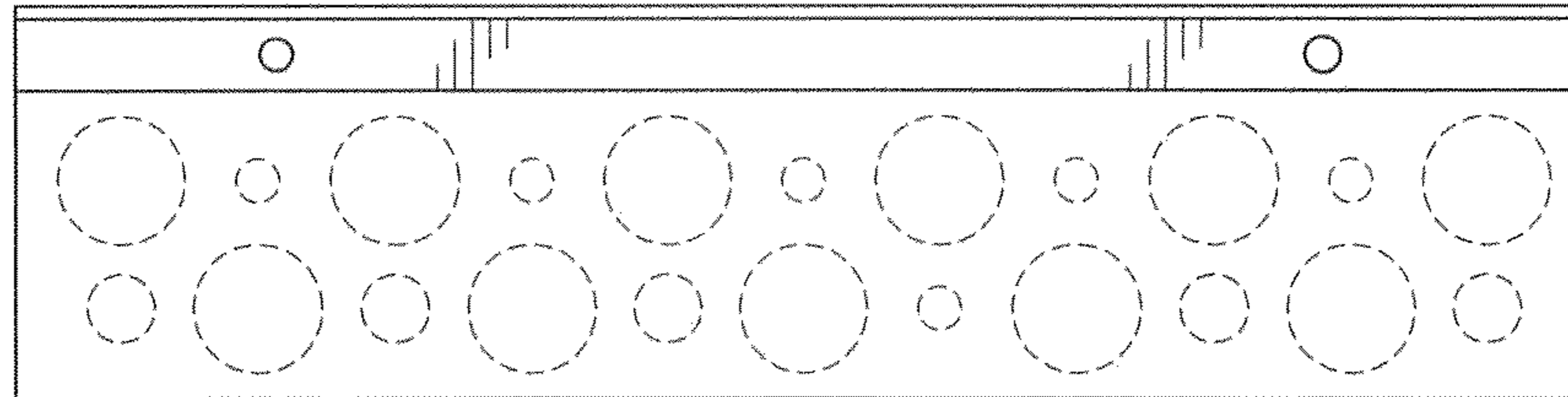


FIG. 5

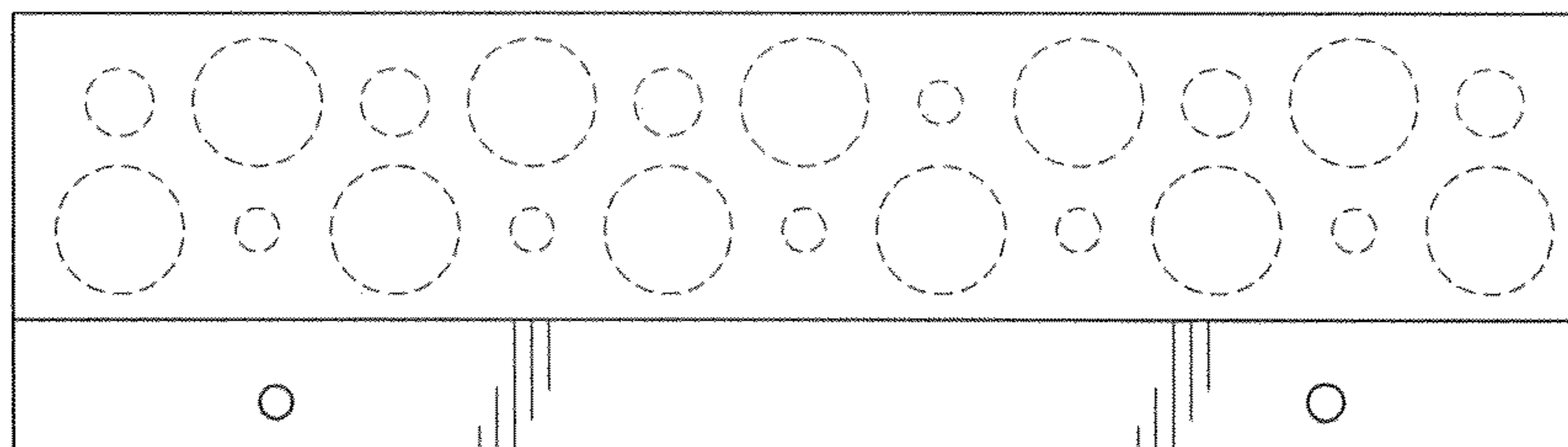


FIG. 6

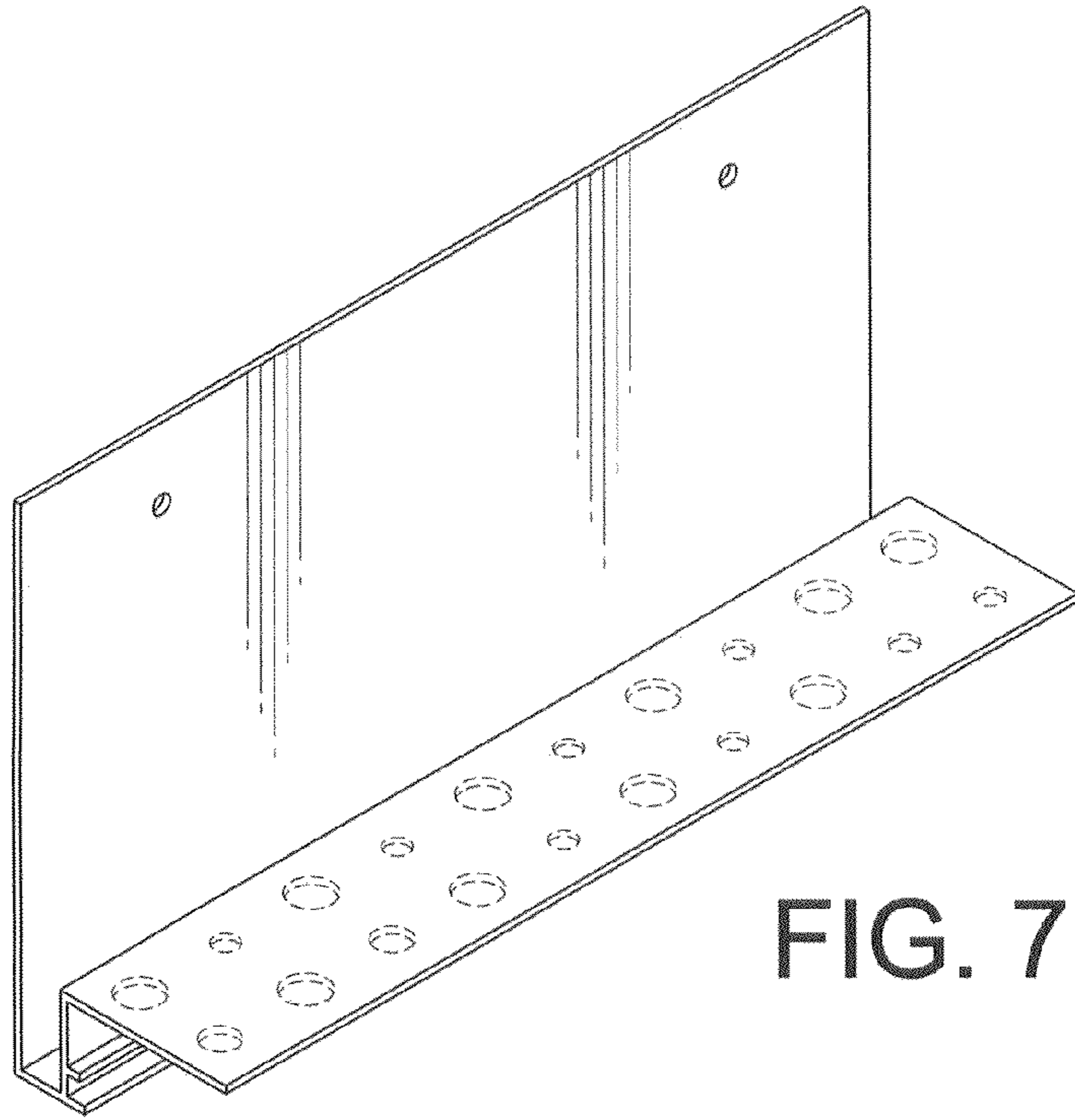


FIG. 7

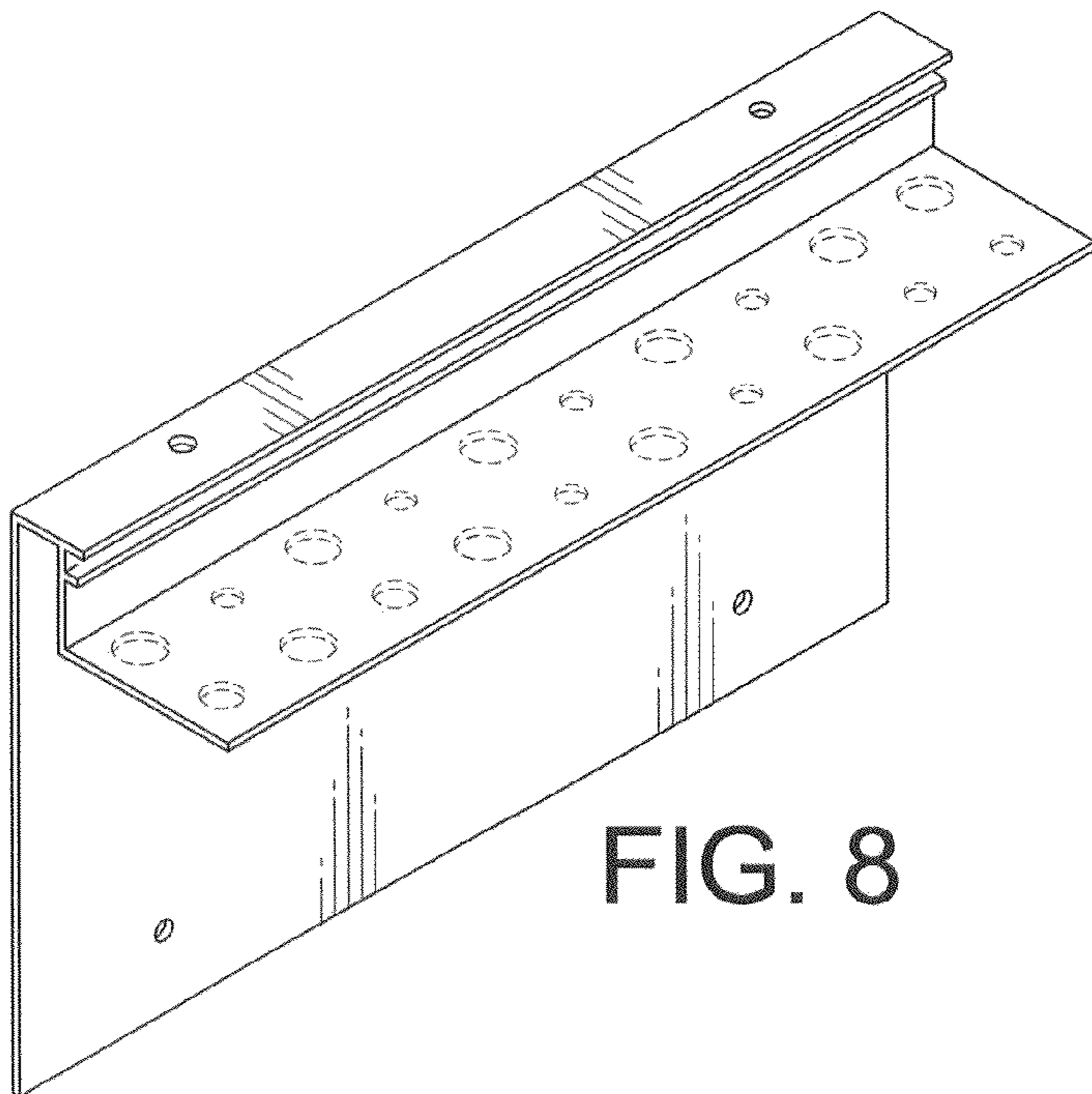


FIG. 8