



US00D703305S

(12) **United States Design Patent**
Stollenwerk O'Hagin

(10) **Patent No.:** **US D703,305 S**
(45) **Date of Patent:** **** Apr. 22, 2014**

(54) **TILE-SHAPED ROOF VENT COVER FOR ROOF HAVING DIAMOND-SHAPED TILES**

(76) Inventor: **Carolina Stollenwerk O'Hagin,**
Languenan (FR)

(**) Term: **14 Years**

(21) Appl. No.: **29/415,405**

(22) Filed: **Mar. 9, 2012**

(51) **LOC (10) Cl.** **23-04**

(52) **U.S. Cl.**
USPC **D23/393; D23/373**

(58) **Field of Classification Search**
USPC D23/370–385, 411–414, 365, 364, 328,
D23/314, 386–394; 415/60, 66, 68, 208.1,
415/213.1, 214.1; 310/257; 361/695;
126/299 D, 299 R; D26/51, 72, 73;
D32/15, 16; 416/189; D13/179;
454/358–368

See application file for complete search history.

(56) **References Cited**

U.S. PATENT DOCUMENTS

6,767,281 B2 * 7/2004 McKee 454/367
D527,813 S * 9/2006 Dodge et al. D23/393

(Continued)

OTHER PUBLICATIONS

Metal Roof Network Diamond Shingle Photo Gallery world wide web page, metalroofnet.com/gallery/diamonds/, printed Sep. 6, 2012, 1 page.

(Continued)

Primary Examiner — Susan Bennett Hattan

Assistant Examiner — Janice Hallmark

(74) *Attorney, Agent, or Firm* — Knobbe Martens Olson & Bear LLP

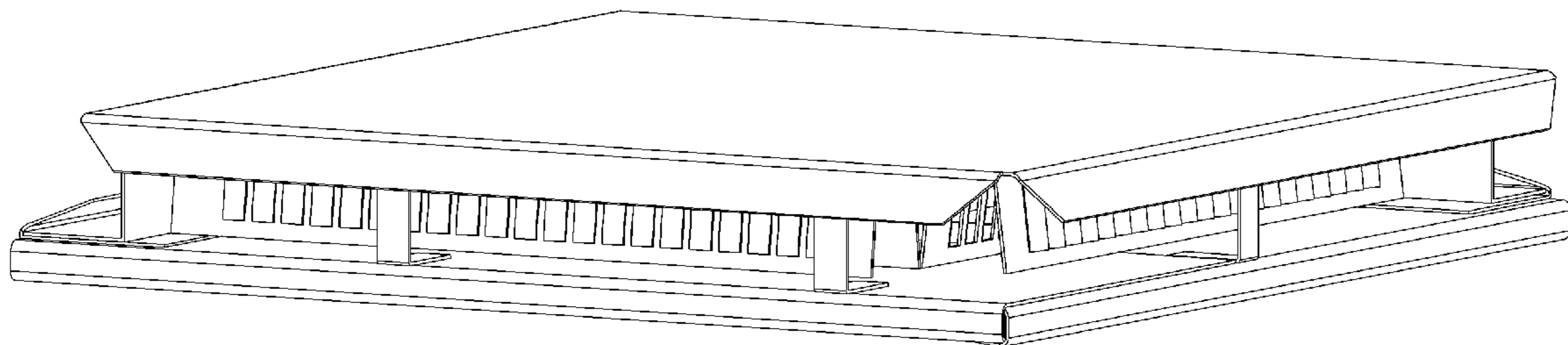
(57) **CLAIM**

The ornamental design for a tile-shaped roof vent cover for roof with diamond-shaped tiles, as shown and described.

DESCRIPTION

FIG. 1 is a top-front perspective view of a tile-shaped roof vent cover for a roof having diamond-shaped tiles.
FIG. 2 is a top-front-left perspective view of the roof vent cover of FIG. 1.
FIG. 3 is a top-front-right perspective view of the roof vent cover of FIG. 1.
FIG. 4 is a bottom-front perspective view of the roof vent cover of FIG. 1.
FIG. 5 is a front view of the roof vent cover of FIG. 1.
FIG. 6 is a rear view of the roof vent cover of FIG. 1.
FIG. 7 is a top view of the roof vent cover of FIG. 1.
FIG. 8 is a bottom view of the roof vent cover of FIG. 1.
FIG. 9 is a left-side view of the roof vent cover of FIG. 1.
FIG. 10 is a right-side view of the roof vent cover of FIG. 1.
FIG. 11 is a side view of the roof vent cover, taken from perspective 11 of FIG. 1.
FIG. 12 is a side view of the roof vent cover, taken from perspective 12 of FIG. 1.
FIG. 13 is a side view of the roof vent cover, taken from perspective 13 of FIG. 1.
FIG. 14 is a side view of the roof vent cover, taken from perspective 14 of FIG. 1.
FIG. 15 is a vertical sectional view of the roof vent cover, taken along the sectional line labeled 15 in FIG. 1, and shown substantially from the perspective of FIG. 1.
FIG. 16 is a vertical sectional view of the roof vent cover, taken along the sectional line labeled 16 of FIG. 1, and shown substantially from the perspective of FIG. 1.
FIG. 17 is a horizontal sectional view of the roof vent cover taken along the sectional line labeled 17 of FIG. 1, and shown substantially from the perspective of FIG. 7; and,
FIG. 18 is a horizontal sectional view of the roof vent cover taken along the sectional line labeled 18 of FIG. 1, and shown substantially from the perspective of FIG. 8.

1 Claim, 14 Drawing Sheets



(56)

References Cited

U.S. PATENT DOCUMENTS

D556,314 S * 11/2007 Daniels et al. D23/393
7,651,390 B1 * 1/2010 Profeta et al. 454/307
D629,093 S * 12/2010 Polston D23/373
8,205,401 B2 * 6/2012 Ward 52/198
D667,945 S * 9/2012 Irmer et al. D23/373
2011/0294412 A1 * 12/2011 Vagedes 454/242
2012/0304567 A1 * 12/2012 Baker et al. 52/302.1

2013/0078903 A1 * 3/2013 Mantyla et al. 454/367
2013/0115871 A1 * 5/2013 Bourque et al. 454/365

OTHER PUBLICATIONS

Sample images from Metal Roof Network Diamond Shingle Photo
Gallery world wide web page, metalroofnet.com/gallery/diamonds/,
printed Sep. 6, 2012, 2 pages.

* cited by examiner

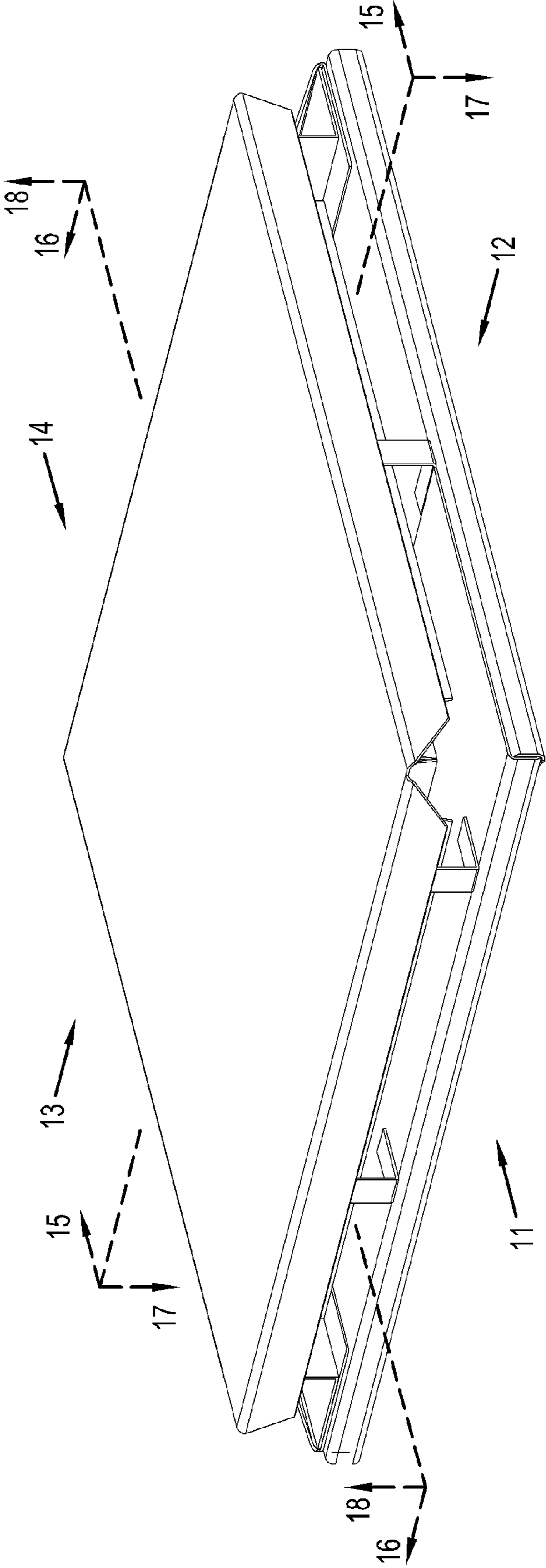


FIG. 1

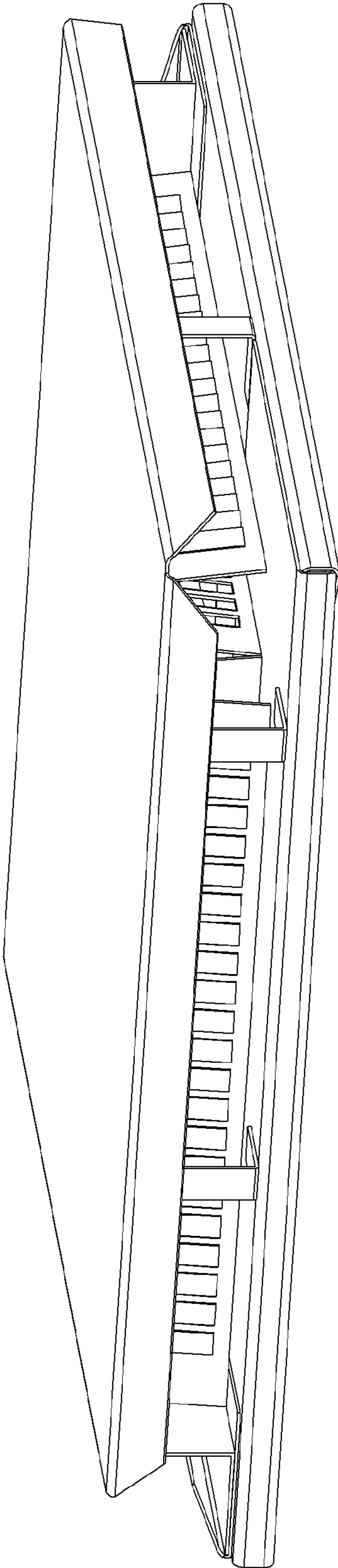


FIG. 2

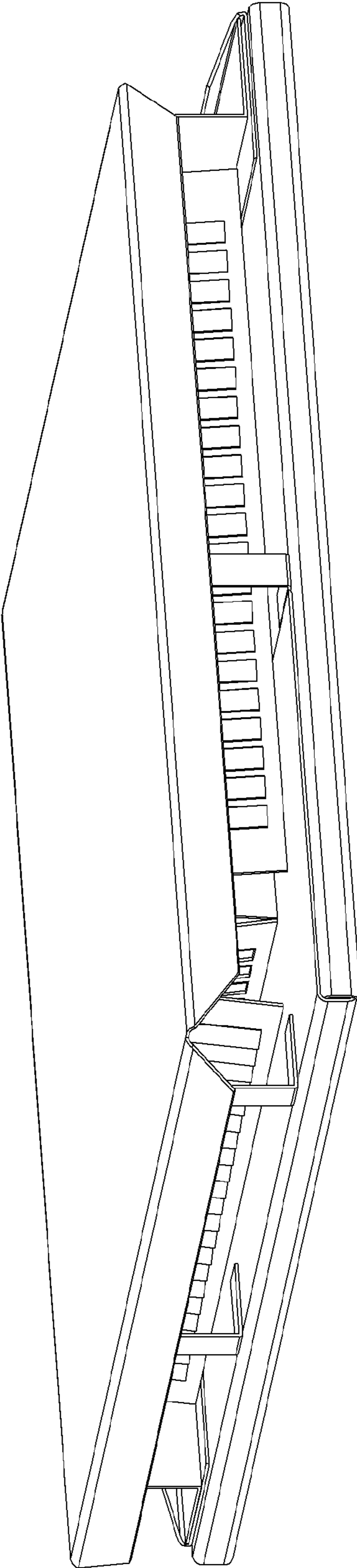


FIG. 3

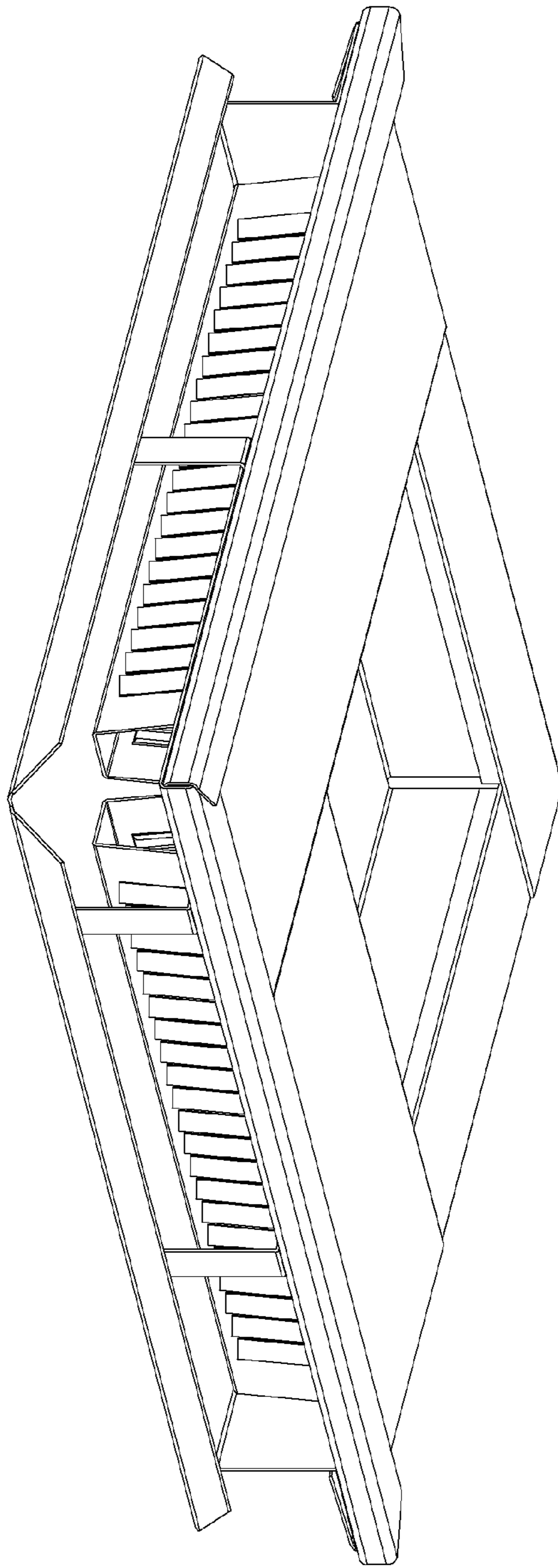


FIG. 4

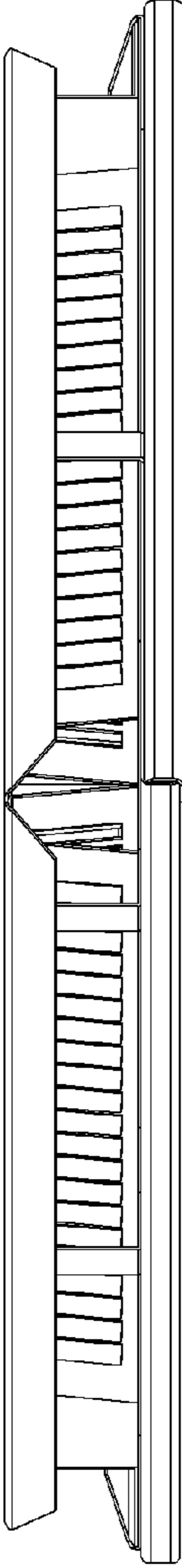


FIG. 5

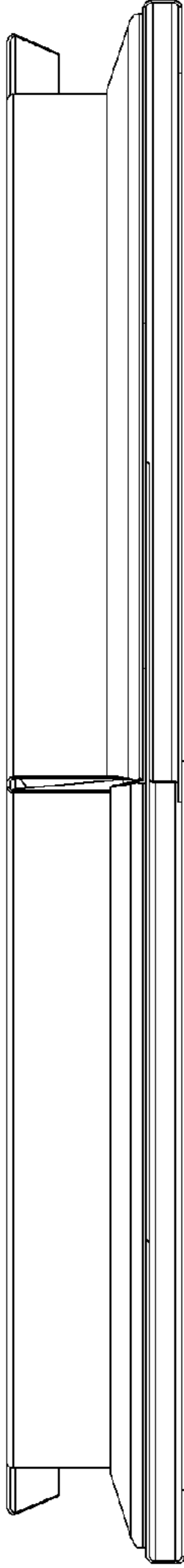


FIG. 6

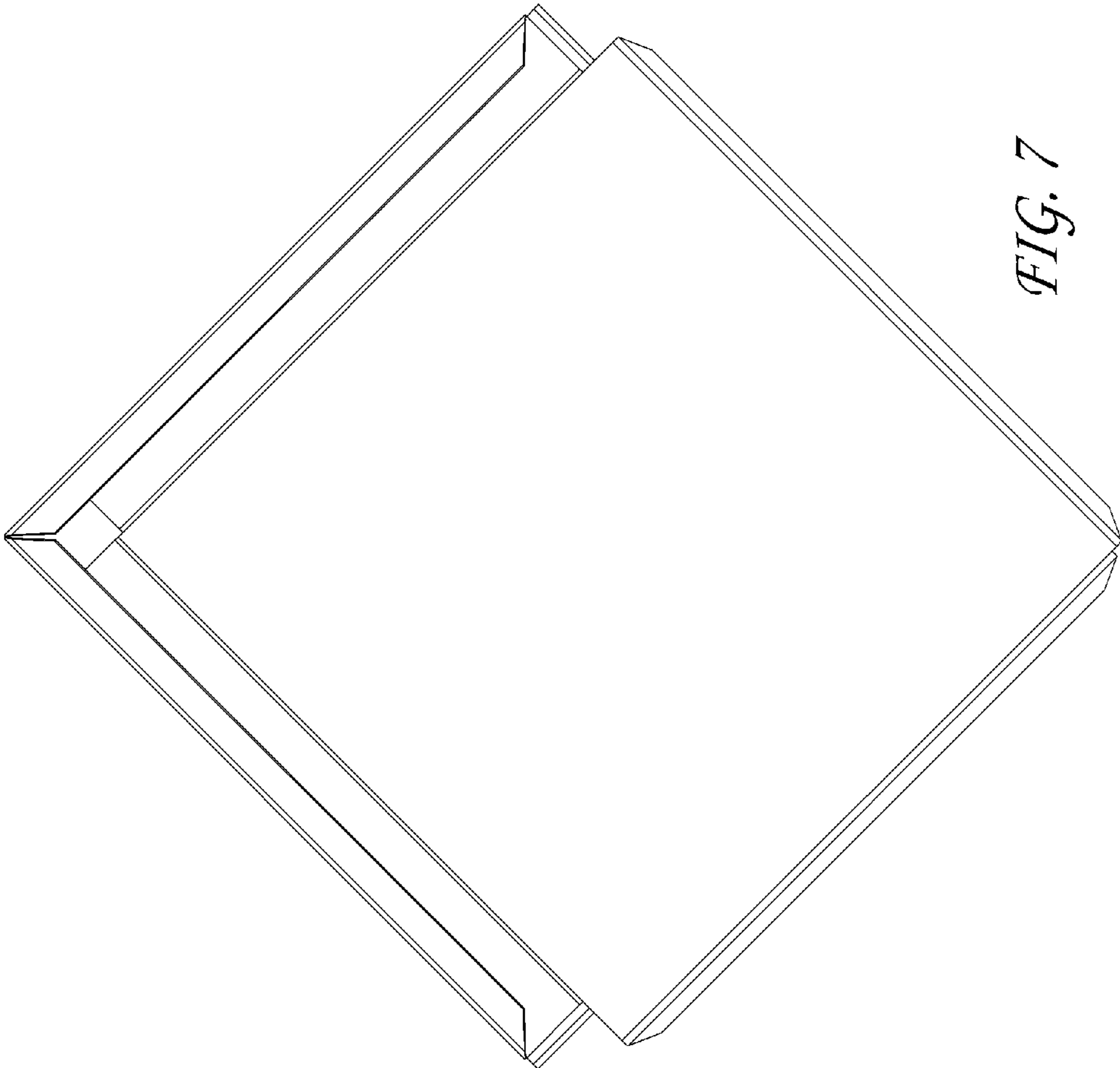


FIG. 7

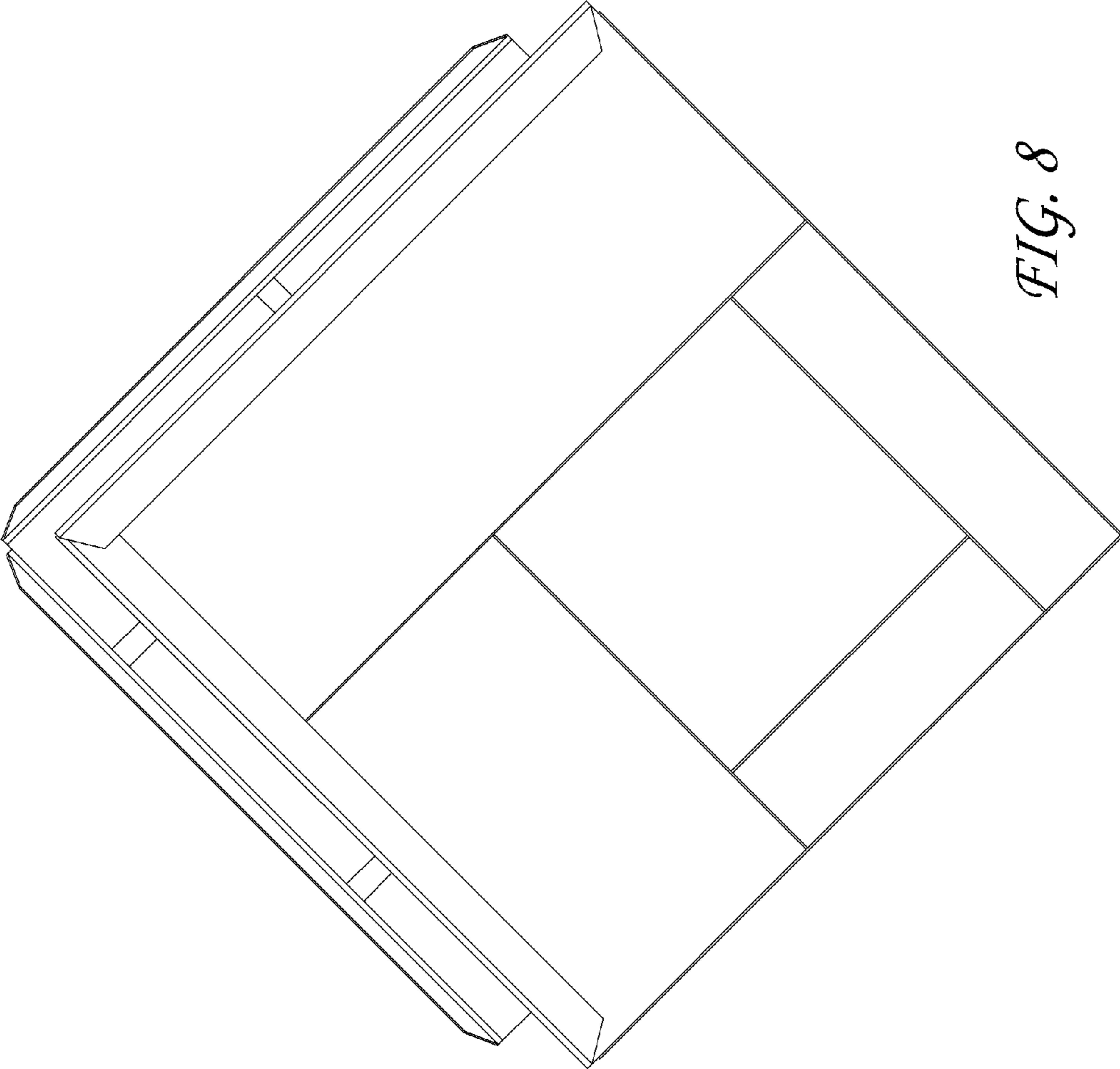


FIG. 8

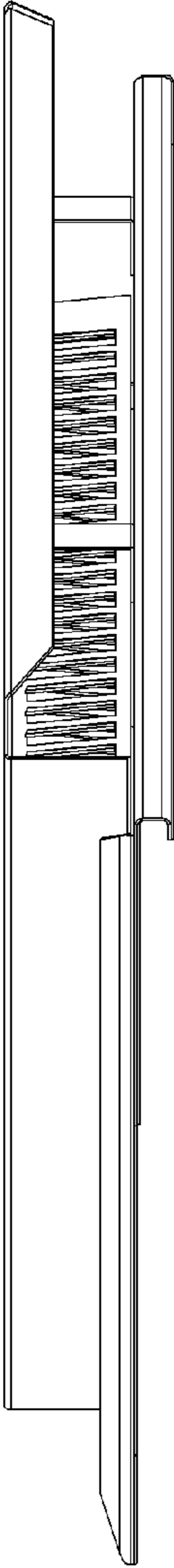


FIG. 9

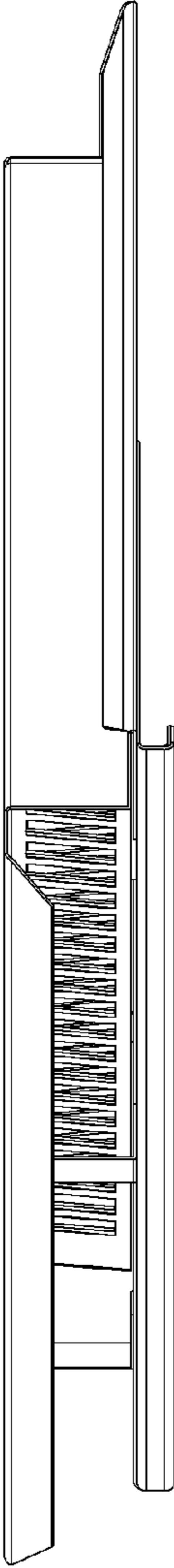


FIG. 10

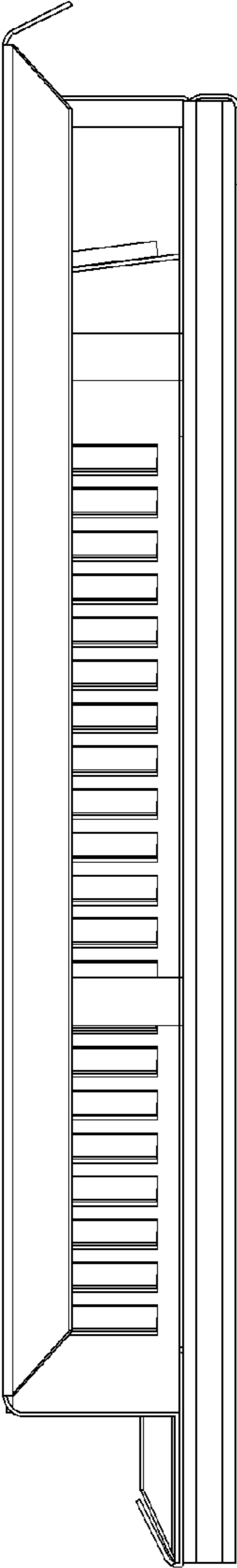


FIG. 11

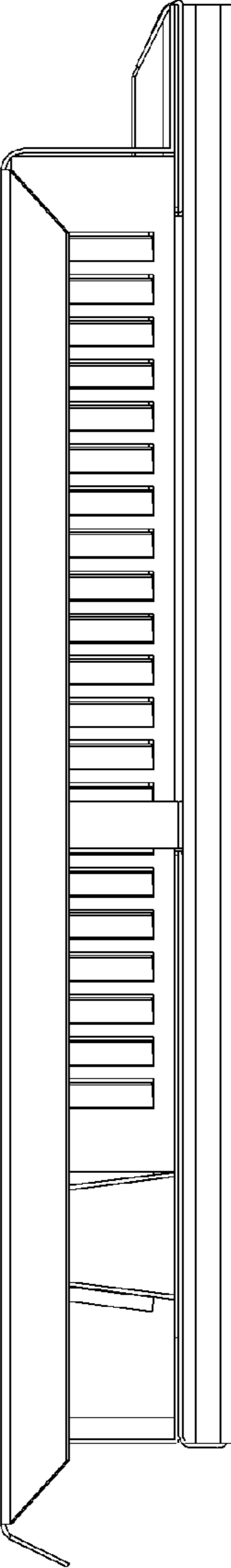


FIG. 12

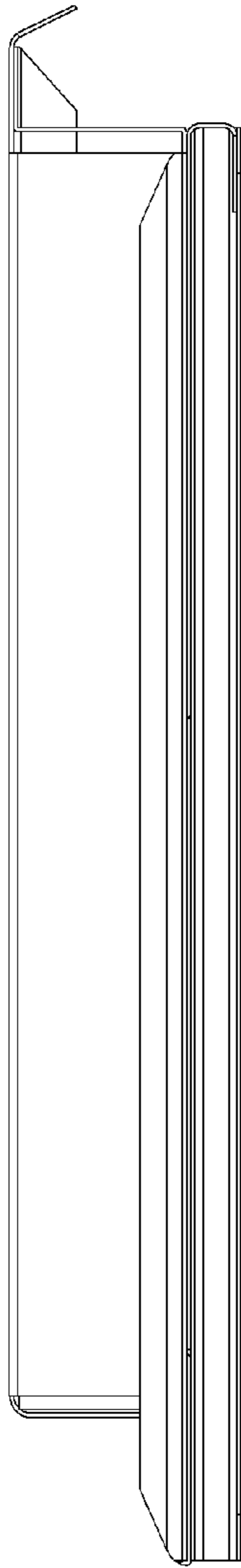


FIG. 13

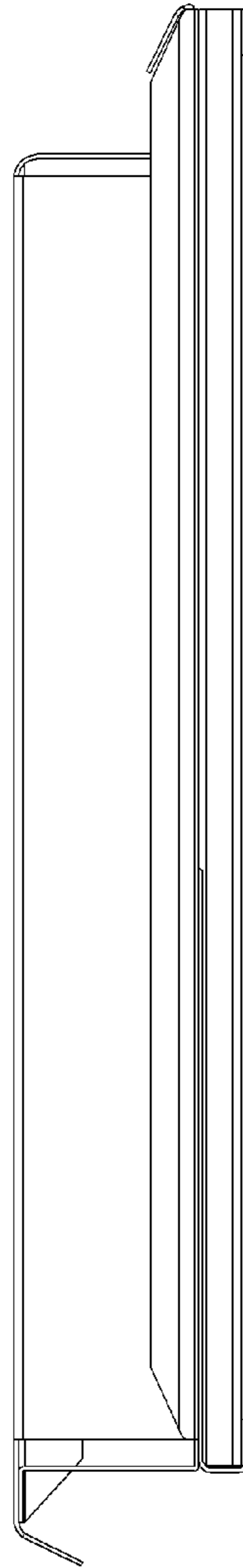


FIG. 14

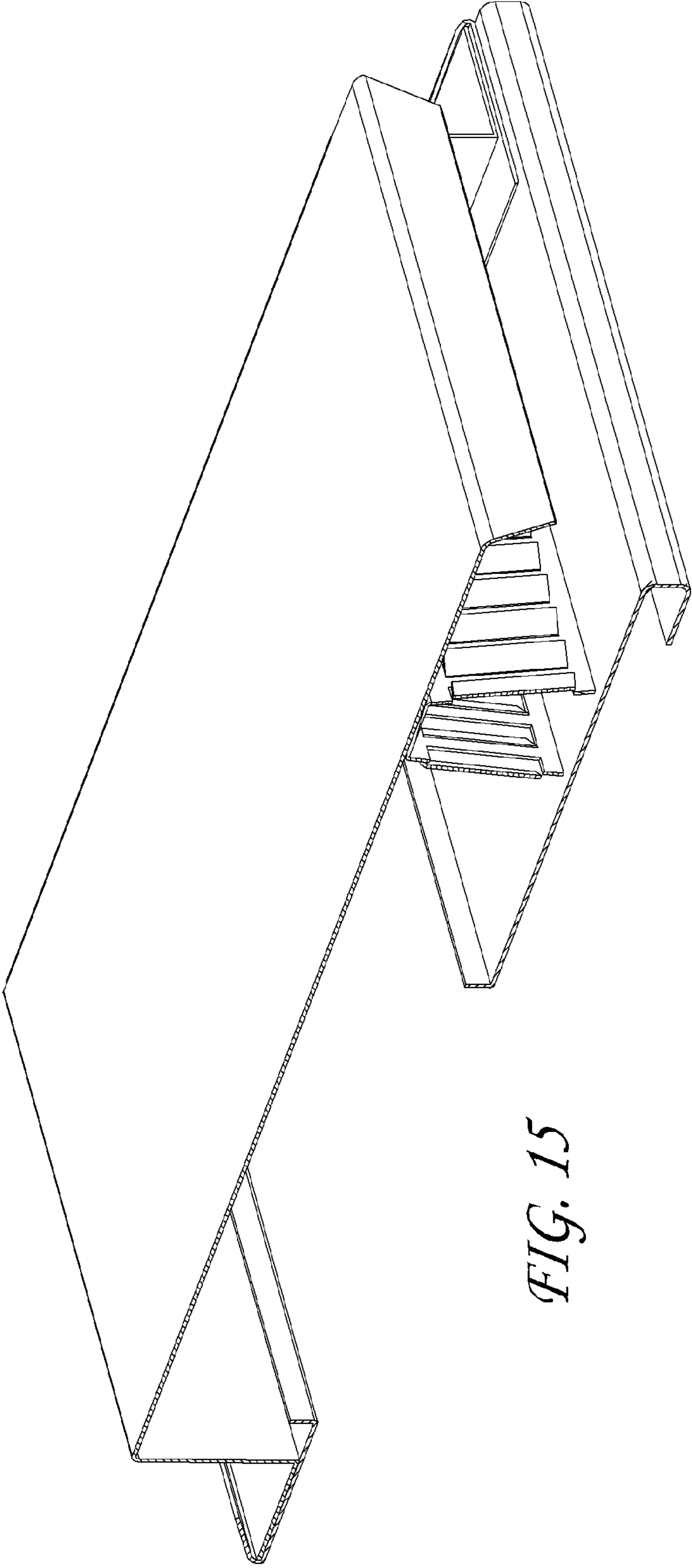


FIG. 15

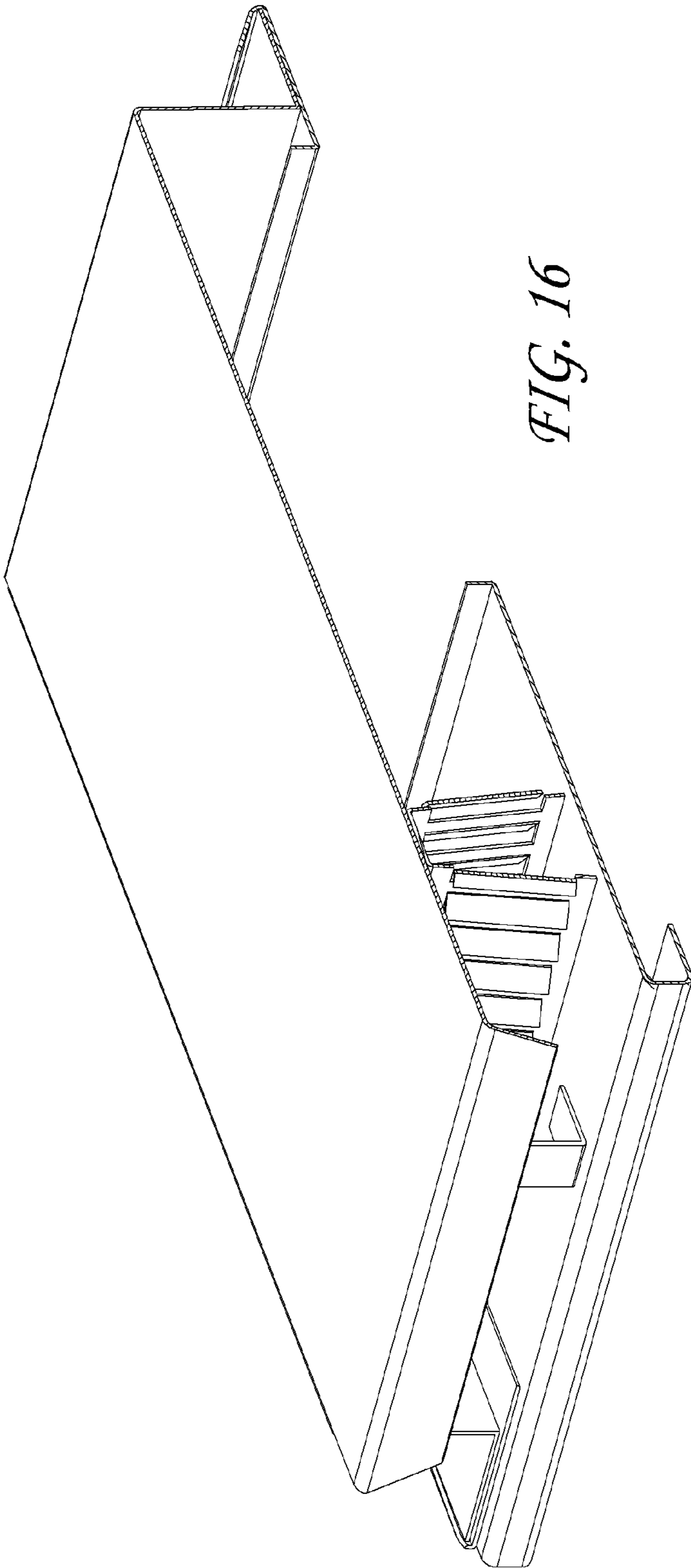


FIG. 16

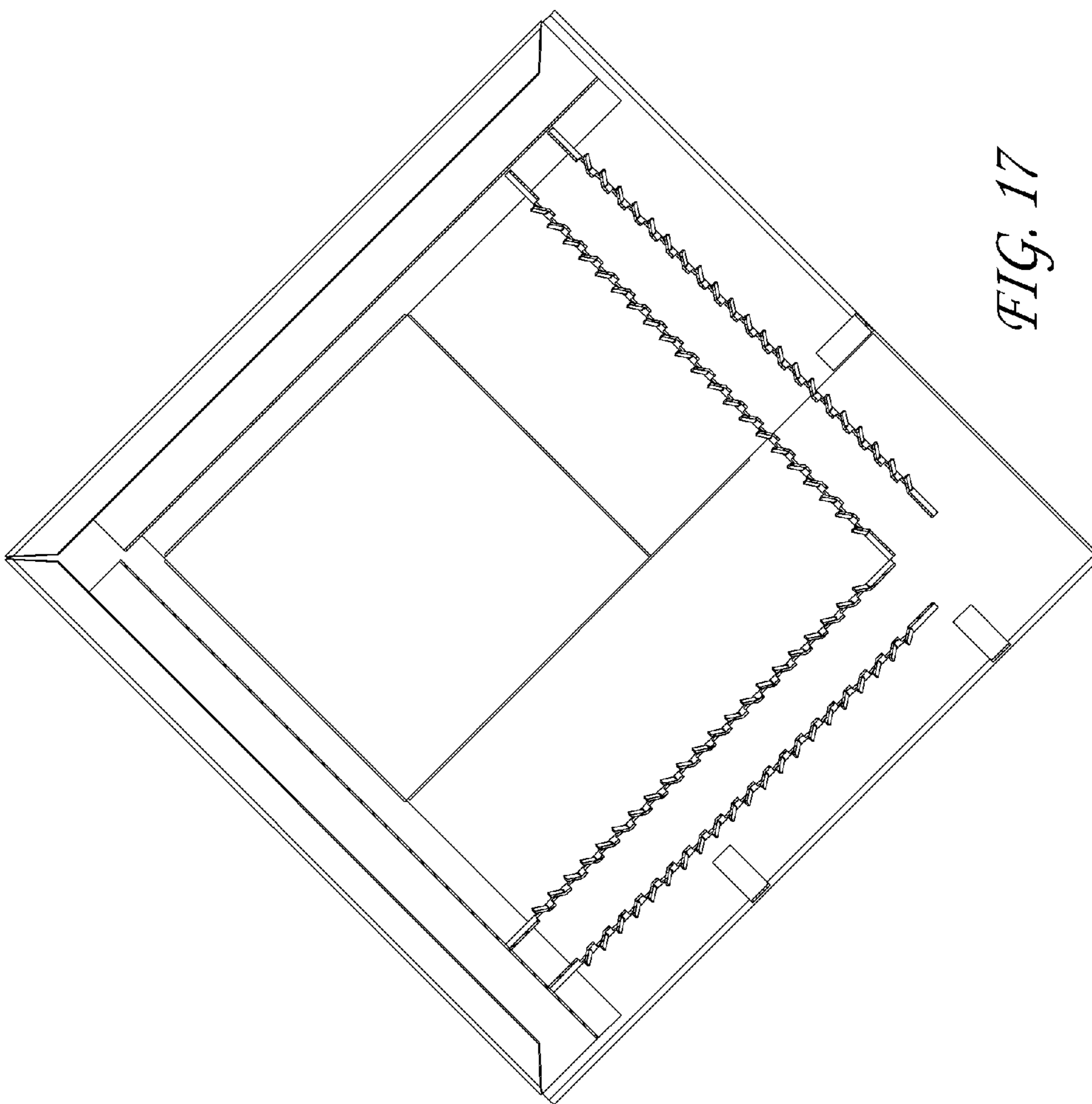


FIG. 17

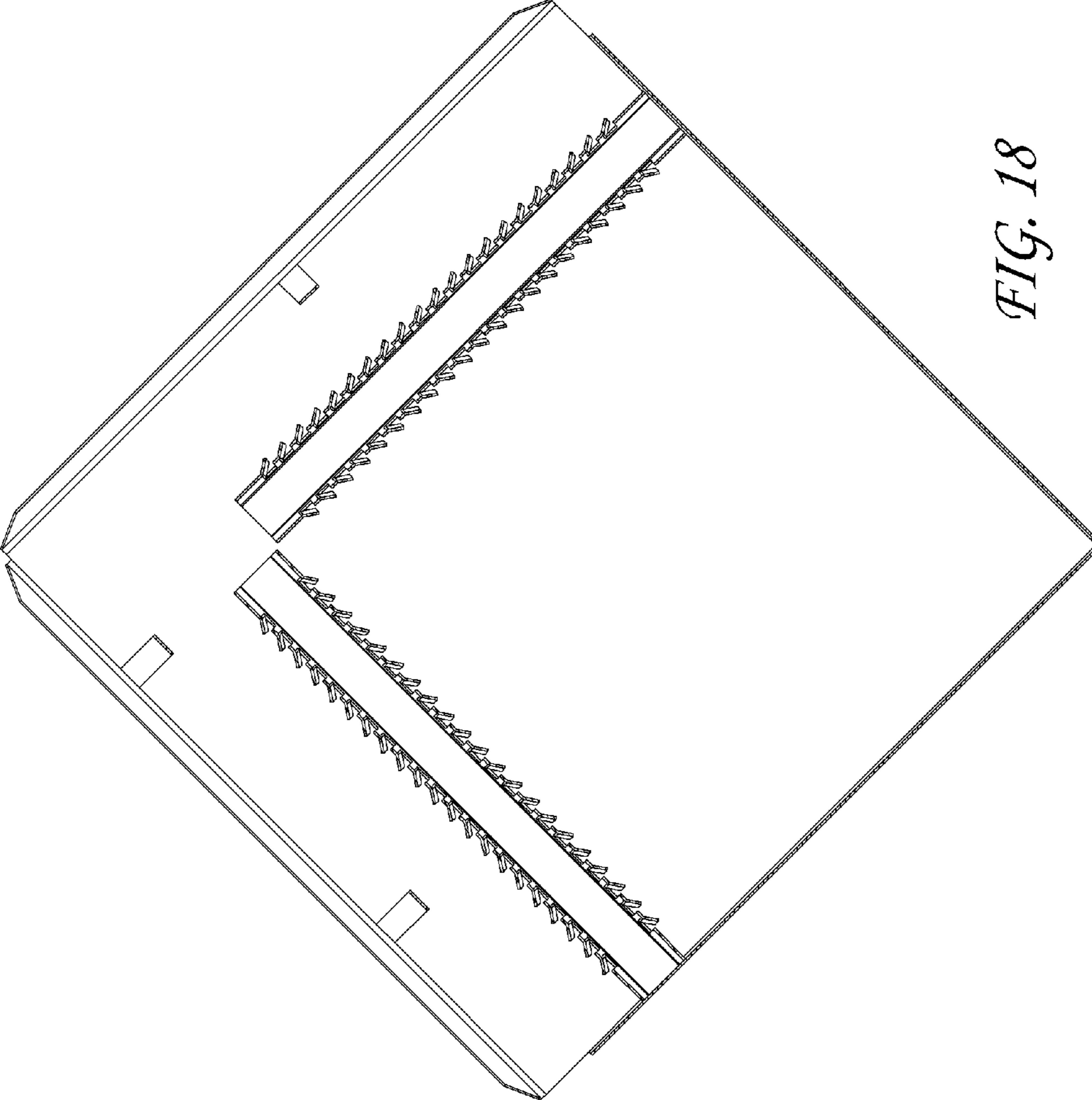


FIG. 18