



US00D703304S

(12) **United States Design Patent**  
**Herbst**

(10) **Patent No.:** **US D703,304 S**  
(45) **Date of Patent:** **\*\* Apr. 22, 2014**

(54) **WATER MISTING FAN WITH FLARED BOTTLE**

(71) Applicant: **O2 Cool, LLC**, Chicago, IL (US)

(72) Inventor: **Scot Herbst**, Santa Cruz, CA (US)

(\*\*) Term: **14 Years**

(21) Appl. No.: **29/455,180**

(22) Filed: **May 17, 2013**

(51) **LOC (10) Cl.** ..... **23-04**

(52) **U.S. Cl.**  
USPC ..... **D23/379**

(58) **Field of Classification Search**  
USPC ..... D23/370–385, 411–414, 365, 364, 328;  
415/60, 66, 68, 208.1, 213.1, 214.1;  
310/257; 361/695; 126/299 D, 299 R;  
D26/51, 72, 73; D32/15, 16; 416/189;  
D13/179

See application file for complete search history.

(56) **References Cited**

**U.S. PATENT DOCUMENTS**

D435,899 S \* 1/2001 Melwani ..... D23/382  
D507,642 S \* 7/2005 Radtke et al. .... D23/379  
D529,166 S \* 9/2006 Geringer ..... D23/379

D544,078 S \* 6/2007 Geringer ..... D23/328  
D565,720 S \* 4/2008 Chen ..... D23/379  
D665,896 S \* 8/2012 Yen ..... D23/379  
D676,536 S \* 2/2013 Roach et al. .... D23/328  
D678,993 S \* 3/2013 Kung-Hua ..... D23/370

\* cited by examiner

*Primary Examiner* — Susan Bennett Hattan

*Assistant Examiner* — Janice Hallmark

(74) *Attorney, Agent, or Firm* — Knechtel, Demeur & Samlan

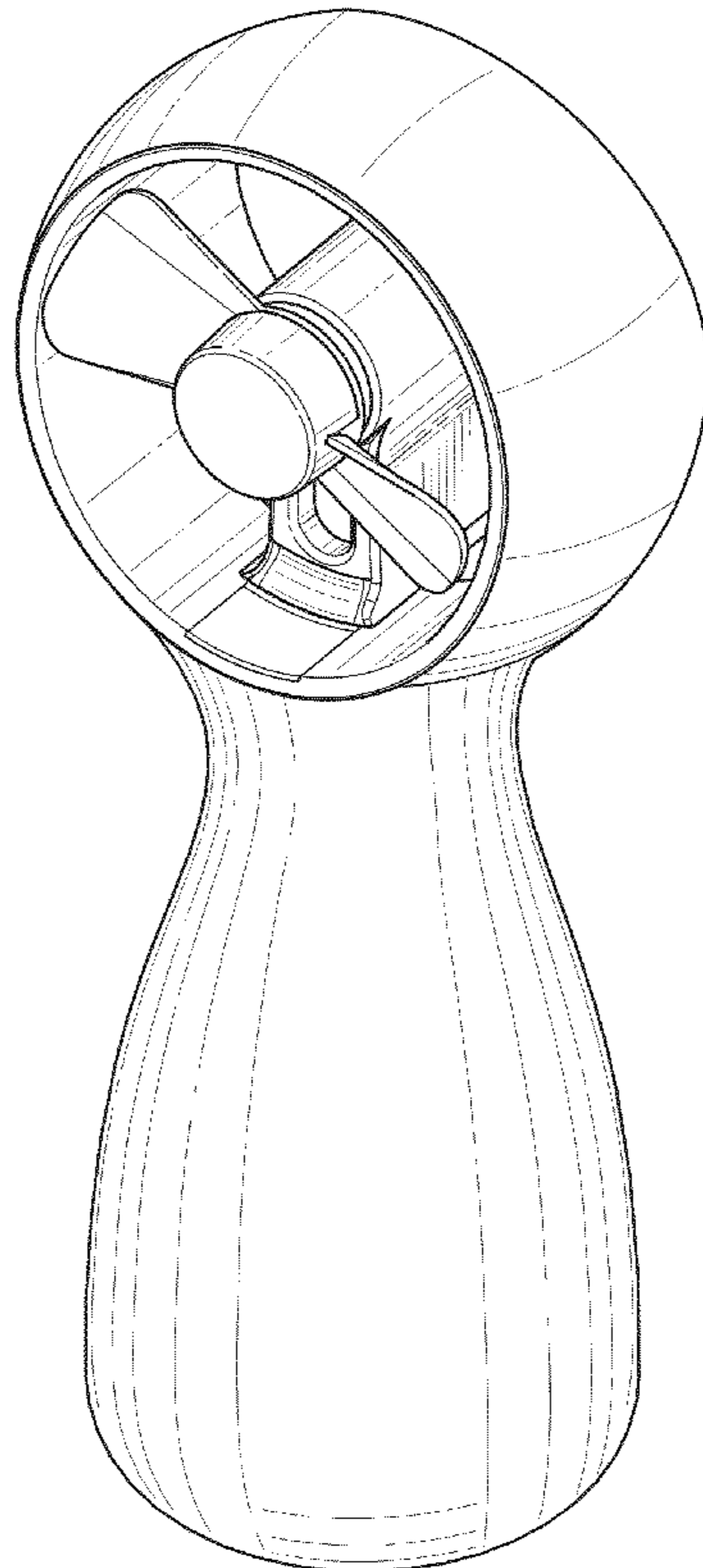
(57) **CLAIM**

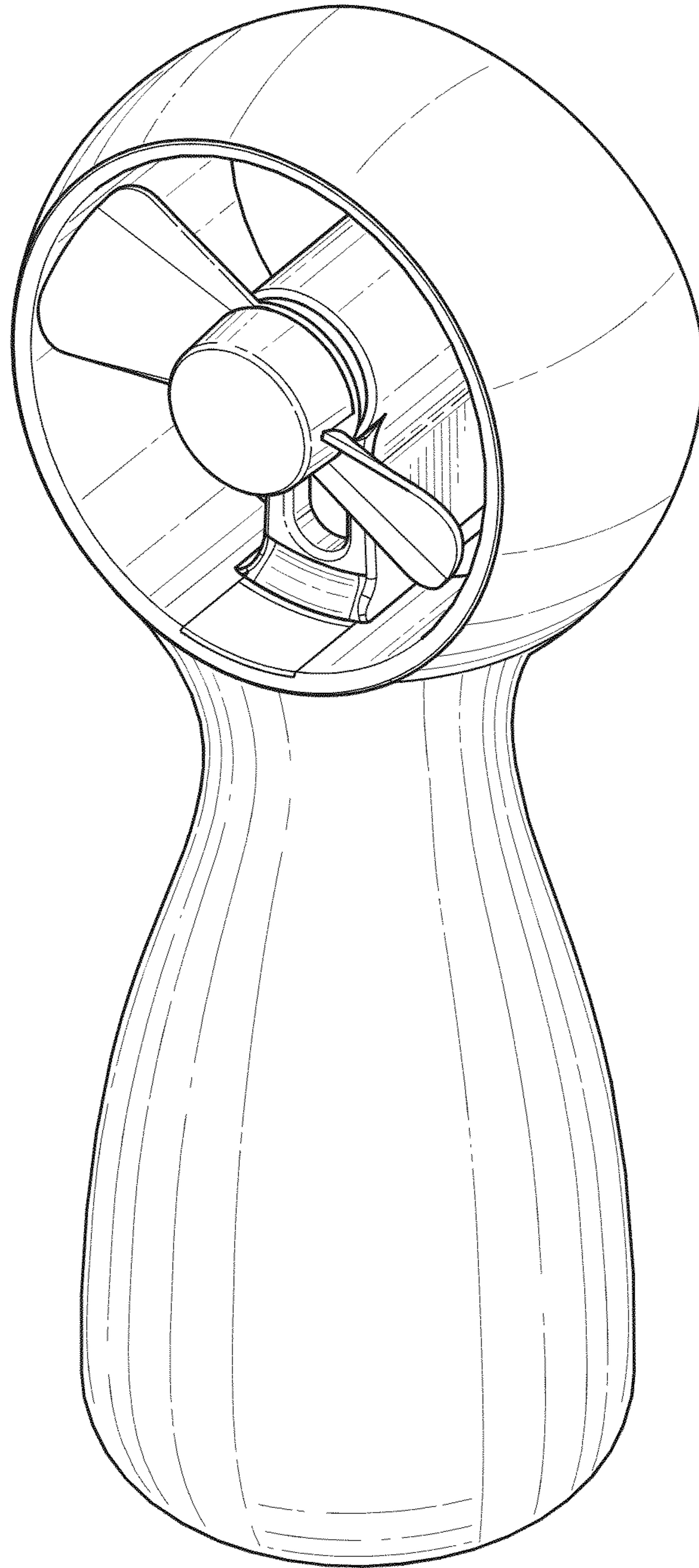
I claim the ornamental design for a water misting fan with flared bottle, as shown and described.

**DESCRIPTION**

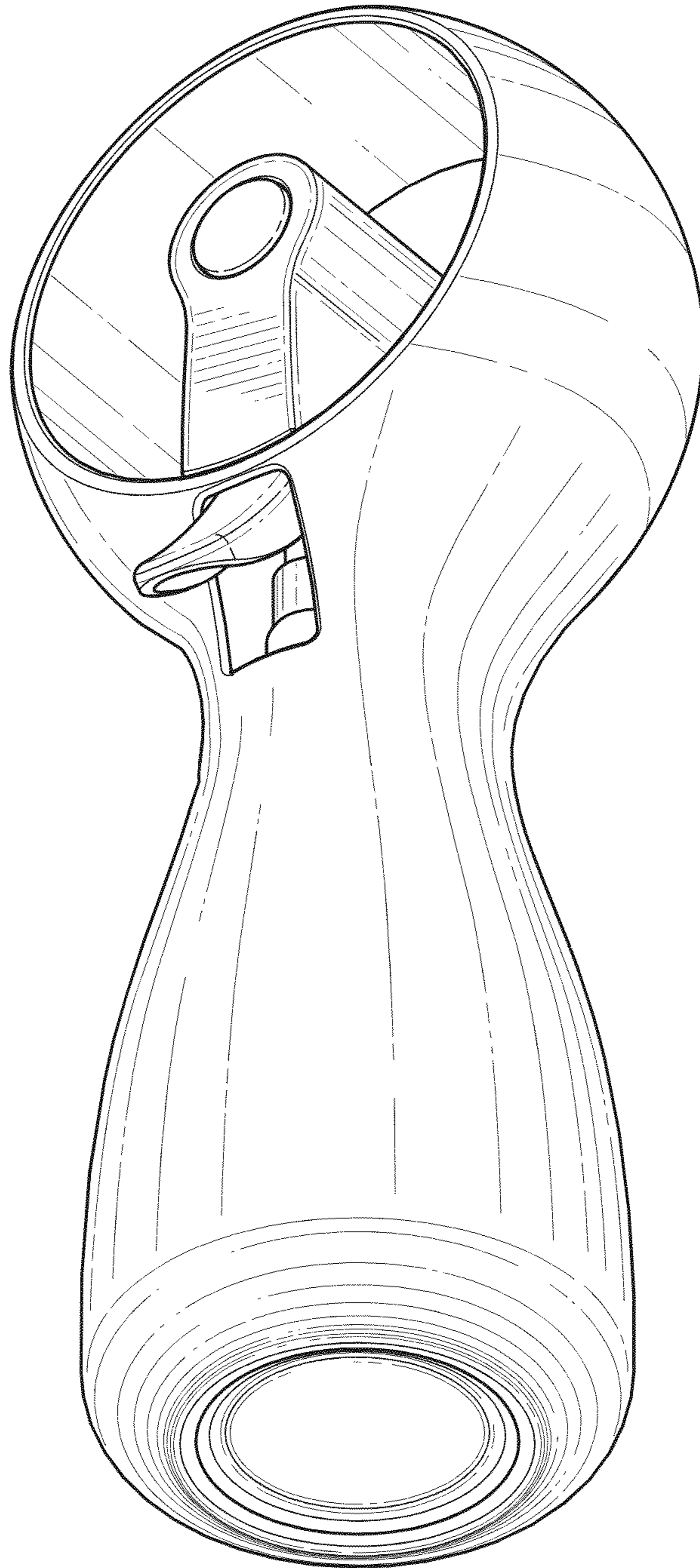
FIG. 1 is a front right side perspective view of the water misting fan with flared bottle showing my new design; FIG. 2 is a rear corner perspective view thereof; FIG. 3 is a front elevation view thereof; FIG. 4 is a rear elevation view thereof; FIG. 5 is a right side view thereof; FIG. 6 is a left side view thereof; FIG. 7 is a top view thereof; and, FIG. 8 is a bottom view thereof.

**1 Claim, 7 Drawing Sheets**

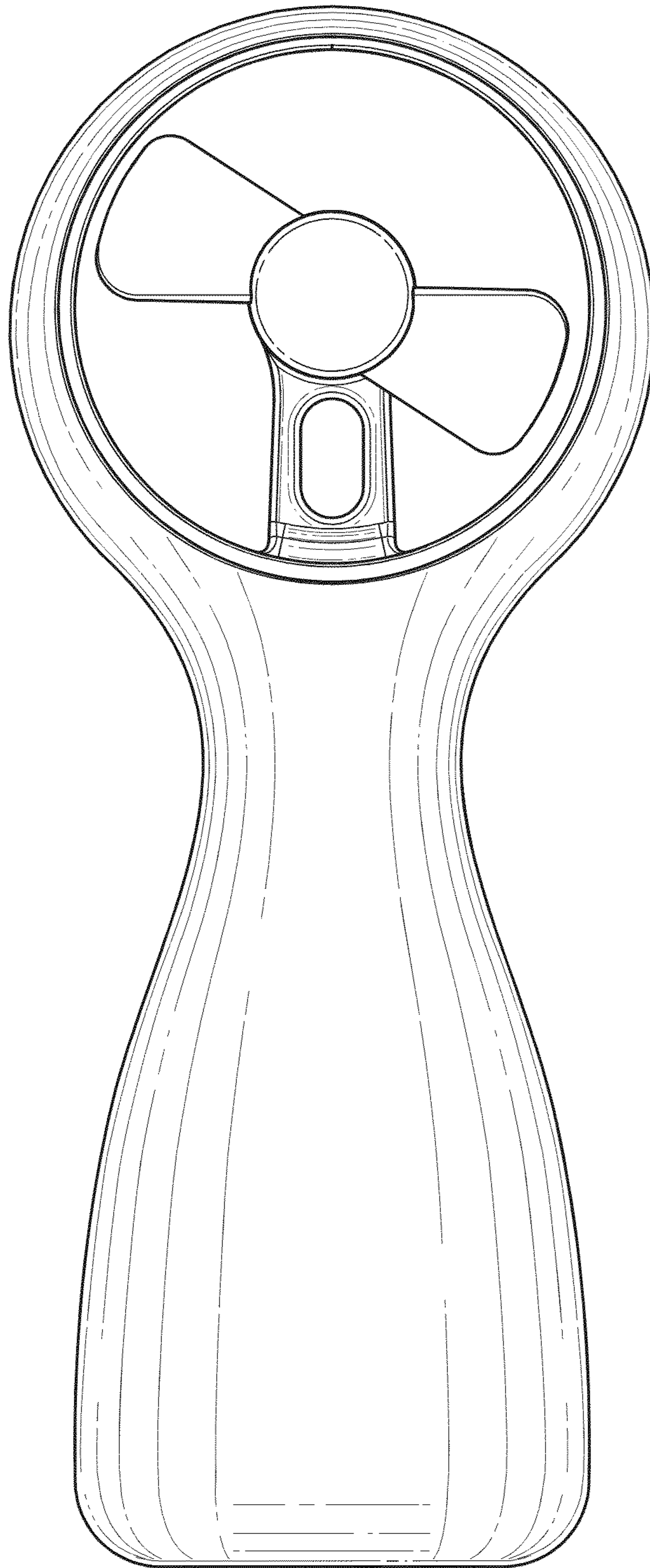




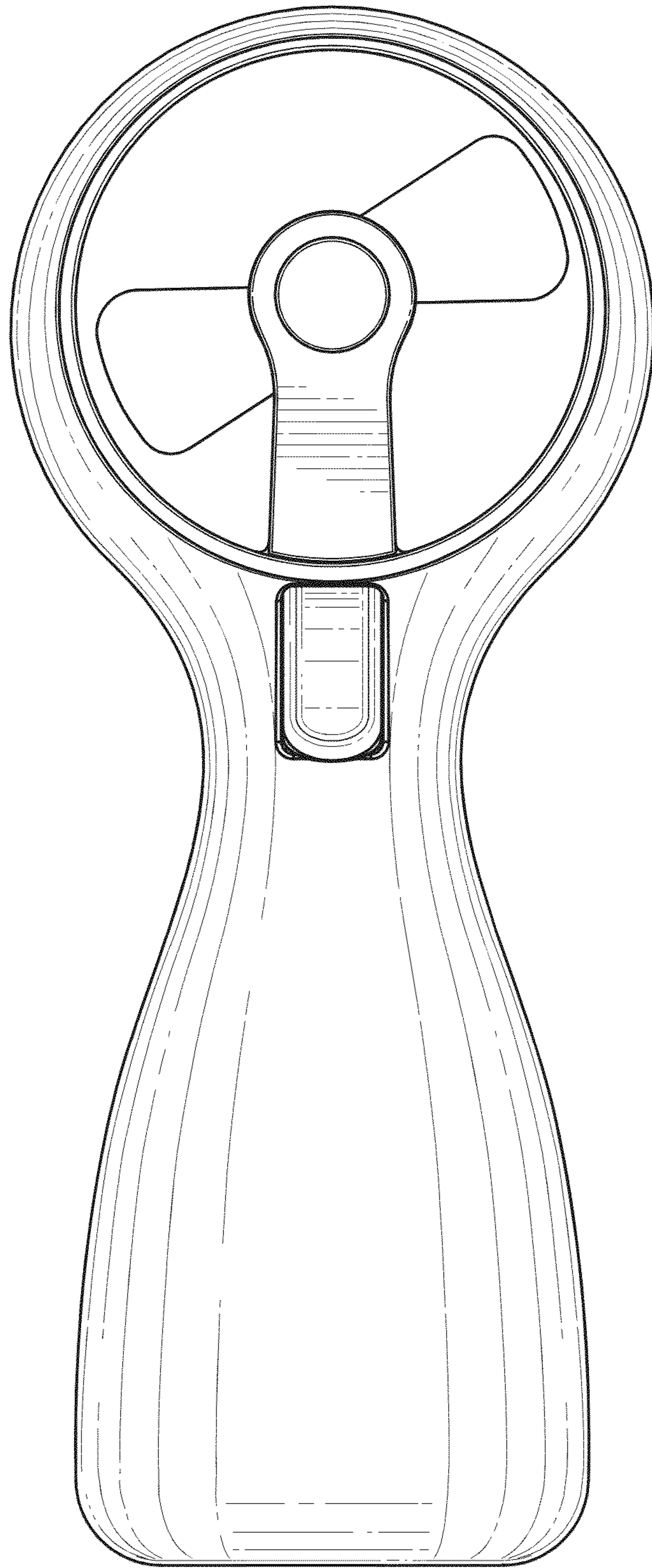
**FIG. 1**



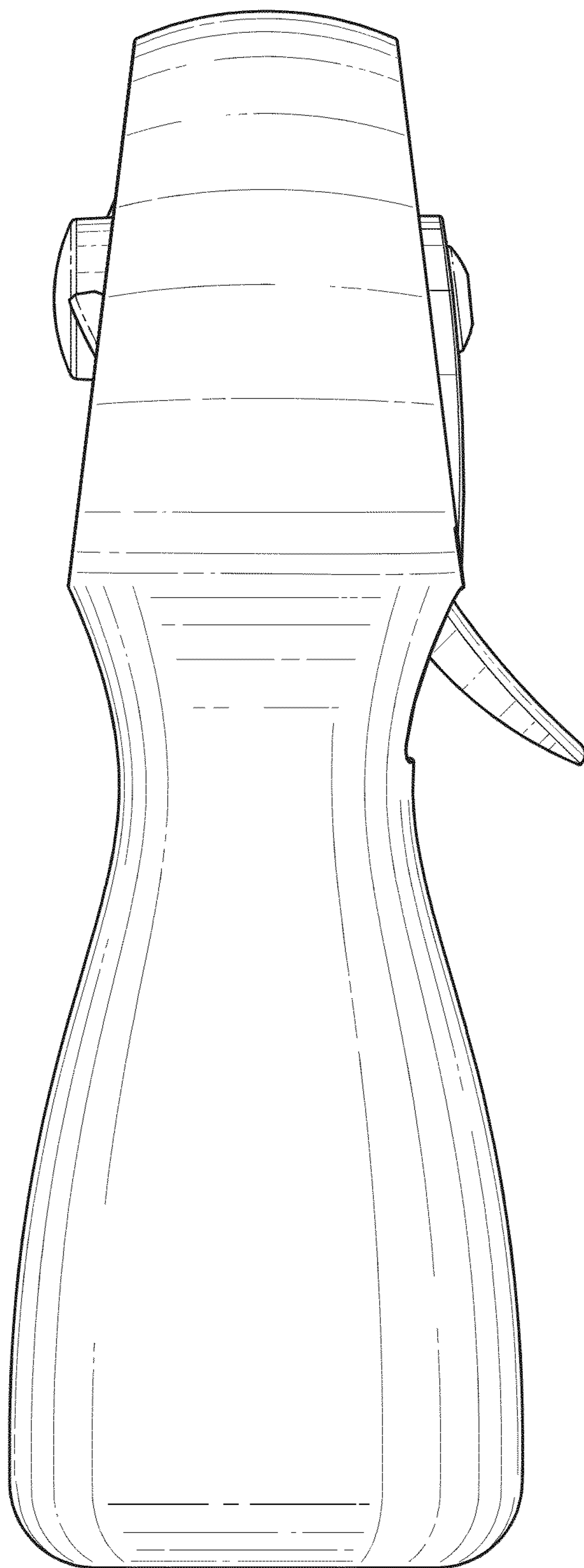
**FIG. 2**



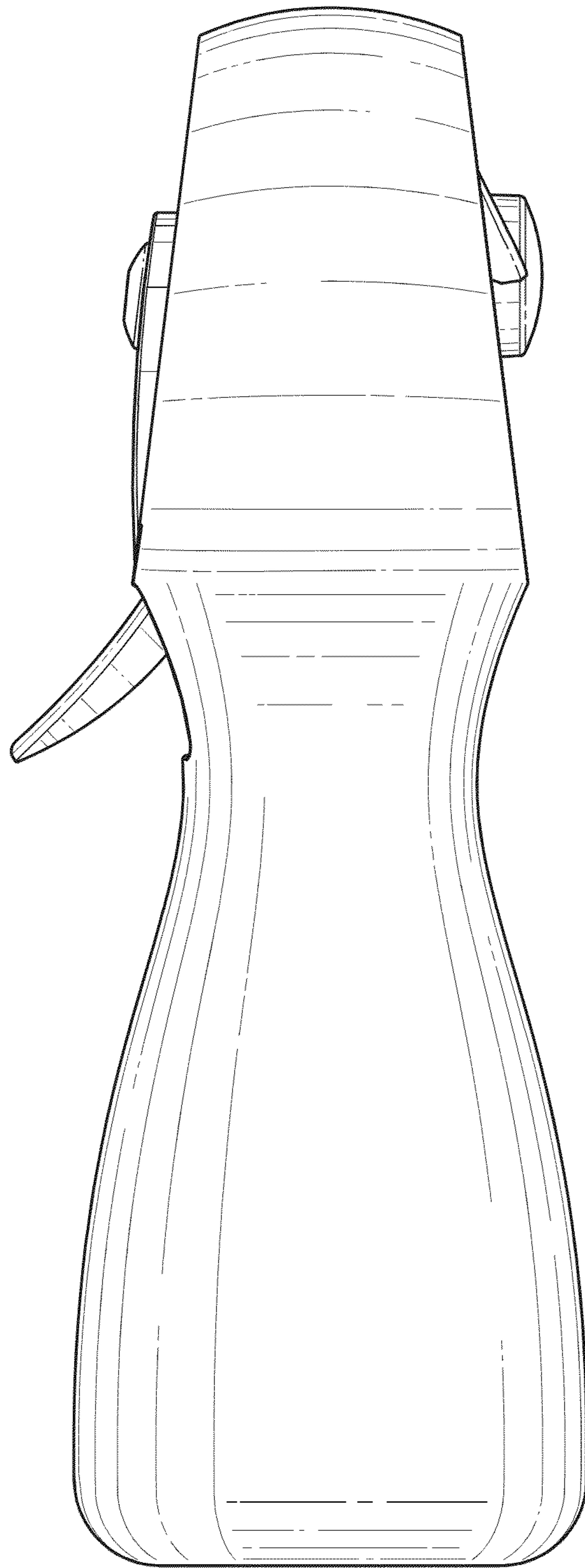
**FIG. 3**



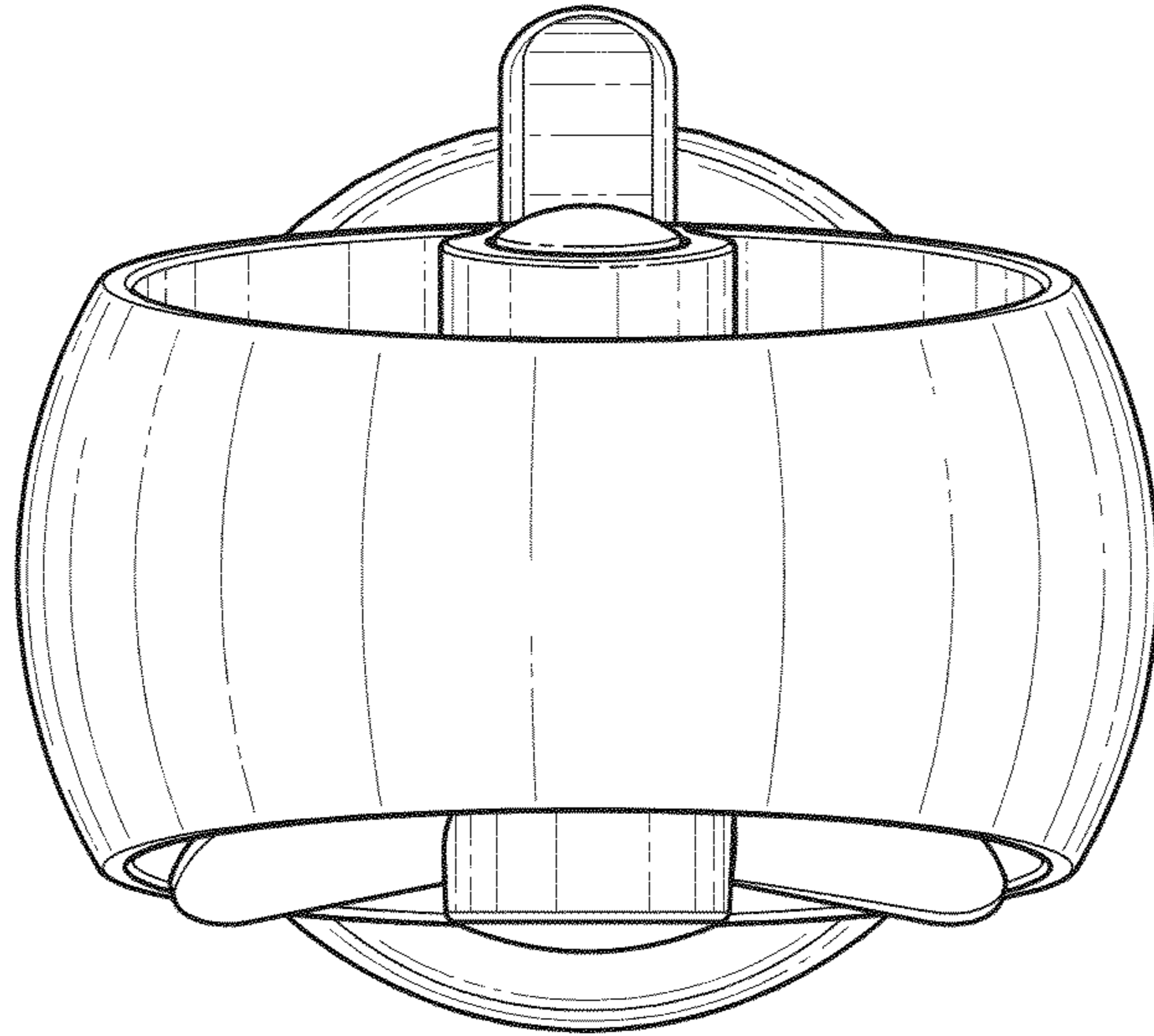
**FIG. 4**



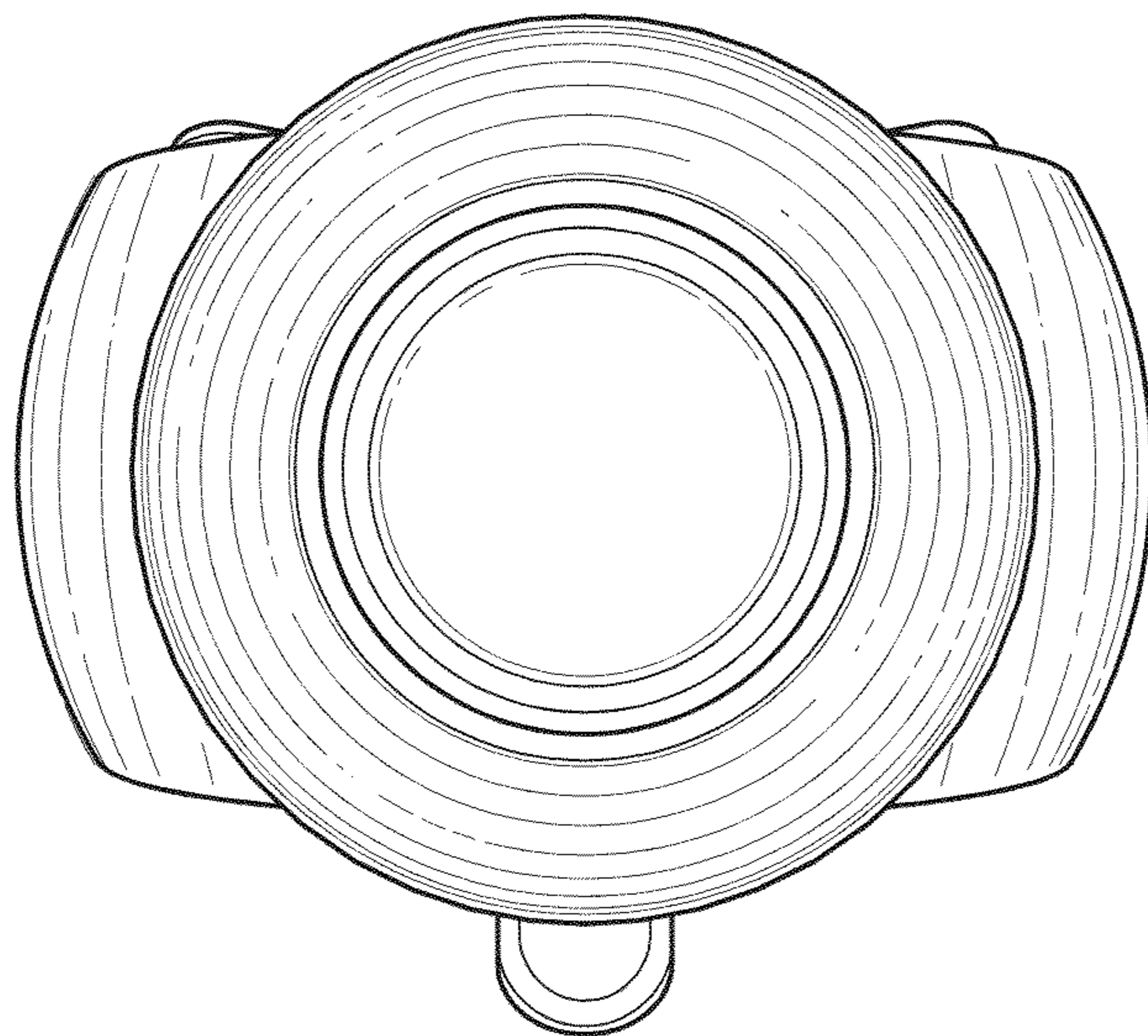
**FIG. 5**



**FIG. 6**



**FIG. 7**



**FIG. 8**