



US00D703302S

(12) **United States Design Patent**
Ruck

(10) **Patent No.:** **US D703,302 S**
(45) **Date of Patent:** **** Apr. 22, 2014**

- (54) **ELECTRIC FAN**
- (71) Applicant: **Ruck Ventilatoren GmbH**, Boxberg (DE)
- (72) Inventor: **Gerhard Ruck**, Boxberg (DE)
- (73) Assignee: **Ruck Ventilatoren GmbH**, Boxberg (DE)
- (**) Term: **14 Years**
- (21) Appl. No.: **29/443,419**
- (22) Filed: **Jan. 17, 2013**

- (30) **Foreign Application Priority Data**
Jul. 17, 2012 (EM) 002075010-0002
- (51) **LOC (10) Cl.** **23-04**
- (52) **U.S. Cl.**
USPC **D23/370**
- (58) **Field of Classification Search**
USPC D23/370-385, 411-414, 365, 364;
415/60, 66, 68, 208.1, 213.1, 214.1;
310/257; 361/695; 126/299 D, 299 R;
D26/51, 72, 73; D32/15, 16; 416/189;
D13/179
See application file for complete search history.

- (56) **References Cited**
U.S. PATENT DOCUMENTS
D481,452 S * 10/2003 Luo D23/377
D506,818 S * 6/2005 Lin D23/370

- D571,449 S * 6/2008 Lin D23/383
- D593,192 S * 5/2009 Spaggiari D23/370
- D597,193 S * 7/2009 Reuter D23/382
- D609,323 S * 2/2010 Spaggiari D23/370
- D672,863 S * 12/2012 Romero Carreras D23/370
- D681,184 S * 4/2013 Romero Carreras D23/370

* cited by examiner

Primary Examiner — Susan Bennett Hattan

Assistant Examiner — Janice Hallmark

(74) *Attorney, Agent, or Firm* — Leason Ellis LLP.

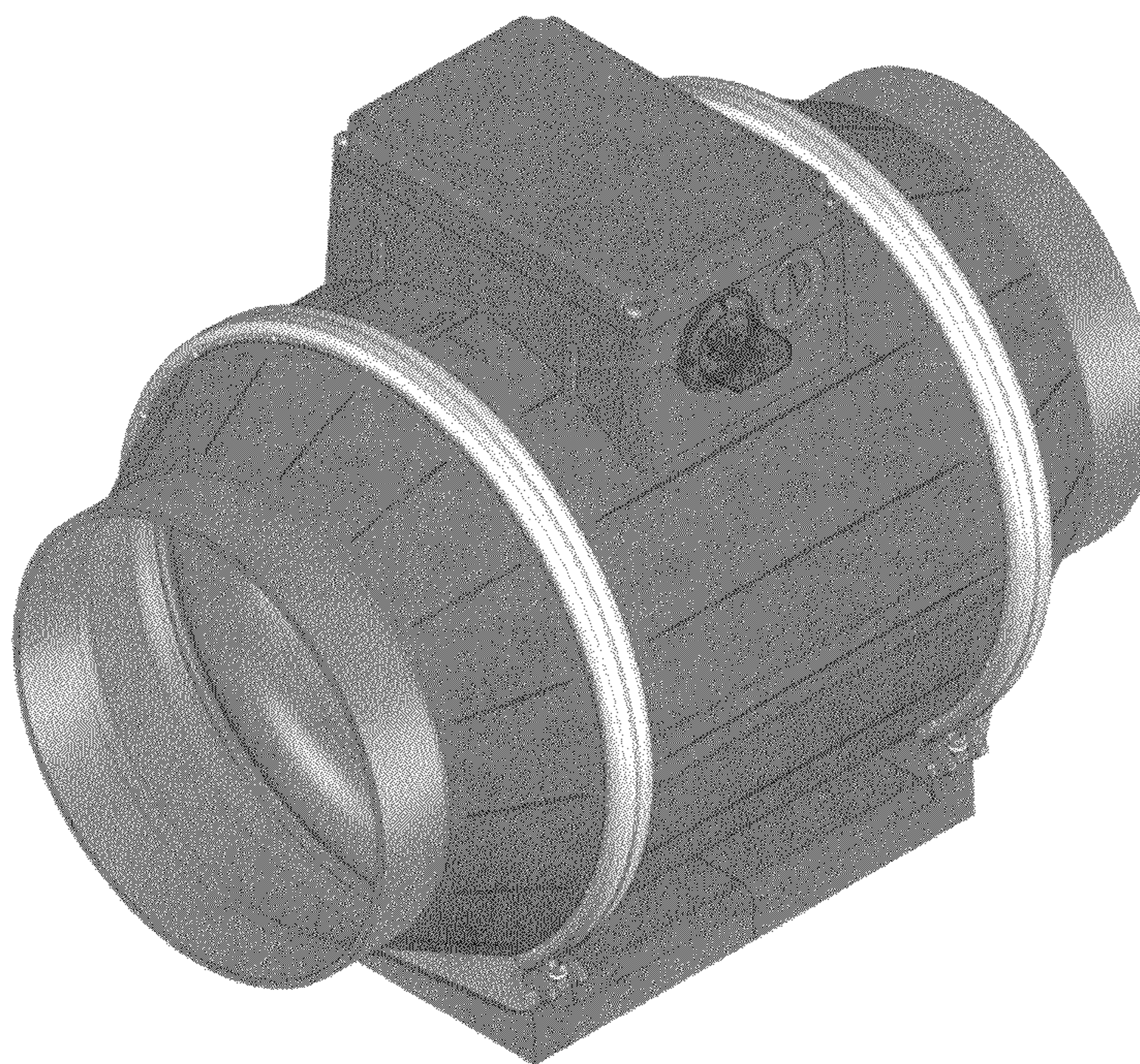
(57) **CLAIM**

The ornamental design for an electric fan, as shown and described.

DESCRIPTION

FIG. 1 is a front, top, right side perspective view of an electric fan, showing my new design;
 FIG. 2 is a front elevation view thereof;
 FIG. 3 is a bottom plan view thereof;
 FIG. 4 is a right side elevation view thereof;
 FIG. 5 is a top plan view thereof;
 FIG. 6 is left side elevation view thereof; and,
 FIG. 7 is a rear elevation view thereof.

1 Claim, 7 Drawing Sheets



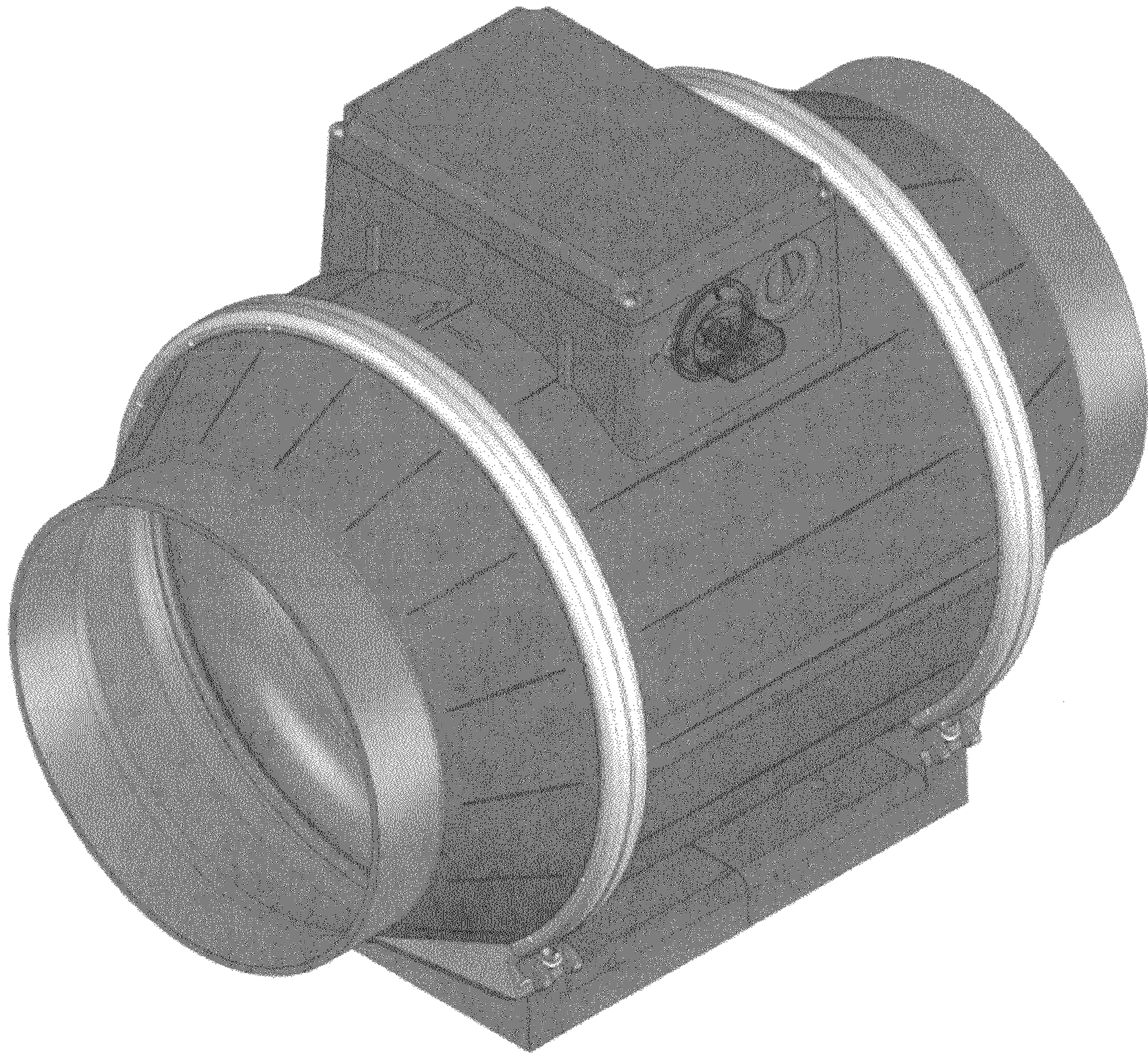


FIG. 1

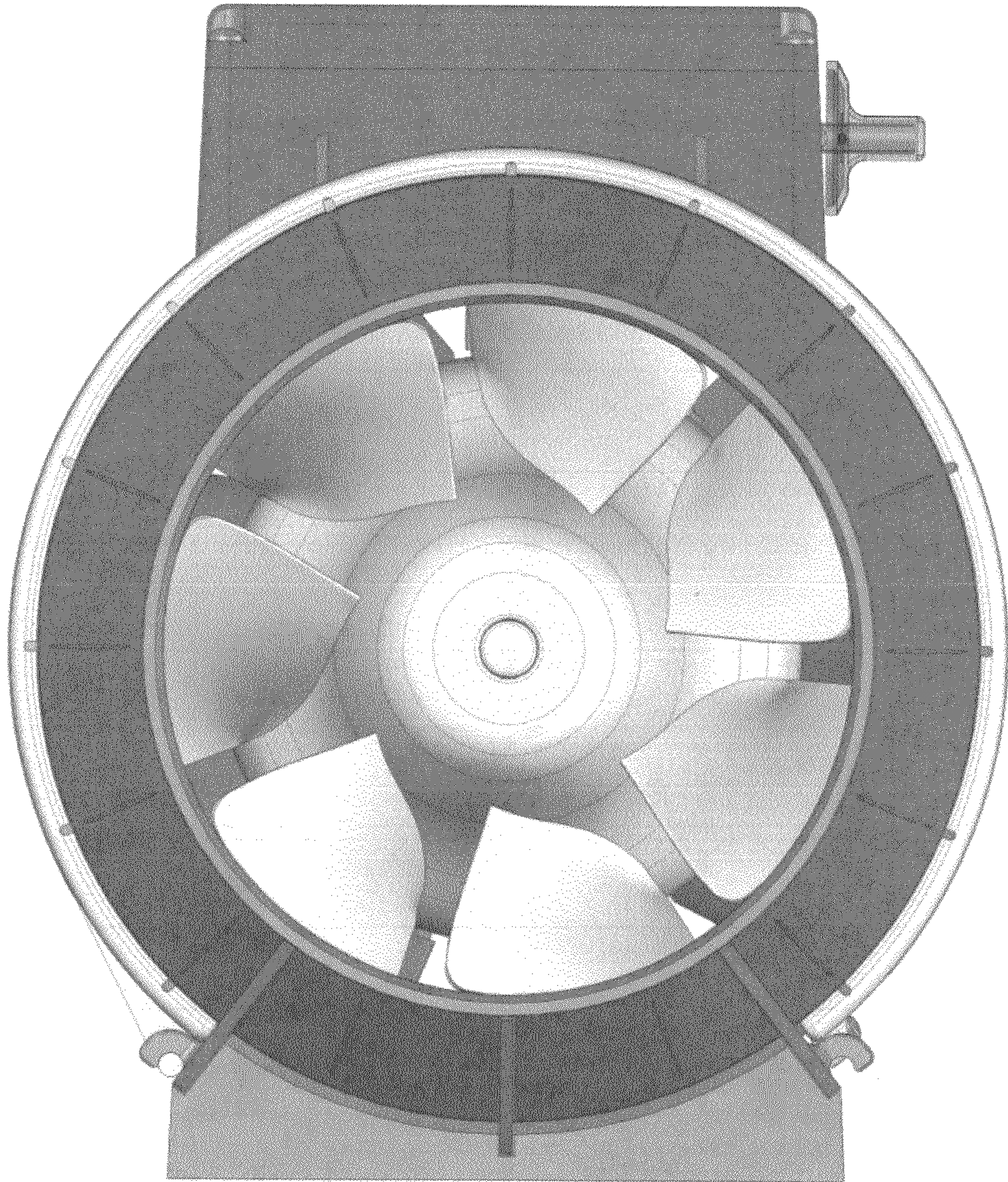


FIG. 2

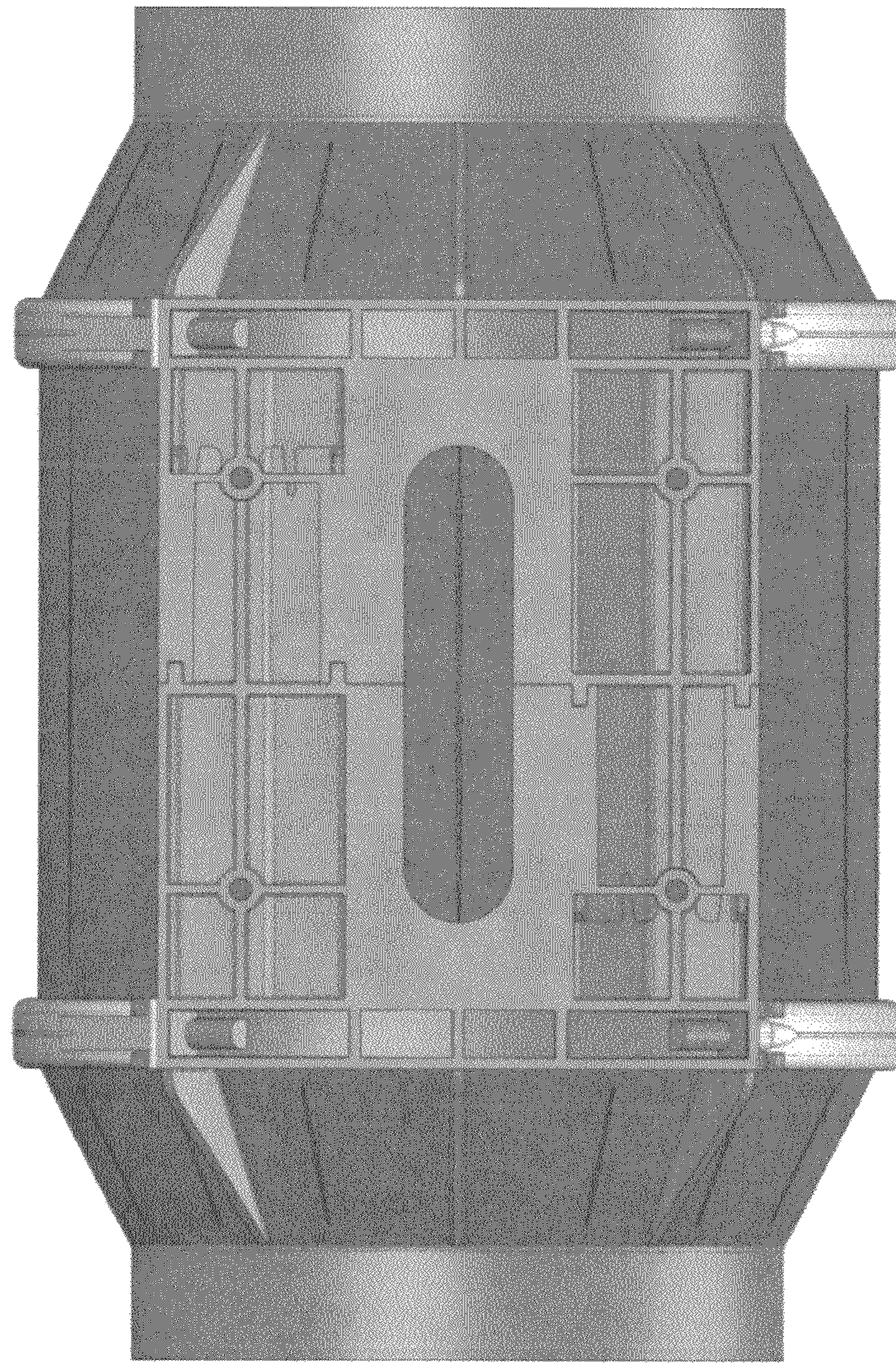


FIG. 3

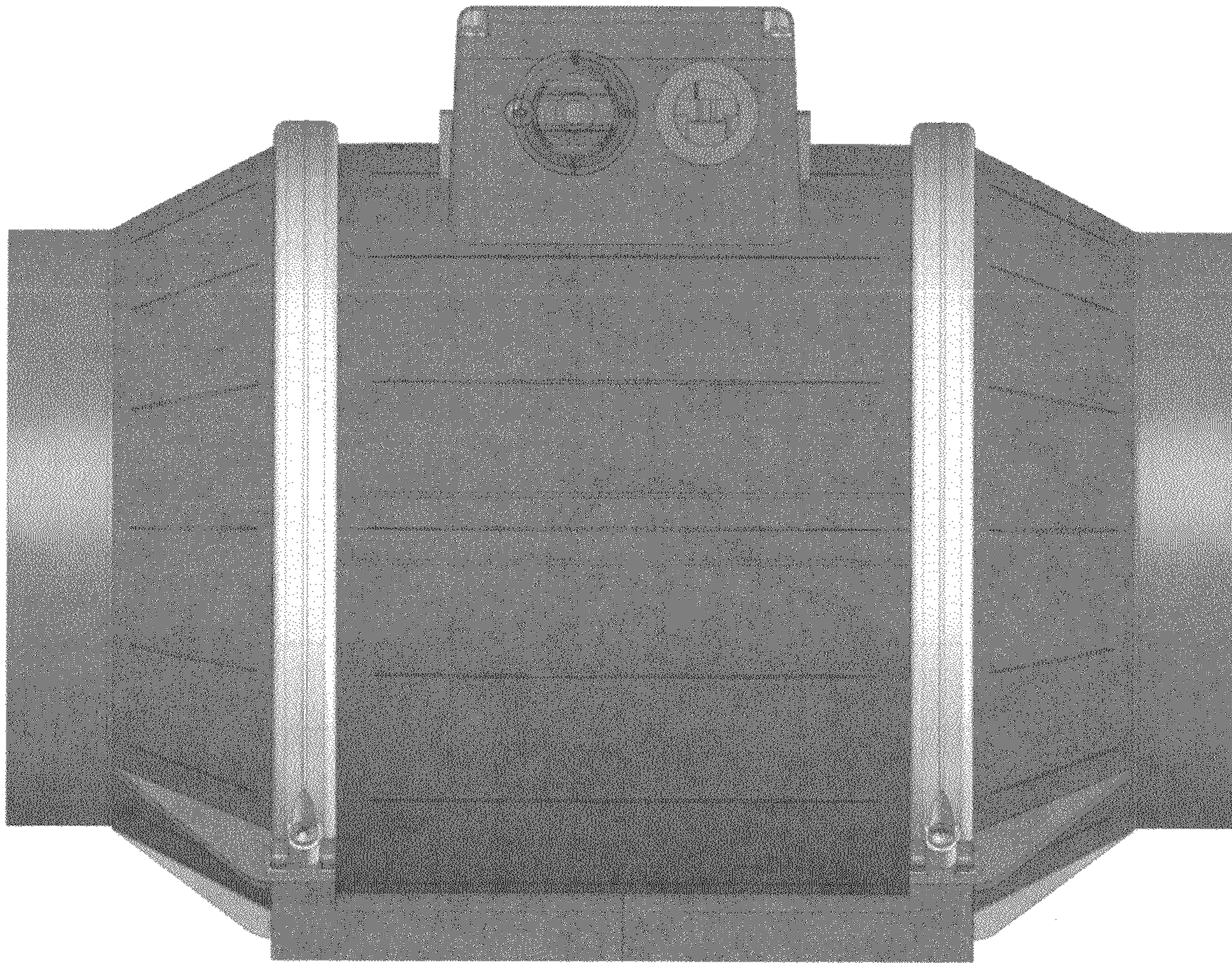


FIG. 4

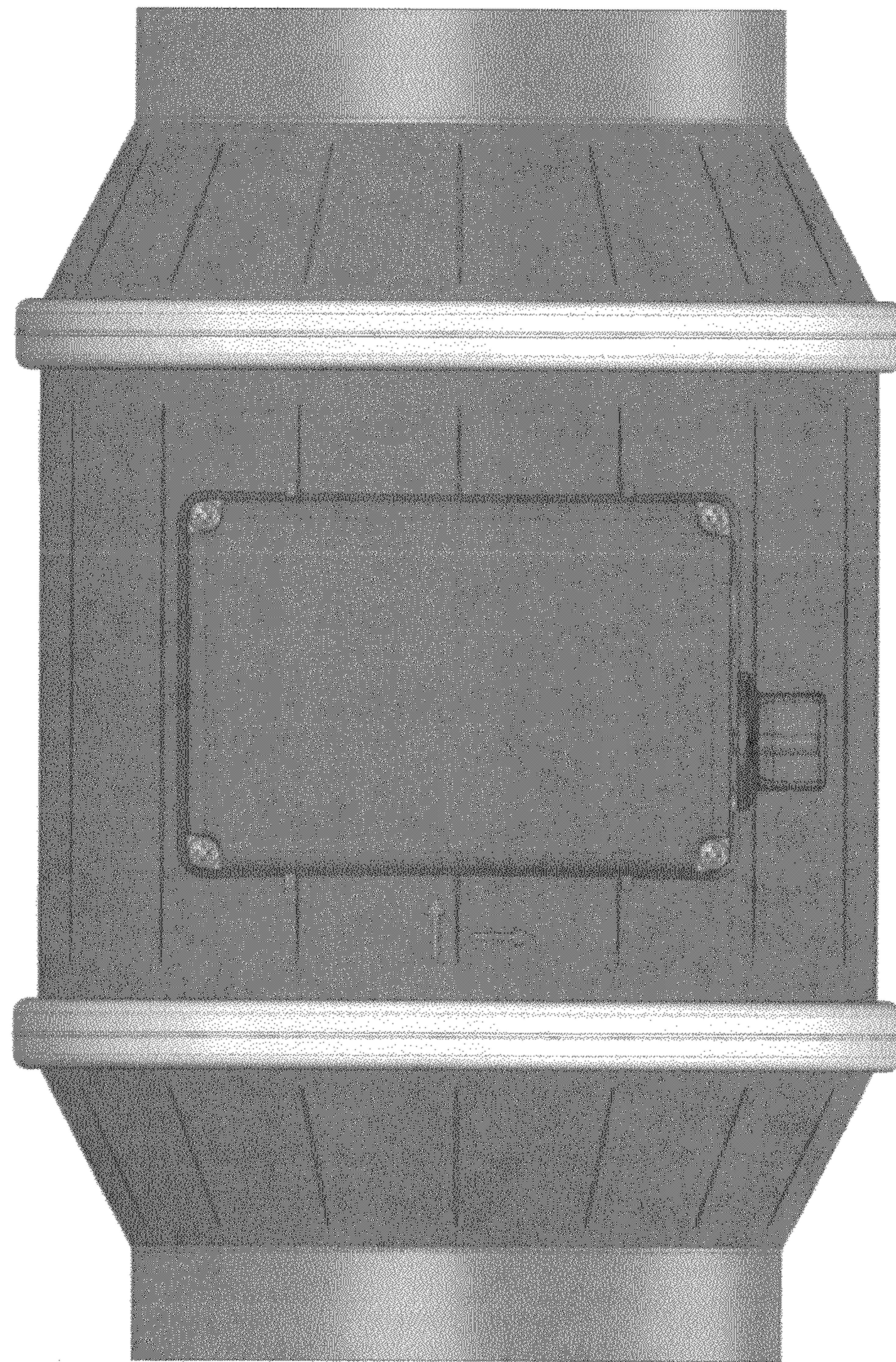


FIG. 5

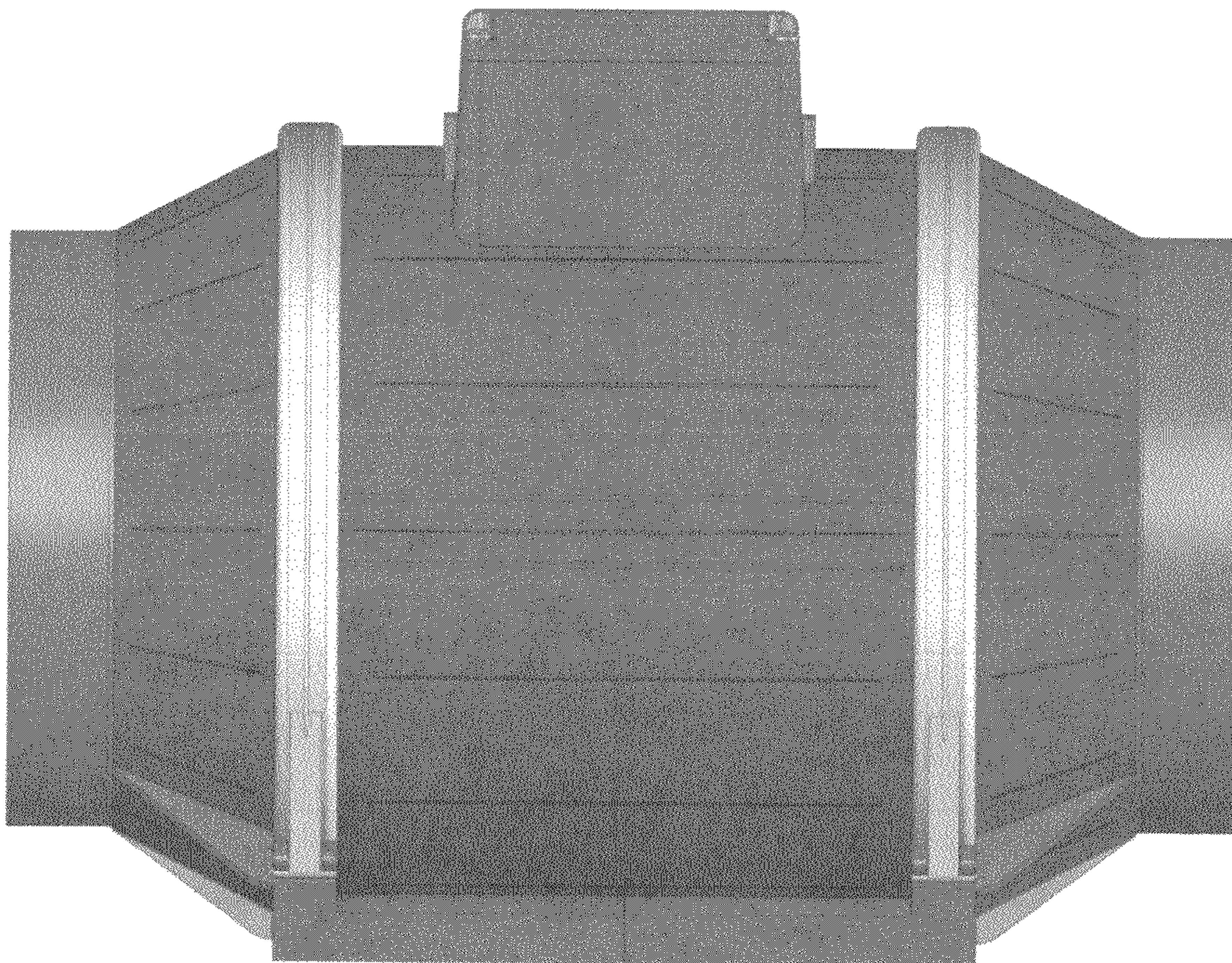


FIG. 6

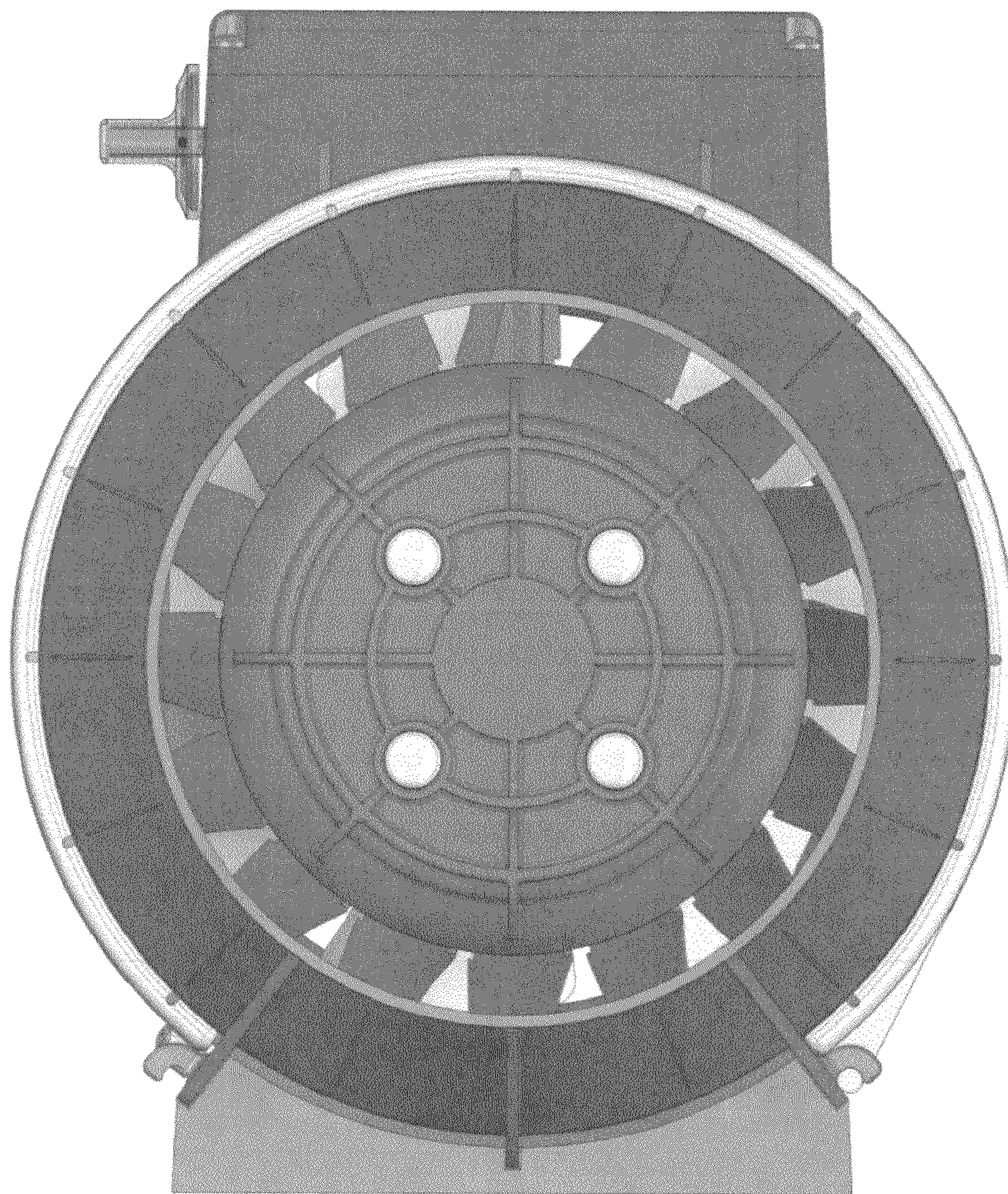


FIG. 7