



US00D703301S

(12) **United States Design Patent**
Peia

(10) **Patent No.:** **US D703,301 S**
(45) **Date of Patent:** **** Apr. 22, 2014**

(54) **AXIAL FAN**
(75) Inventor: **Rodica Peia**, Zimmern-ob-Rottweil (DE)
(73) Assignee: **EBM-Papst St. Georgen GmbH & Co. KG**, St. Georgen (DE)
(**) Term: **14 Years**
(21) Appl. No.: **29/411,018**
(22) Filed: **Jan. 16, 2012**

DE 4130520 A1 3/1993
DE 19503521 A1 8/1995
DE 19643339 A1 4/1998
DE 19911158 C2 10/1999
DE 19916521 A1 10/1999
DE 20019449 U1 2/2001
DE 20019451 U1 3/2001
DE 202006002789 U 4/2006
DE 102006008079 A 8/2006
DE 202008008436 U 11/2008
DE 202008015459 U 5/2009
EP 1657448 A1 5/2006

(Continued)

(30) **Foreign Application Priority Data**

Aug. 8, 2011 (EM) 001902172-0001

(51) **LOC (10) Cl.** **23-04**

(52) **U.S. Cl.**
USPC **D23/370**

(58) **Field of Classification Search**
USPC D23/370-385; 415/60, 66, 68, 208.1,
415/213.1, 214.1; 310/257; 361/695
See application file for complete search history.

(56) **References Cited**

U.S. PATENT DOCUMENTS

5,018,395 A 5/1991 Hickox et al. 73/864.34
D393,709 S * 4/1998 Nishizawa D23/390
6,013,966 A 1/2000 Fehrenbacher et al. 310/257
6,622,924 B2 9/2003 Arata et al. 236/44 A
D481,452 S * 10/2003 Luo D23/377
D621,027 S 8/2010 Peia D23/411
D631,150 S 1/2011 Eimer et al. D23/411
D639,924 S * 6/2011 Winkler D23/370
D676,951 S * 2/2013 Winkler D23/370
2009/0191054 A1 * 7/2009 Winkler 415/215.1
2009/0263242 A1 * 10/2009 Winkler et al. 415/213.1
2012/0308373 A1 * 12/2012 Farlow et al. 415/208.1

FOREIGN PATENT DOCUMENTS

DE 3804549 A1 8/1988
DE 3838367 A1 6/1989
DE 3823447 A1 1/1990

OTHER PUBLICATIONS

Delta Electronics Fan Catalog 413D0807, 2008, 10 pages.
Sunonwealth Elec. Machinery Co. Ltd., advertisement, 1 page, Aug. 8, 2011.
Delta Electronics, Inc., Fan BFB0312HD, pictures taken Aug. 2005.
L & V Fan Company, Fan LVDHV-10051, pictures taken circa Oct. 2005.

Primary Examiner — Susan Bennett Hattan
Assistant Examiner — Janice Hallmark
(74) *Attorney, Agent, or Firm* — Milton Oliver, Esq.; Oliver Intellectual Property LLC

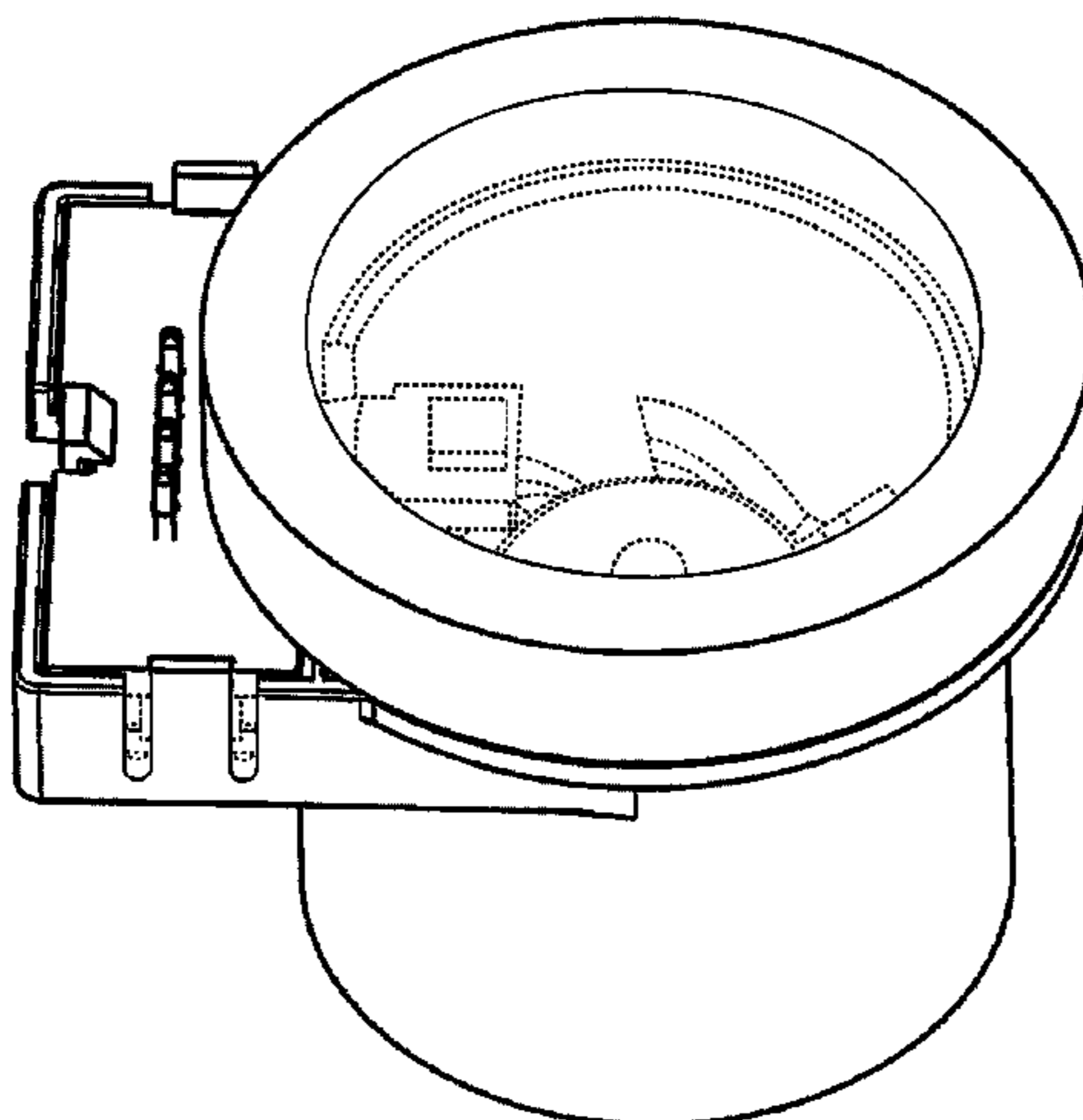
(57) **CLAIM**

The ornamental design for an axial fan, as shown and described.

DESCRIPTION

FIG. 1 is a top perspective view of the invention;
FIG. 2 is a front view thereof;
FIG. 3 is a rear view thereof;
FIG. 4 is a right side view thereof;
FIG. 5 is a left side view thereof;
FIG. 6 is a top view thereof; and,
FIG. 7 is a bottom view thereof.
The broken lines in the drawings depict environmental subject-matter and form no part of the claimed design.

1 Claim, 7 Drawing Sheets



(56)

References Cited

JP	2005-323421 A	11/2005
WO	2006-089578 A	8/2006

FOREIGN PATENT DOCUMENTS

GB

2 220 705 A 1/1990

* cited by examiner

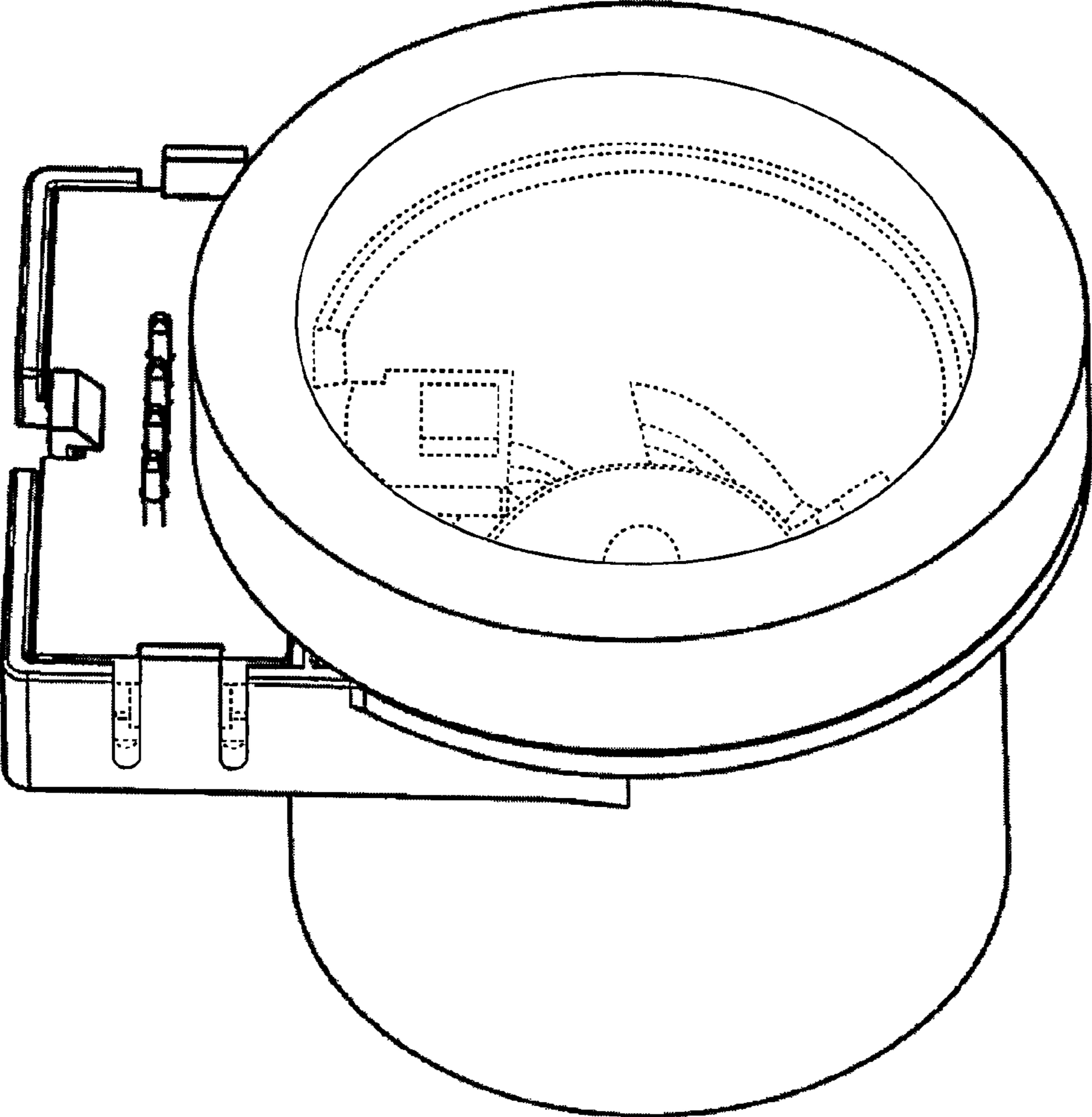


Fig. 1

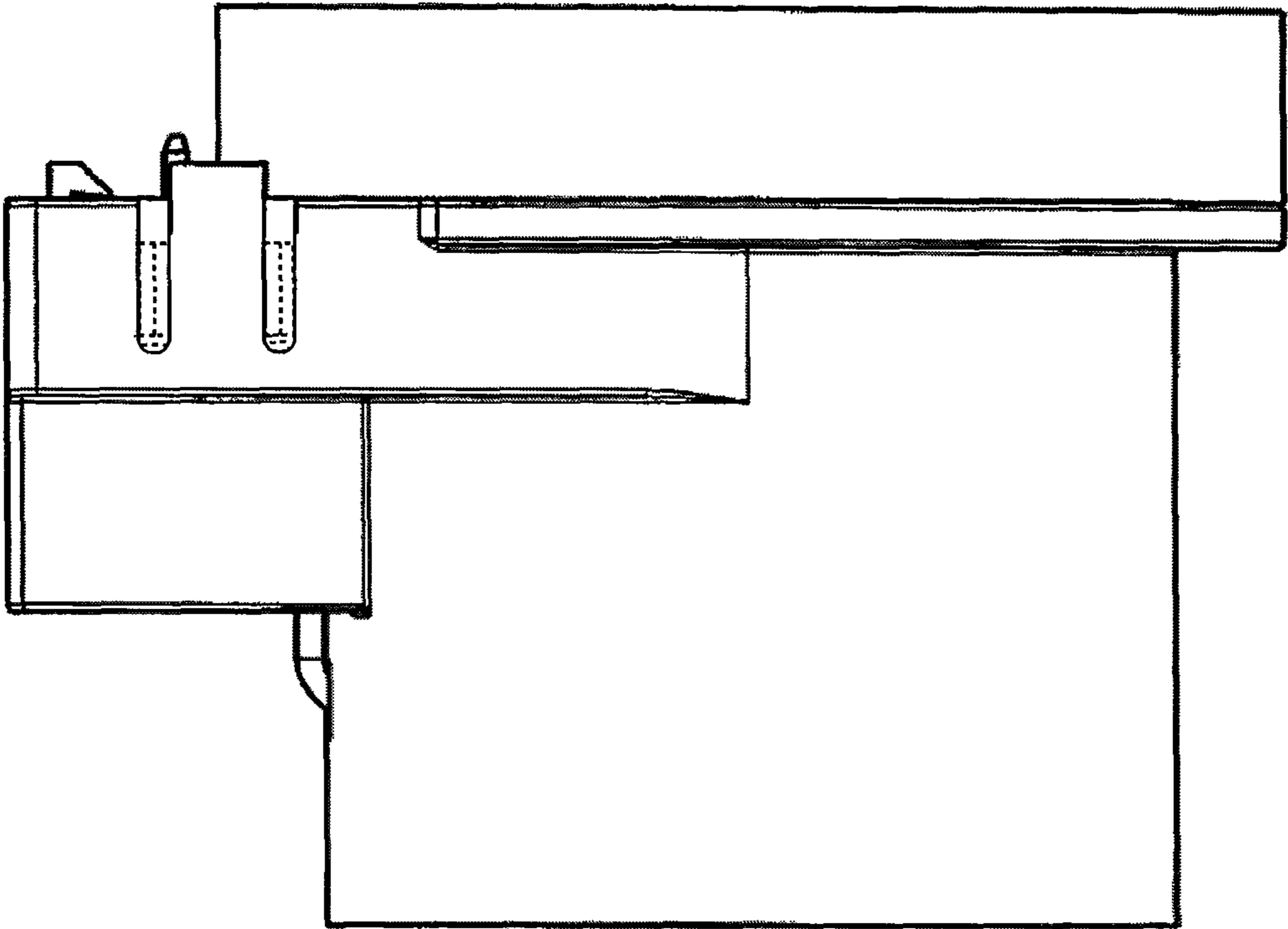


Fig. 2

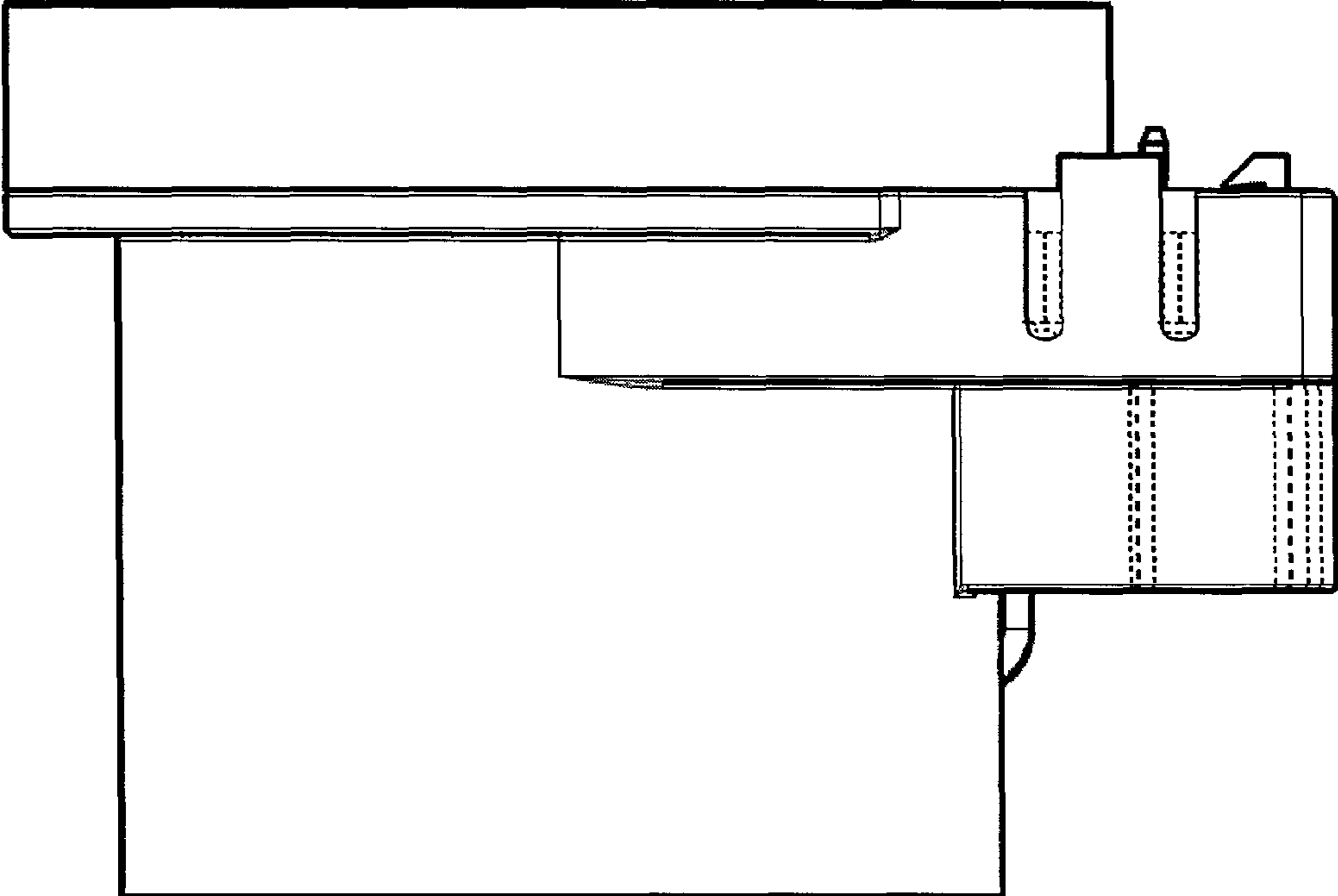


Fig. 3

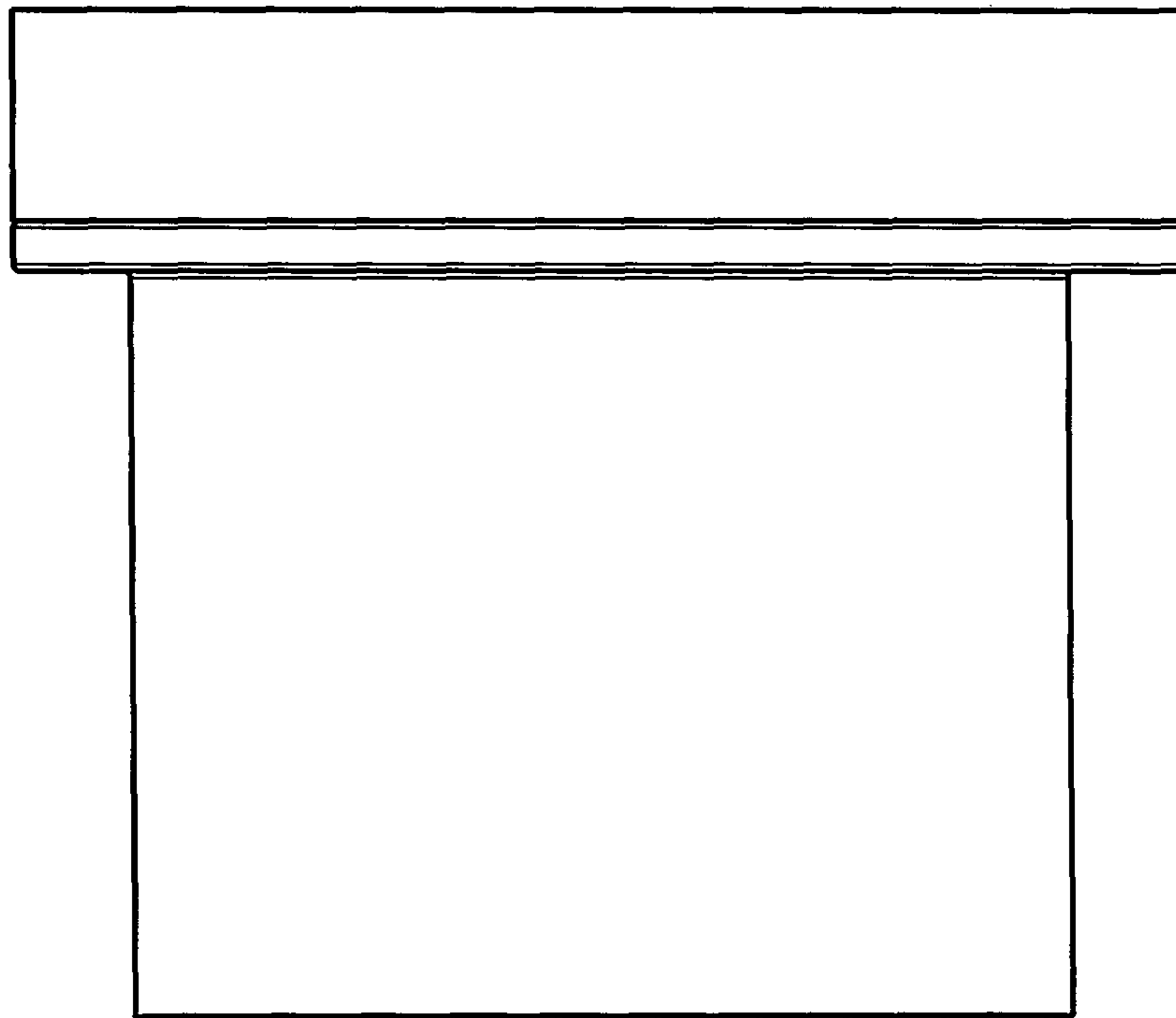


Fig. 4

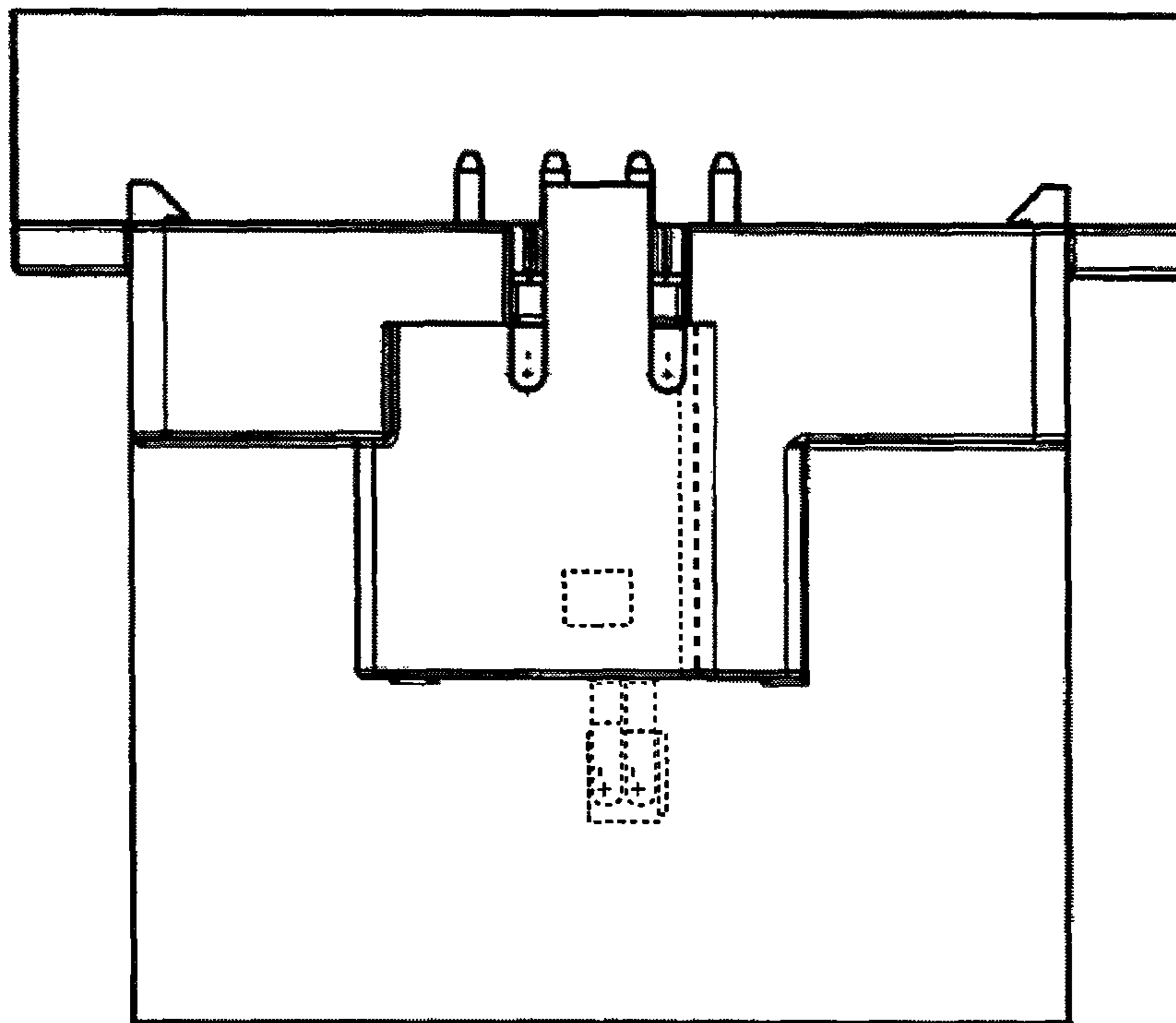


Fig. 5

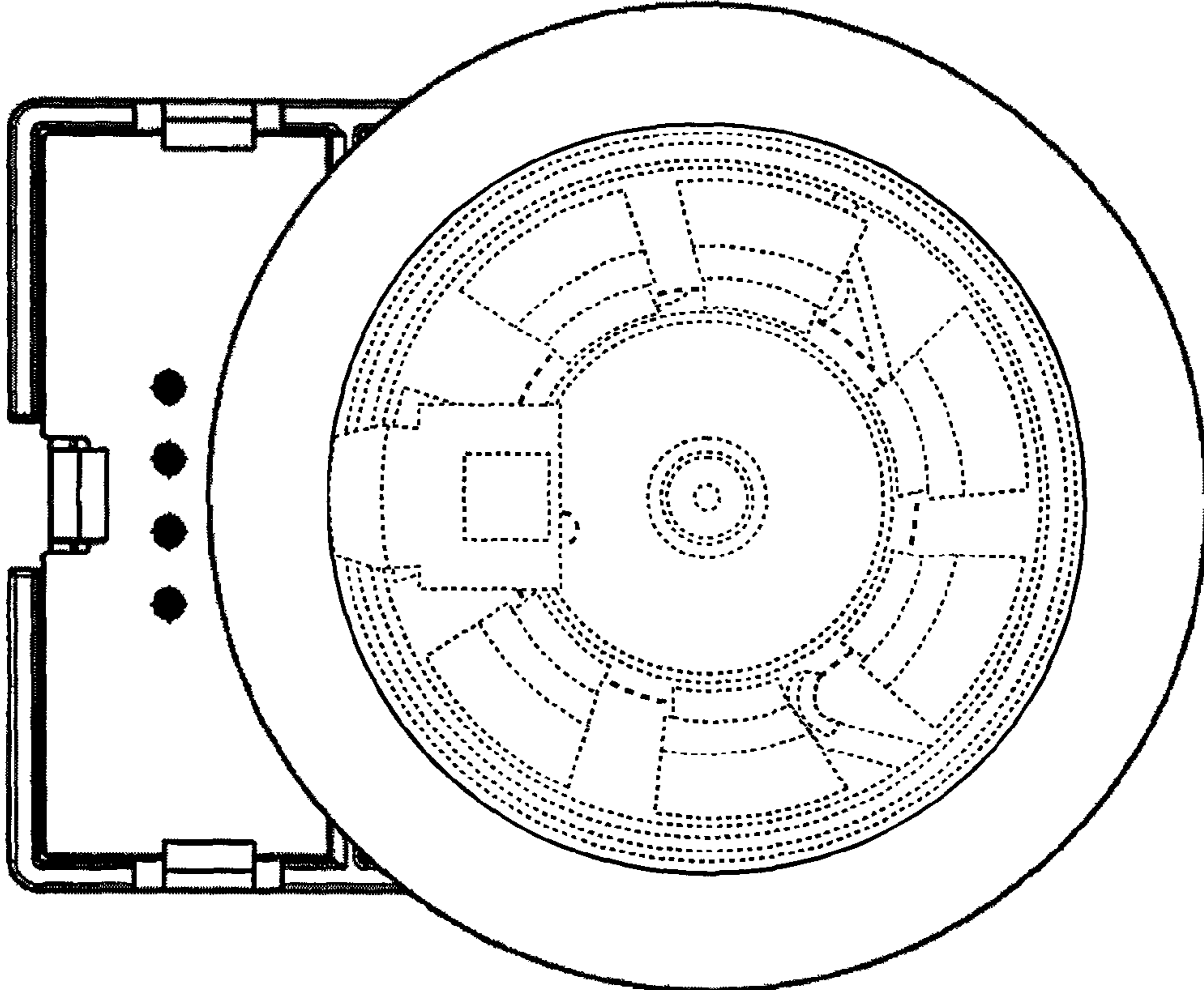


Fig. 6

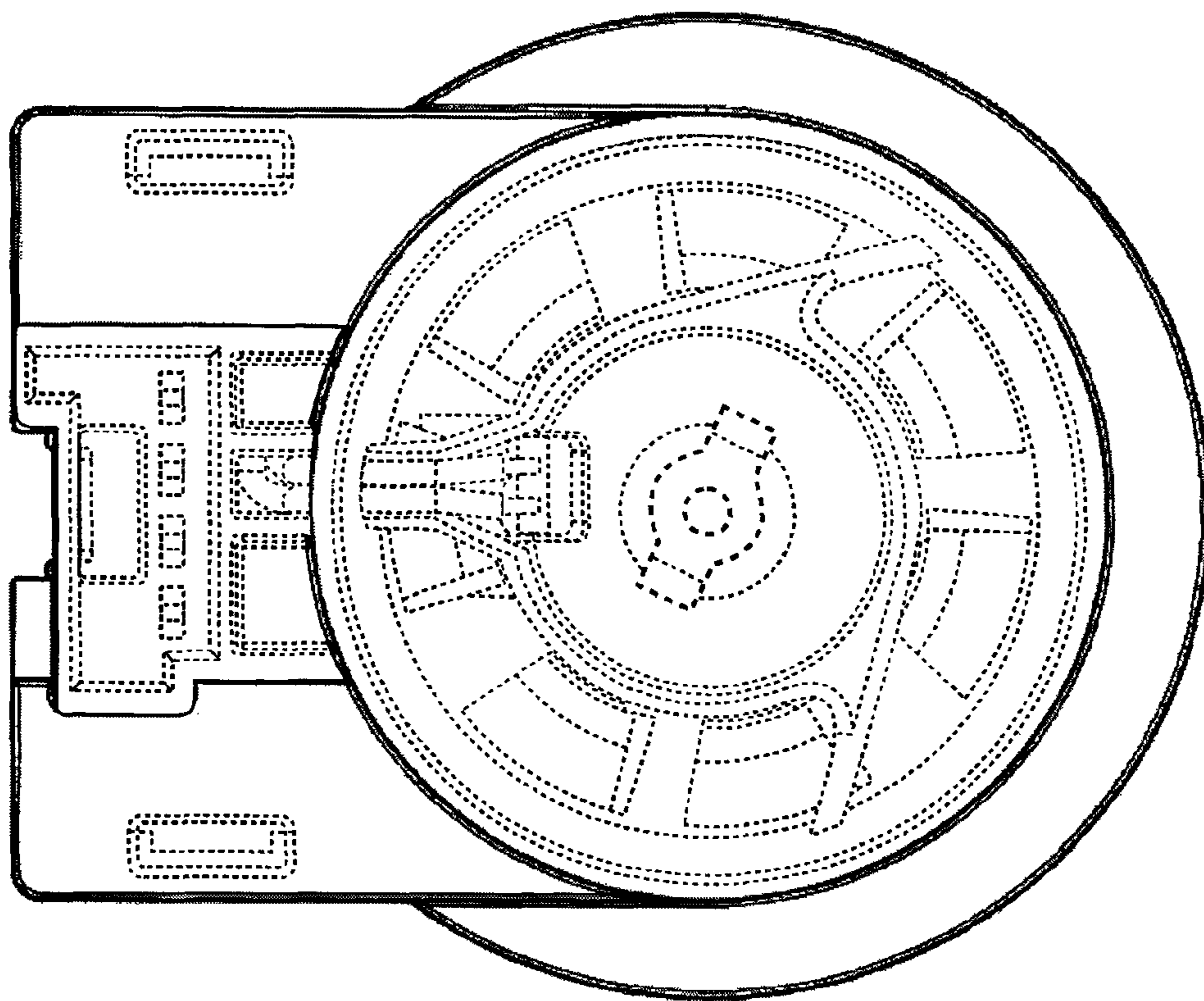


Fig. 7