



US00D703299S

(12) **United States Design Patent**
Choi

(10) **Patent No.:** **US D703,299 S**

(45) **Date of Patent:** **** Apr. 22, 2014**

(54) **BOILER**

(71) Applicant: **Sung-Hwan Choi**, Seoul (KR)

(72) Inventor: **Sung-Hwan Choi**, Seoul (KR)

(73) Assignee: **Kiturami Co., Ltd.**, Kyoungsangbuk-Do (KR)

(**) Term: **14 Years**

(21) Appl. No.: **29/458,860**

(22) Filed: **Jun. 24, 2013**

(51) **LOC (10) Cl.** **23-03**

(52) **U.S. Cl.**
USPC **D23/319**

(58) **Field of Classification Search**
USPC D23/314, 332, 335-355, 378, 370, 381,
D23/386, 333, 328, 361, 385, 417, 357, 334,
D23/359, 362, 366, 322, 319, 318; 392/365,
392/367, 424, 383, 411, 360, 369,
392/373-376; 126/183, 110 B, 91 A, 92 A,
126/500, 544, 547

See application file for complete search history.

(56) **References Cited**

U.S. PATENT DOCUMENTS

D486,897 S * 2/2004 Rolph et al. D23/319

D636,857 S * 4/2011 Jacques et al. D23/320
D687,134 S * 7/2013 Lee D23/320
2012/0079995 A1* 4/2012 Jacques et al. 122/19.2

* cited by examiner

Primary Examiner — T. Chase Nelson

Assistant Examiner — Ania Aman

(74) *Attorney, Agent, or Firm* — IPLA P.A.; James E. Bame

(57) **CLAIM**

The ornamental design for a boiler, as shown and described.

DESCRIPTION

FIG. 1 is a perspective view of a boiler according to my new design;
FIG. 2 is a front elevational view thereof;
FIG. 3 is a left side elevational view thereof;
FIG. 4 is a right side elevational view thereof;
FIG. 5 is a top plan view thereof; and,
FIG. 6 is a bottom plan view thereof.
In the drawings, the broken lines depict unclaimed subject matter only and form no part of the claimed design.

1 Claim, 5 Drawing Sheets

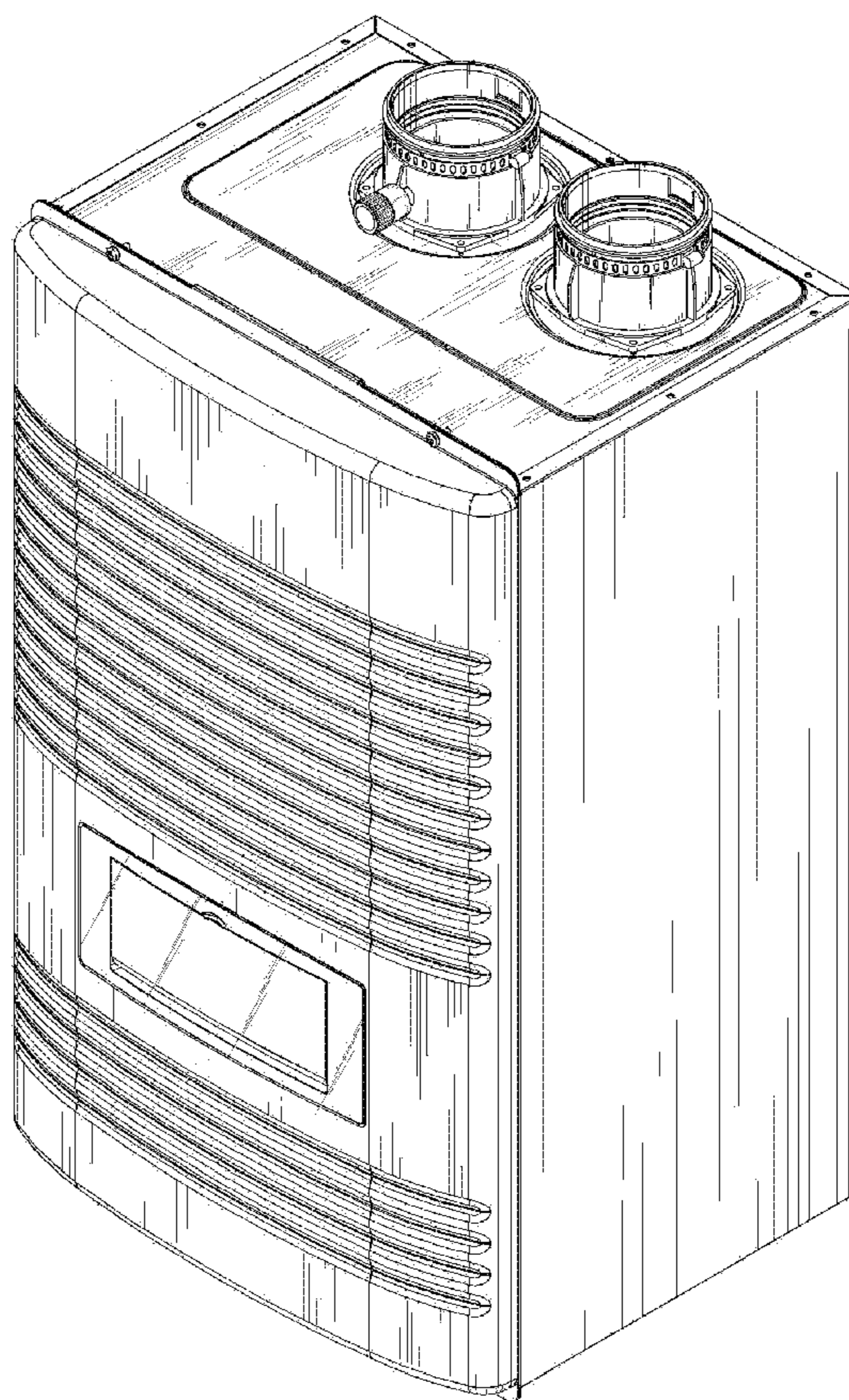


FIG. 1

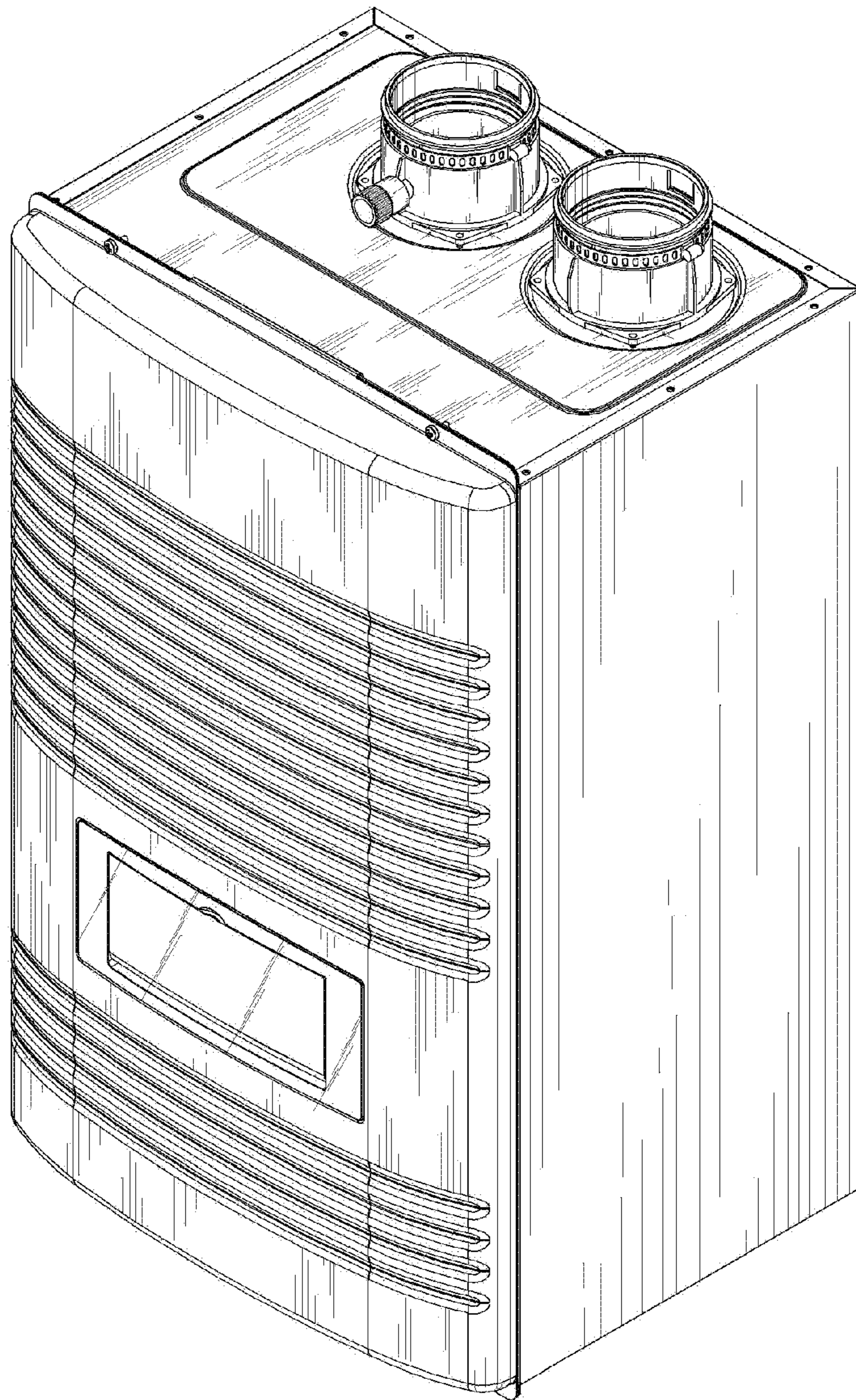


FIG. 2

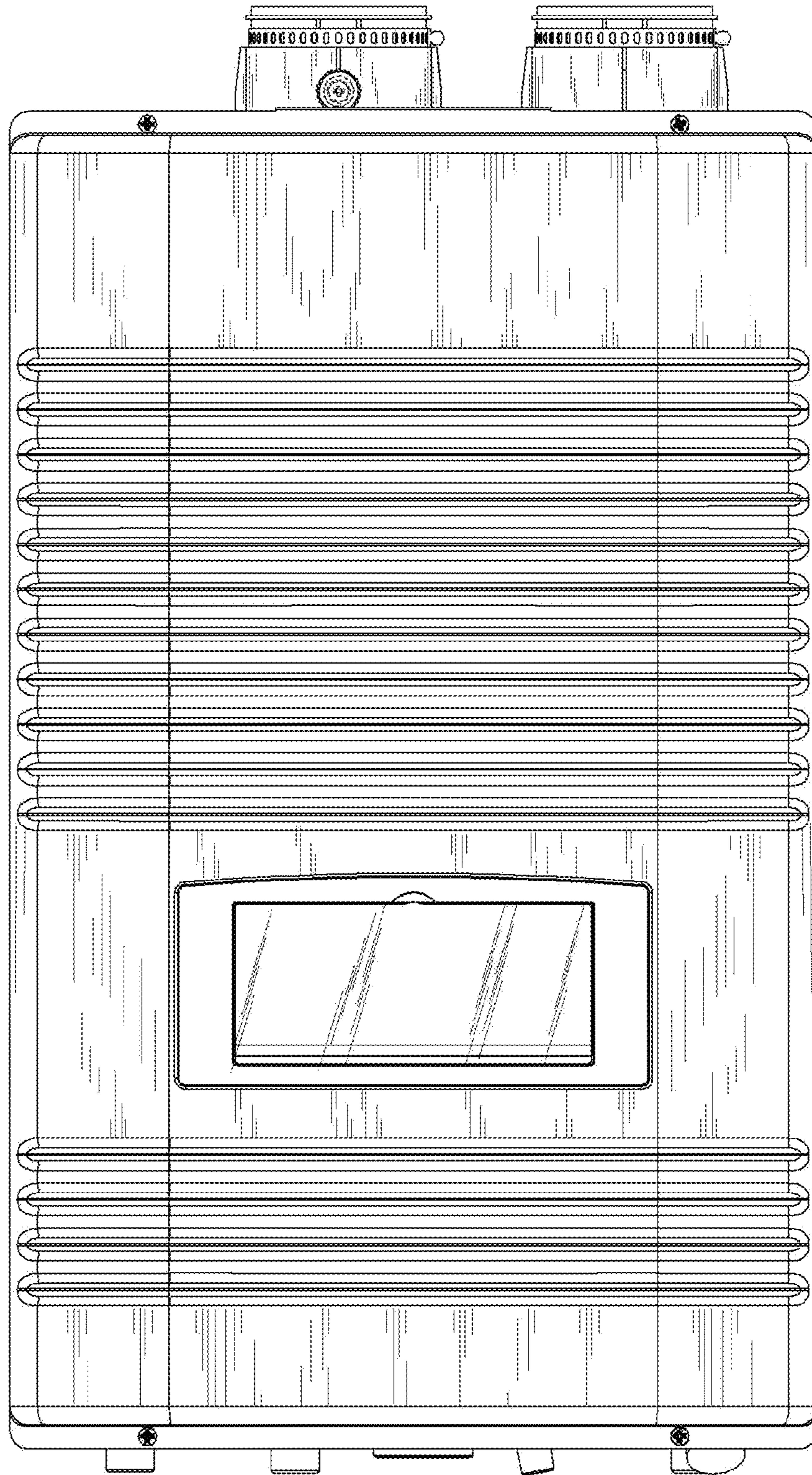


FIG. 3

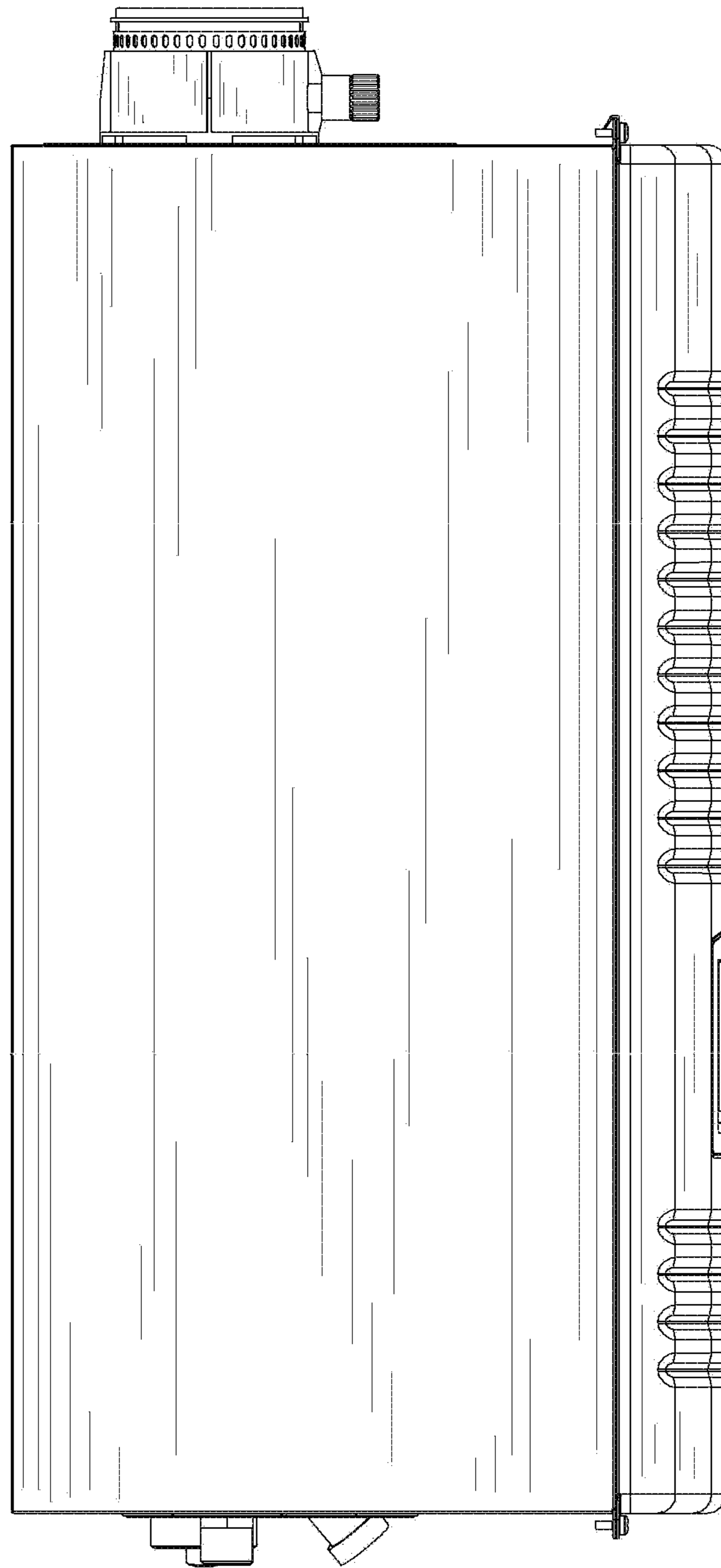


FIG. 4

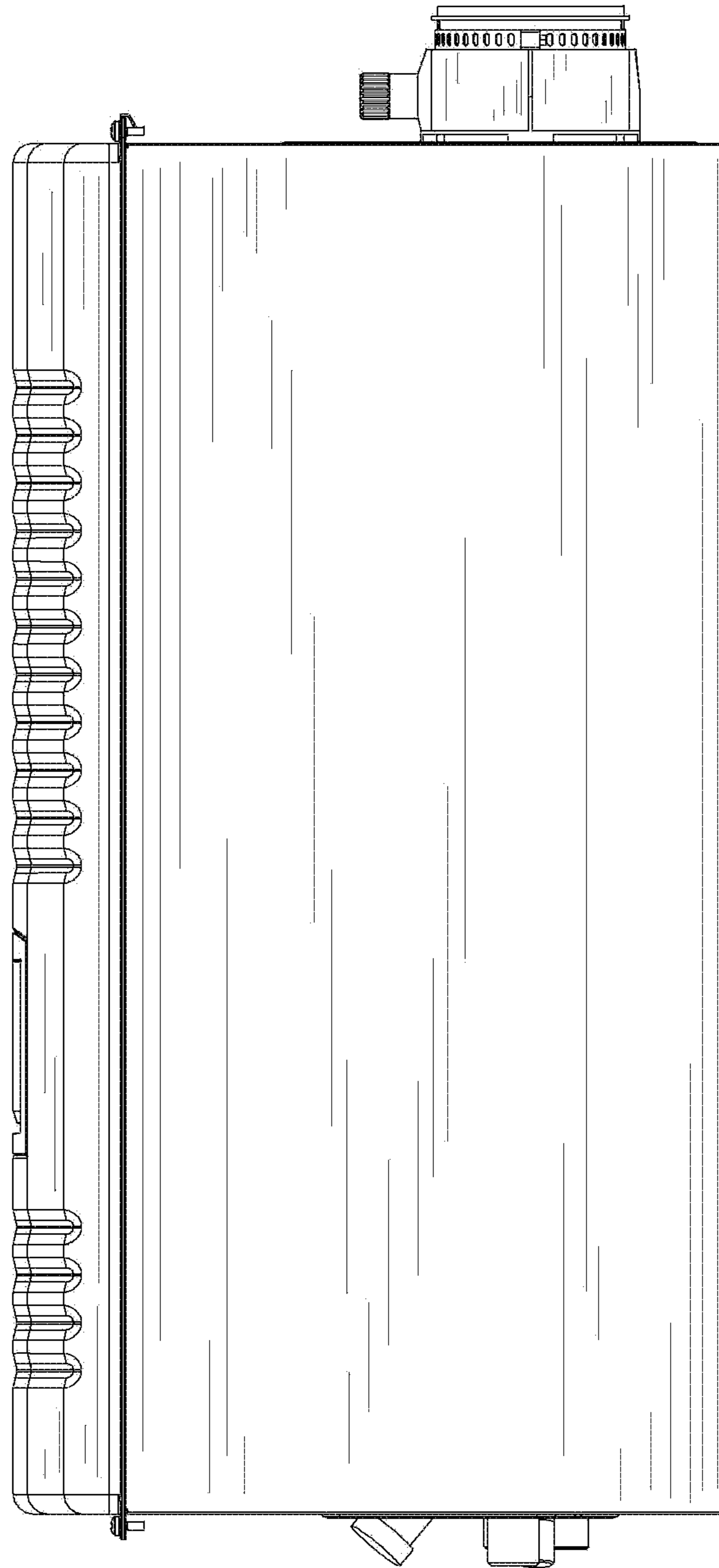


FIG. 5

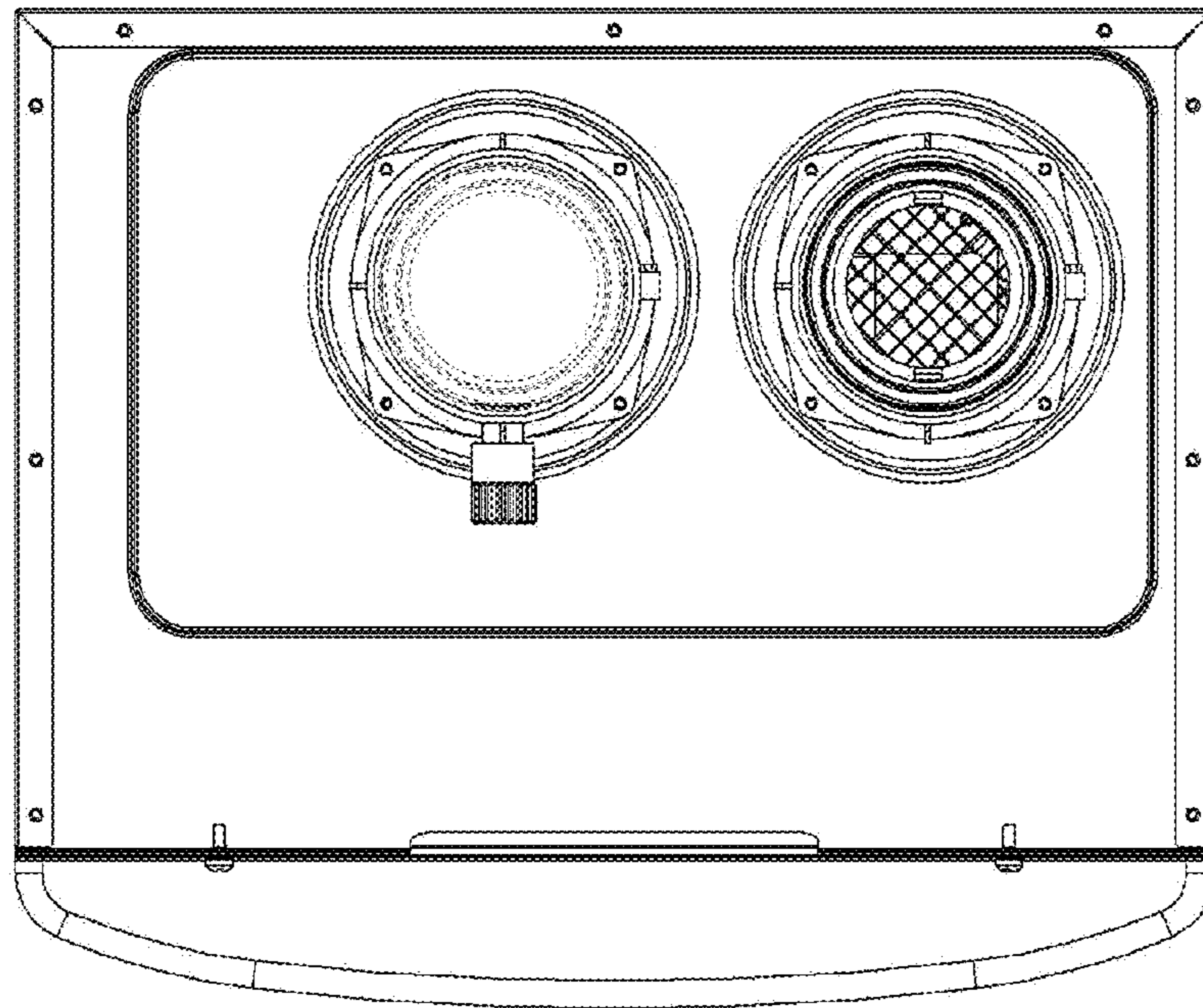


FIG. 6

