



US00D703298S

(12) **United States Design Patent**  
**Zidan**

(10) **Patent No.:** **US D703,298 S**

(45) **Date of Patent:** **\*\* Apr. 22, 2014**

(54) **TOILET**

(71) Applicant: **Eyad I Zidan**, Allen, TX (US)

(72) Inventor: **Eyad I Zidan**, Allen, TX (US)

(73) Assignee: **The Interior Gallery**, Allen, TX (US)

(\*\*) Term: **14 Years**

(21) Appl. No.: **29/457,925**

(22) Filed: **Jun. 13, 2013**

(51) **LOC (10) Cl.** ..... **23-02**

(52) **U.S. Cl.**  
USPC ..... **D23/301**

(58) **Field of Classification Search**  
USPC ..... D23/295, 301, 303, 309, 313; 4/300,  
4/353, 420

See application file for complete search history.

(56) **References Cited**

U.S. PATENT DOCUMENTS

D261,799 S *	11/1981	Alger .....	D23/301
D385,021 S *	10/1997	White .....	D23/299
D594,944 S *	6/2009	Starck .....	D23/301
D654,993 S *	2/2012	Ando et al. ....	D23/301

\* cited by examiner

*Primary Examiner* — Robert Delehanty

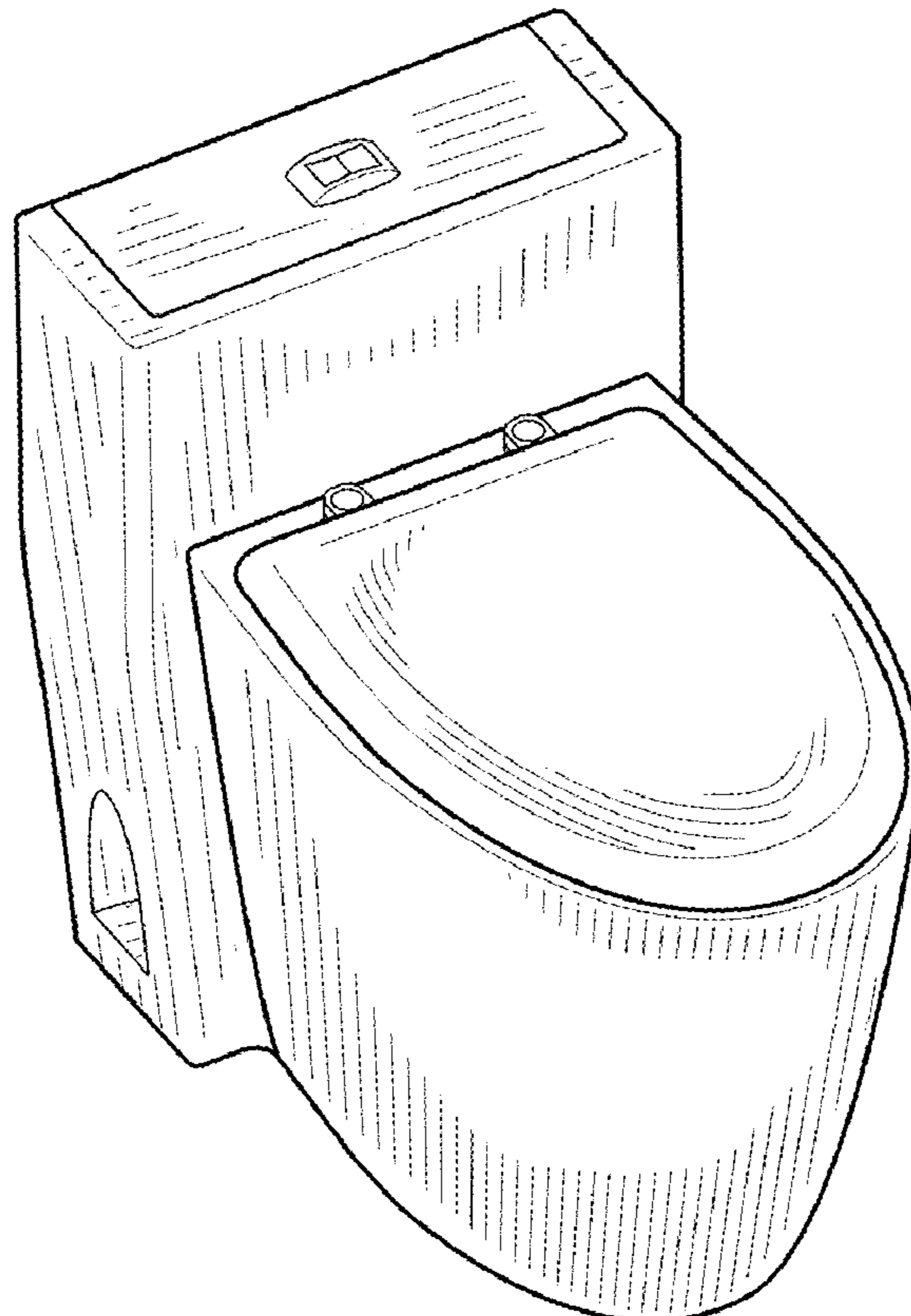
(57) **CLAIM**

The ornamental design for a toilet, as shown and described.

**DESCRIPTION**

FIG. 1 is a perspective front view of the toilet with lid closed; FIG. 2 is a perspective front view of the toilet with lid open; FIG. 3 is a front elevation view of the toilet; FIG. 4 is a rear elevation view of the toilet; FIG. 5 is a left side elevation view of the toilet; the right side view being a mirror image thereof; FIG. 6 is a top elevation view of the toilet; and, FIG. 7 is a bottom elevation view of the toilet. The toilet seat is shown in broken lines for illustrative purposes only and forms no part of the claimed design.

**1 Claim, 3 Drawing Sheets**



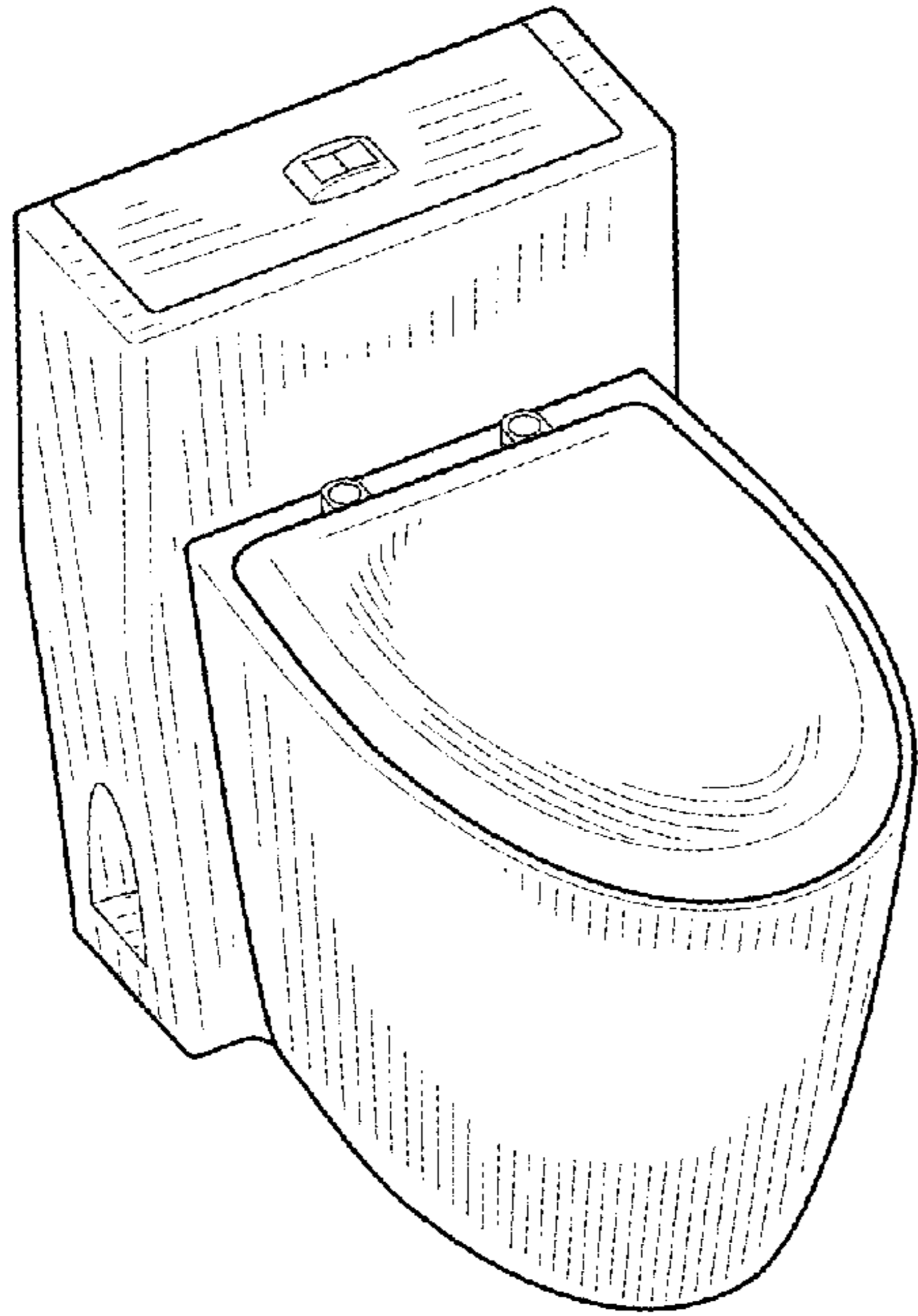


FIG. 1

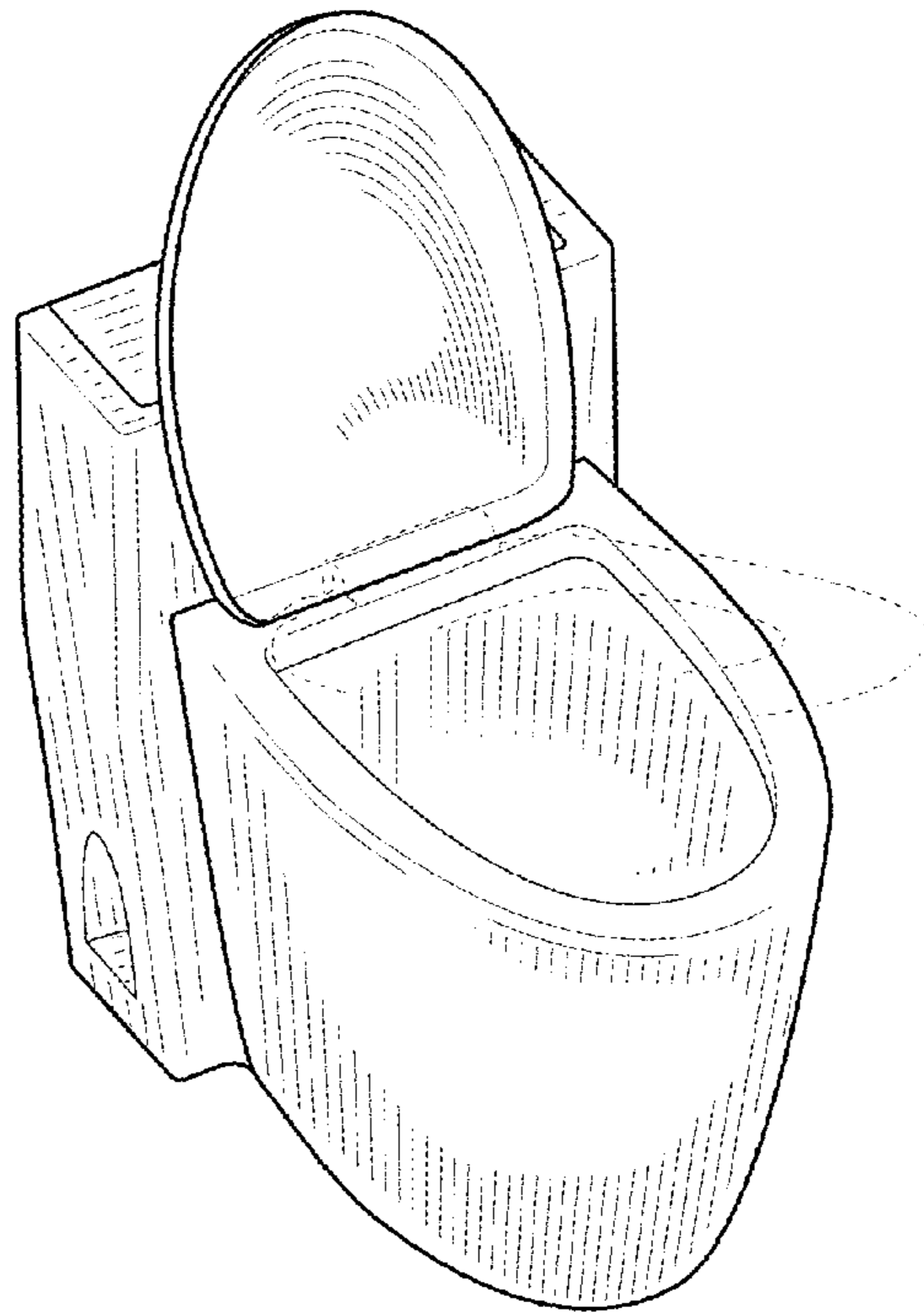


FIG. 2

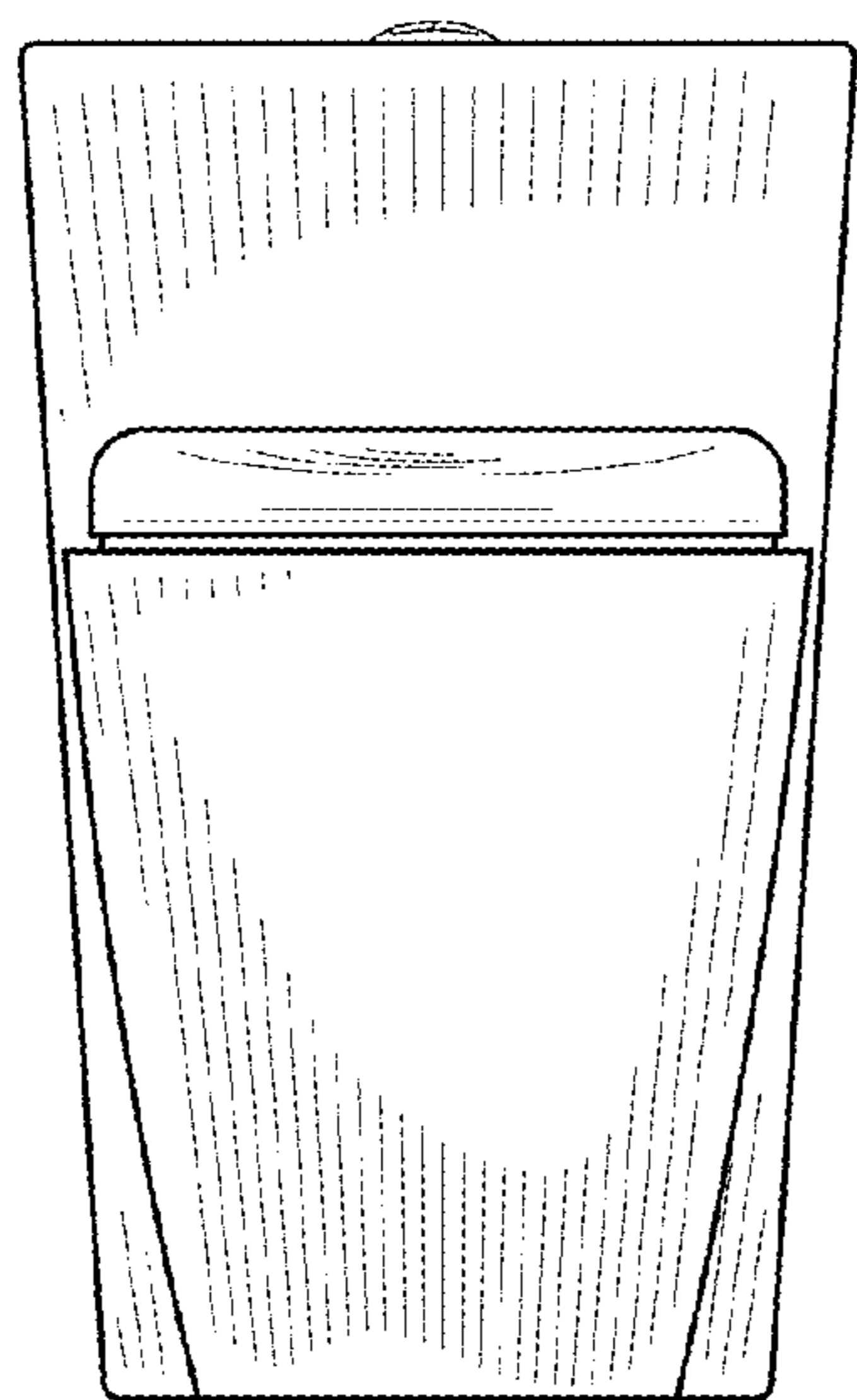


FIG. 3

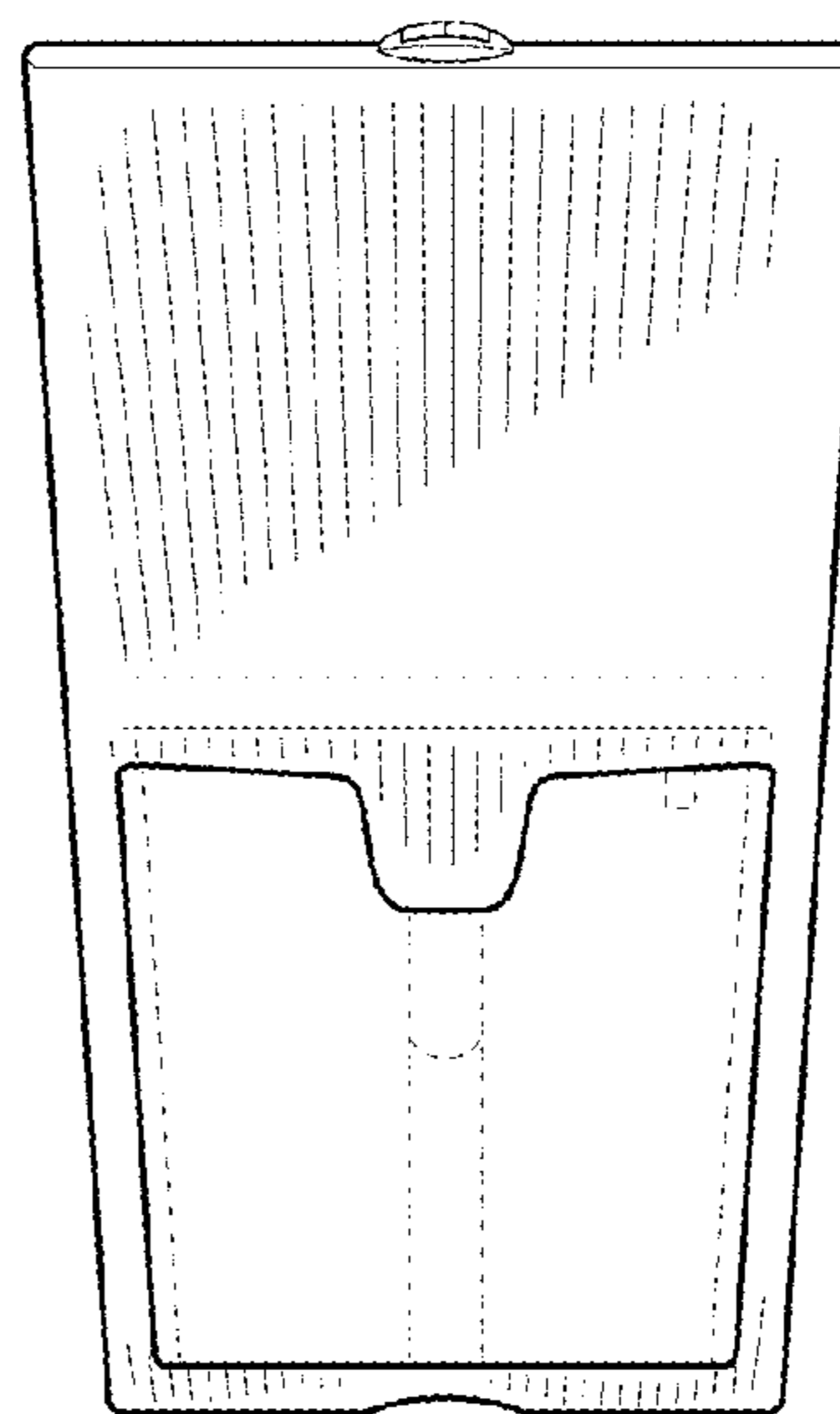


FIG. 4

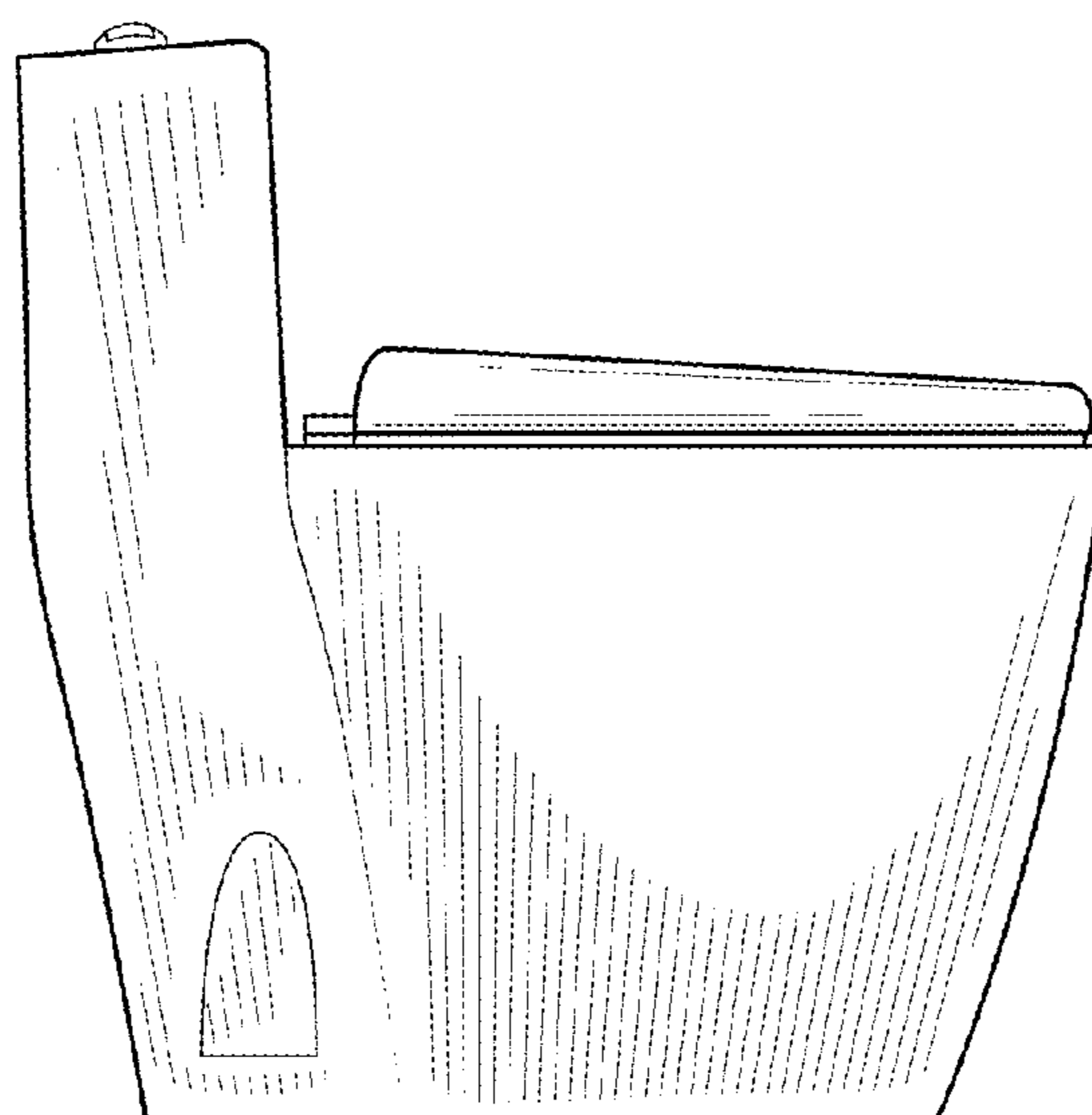


FIG. 5

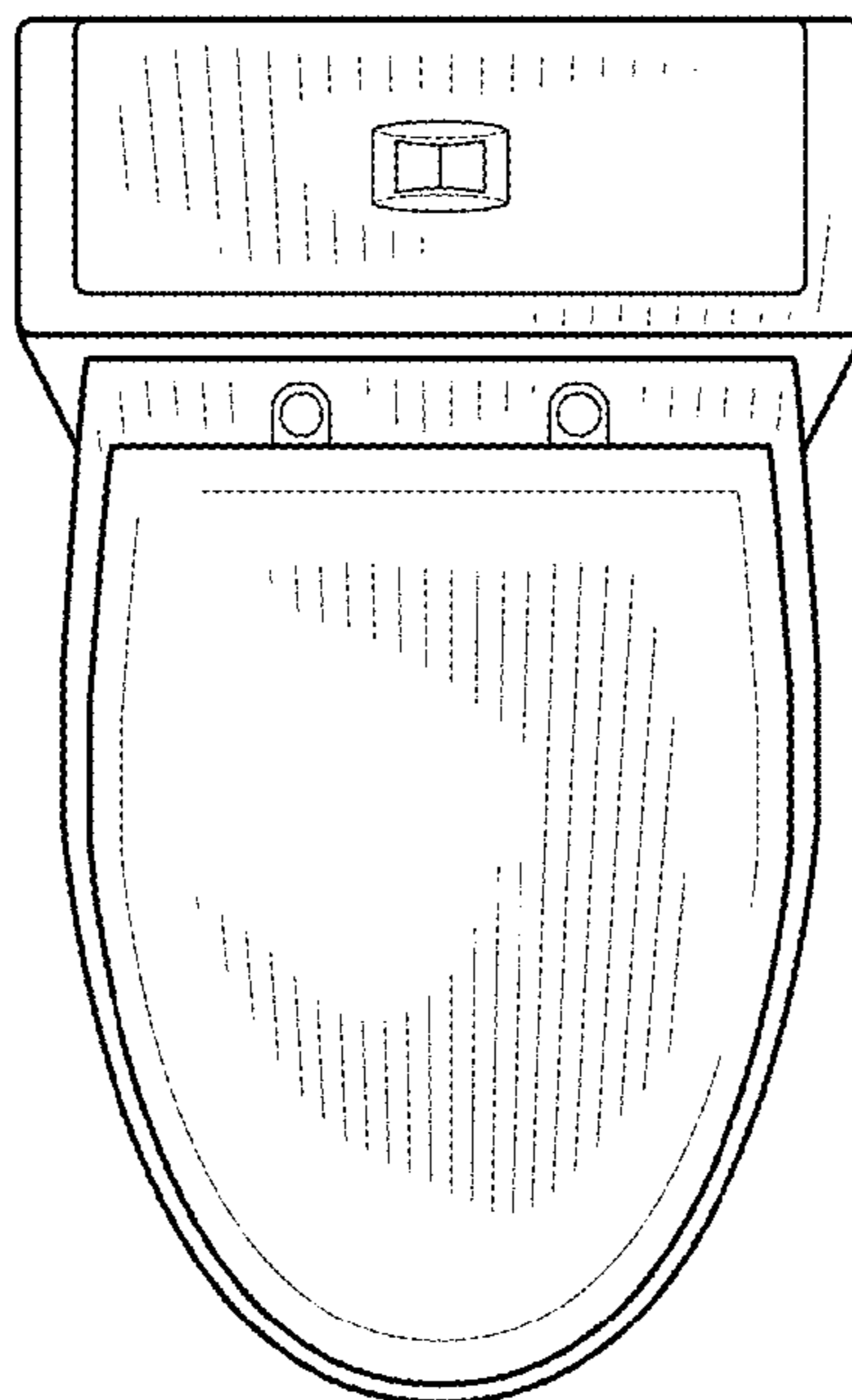


FIG. 6

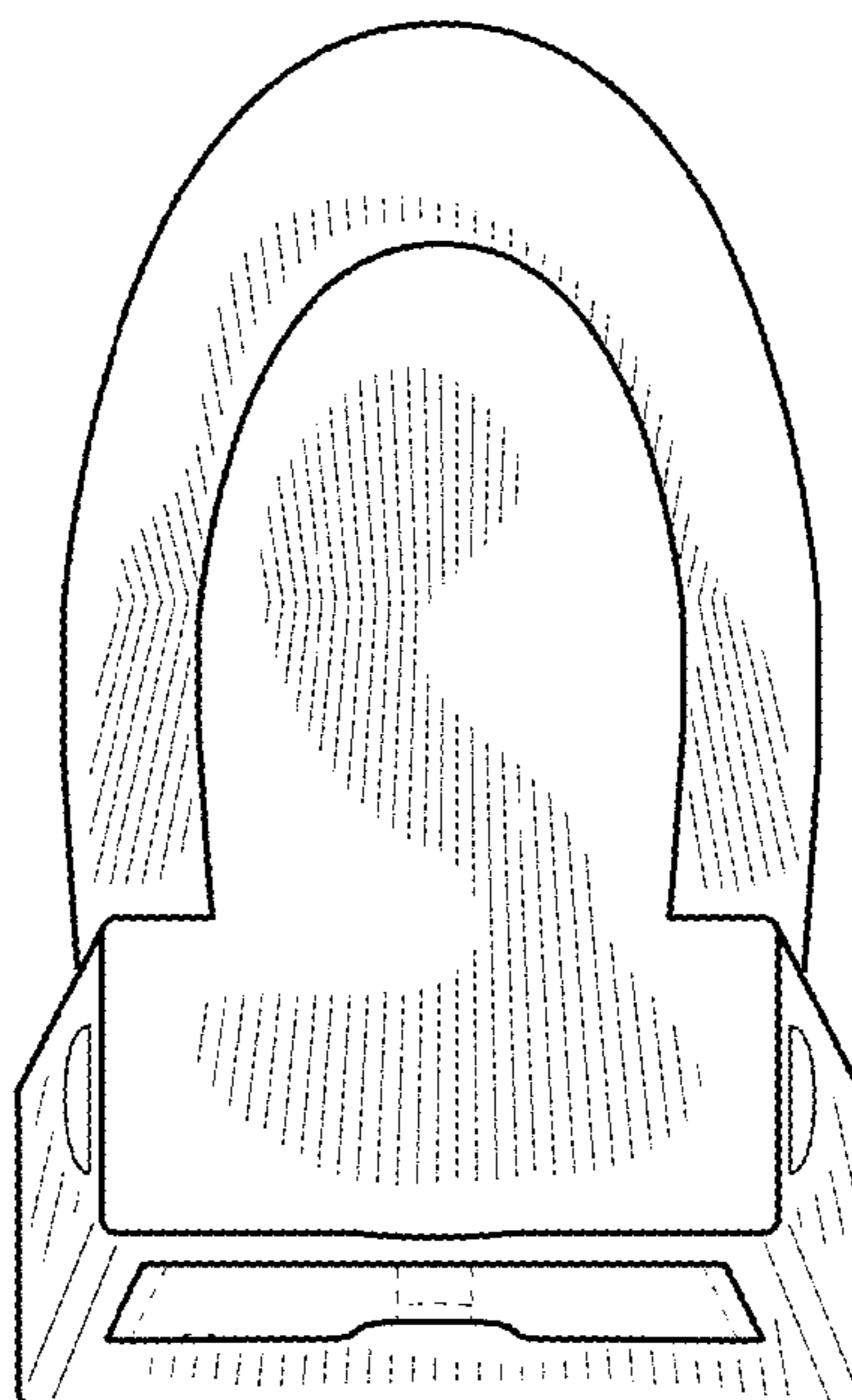


FIG. 7