



US00D703297S

(12) **United States Design Patent**  
**Brodey et al.**

(10) **Patent No.:** **US D703,297 S**

(45) **Date of Patent:** **\*\* Apr. 22, 2014**

(54) **SINK TRAP**

(71) Applicant: **Durst Corporation, Inc.**, Cranford, NJ  
(US)

(72) Inventors: **Lawrence B. Brodey**, South Orange, NJ  
(US); **Christopher Pike**, Princeton, NJ  
(US)

(73) Assignee: **Durst Corporation, Inc.**, Cranford, NJ  
(US)

(\*\*) Term: **14 Years**

(21) Appl. No.: **29/450,707**

(22) Filed: **Mar. 21, 2013**

(51) **LOC (10) Cl.** ..... **23-01**

(52) **U.S. Cl.**  
USPC ..... **D23/268**

(58) **Field of Classification Search**  
USPC ..... D23/267–268; 210/170, 170.01,  
210/170.03, 162–166, 474; 404/4–5  
See application file for complete search history.

(56) **References Cited**

**U.S. PATENT DOCUMENTS**

4,032,455	A	*	6/1977	Kale	.....	210/435
D354,552	S	*	1/1995	Weber	.....	D23/261
D461,234	S	*	8/2002	Hanna	.....	D23/268
D501,533	S	*	2/2005	Robinson et al.	.....	D23/209
D553,226	S	*	10/2007	Wisek	.....	D23/268

D673,244 S \* 12/2012 Magargal et al. .... D23/260

\* cited by examiner

*Primary Examiner* — Eric Goodman

(74) *Attorney, Agent, or Firm* — McCarter & English, LLP

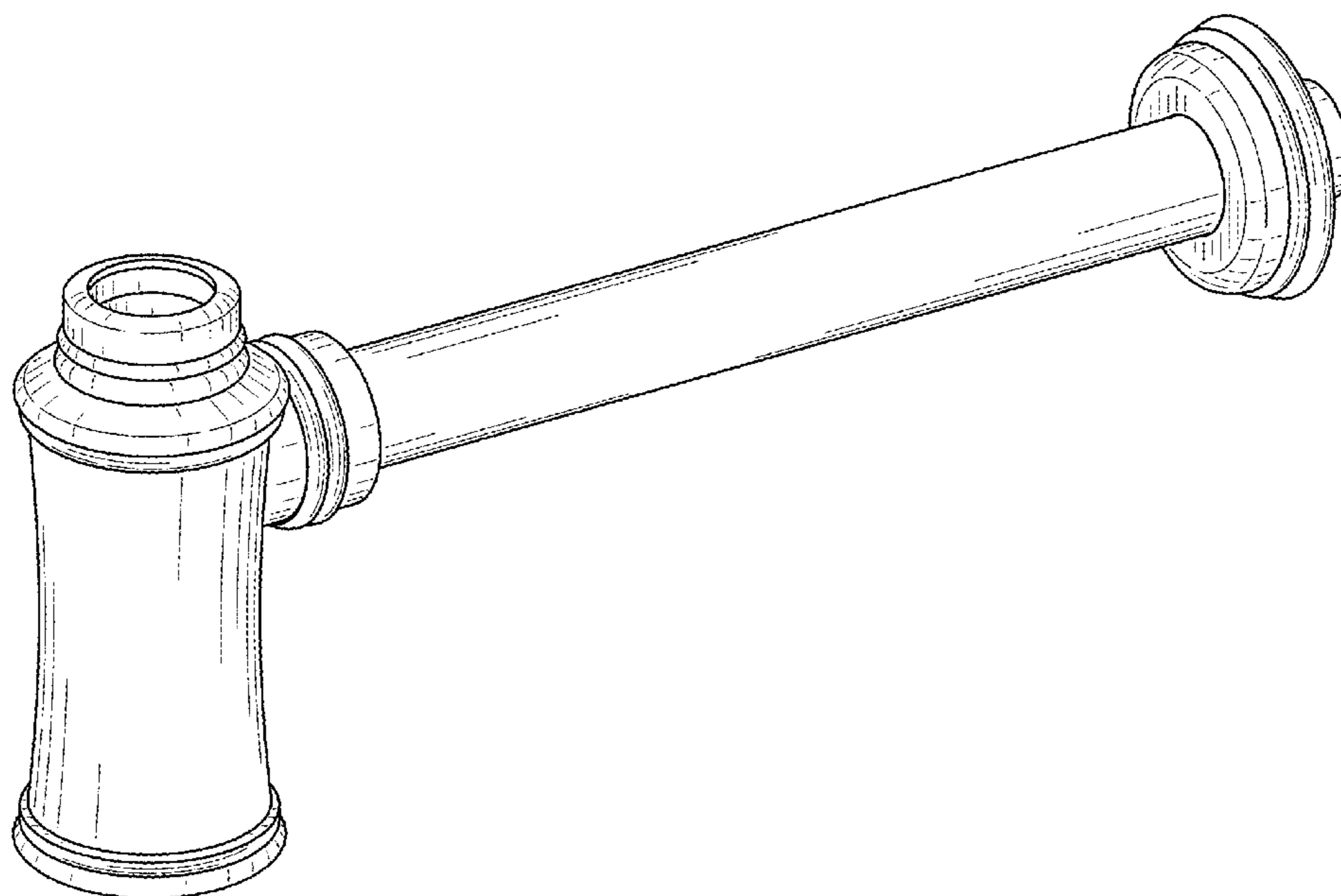
(57) **CLAIM**

What is claimed is an ornamental design for a sink trap, as shown and described.

**DESCRIPTION**

FIG. 1 is a perspective view of an ornamental design for a sink trap;  
FIG. 2 is a right side view of the sink trap shown in FIG. 1;  
FIG. 3 is a left side view of the sink trap shown in FIG. 1;  
FIG. 4 is a rear view of the sink trap shown in FIG. 1;  
FIG. 5 is a front view of the sink trap shown in FIG. 1;  
FIG. 6 is a top view of the sink trap shown in FIG. 1;  
FIG. 7 is a bottom view of the sink trap shown in FIG. 1;  
FIG. 8 is a perspective view of another embodiment of the ornamental design for a sink trap;  
FIG. 9 is a right side view of the sink trap shown in FIG. 8;  
FIG. 10 is a left side view of the sink trap shown in FIG. 8;  
FIG. 11 is a rear view of the sink trap shown in FIG. 8;  
FIG. 12 is a front view of the sink trap shown in FIG. 8;  
FIG. 13 is a top view of the sink trap shown in FIG. 8; and  
FIG. 14 is a bottom view of the sink trap shown in FIG. 8.  
The broken lines shown in FIGS. 4 and 11 are for the purpose of illustrating portions of the article and form no part of the claimed design.

**1 Claim, 6 Drawing Sheets**



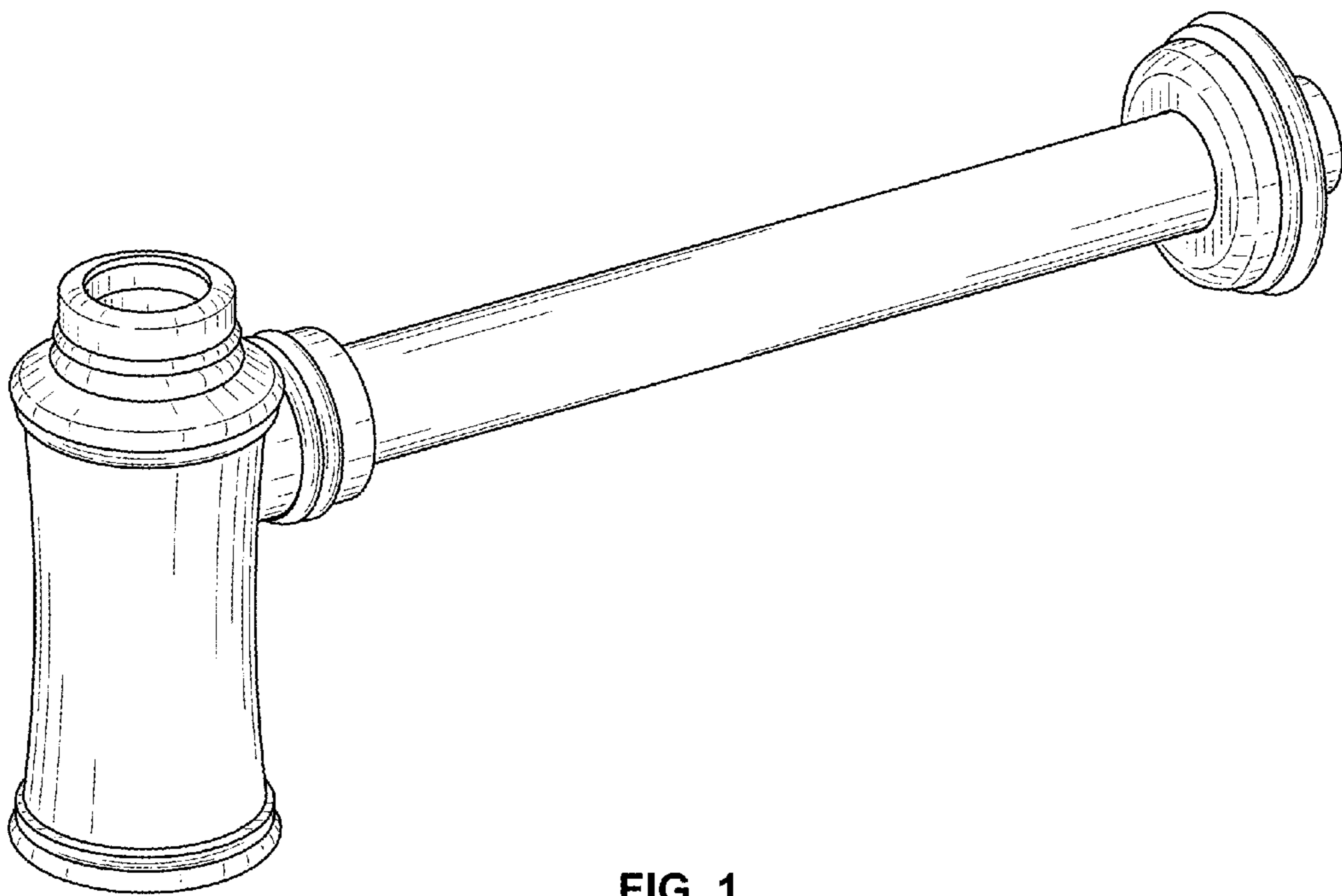


FIG. 1

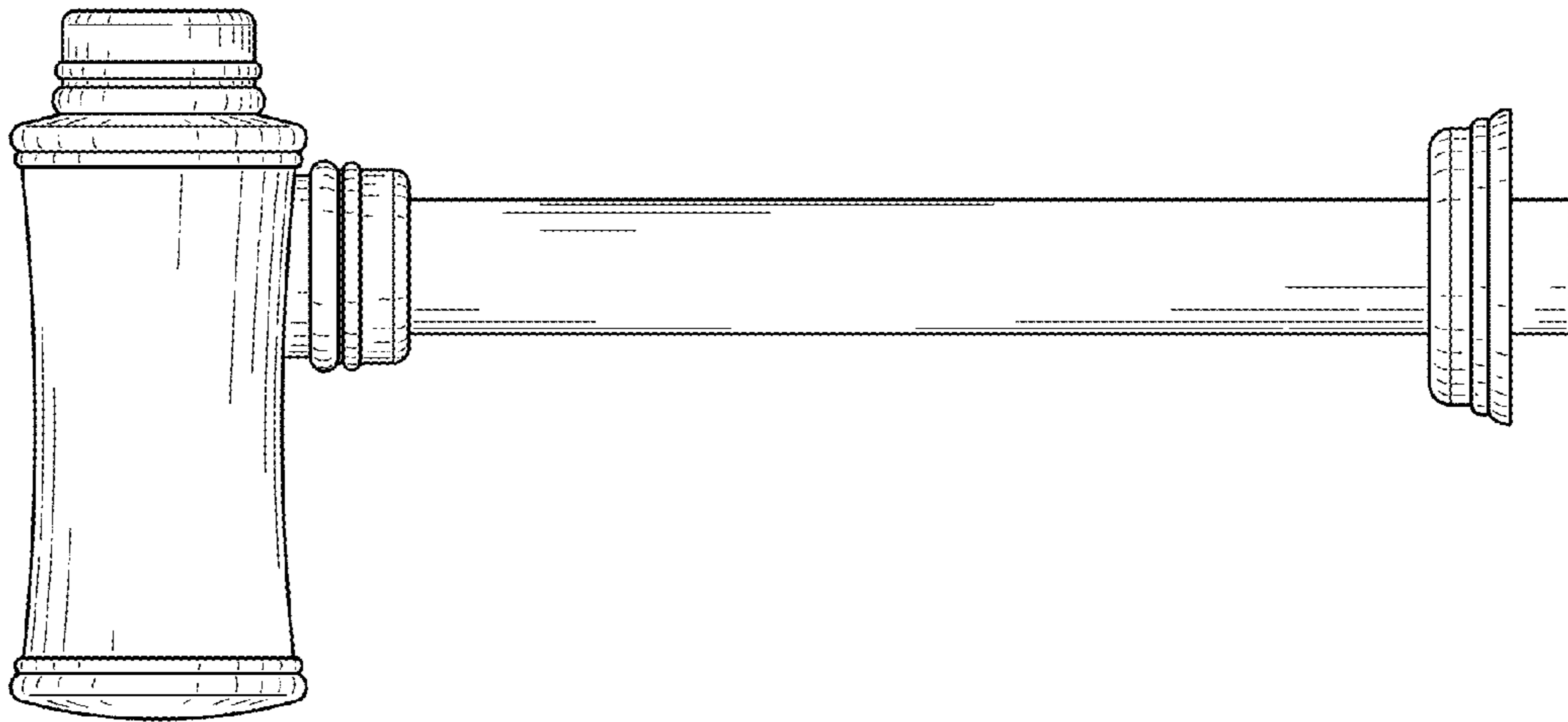


FIG. 2

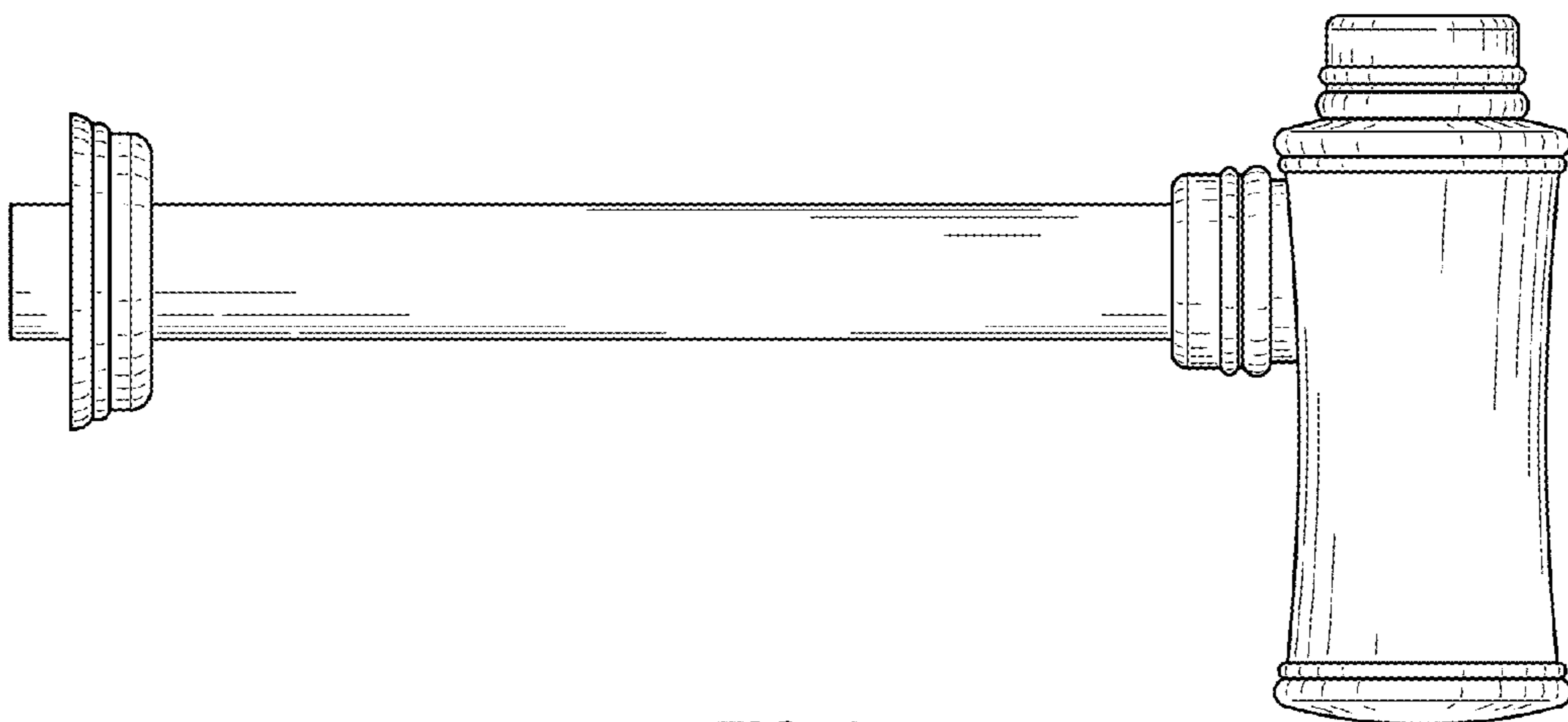


FIG. 3

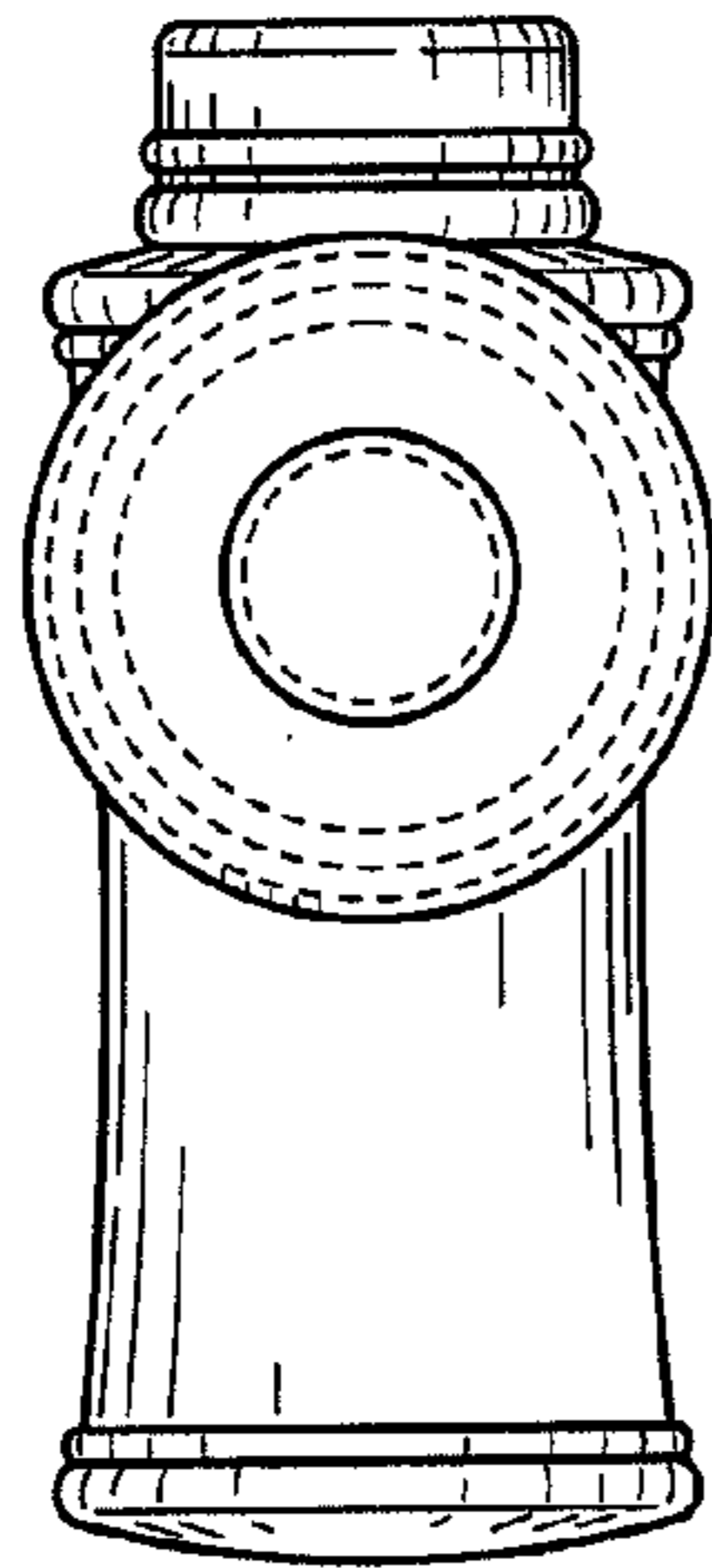


FIG. 4

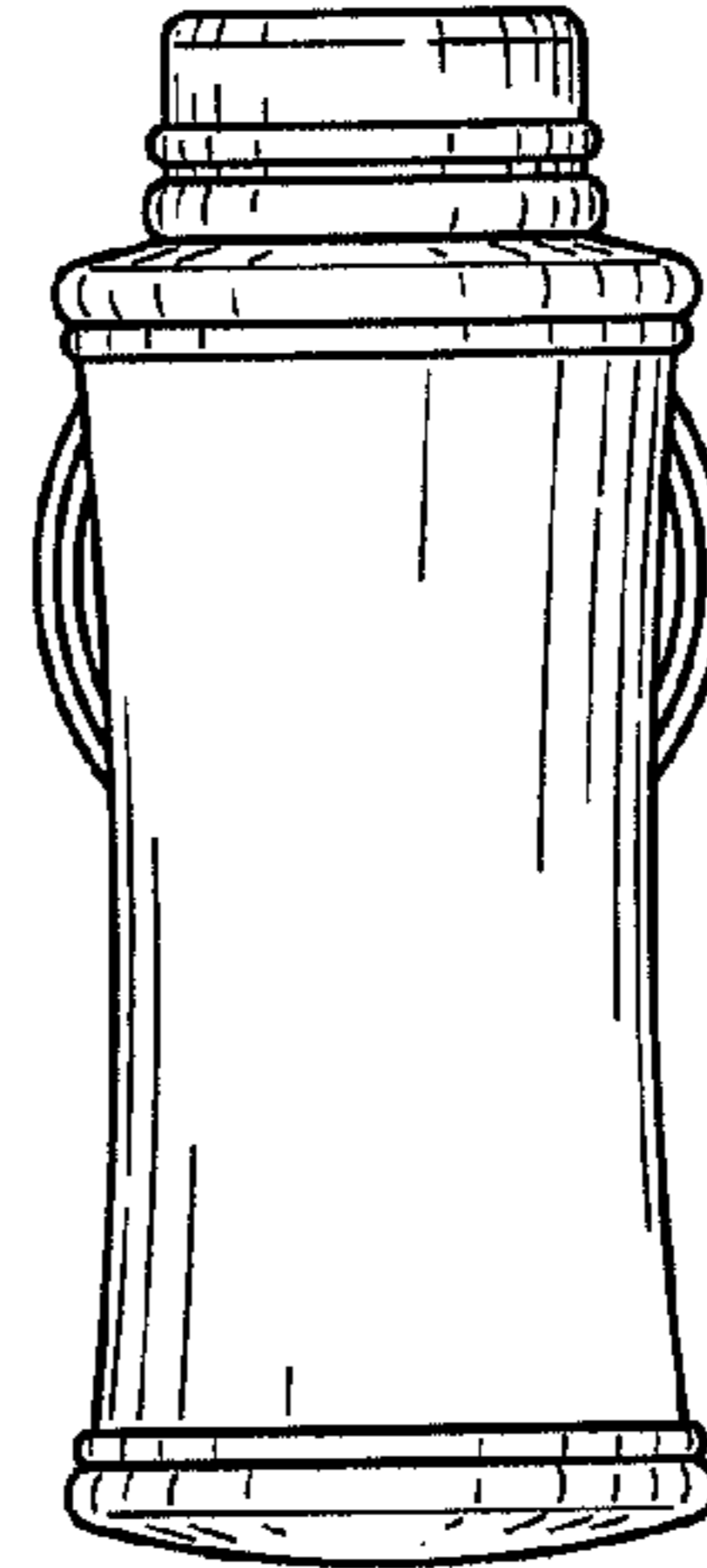


FIG. 5

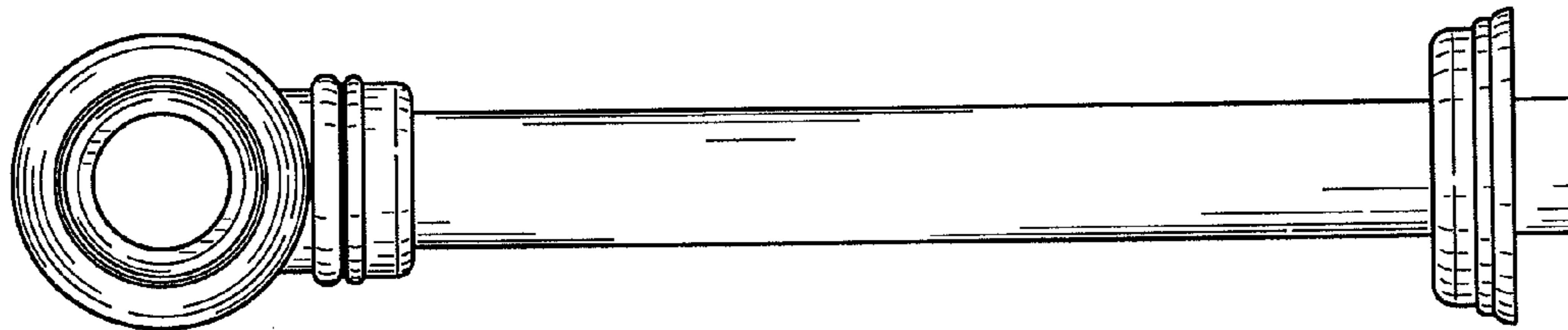


FIG. 6

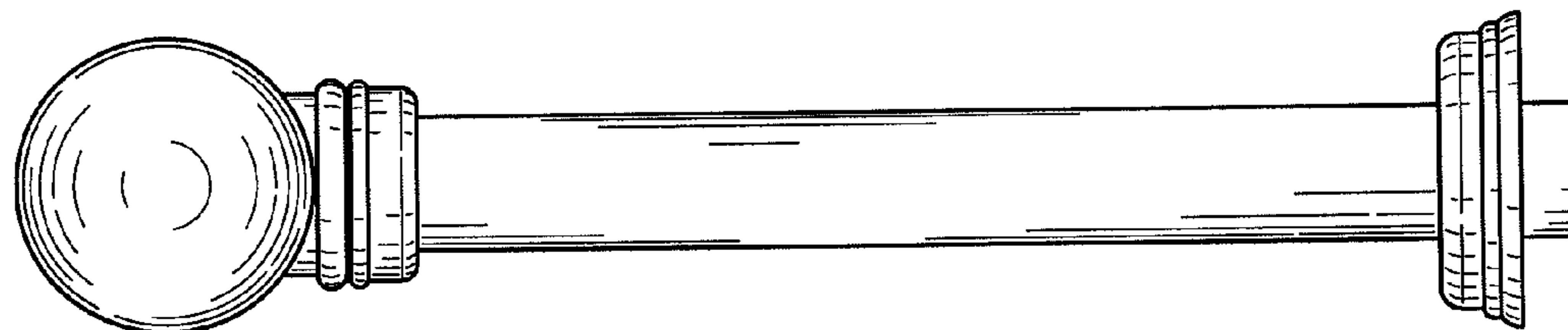


FIG. 7

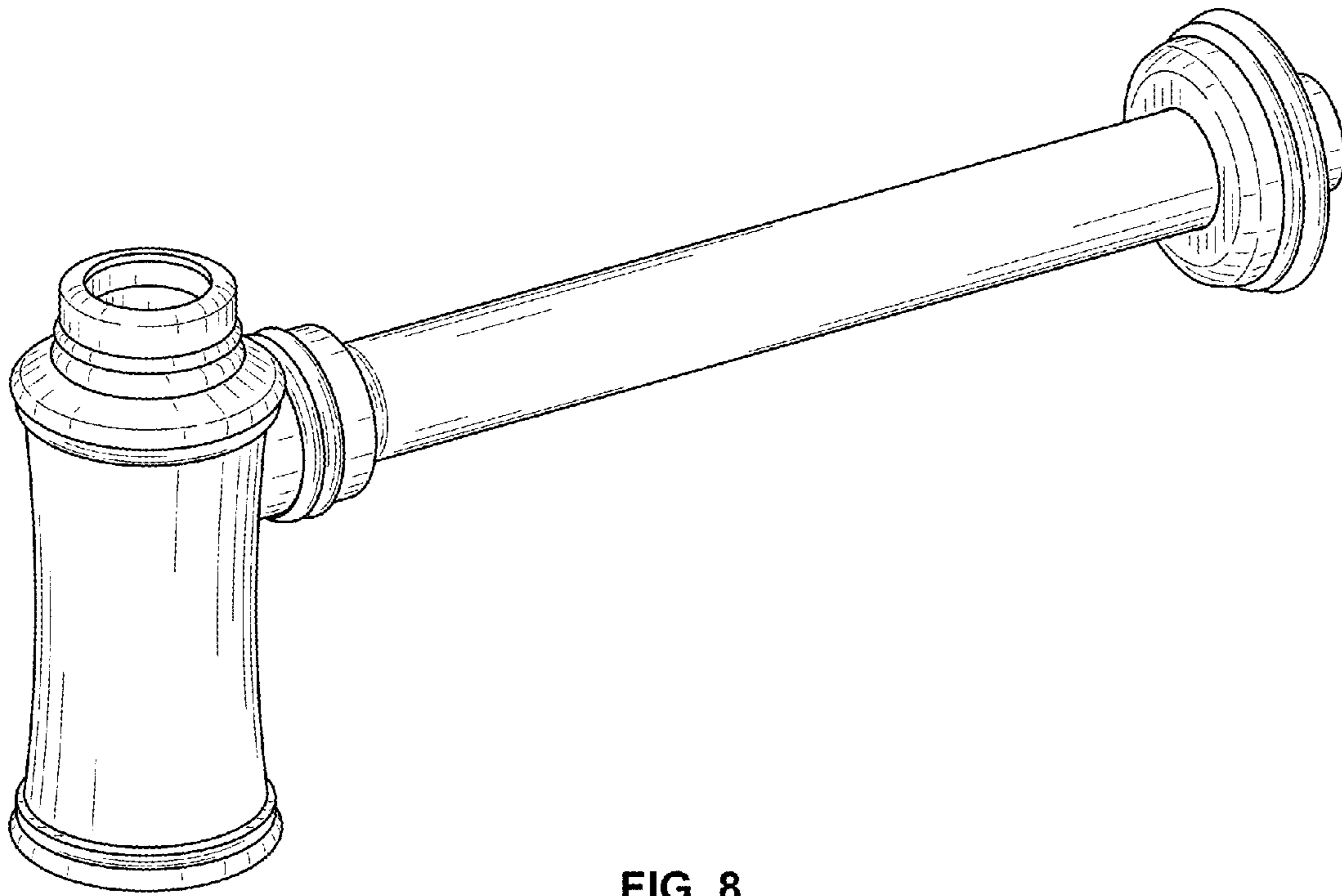


FIG. 8

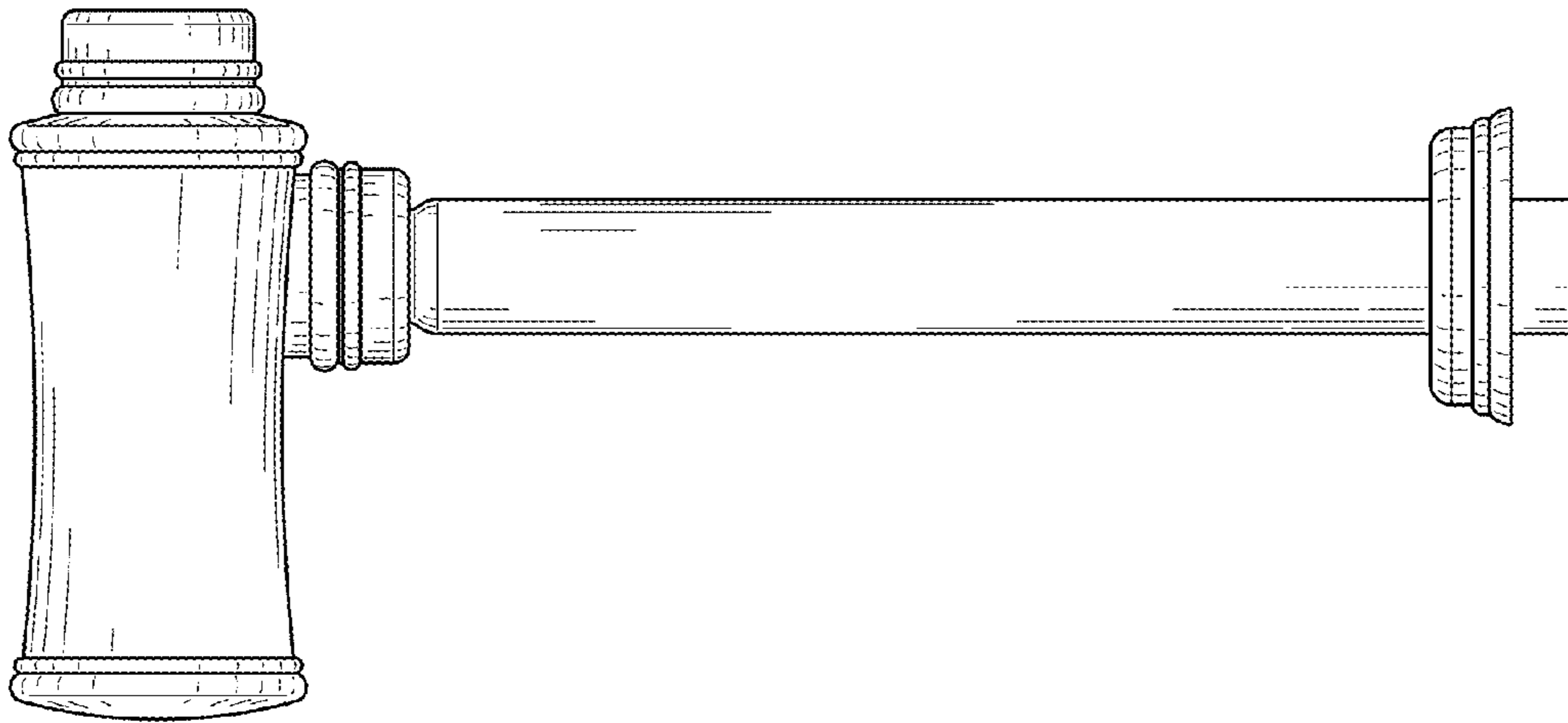


FIG. 9

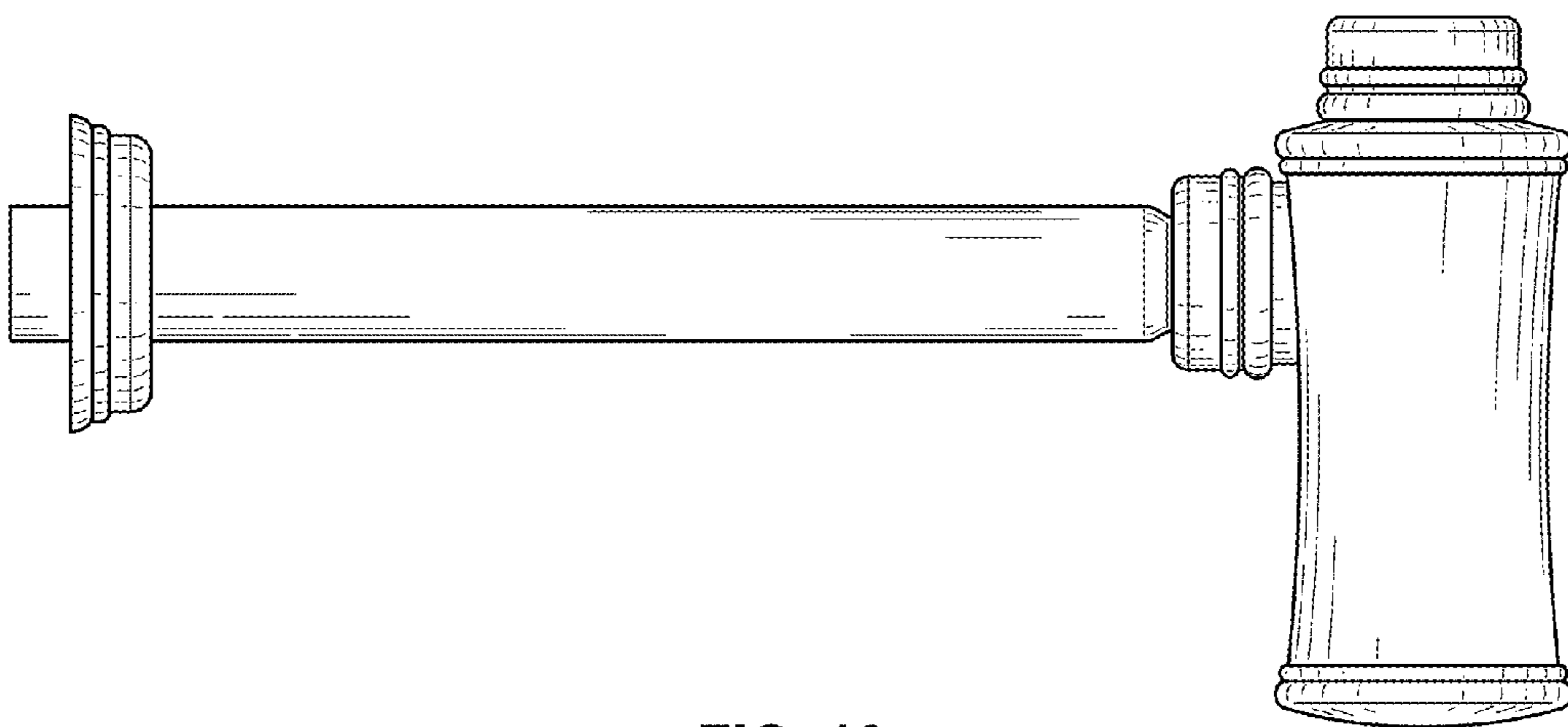


FIG. 10

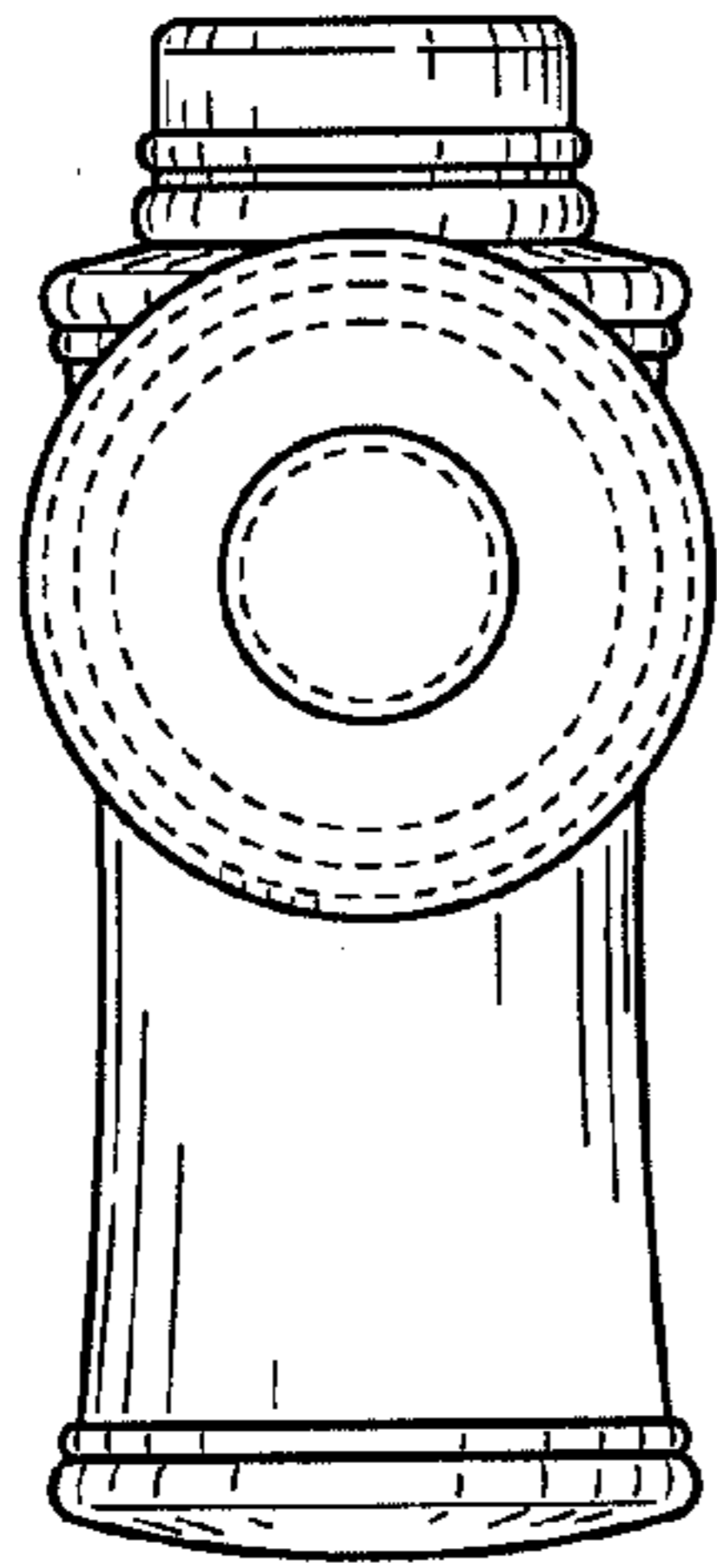


FIG. 11

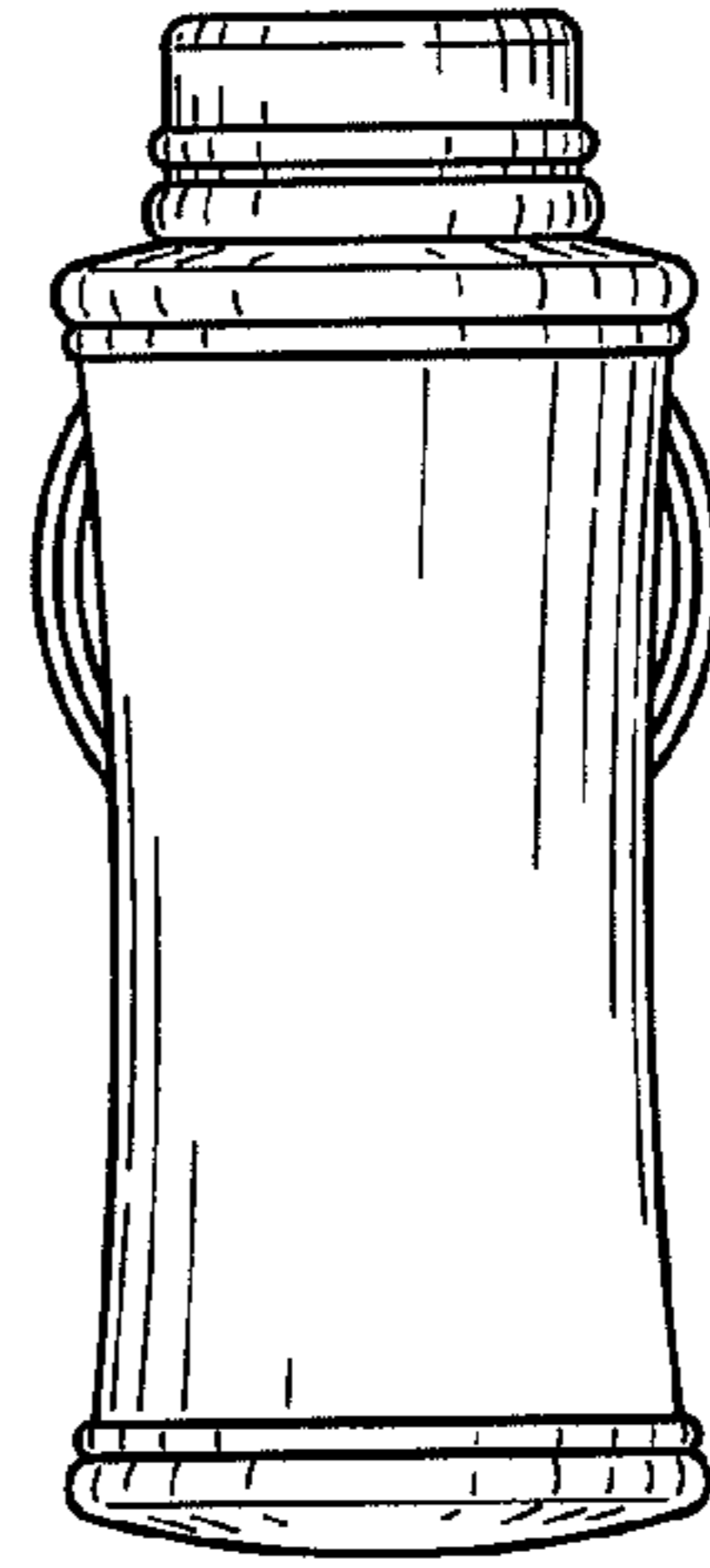


FIG. 12

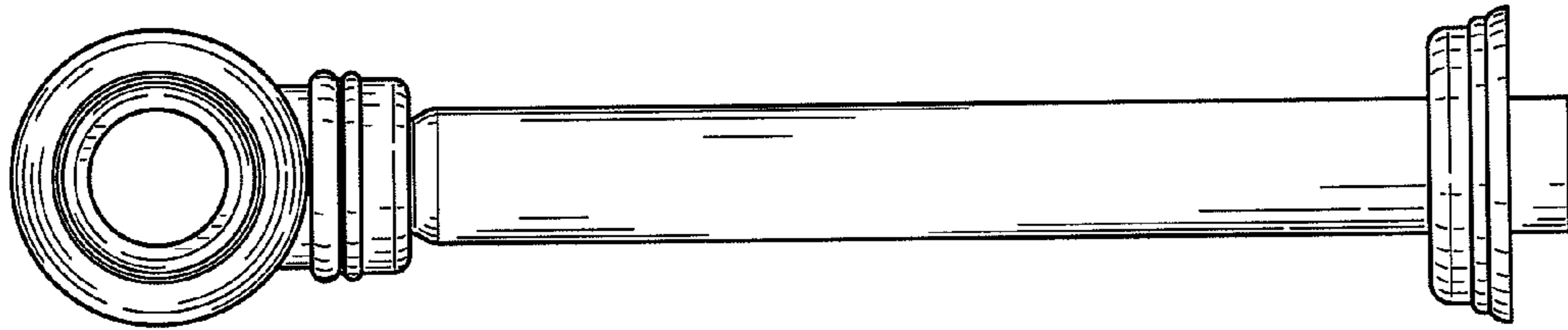


FIG. 13

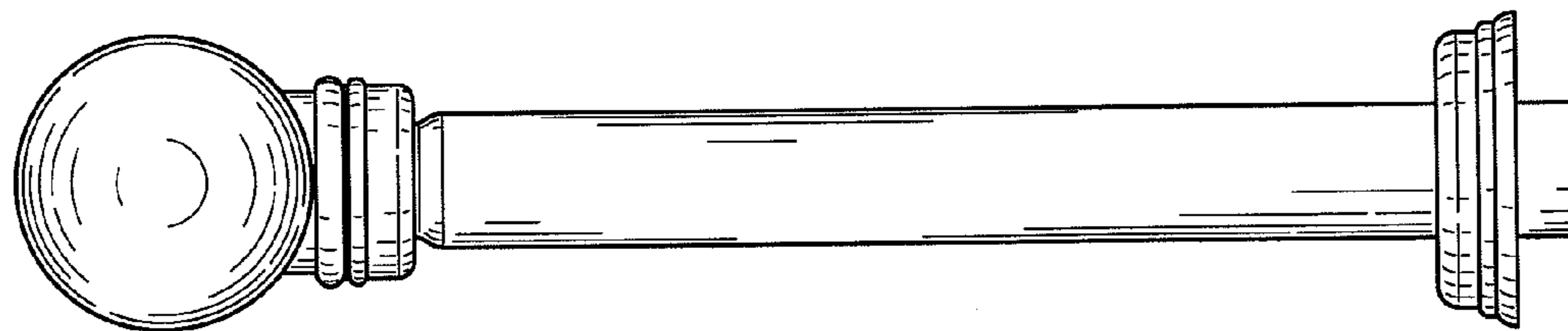


FIG. 14