



US00D703296S

(12) **United States Design Patent**
Conway

(10) **Patent No.:** **US D703,296 S**

(45) **Date of Patent:** **** Apr. 22, 2014**

(54) **VALVE HANDLE**

(71) Applicant: **Scott T. Conway**, Sylvania, OH (US)

(72) Inventor: **Scott T. Conway**, Sylvania, OH (US)

(**) Term: **14 Years**

(21) Appl. No.: **29/421,974**

(22) Filed: **Nov. 2, 2012**

(51) **LOC (10) Cl.** **23-01**

(52) **U.S. Cl.**

USPC **D23/253**

(58) **Field of Classification Search**

USPC D23/238–243, 249, 250, 252, 254;
4/675–678; 137/359, 801;
D8/350–353, 311–312; 16/402

See application file for complete search history.

(56) **References Cited**

U.S. PATENT DOCUMENTS

D189,534 S * 1/1961 Boldt D8/311
D299,051 S * 12/1988 Torstensson D23/252

D330,319 S * 10/1992 Linderman et al. D23/250
D380,440 S * 7/1997 Talish et al. D13/101
D408,504 S * 4/1999 Bowen D23/249
D494,660 S * 8/2004 Herring et al. D23/250

* cited by examiner

Primary Examiner — Robert Delehanty

(74) *Attorney, Agent, or Firm* — David C. Purdue

(57) **CLAIM**

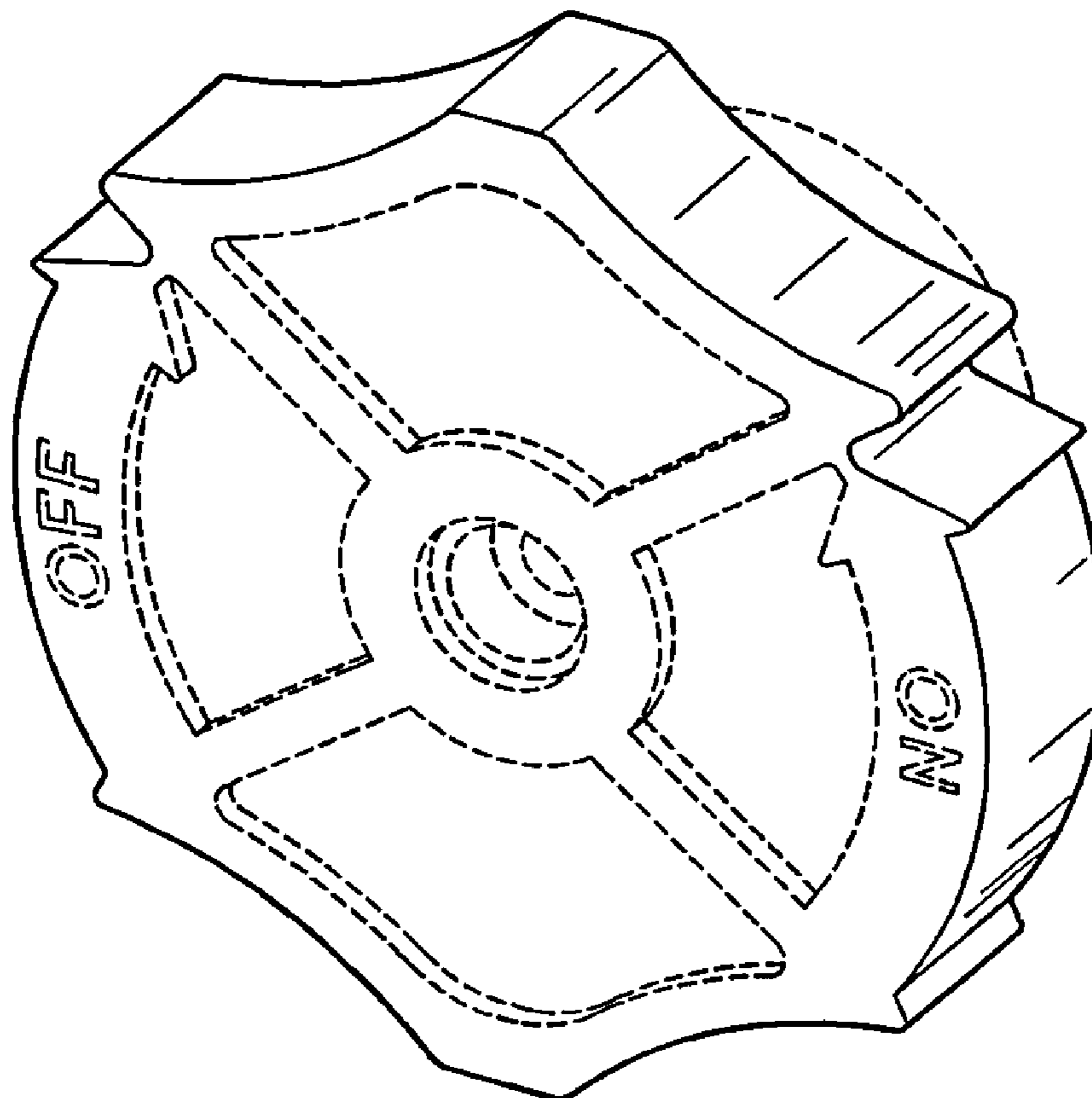
The ornamental design for a valve handle, as shown.

DESCRIPTION

FIG. 1 is a perspective view of a first embodiment of a valve handle showing my new design;
FIG. 2 is a top view thereof;
FIG. 3 is a bottom view thereof;
FIG. 4 is a right side view thereof;
FIG. 5 is a left side view thereof;
FIG. 6 is a rear view thereof; and,
FIG. 7 is a front view thereof.

The portions of the valve handle shown in broken lines in FIGS. 1 through 7 form no part of the claimed design.

1 Claim, 3 Drawing Sheets



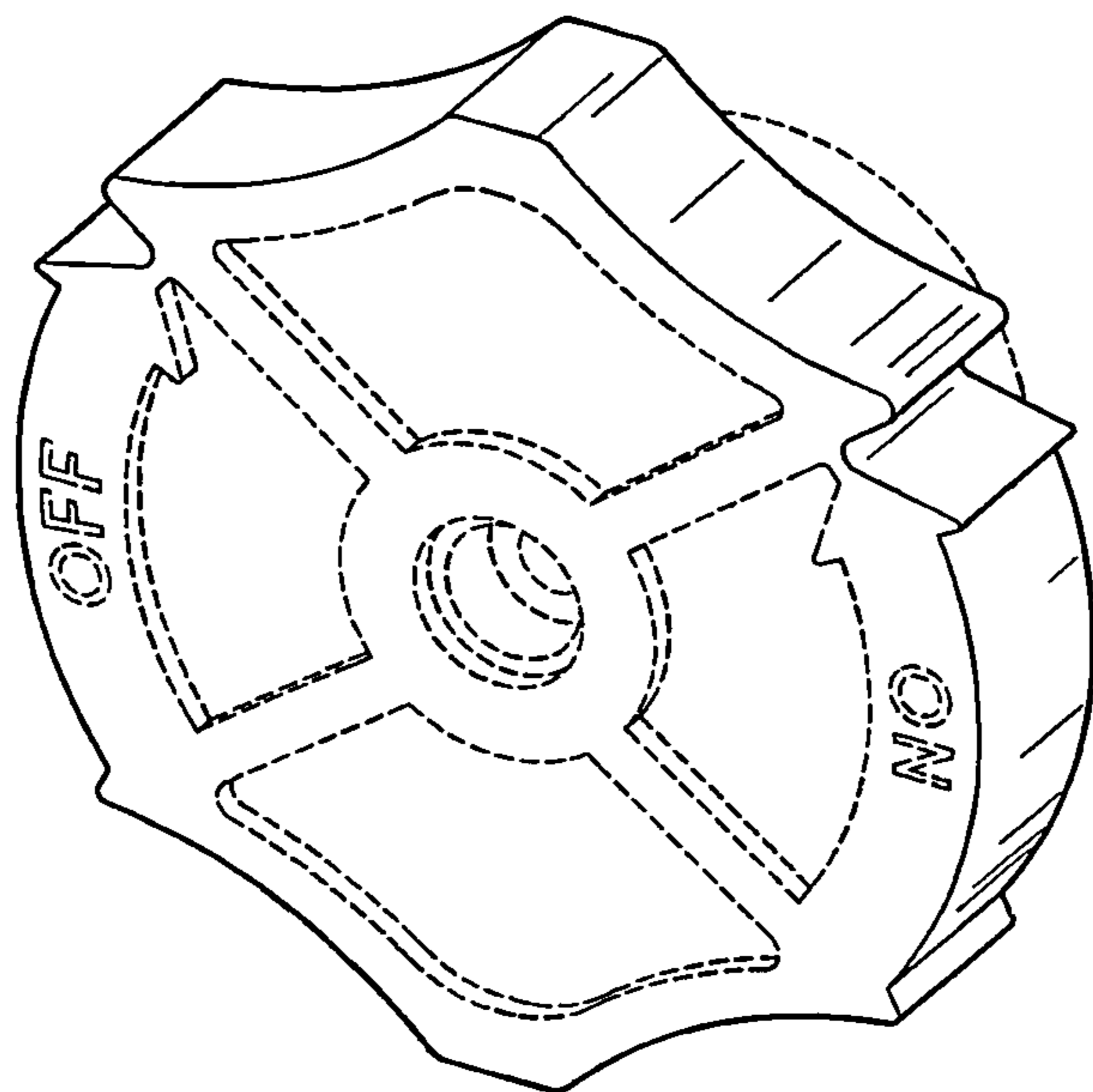


FIG. 1

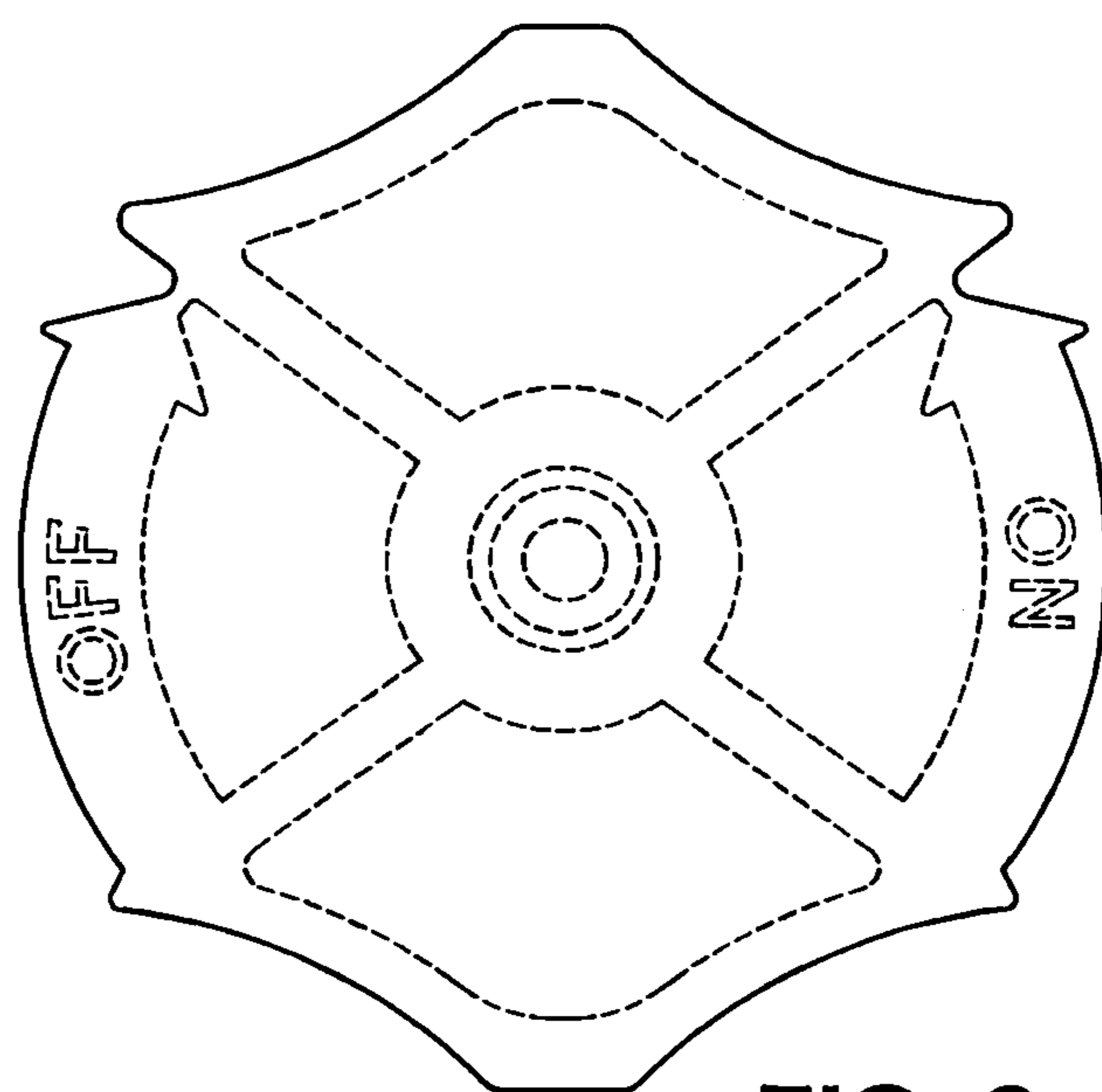


FIG. 2

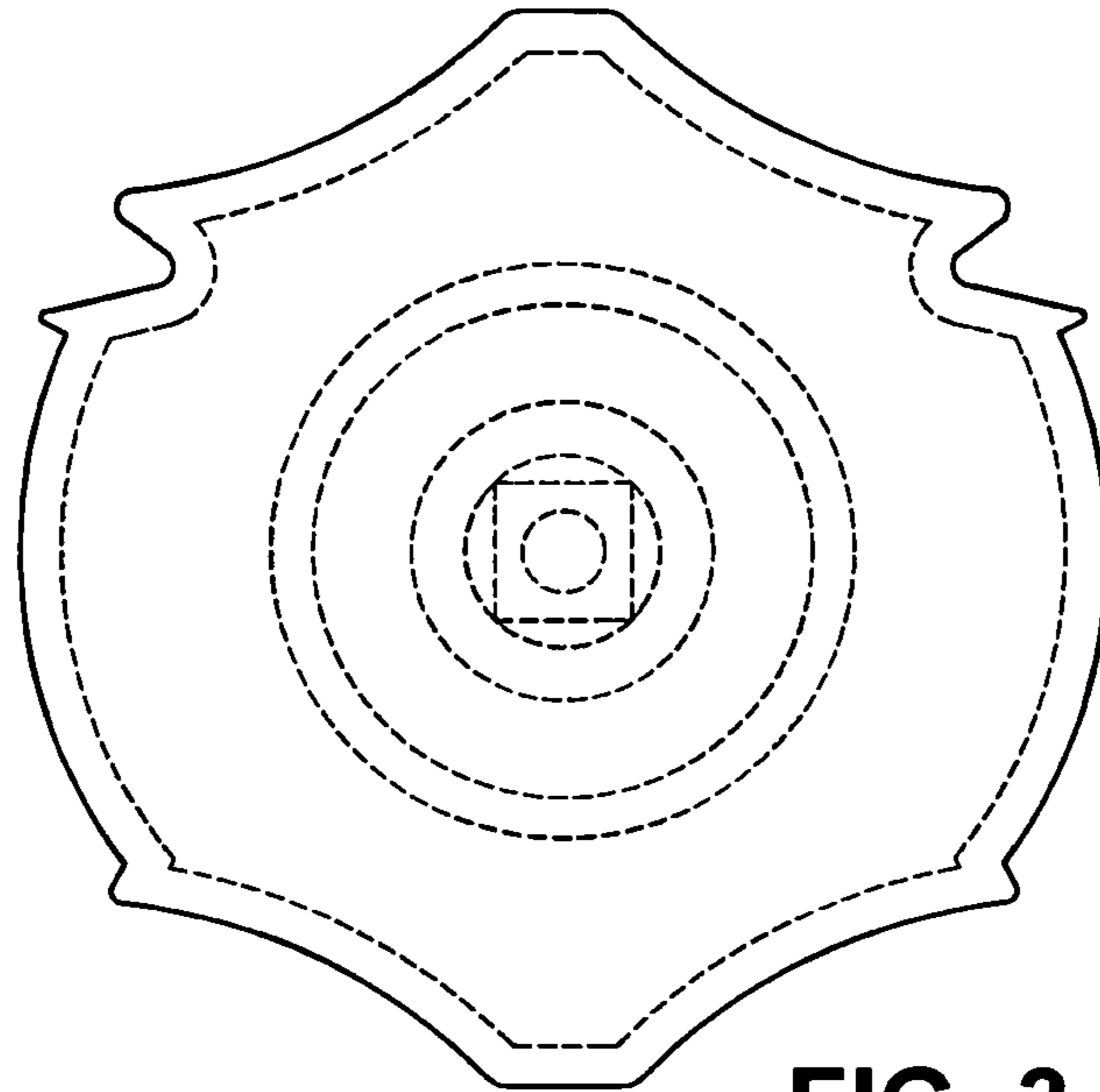


FIG. 3

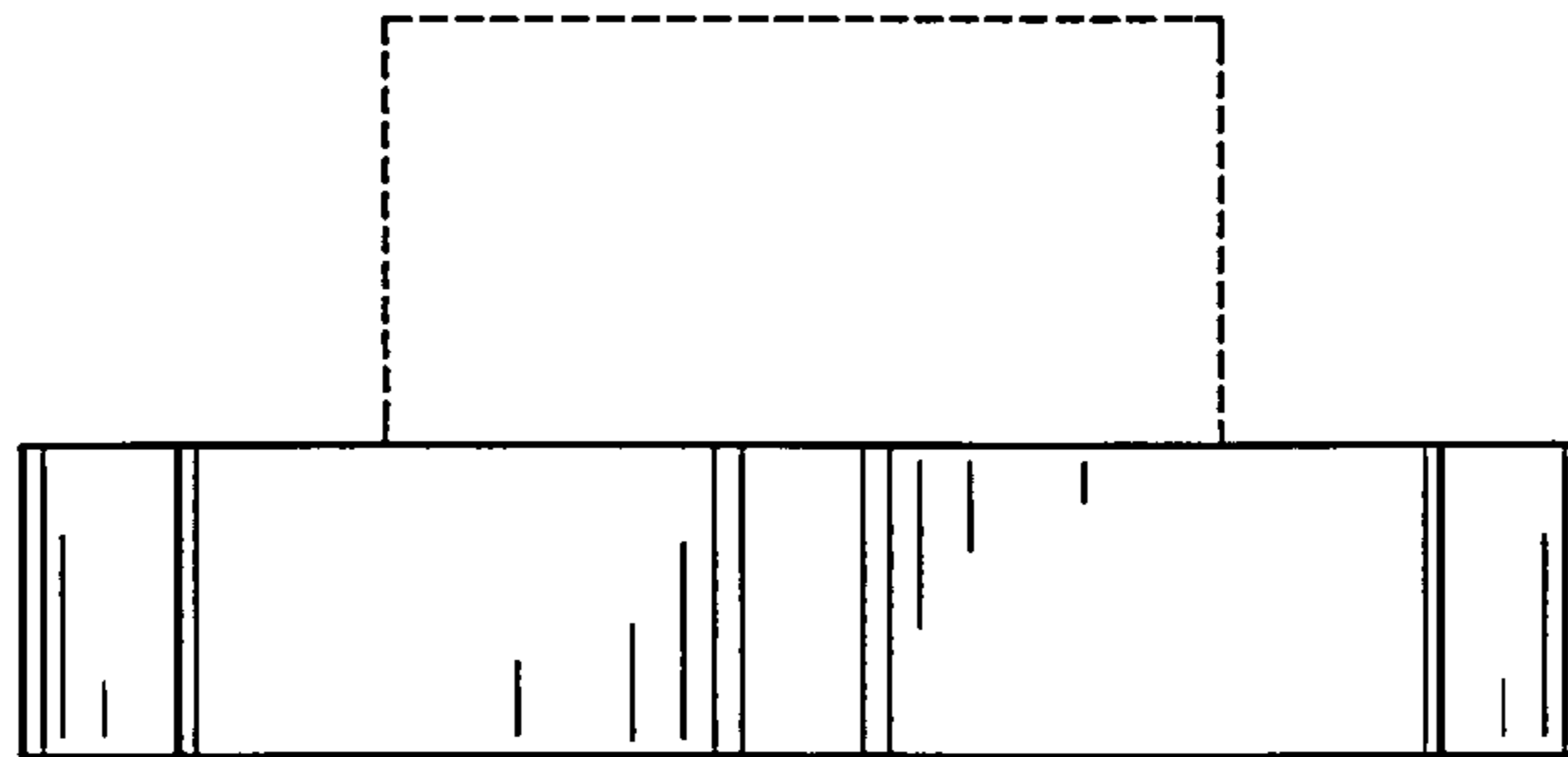


FIG. 4

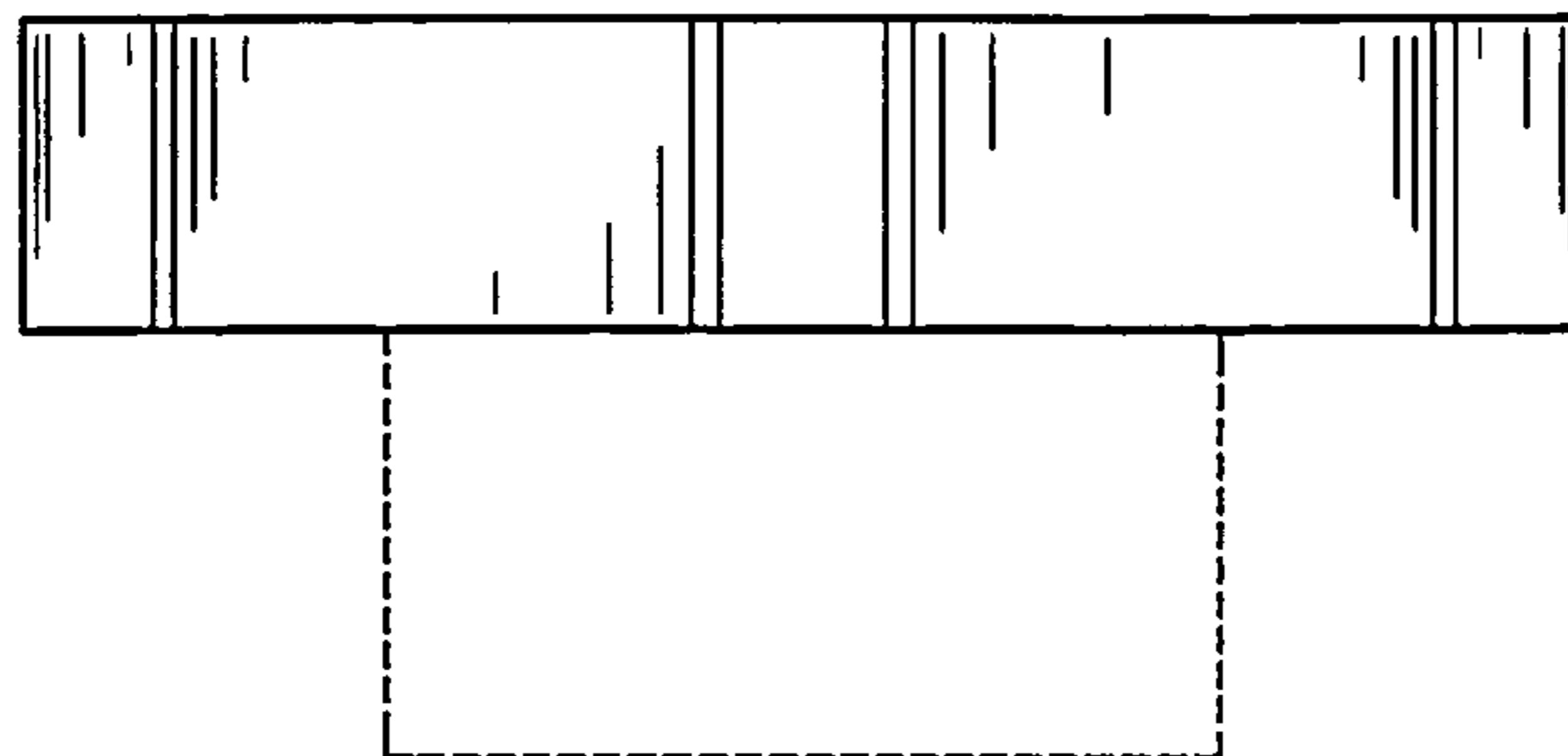


FIG. 5

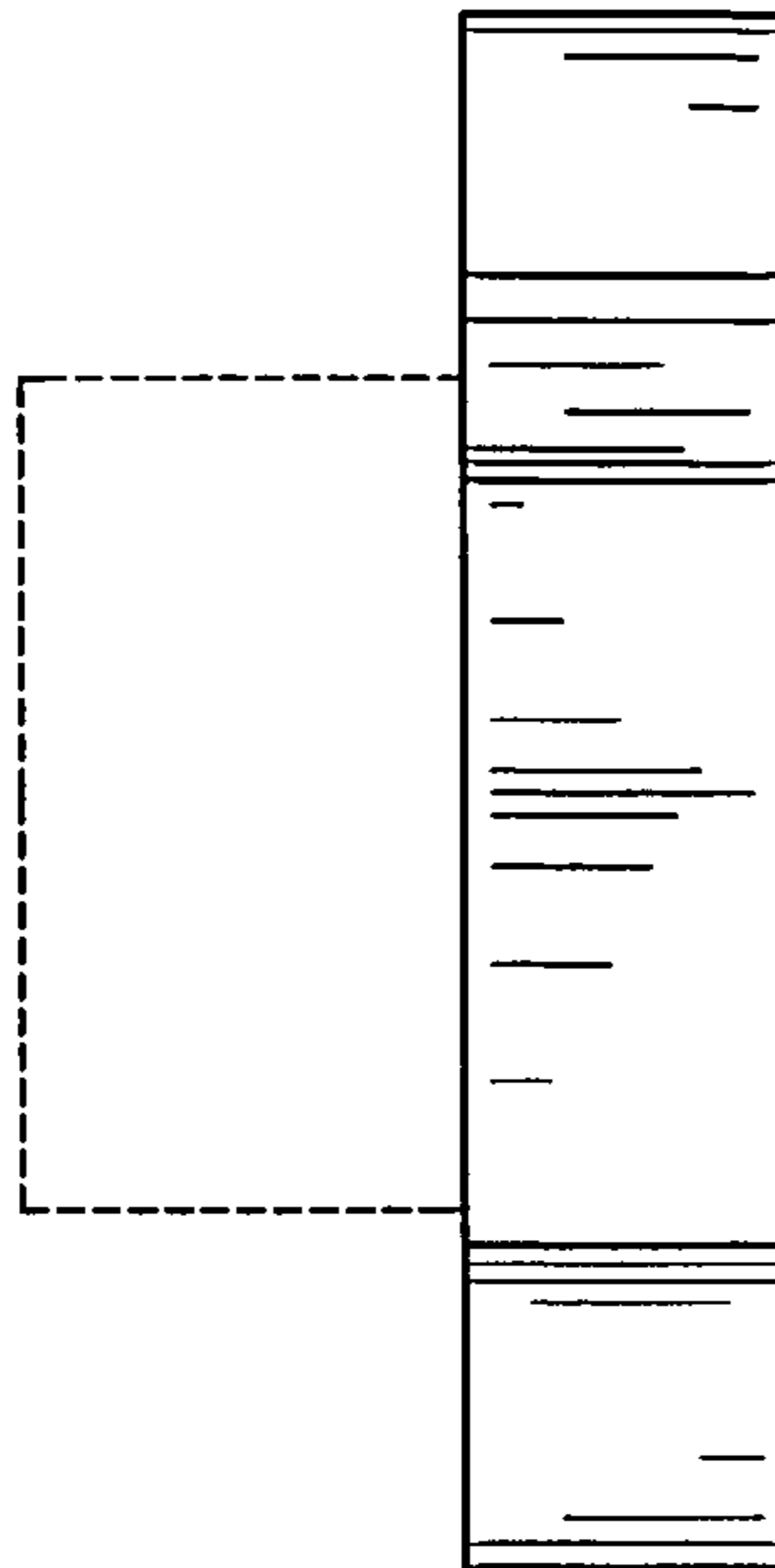


FIG. 6

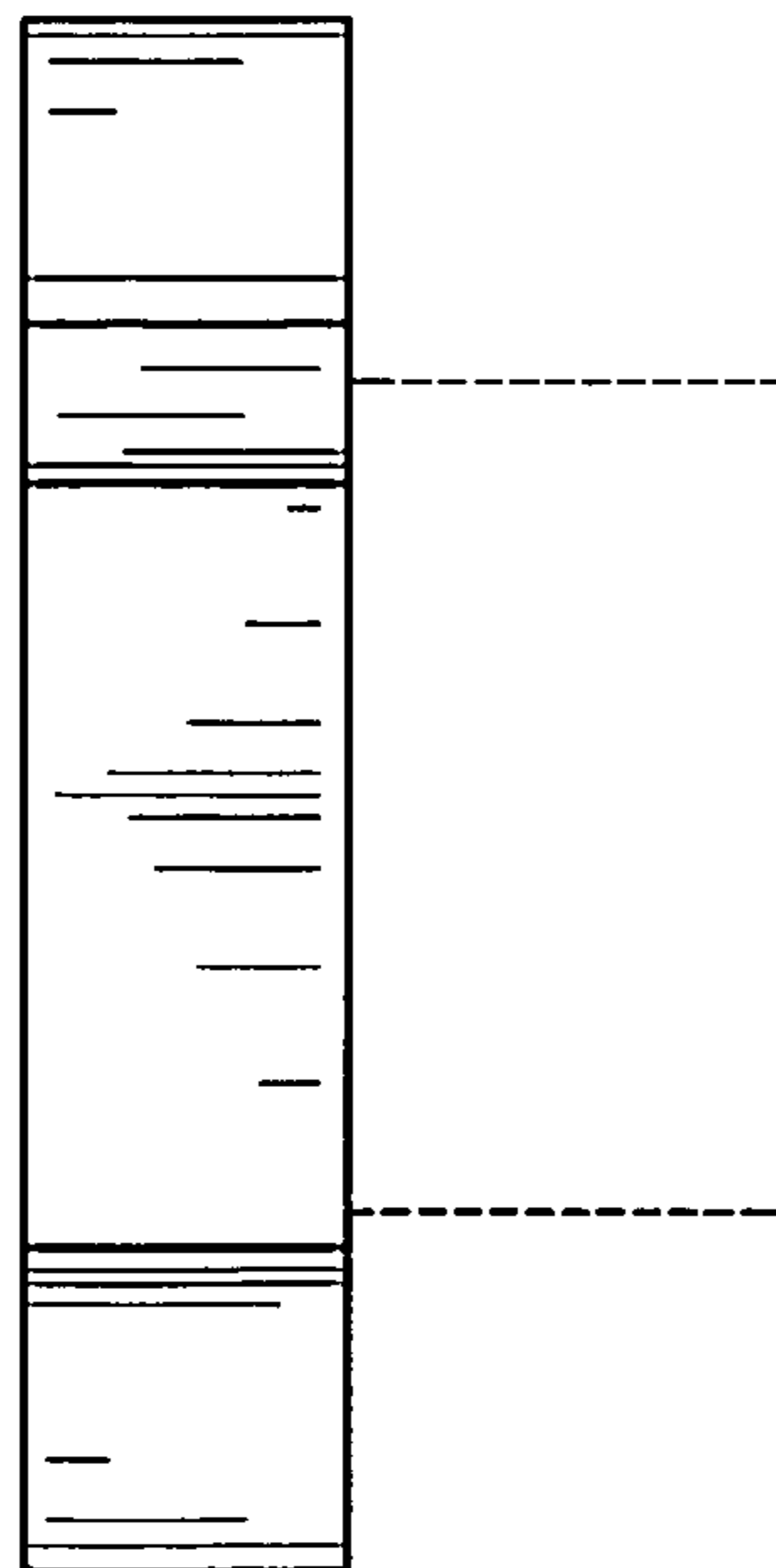


FIG. 7