



US00D703295S

(12) **United States Design Patent**
Garrels et al.

(10) **Patent No.:** **US D703,295 S**
(45) **Date of Patent:** **** Apr. 22, 2014**

(54) **DUAL FLUSH HANDLE**

(71) Applicants: **Clayton C. Garrels**, Sheboygan, WI (US); **Benjamin B. Fullerton, Jr.**, Oconomowoc, WI (US); **Gary N. Clarke**, Sheboygan, WI (US)

(72) Inventors: **Clayton C. Garrels**, Sheboygan, WI (US); **Benjamin B. Fullerton, Jr.**, Oconomowoc, WI (US); **Gary N. Clarke**, Sheboygan, WI (US)

(73) Assignee: **Kohler Co.**, Kohler, WI (US)

(**) Term: **14 Years**

(21) Appl. No.: **29/433,633**

(22) Filed: **Oct. 2, 2012**

(51) **LOC (10) Cl.** **23-01**

(52) **U.S. Cl.**
USPC **D23/252**

(58) **Field of Classification Search**
USPC D23/238-243, 250, 252; 4/675-678; 137/801; D8/308

See application file for complete search history.

(56) **References Cited**

U.S. PATENT DOCUMENTS

D105,160 S * 6/1937 Zinkil D23/252
D108,067 S * 1/1938 Clemmons D23/252

(Continued)

OTHER PUBLICATIONS

U.S. Appl. No. 61/604,355, filed Feb. 28, 2012, Lambert et al.

Primary Examiner — Robert Delehanty

(74) *Attorney, Agent, or Firm* — Foley & Lardner LLP

(57) **CLAIM**

We claim the ornamental design for a dual flush handle, as shown and described.

DESCRIPTION

FIG. 1 is a perspective view of an embodiment of the claimed design;

FIG. 2 is a front view of the design of FIG. 1;

FIG. 3 is a rear view of the design of FIG. 1;

FIG. 4 is a left-side view of the design of FIG. 1;

FIG. 5 is a right-side view of the design of FIG. 1;

FIG. 6 is a top view of the design of FIG. 1;

FIG. 7 is a bottom view of the design of FIG. 1;

FIG. 8 is a perspective view of another embodiment of the claimed design;

FIG. 9 is a front view of the design of FIG. 8;

FIG. 10 is a rear view of the design of FIG. 8;

FIG. 11 is a left-side view of the design of FIG. 8;

FIG. 12 is a right-side view of the design of FIG. 8;

FIG. 13 is a top view of the design of FIG. 8;

FIG. 14 is a bottom view of the design of FIG. 8;

FIG. 15 is a perspective view of a use position of the embodiment of the claimed design shown in FIGS. 1-7;

FIG. 16 is a front view of the design of FIG. 15;

FIG. 17 is a rear view of the design of FIG. 15;

FIG. 18 is a left-side view of the design of FIG. 15;

FIG. 19 is a right-side view of the design of FIG. 15;

FIG. 20 is a top view of the design of FIG. 15;

FIG. 21 is a bottom view of the design of FIG. 15;

FIG. 22 is a perspective view of a use position of the embodiment of the claimed design shown in FIGS. 8-14;

FIG. 23 is a front view of the design of FIG. 22;

FIG. 24 is a rear view of the design of FIG. 22;

FIG. 25 is a left-side view of the design of FIG. 22;

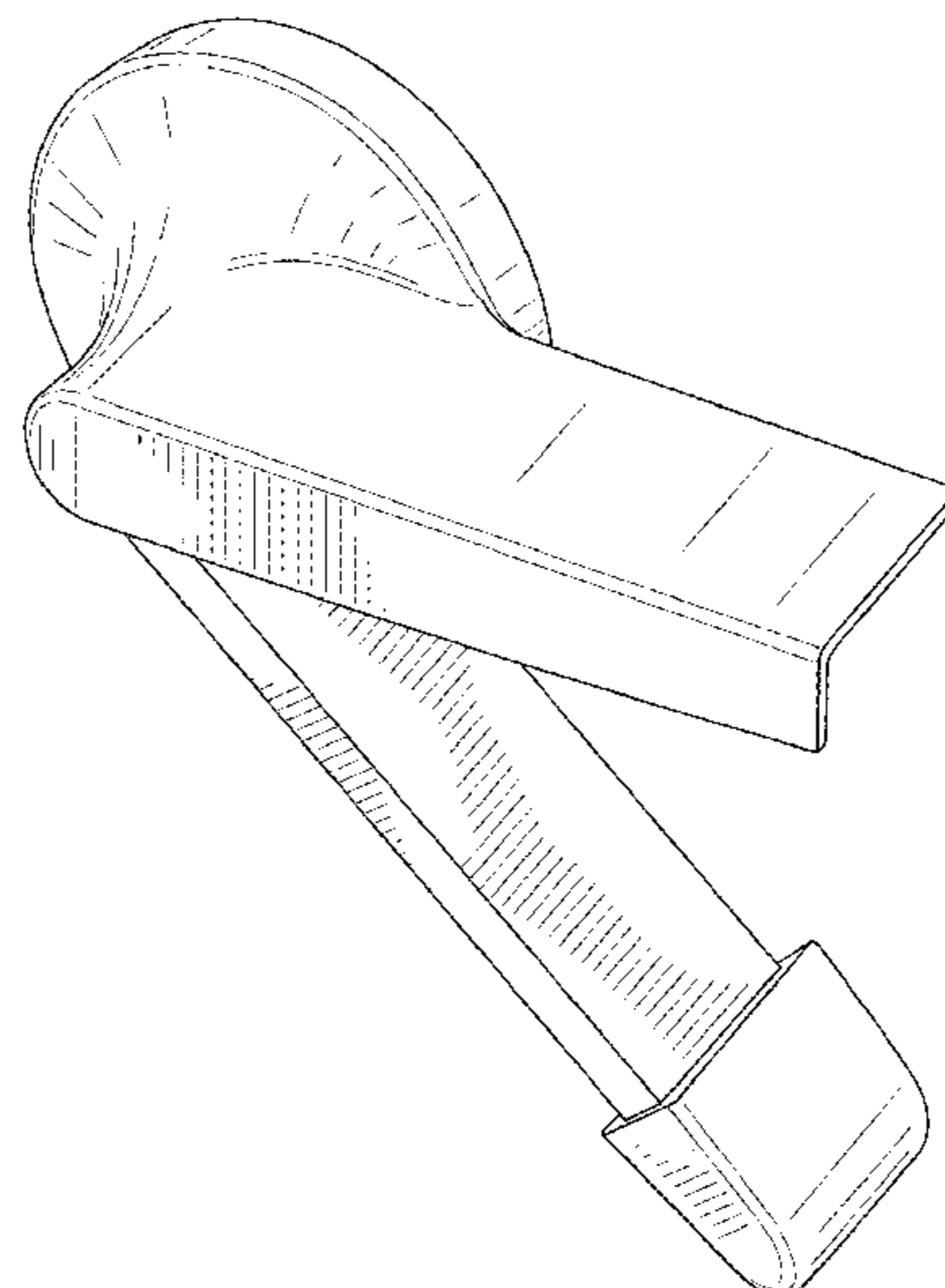
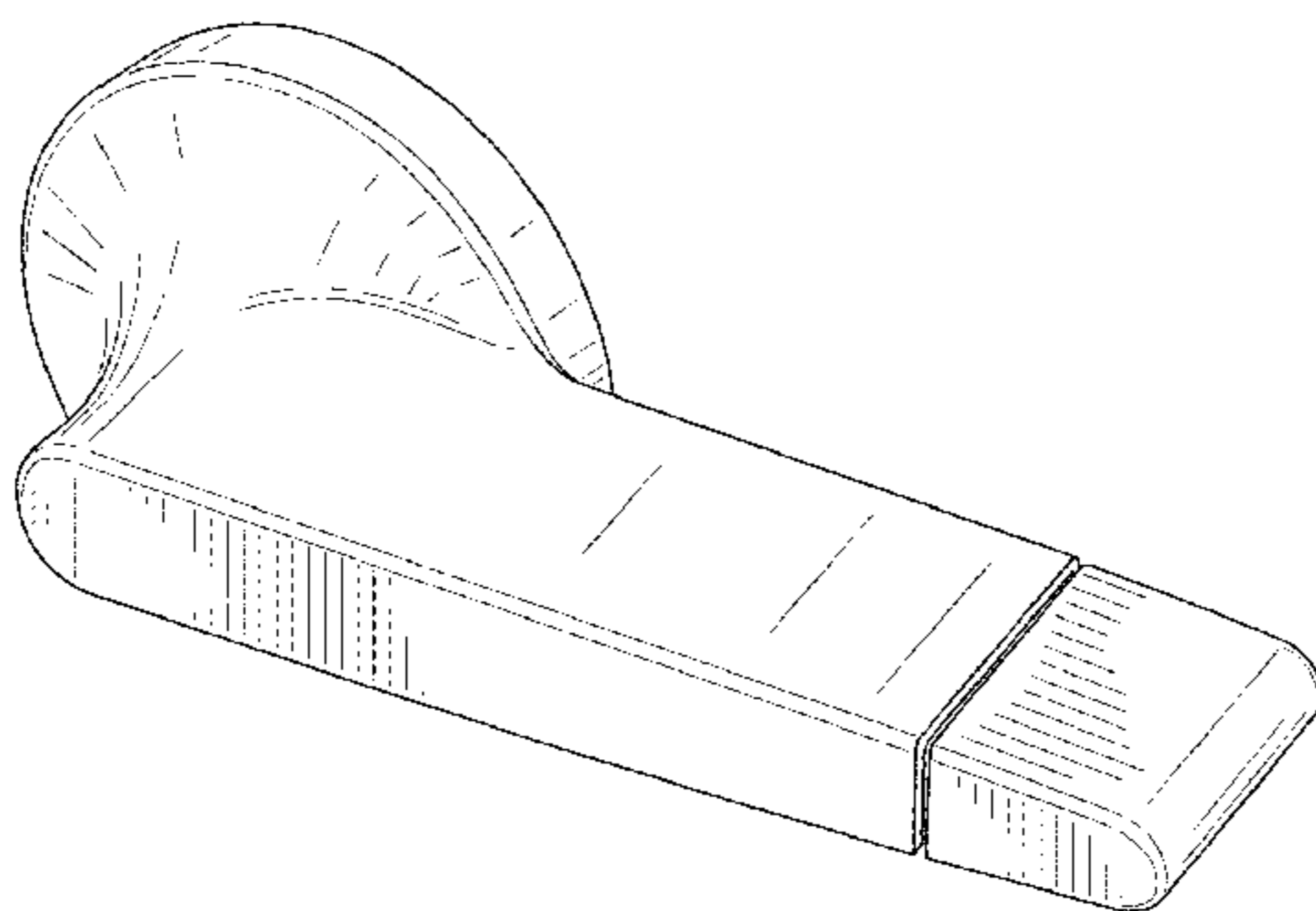
FIG. 26 is a right-side view of the design of FIG. 22;

FIG. 27 is a top view of the design of FIG. 22; and,

FIG. 28 is a bottom view of the design of FIG. 22.

The ornamental design which is claimed is shown in solid lines in the drawings. The broken lines in the drawings are for illustrative purposes only and form no part of the claimed design. The dash-dot lines in the drawings define boundaries of the claimed design and form no part thereof.

1 Claim, 12 Drawing Sheets



(56)

References Cited

U.S. PATENT DOCUMENTS

D263,990 S 4/1982 Fleischmann
 D265,117 S 6/1982 Fleischmann
 4,411,029 A * 10/1983 Huang 4/324
 D284,500 S 7/1986 Bolgert
 D289,543 S 4/1987 Davis
 D294,731 S 3/1988 Reid
 D296,578 S 7/1988 Reid
 D297,356 S 8/1988 Reid
 D299,739 S 2/1989 Kohler, Jr.
 D302,849 S 8/1989 Kohler, Jr.
 D316,747 S 5/1991 Fleischmann
 D318,905 S 8/1991 Reid
 D323,022 S 1/1992 Ragonot
 D324,412 S 3/1992 Bonnell
 D326,139 S 5/1992 Ragonot
 D338,518 S 8/1993 Reid
 D339,190 S 9/1993 Pieramico

D346,105 S * 4/1994 Shaanan D8/308
 D349,328 S 8/1994 Bollenbacher
 D356,145 S * 3/1995 Bollenbacher D23/252
 D367,519 S 2/1996 Bengtson
 D379,847 S 6/1997 Kohler, Jr.
 D407,144 S 3/1999 Formgren
 D476,065 S 6/2003 Smith
 D495,401 S 8/2004 Smith
 D495,780 S 9/2004 Aubry
 D521,607 S 5/2006 Blomstrom
 D523,937 S * 6/2006 Schaffeld et al. D23/252
 D530,399 S 10/2006 Blomstrom
 D532,486 S 11/2006 Barry
 D545,402 S 6/2007 Kohler, Jr.
 D579,523 S 10/2008 Montgomery
 D592,281 S 5/2009 Eilmus
 D605,258 S 12/2009 Rubin
 D644,303 S 8/2011 Slothower
 D644,304 S 8/2011 Slothower
 D661,783 S * 6/2012 Georgeson et al. D23/252

* cited by examiner

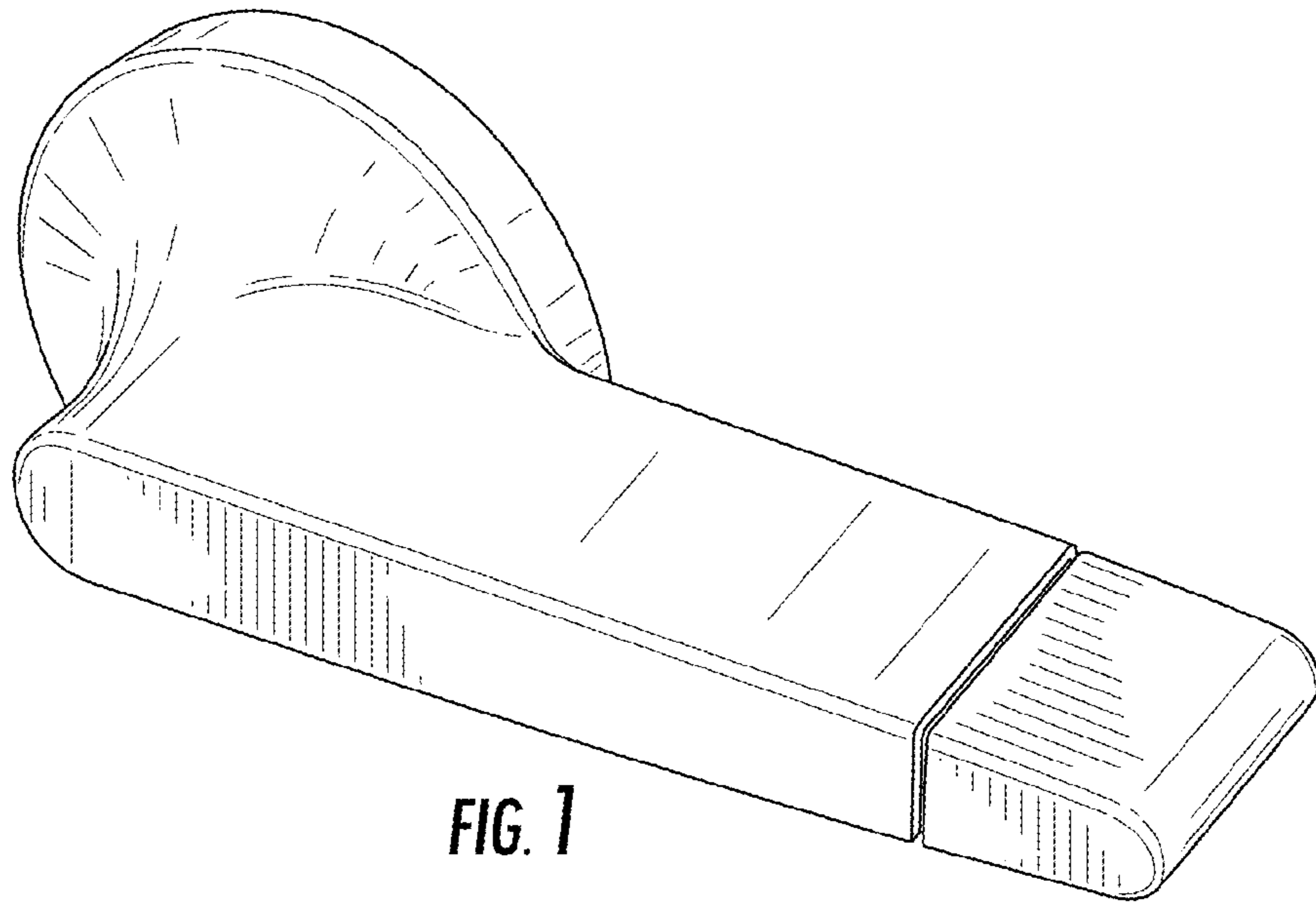


FIG. 1

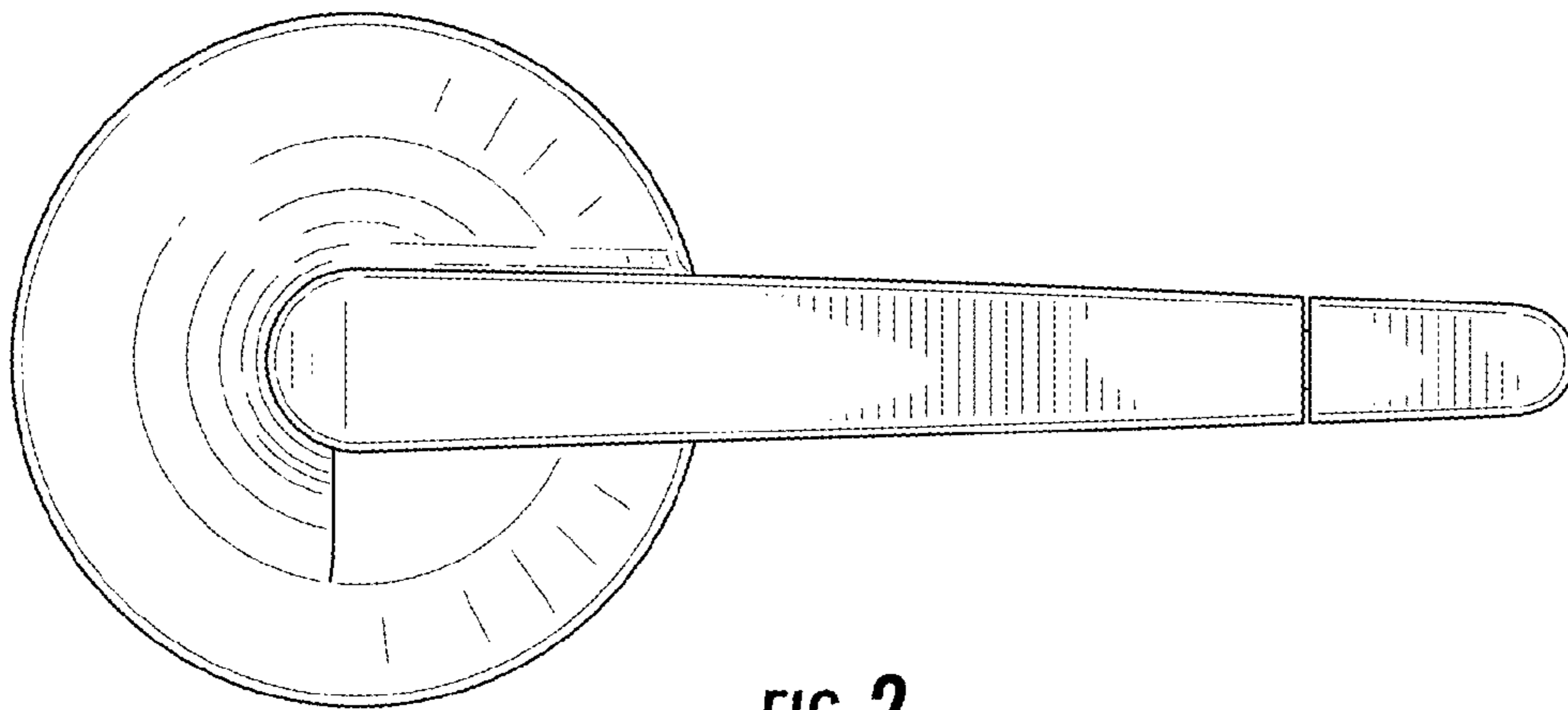


FIG. 2

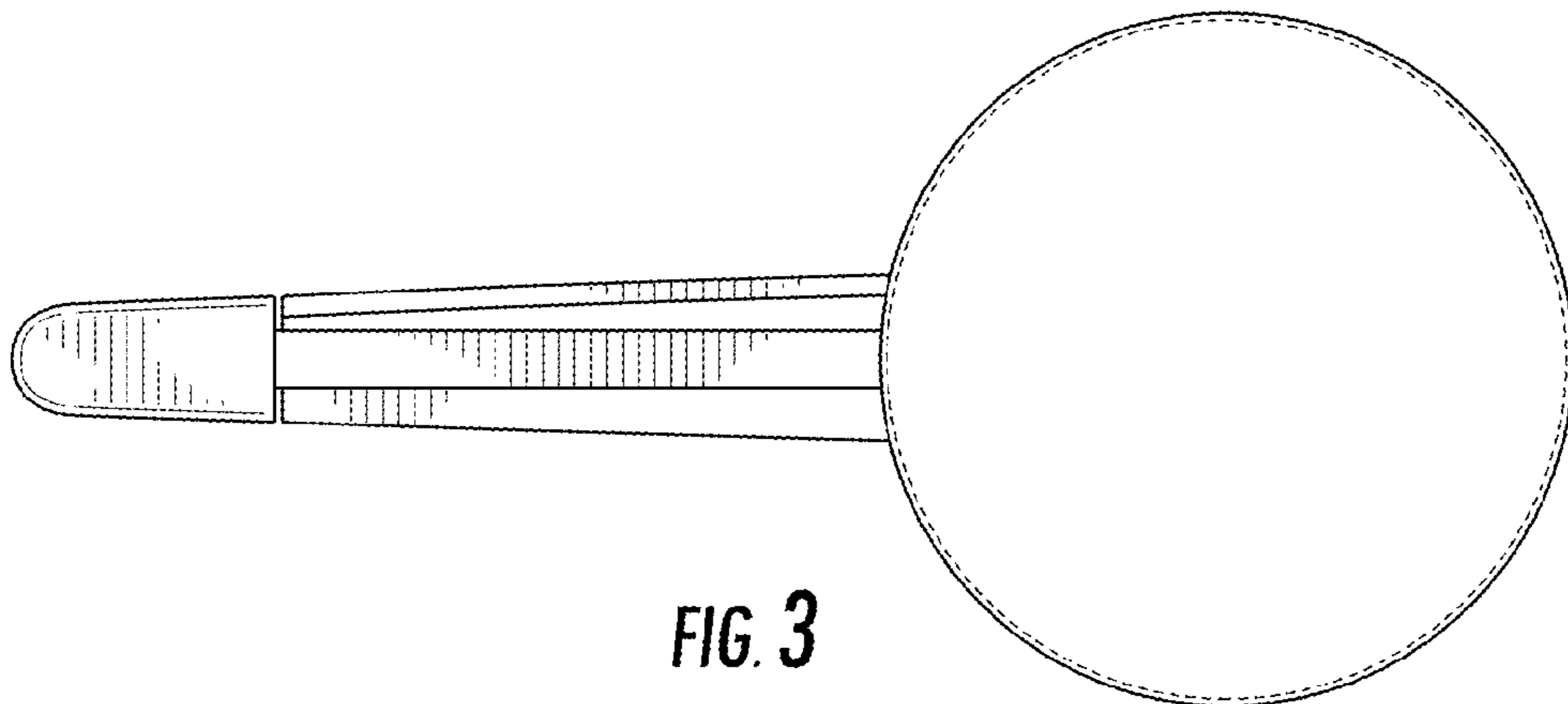


FIG. 3

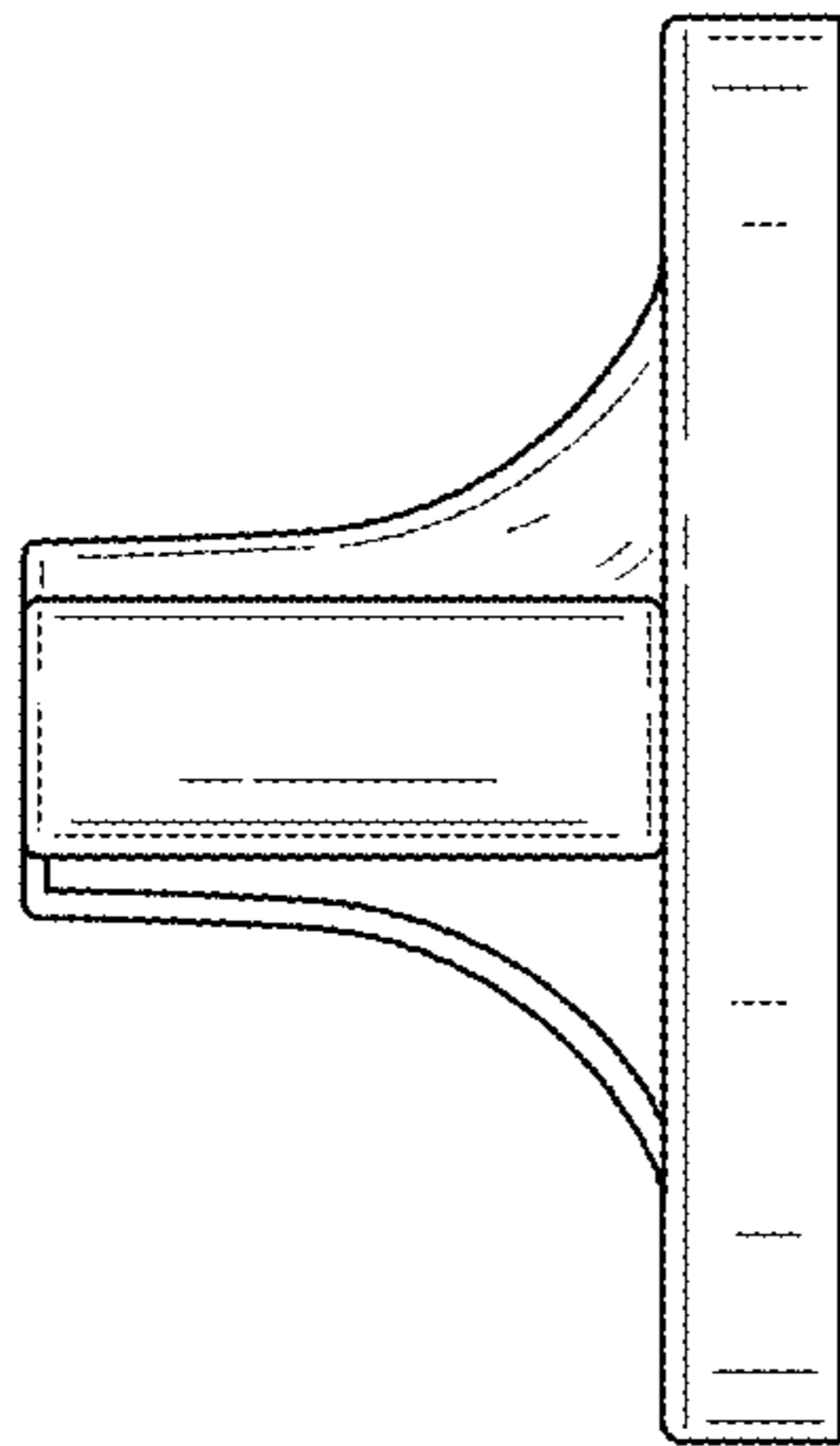


FIG. 4

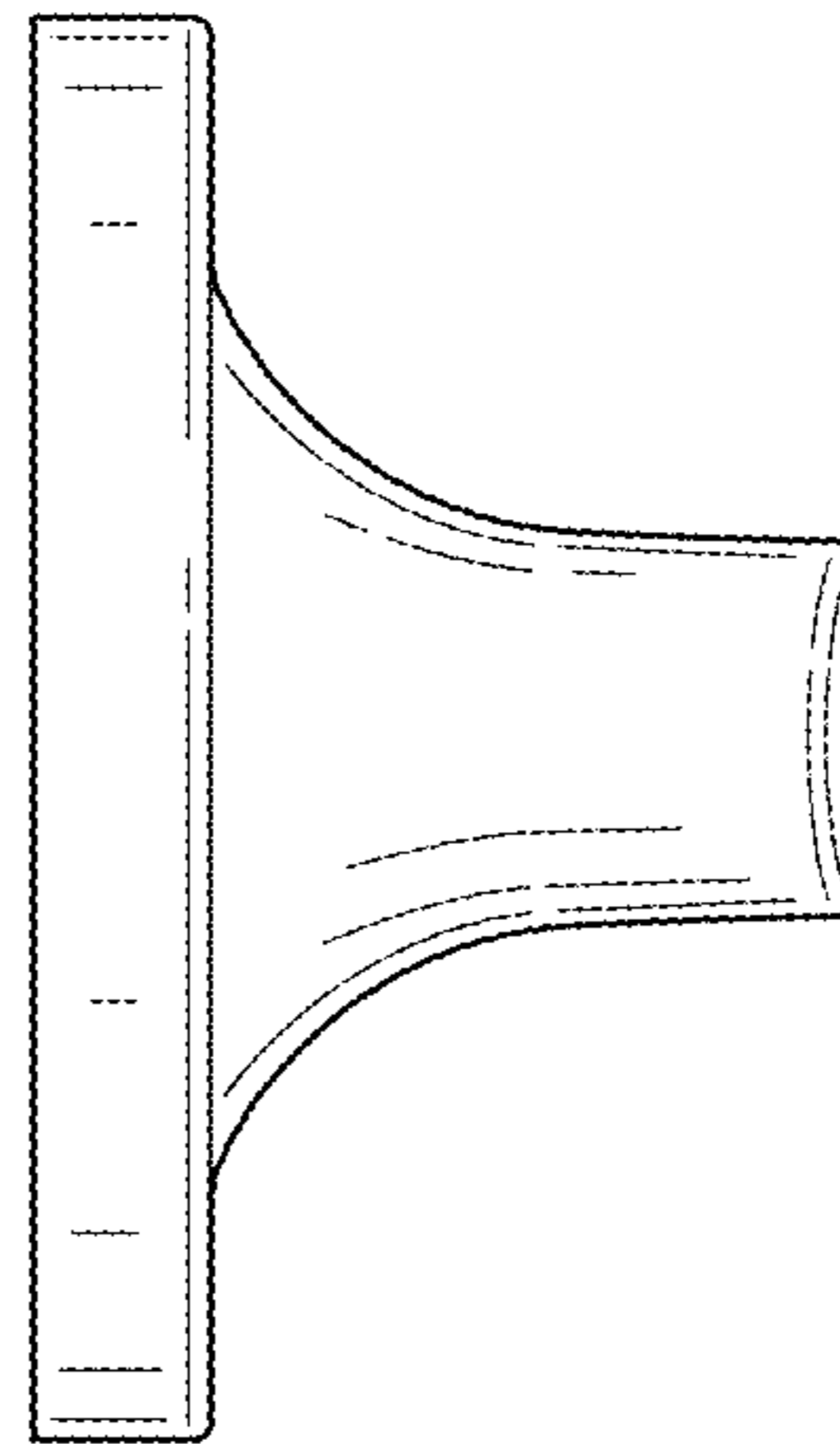


FIG. 5

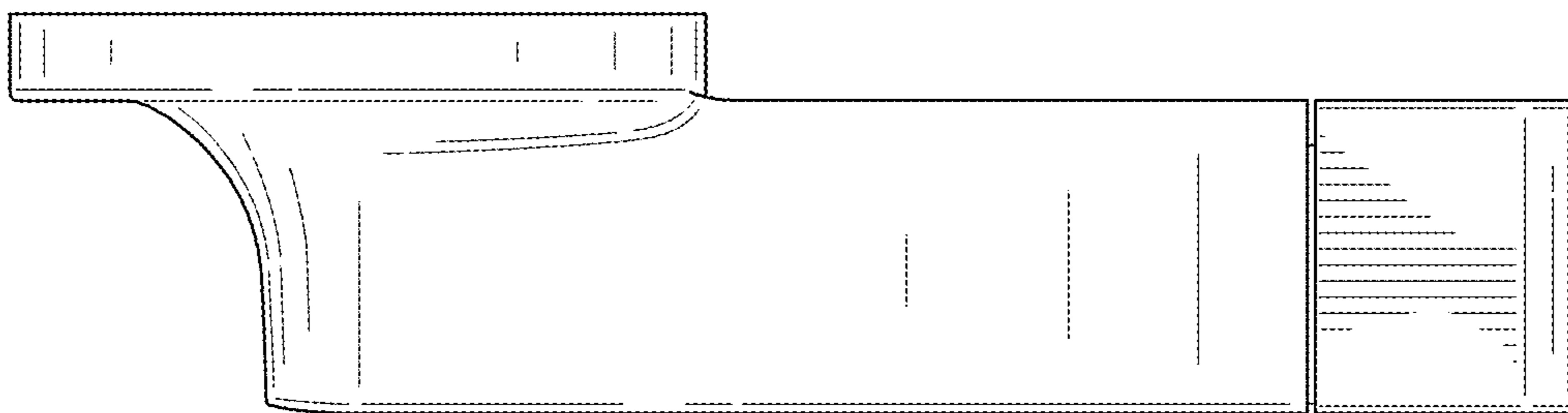


FIG. 6

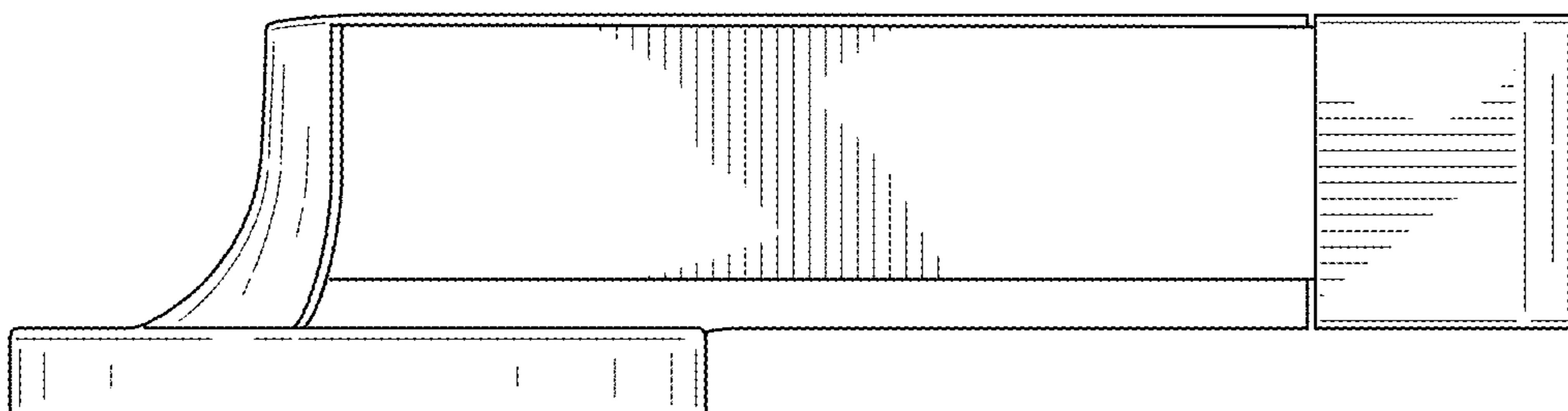


FIG. 7

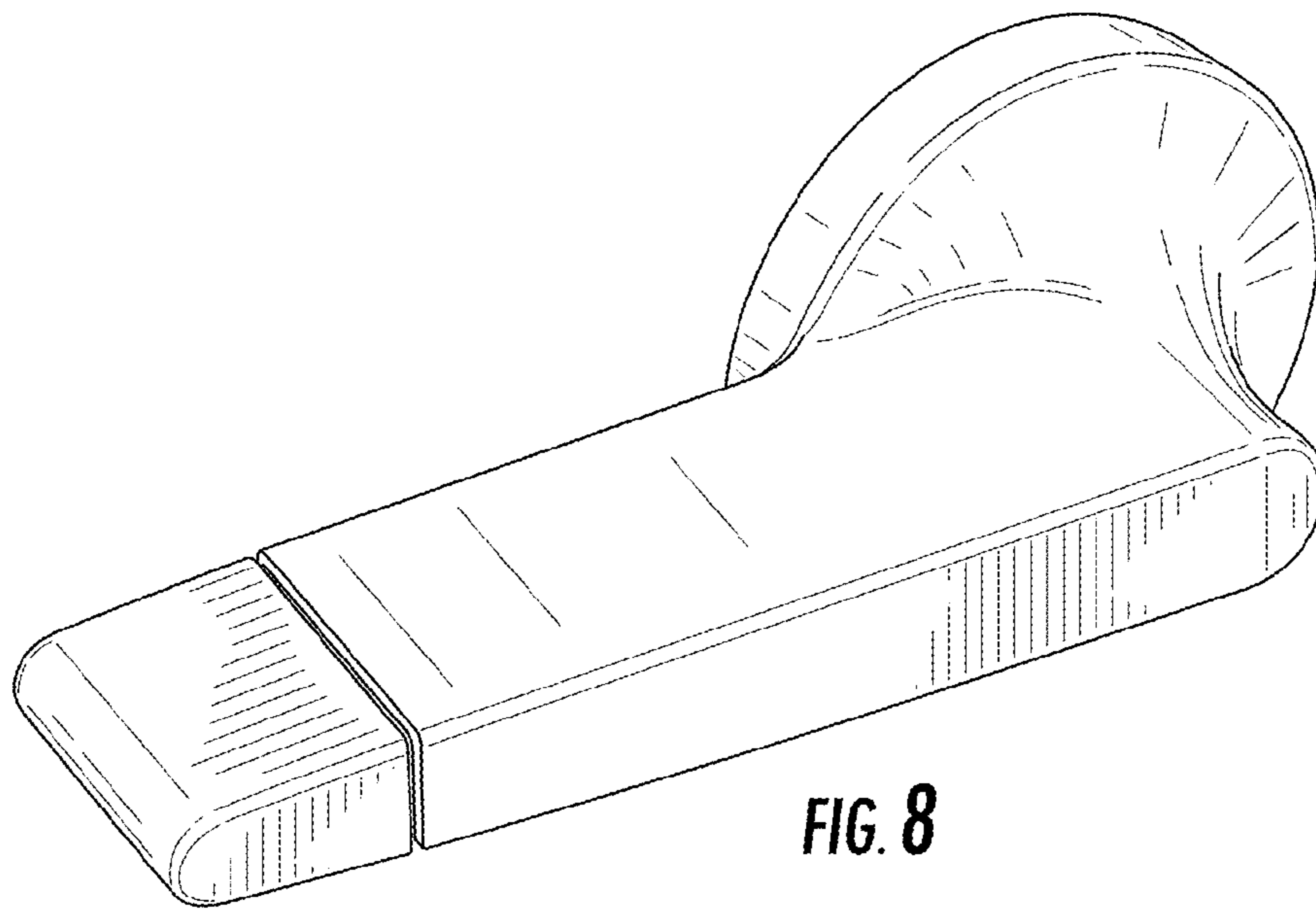


FIG. 8

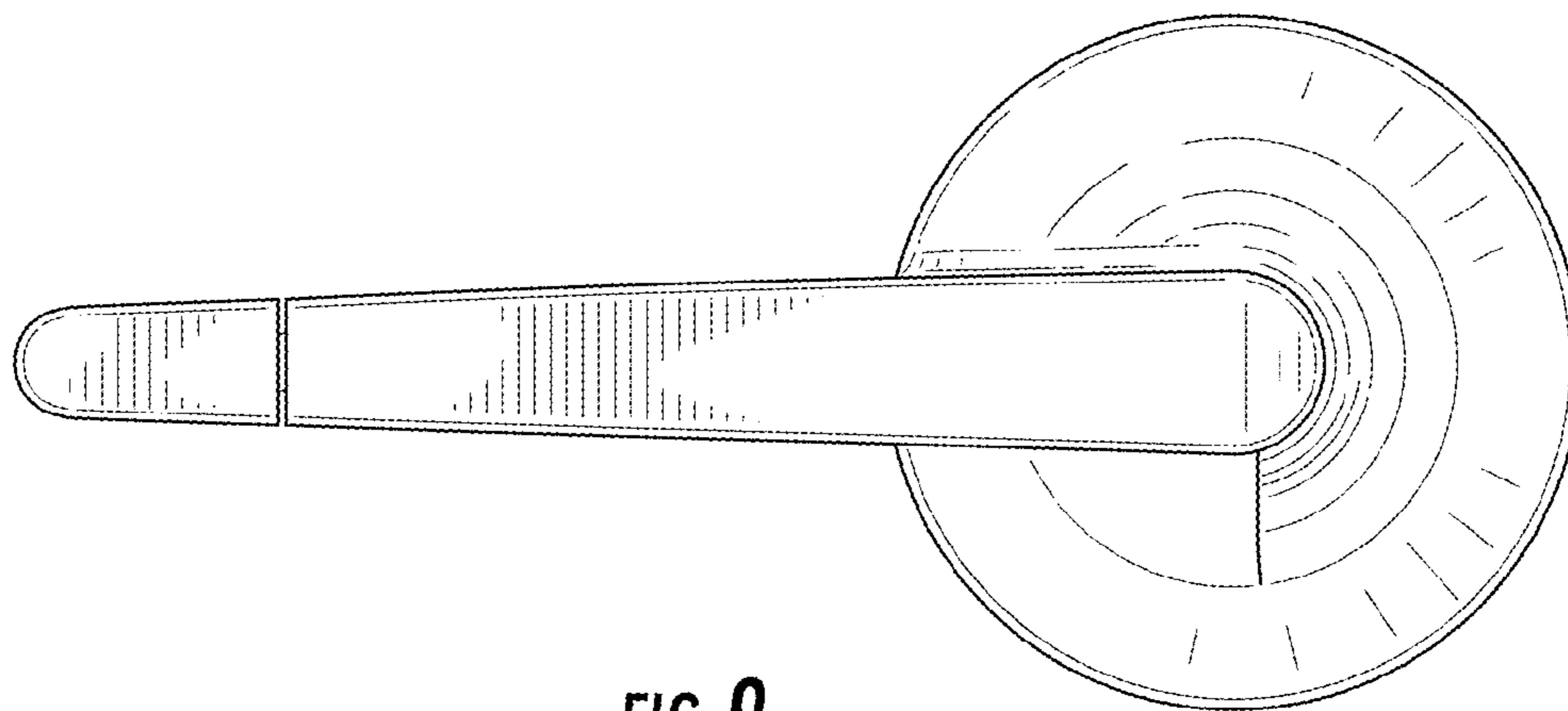


FIG. 9

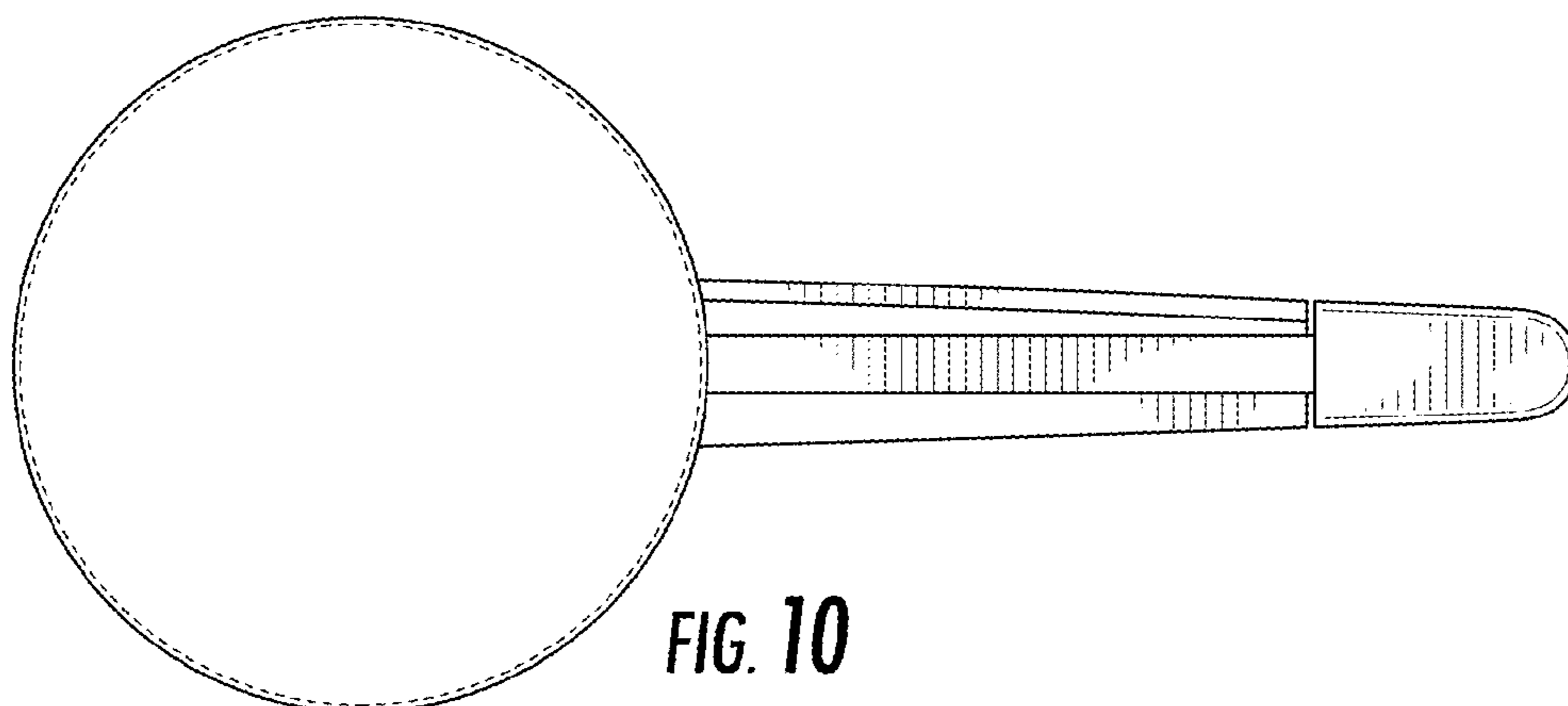


FIG. 10

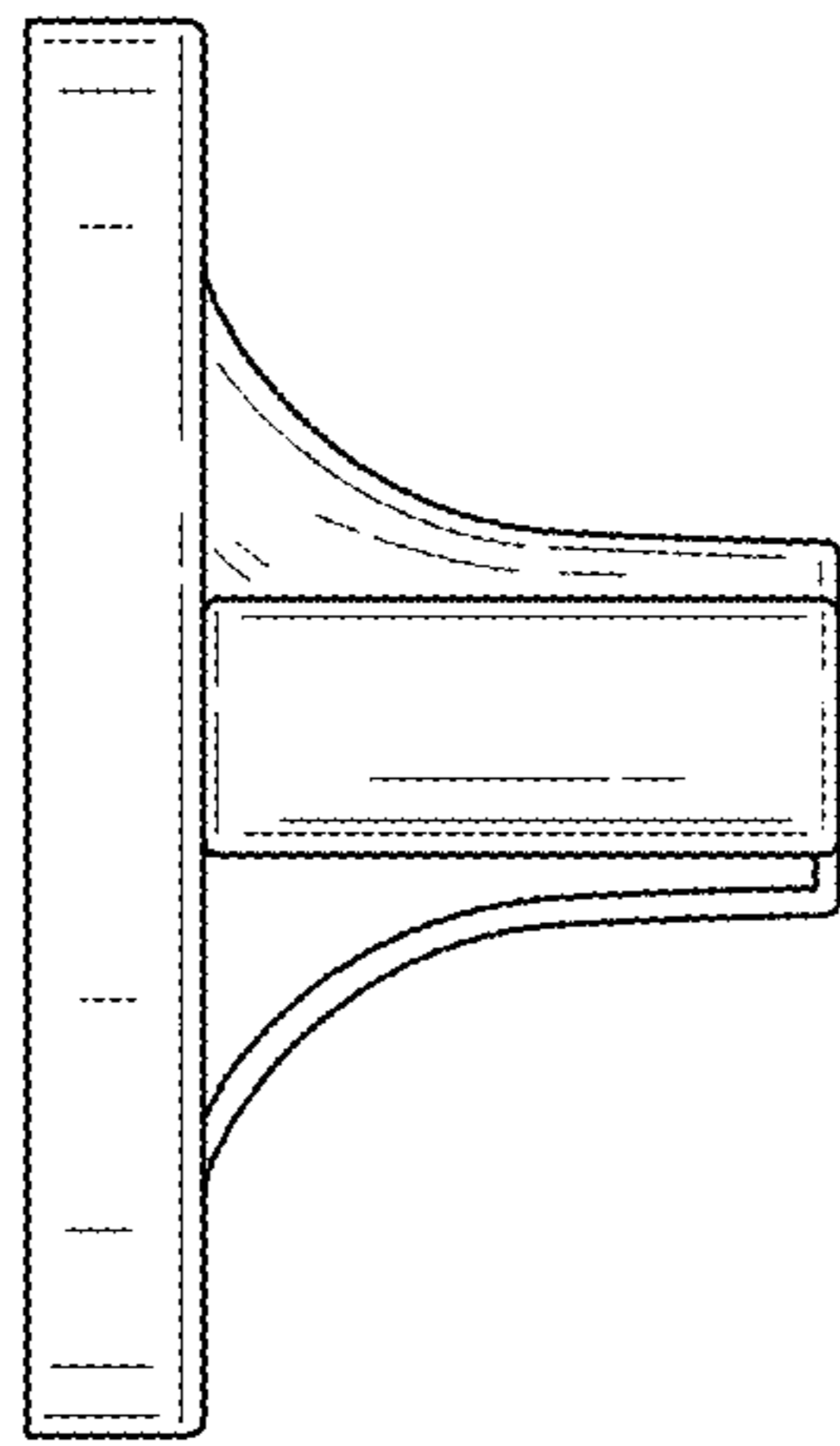


FIG. 11

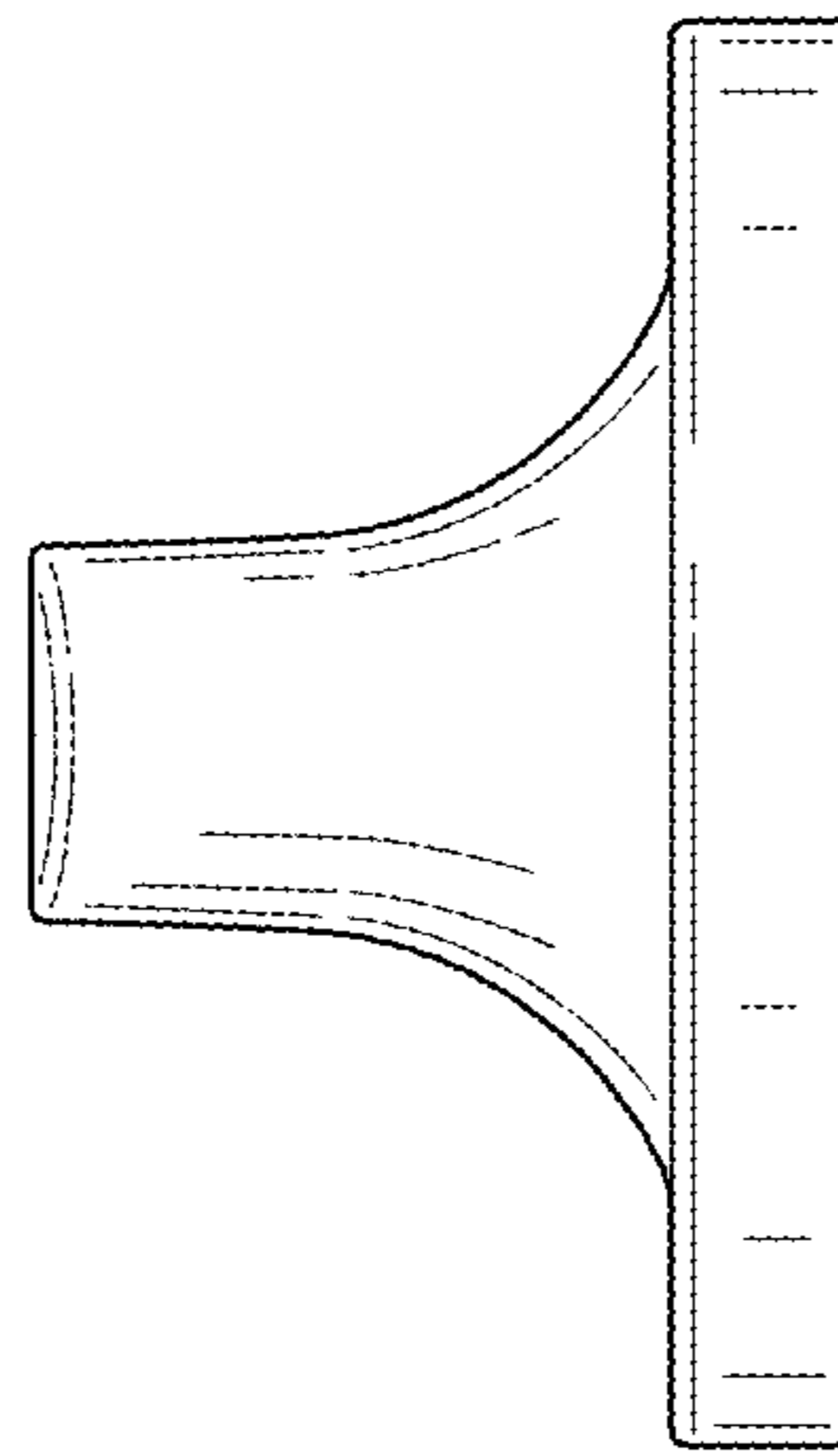


FIG. 12

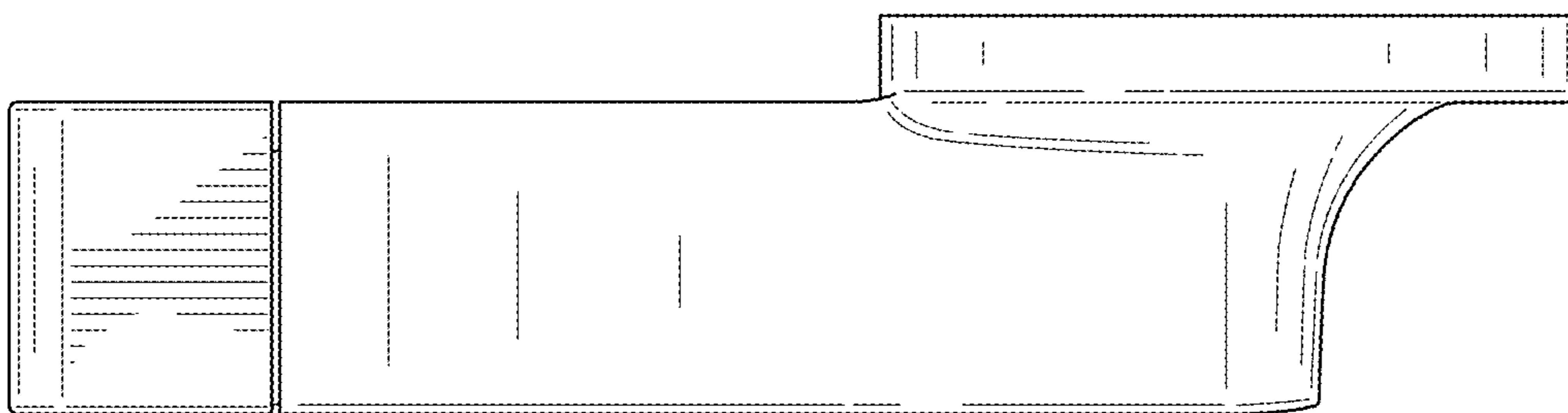


FIG. 13

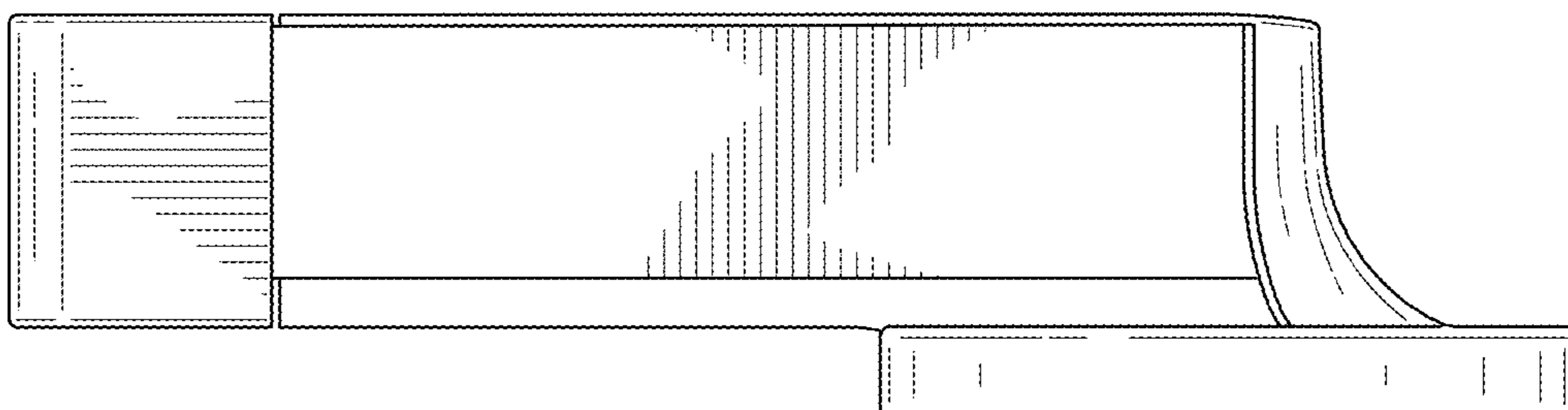


FIG. 14

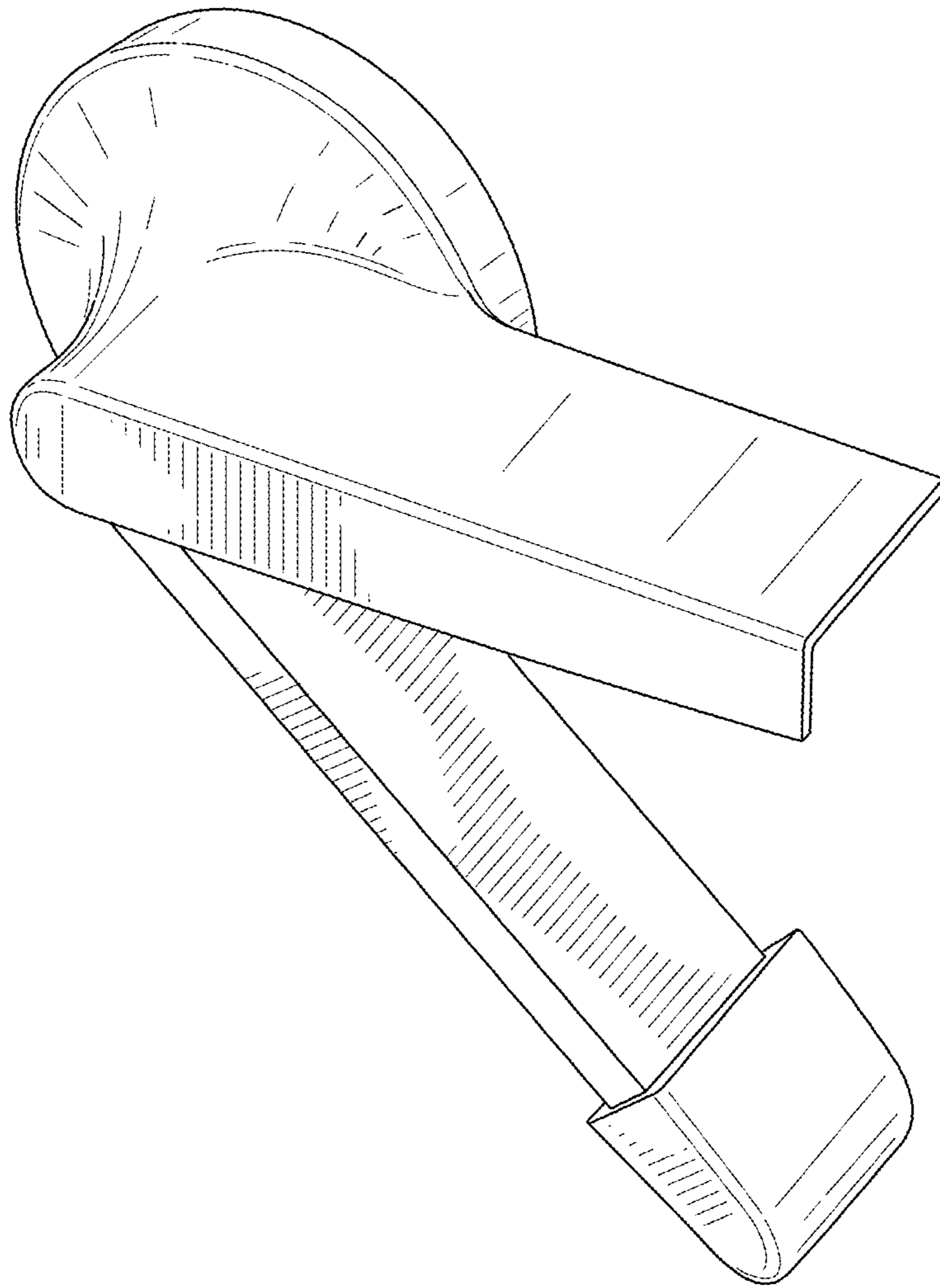


FIG. 15

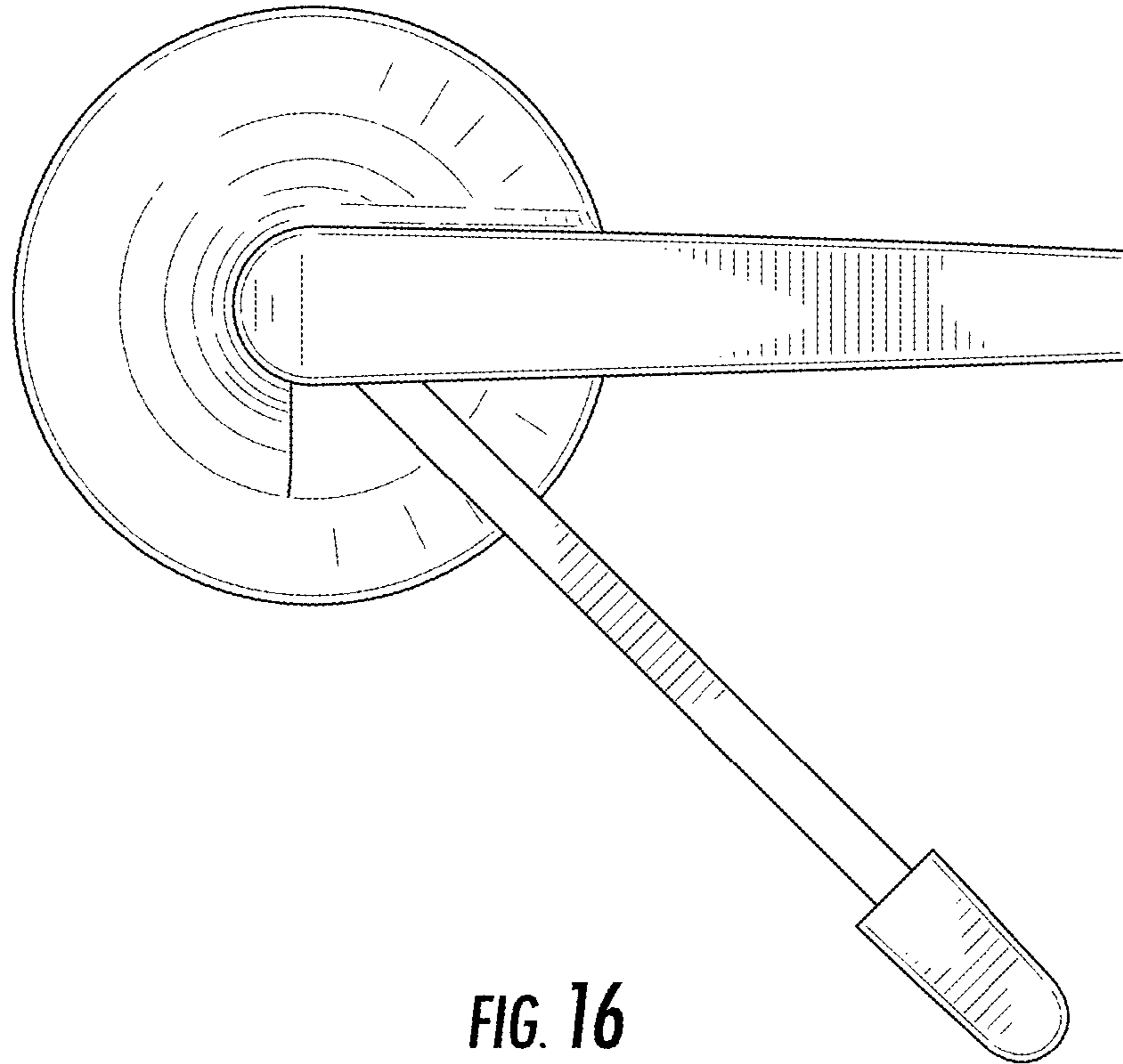


FIG. 16

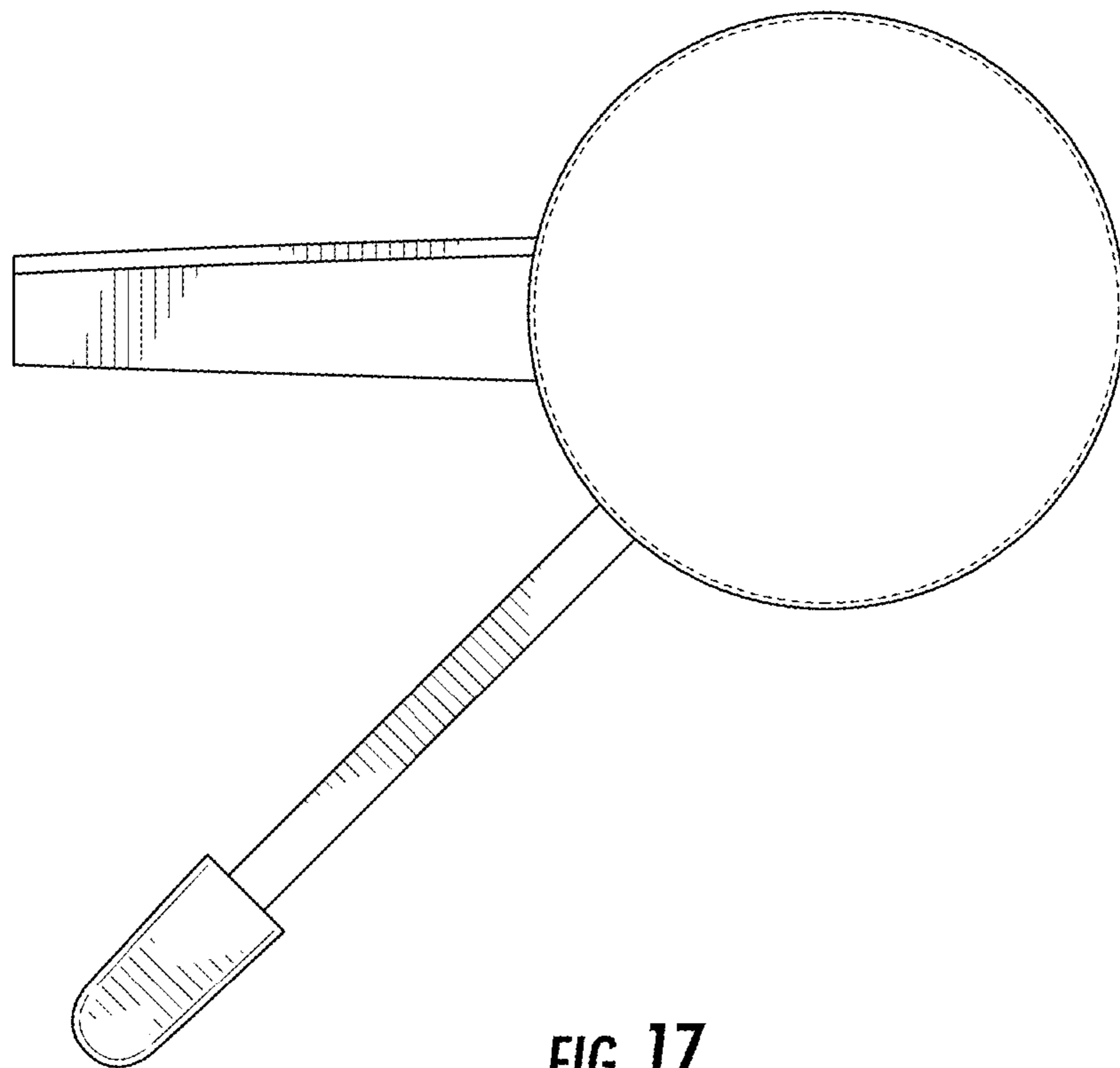


FIG. 17

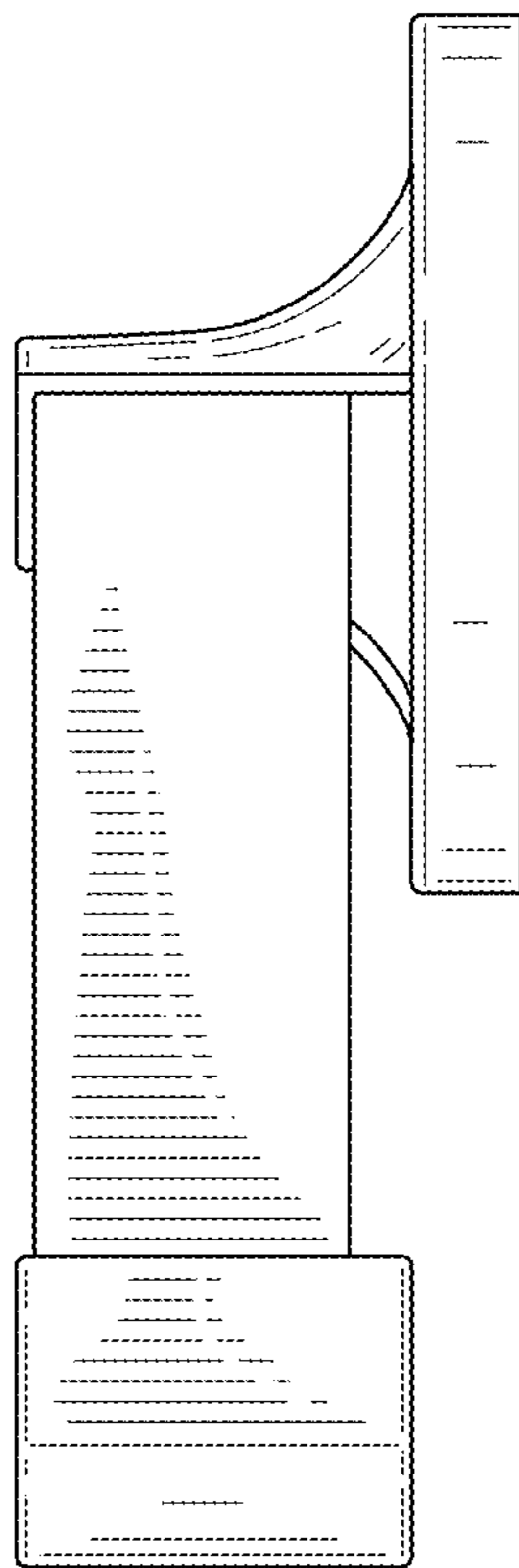


FIG. 18

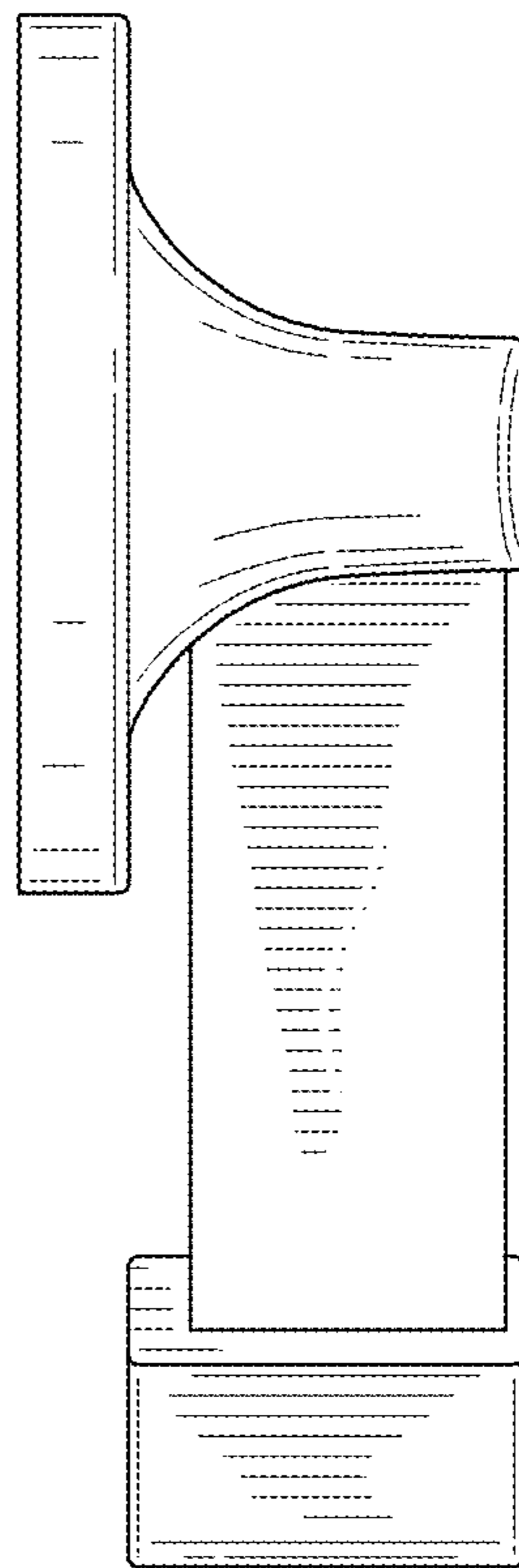


FIG. 19

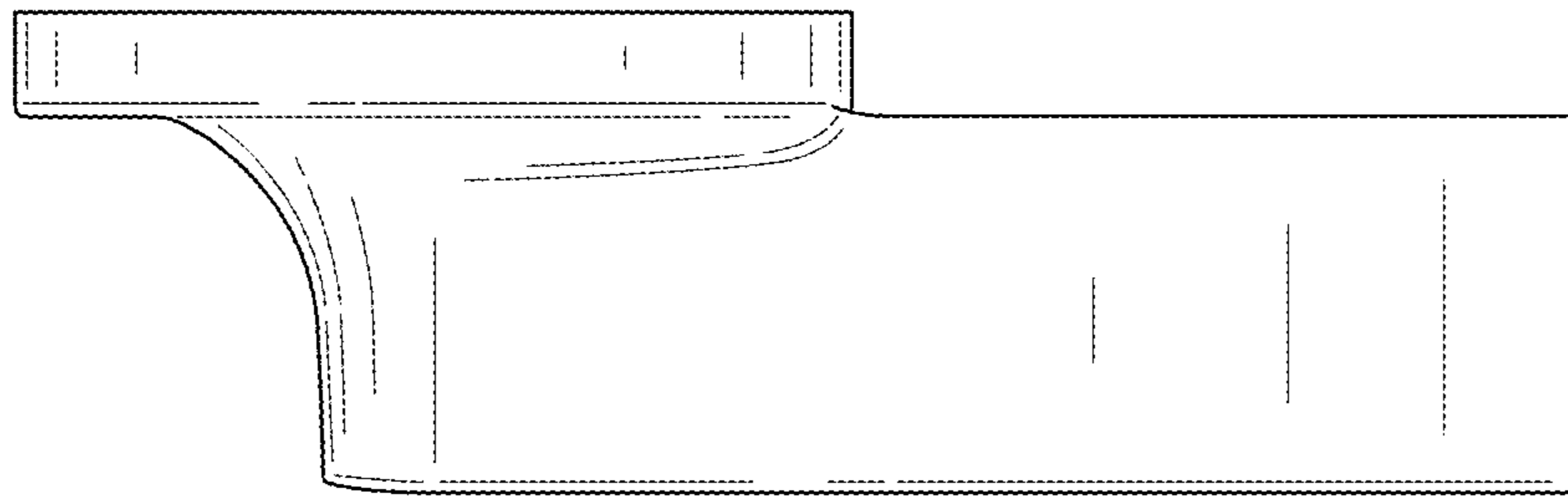


FIG. 20

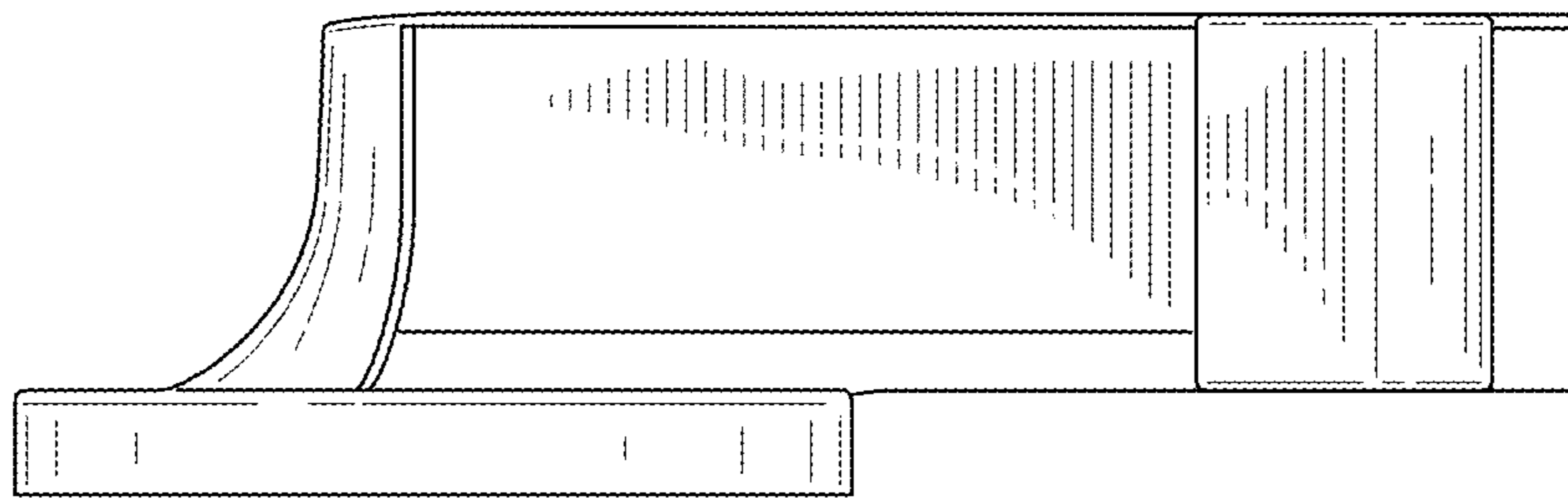


FIG. 21

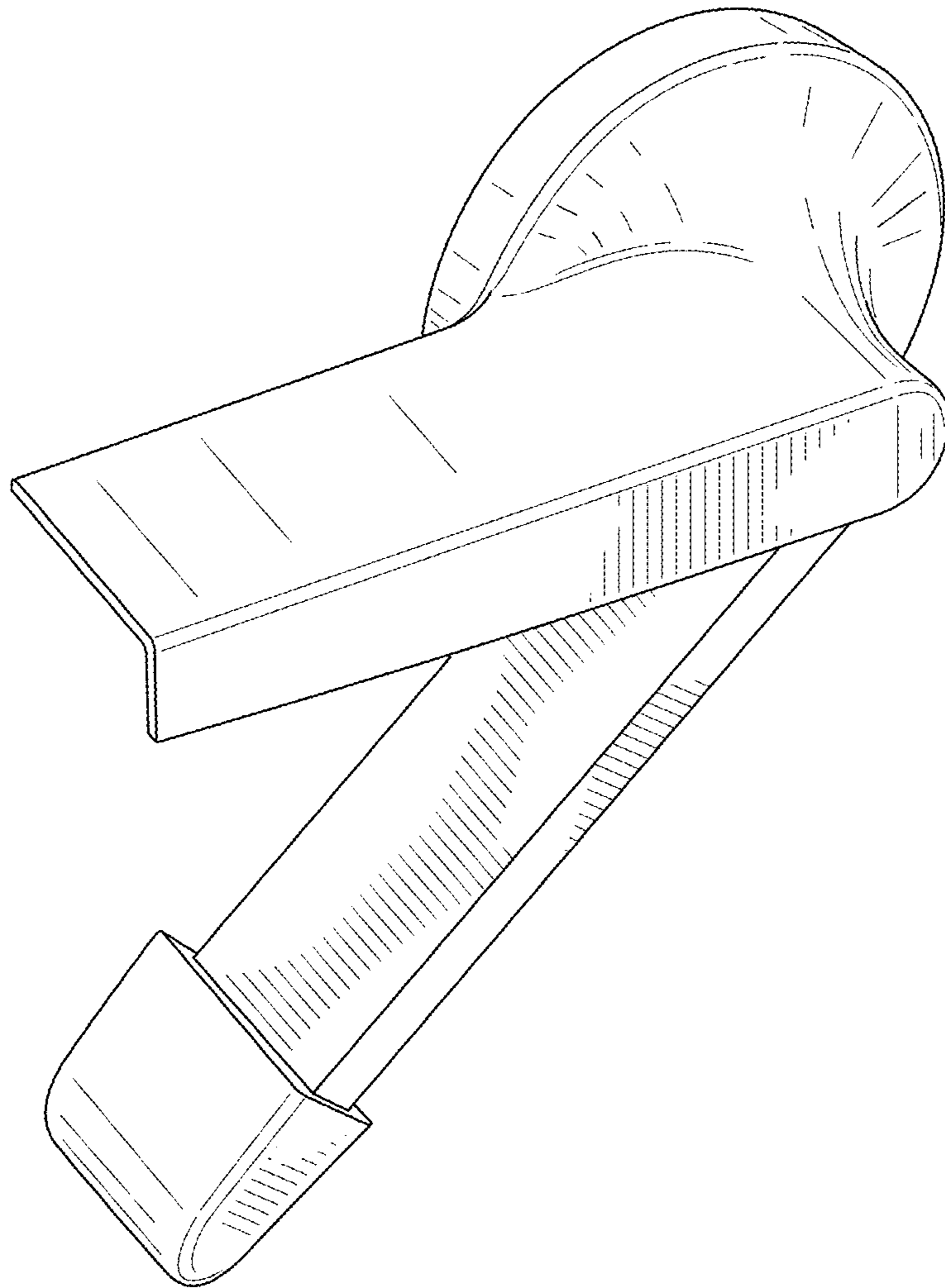
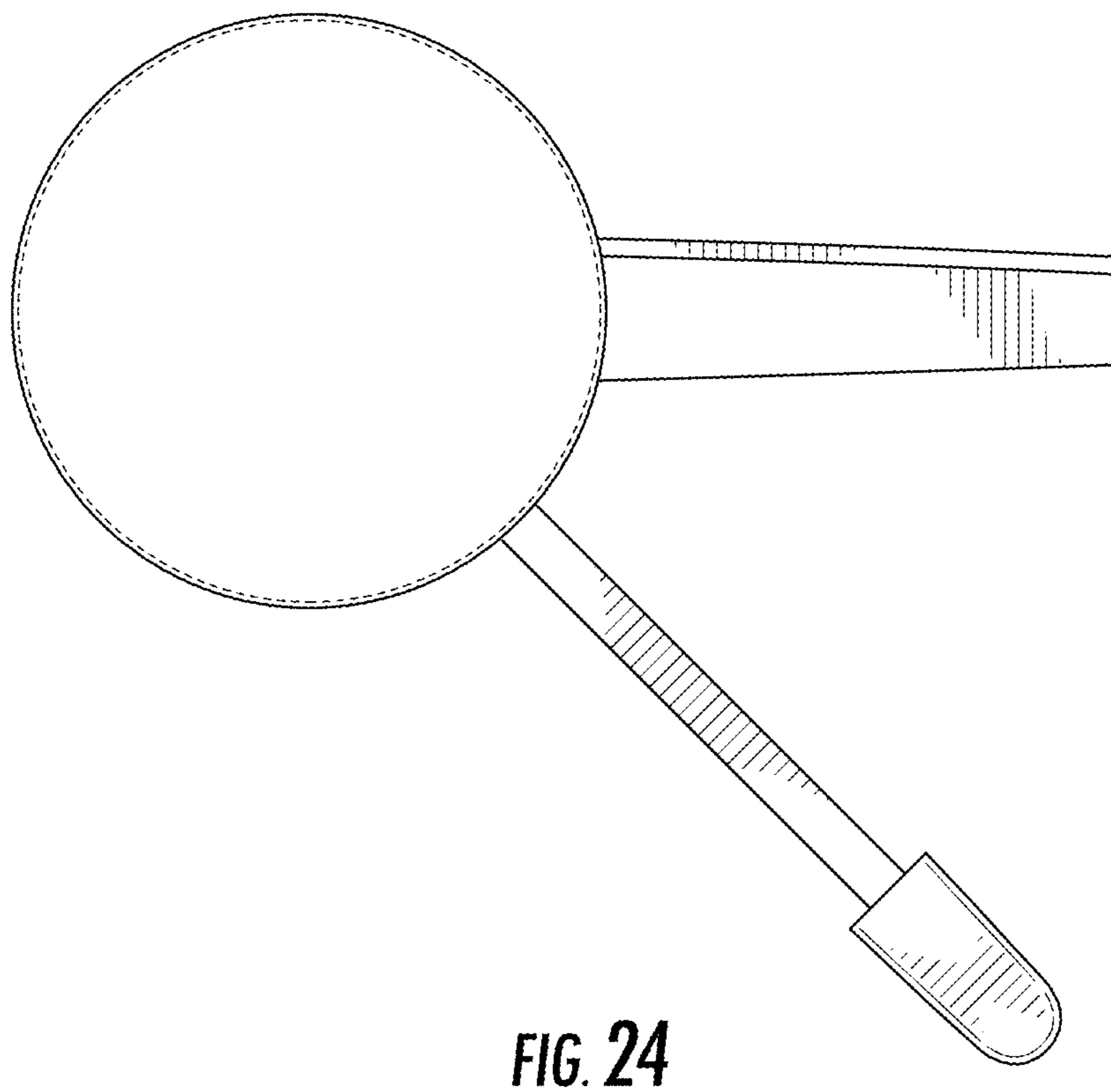
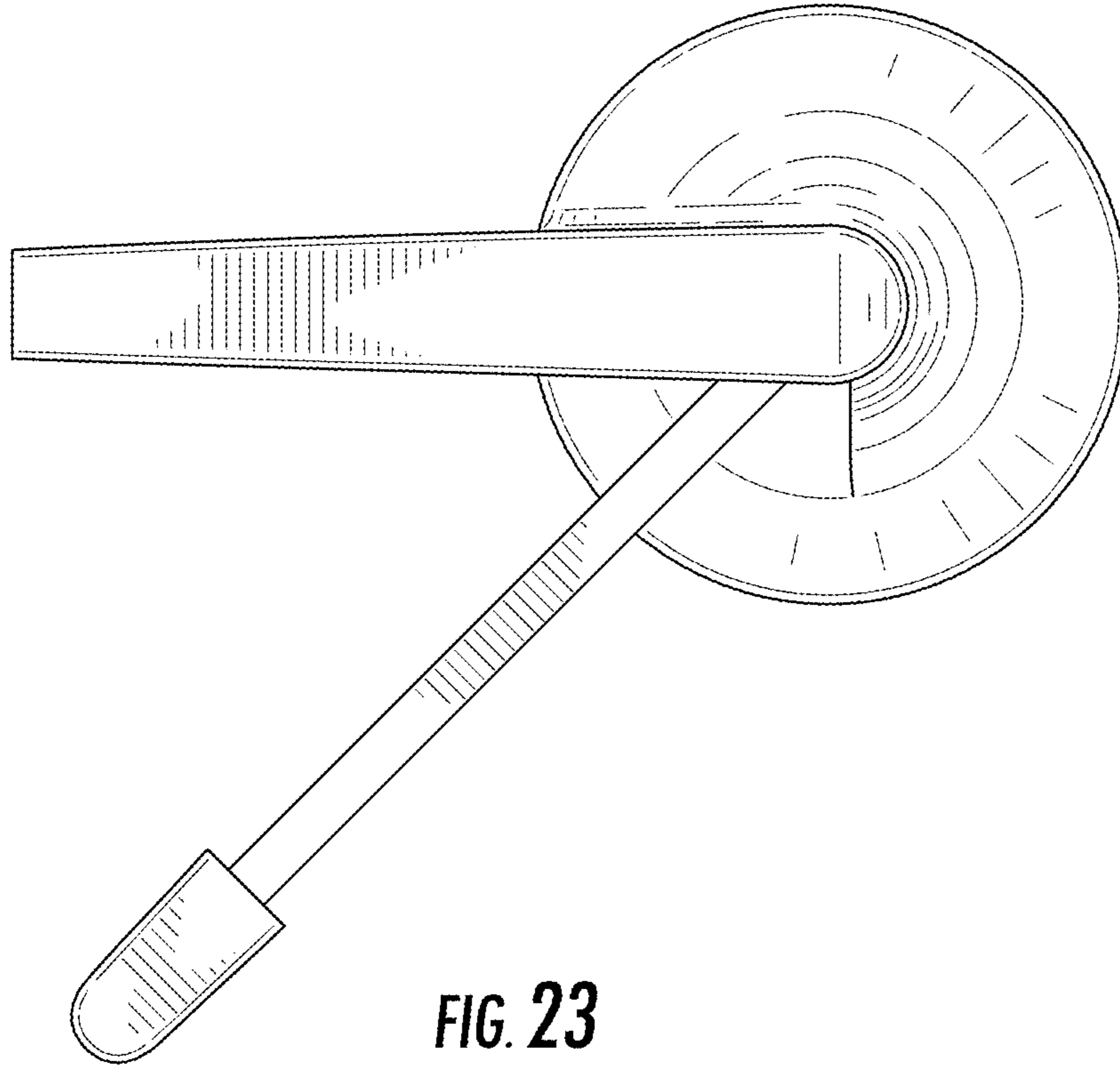


FIG. 22



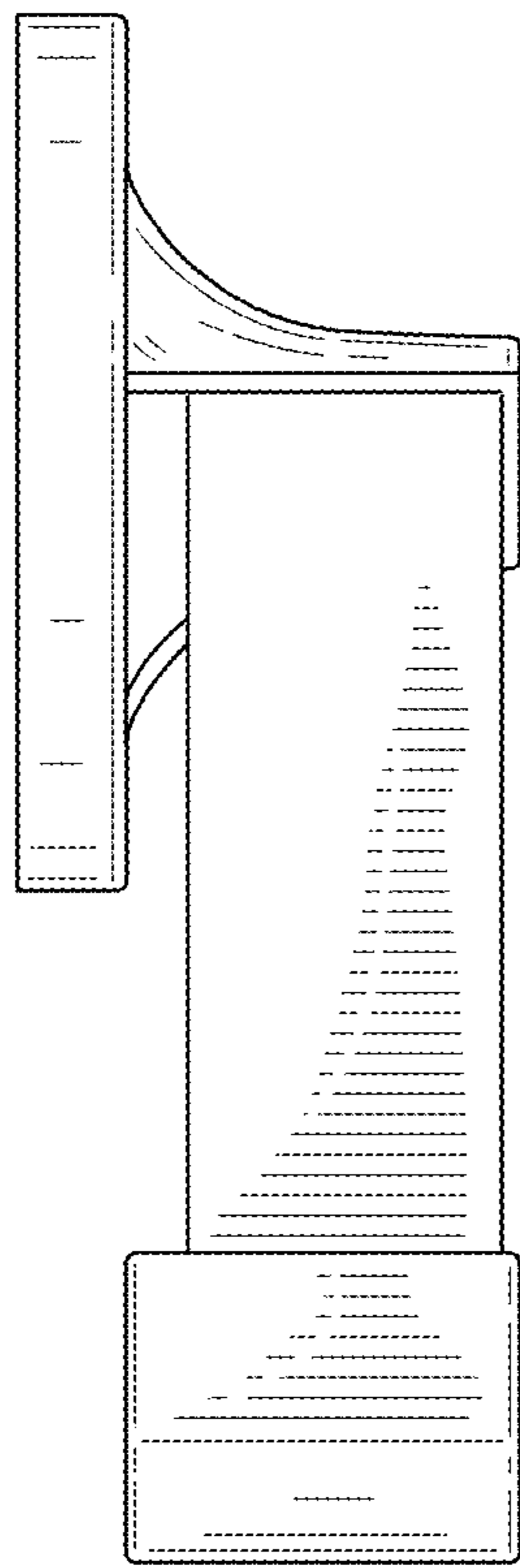


FIG. 25

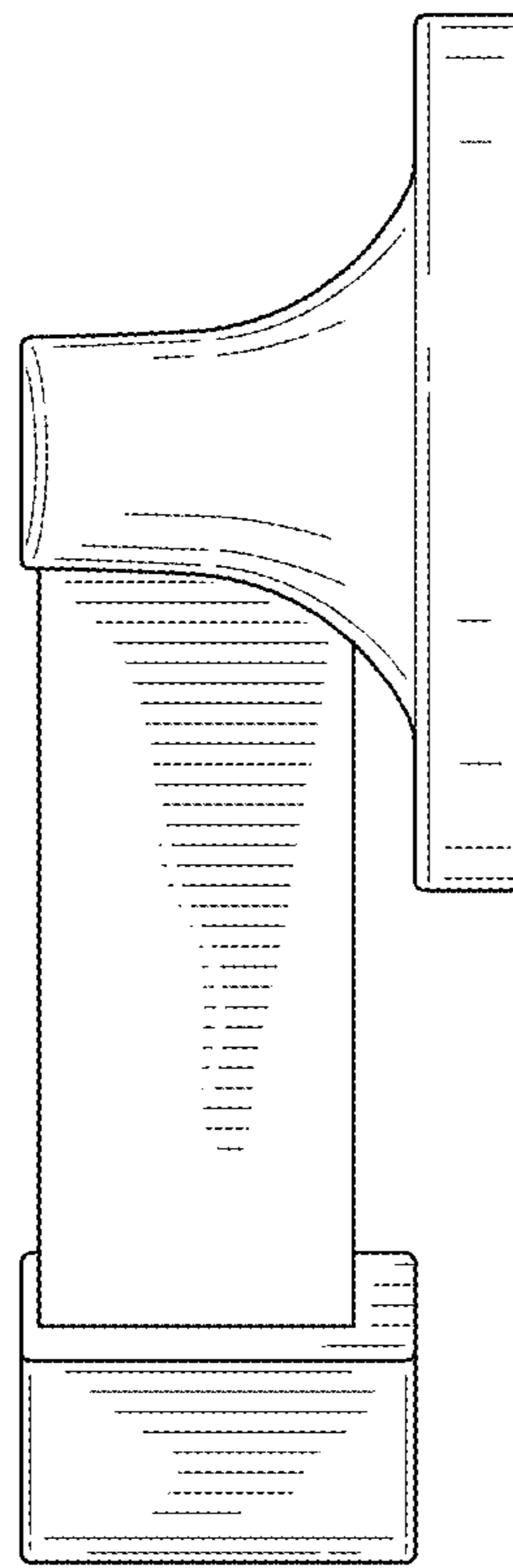


FIG. 26

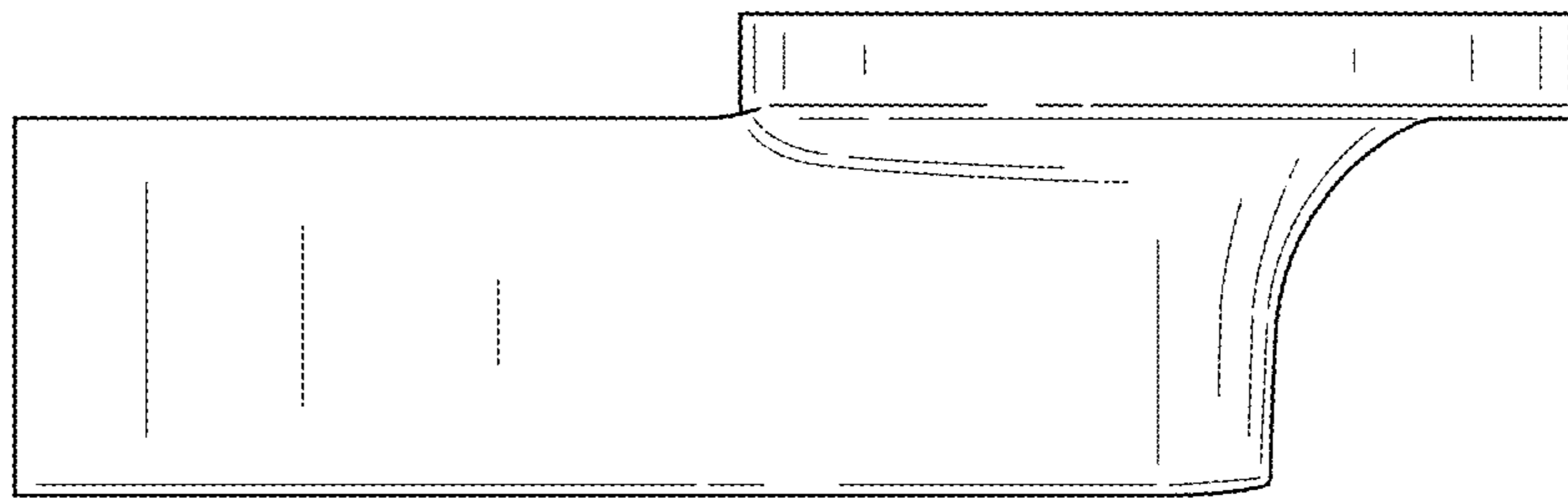


FIG. 27

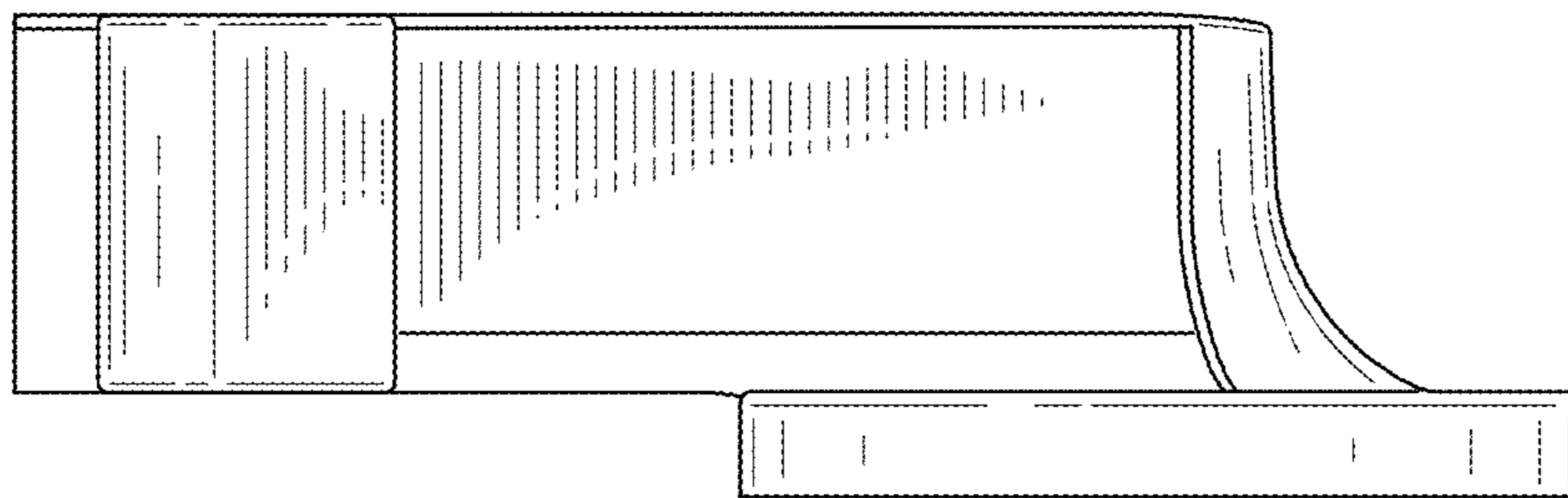


FIG. 28