



US00D703292S

(12) **United States Design Patent**  
**Vedantam et al.**

(10) **Patent No.:** **US D703,292 S**  
(45) **Date of Patent:** **\*\* Apr. 22, 2014**

(54) **PLATE**

(71) Applicants: **Robert Bosch Tool Corporation**,  
Broadview, IL (US); **Robert Bosch GmbH**,  
Stuttgart (DE)

(72) Inventors: **Kalyan Vedantam**, Peoria, ID (US);  
**Alfredo Farne**, Embu (BR)

(73) Assignee: **Robert Bosch GmbH**, Stuttgart (DE)

(\*\*) Term: **14 Years**

(21) Appl. No.: **29/453,331**

(22) Filed: **Apr. 26, 2013**

(51) **LOC (10) Cl.** ..... **23-01**

(52) **U.S. Cl.**  
USPC ..... **D23/221**; D8/381

(58) **Field of Classification Search**  
USPC ..... D23/214, 216, 221; 239/242, 273, 276;  
D8/381; 108/152  
See application file for complete search history.

(56) **References Cited**

U.S. PATENT DOCUMENTS

D327,839 S \* 7/1992 Stumpf et al. .... D8/381  
D336,605 S \* 6/1993 Lemmerman et al. .... D8/381  
D361,931 S \* 9/1995 Cesler ..... D8/381

D411,738 S \* 6/1999 Raasch et al. .... D8/381  
D547,640 S \* 7/2007 Remmers ..... D8/381  
D554,983 S \* 11/2007 Jones ..... D8/381

\* cited by examiner

*Primary Examiner* — Robin V Webster

(74) *Attorney, Agent, or Firm* — Maginot, Moore & Beck

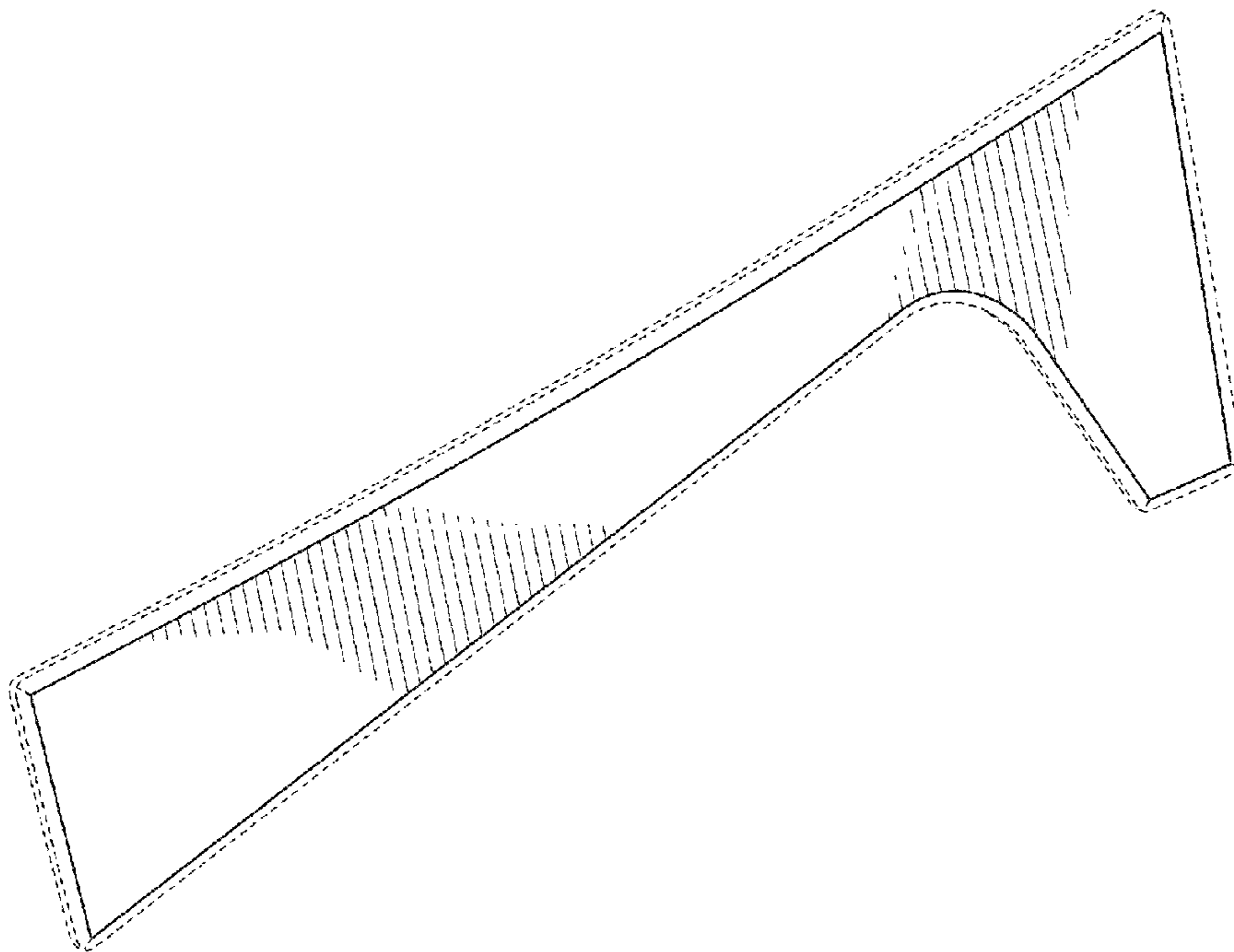
(57) **CLAIM**

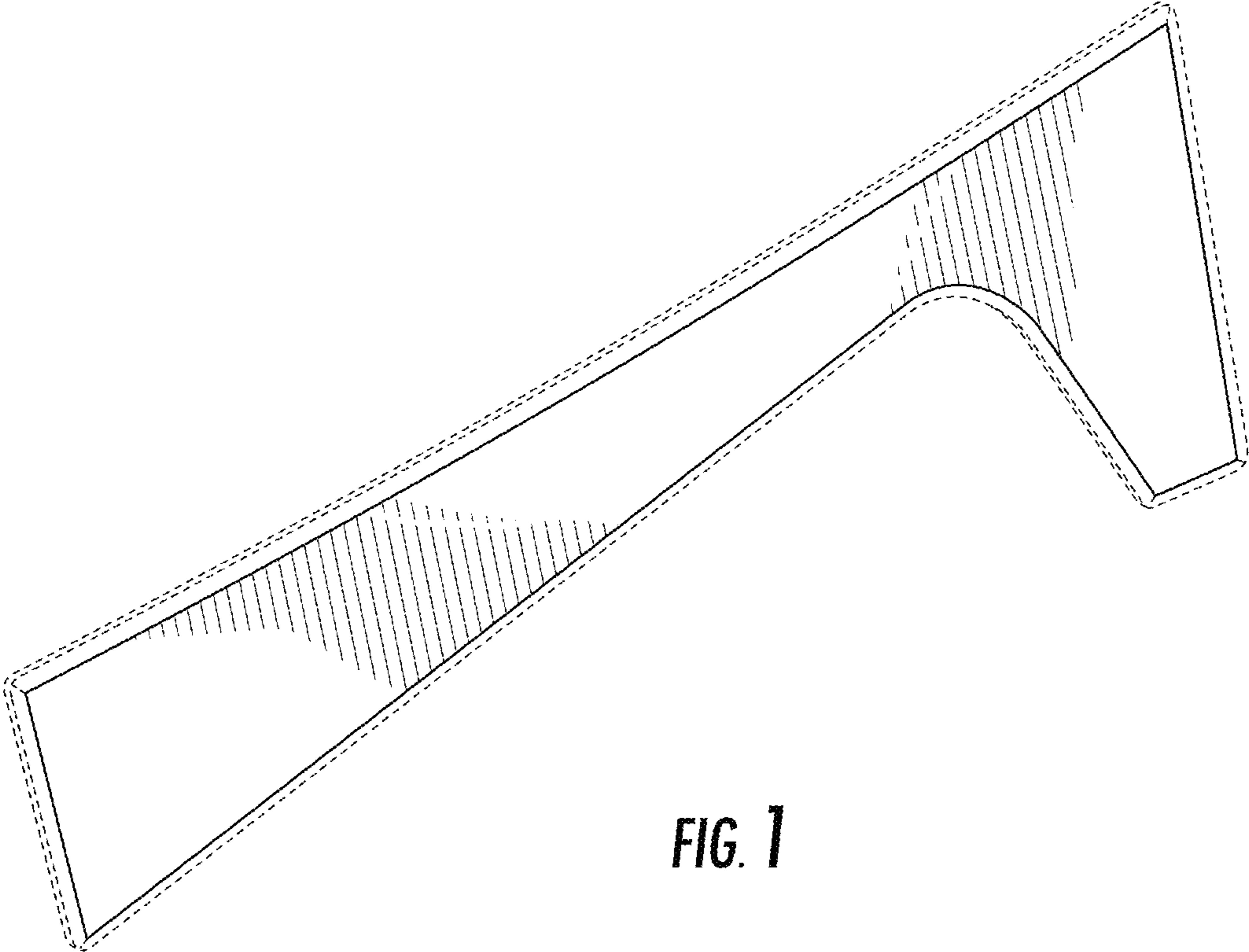
The ornamental design for a plate, as shown and described.

**DESCRIPTION**

FIG. 1 is a perspective view of a plate showing our new design;  
FIG. 2 is a front elevational view showing the design for the plate of FIG. 1;  
FIG. 3 is a rear elevational view showing the design for the plate of FIG. 1;  
FIG. 4 is a left side elevational view showing the design for the plate of FIG. 1;  
FIG. 5 is a right side elevational view showing the design for the plate of FIG. 1;  
FIG. 6 is a top plan view showing the design for the plate of FIG. 1; and,  
FIG. 7 is a bottom plan view showing the design for the plate of FIG. 1.  
The broken line showing of portions of the plate in FIGS. 1-7 is included for illustrative purposes only and forms no part of the claimed design.

**1 Claim, 4 Drawing Sheets**





**FIG. 1**

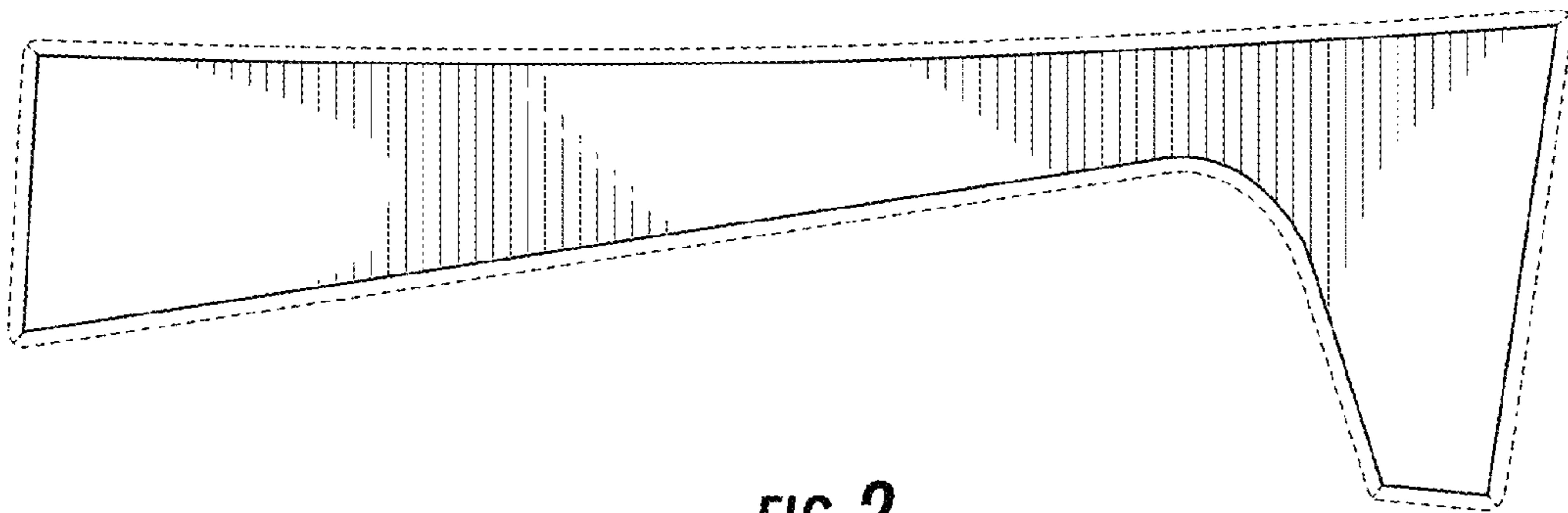


FIG. 2

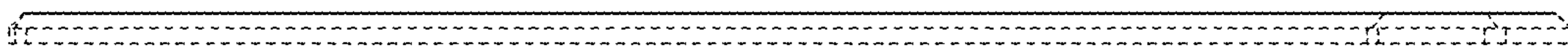
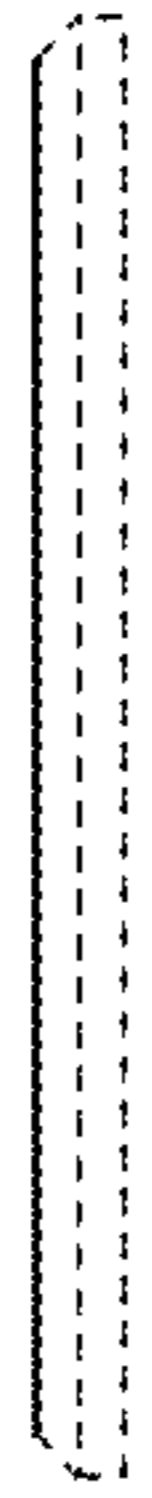


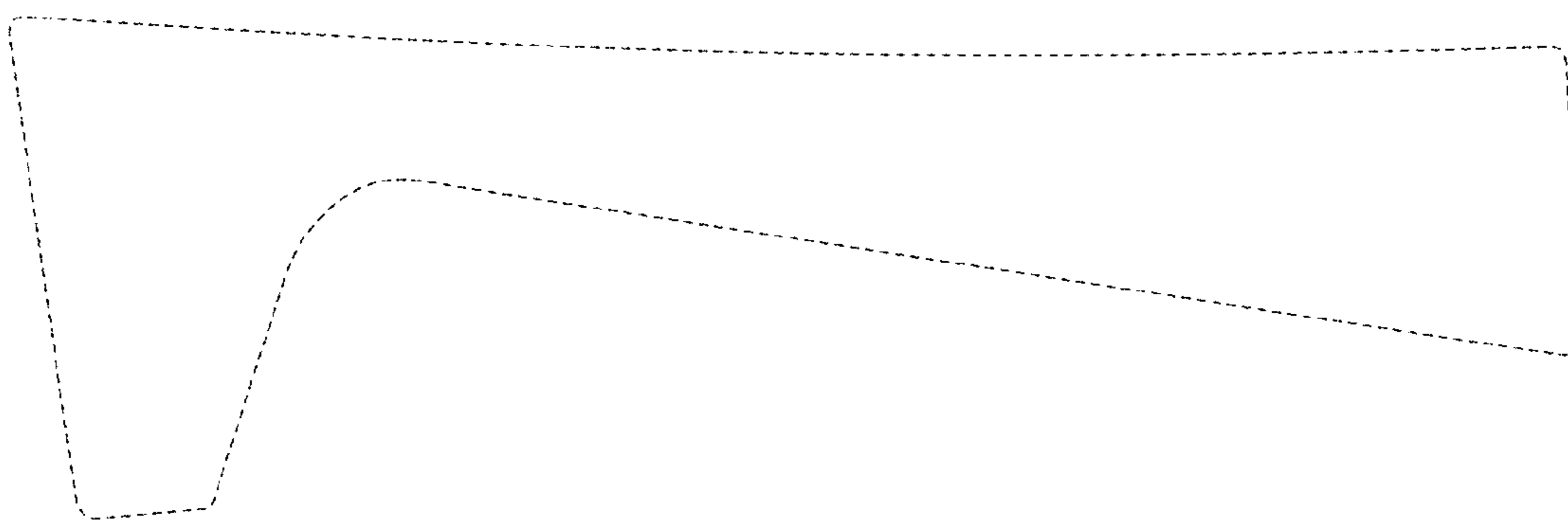
FIG. 3



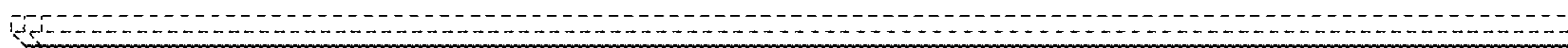
**FIG. 4**



**FIG. 5**



**FIG. 6**



**FIG. 7**