



US00D703287S

(12) **United States Design Patent**  
**Hendershot**

(10) **Patent No.:** **US D703,287 S**

(45) **Date of Patent:** **\*\* Apr. 22, 2014**

(54) **FISHING LURE**

(74) *Attorney, Agent, or Firm* — Workman Nydegger

(71) Applicant: **Christopher Hendershot**, St. George,  
UT (US)

(57) **CLAIM**  
The ornamental design for a fishing lure, as shown and described.

(72) Inventor: **Christopher Hendershot**, St. George,  
UT (US)

(\*\*) Term: **14 Years**

**DESCRIPTION**

(21) Appl. No.: **29/465,203**

FIG. 1 is a perspective view of a fishing lure showing the new design;

(22) Filed: **Aug. 26, 2013**

FIG. 2 is a left side elevational view thereof, of which the right side is a mirror image;

(51) **LOC (10) Cl.** ..... **22-05**

FIG. 3 is a front elevational view thereof;

(52) **U.S. Cl.**

FIG. 4 is a rear elevational view thereof;

USPC ..... **D22/128**

FIG. 5 is a bottom plan view thereof; and

(58) **Field of Classification Search**

FIG. 6 is a top plan view thereof.

USPC ..... D22/126–133; 43/42.24, 42.05, 42.36,  
43/42.09, 42.35, 42.13, 42.26, 42.49,  
43/42.23

FIG. 7 is a perspective view of a fishing lure showing a second embodiment of the new design;

See application file for complete search history.

FIG. 8 is a left side elevational view of the second embodiment thereof, of which the right side is a mirror image;

(56) **References Cited**

FIG. 9 is a front elevational view of the second embodiment thereof;

**U.S. PATENT DOCUMENTS**

FIG. 10 is a rear elevational view of the second embodiment thereof;

D278,926 S \* 5/1985 Bagley ..... D22/128

FIG. 11 is a top plan view of the second embodiment thereof; and

D333,174 S \* 2/1993 Coggins ..... D22/128

FIG. 12 is a bottom plan view of the second embodiment thereof; and,

D335,327 S \* 5/1993 Fisher ..... D22/128

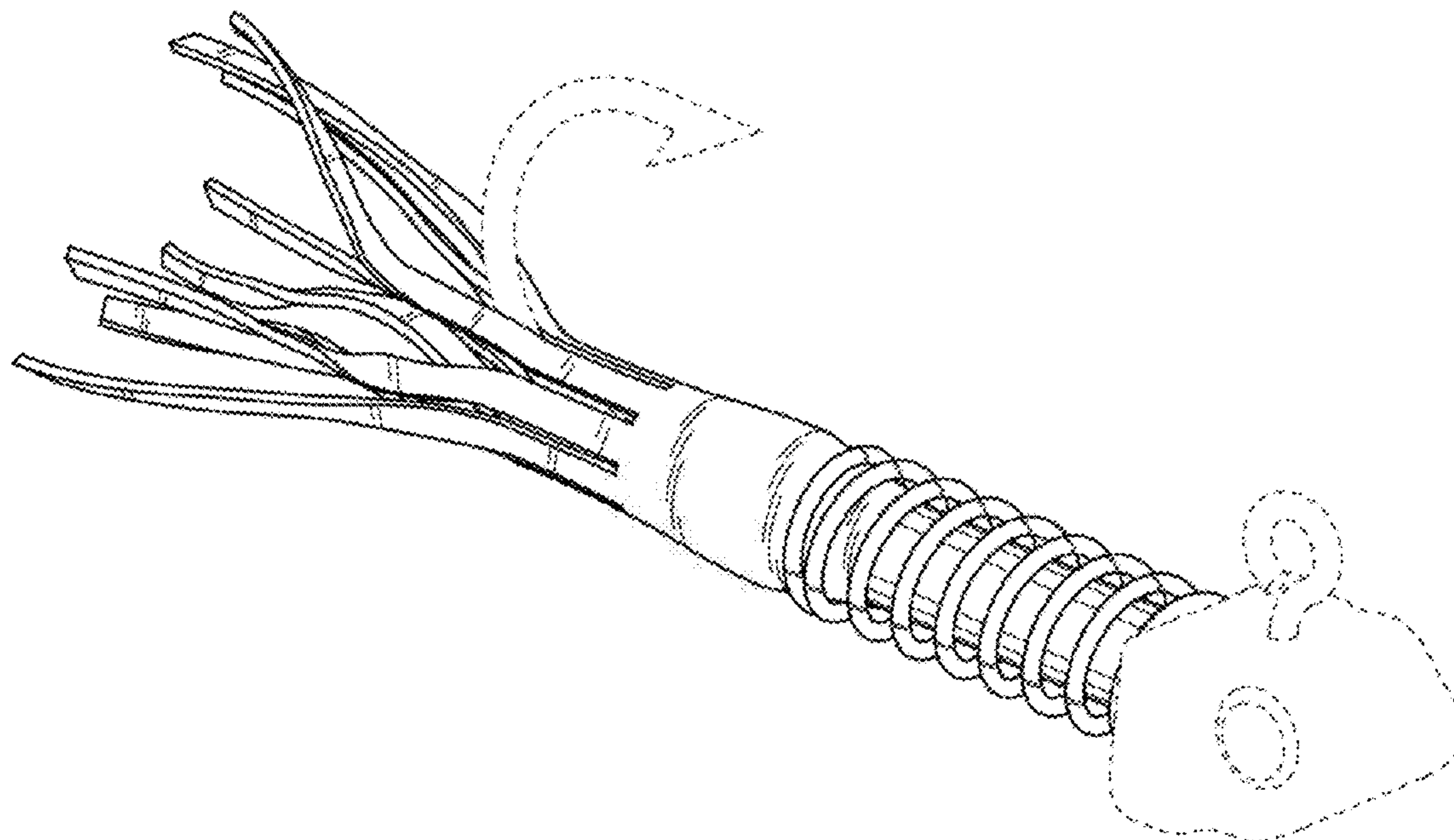
FIG. 13 is a cross-sectional view of a fishing lure showing the new design.

D456,059 S \* 4/2002 Bailey ..... D22/128

\* cited by examiner

*Primary Examiner* — Catheri Oliver-Garcia

**1 Claim, 9 Drawing Sheets**



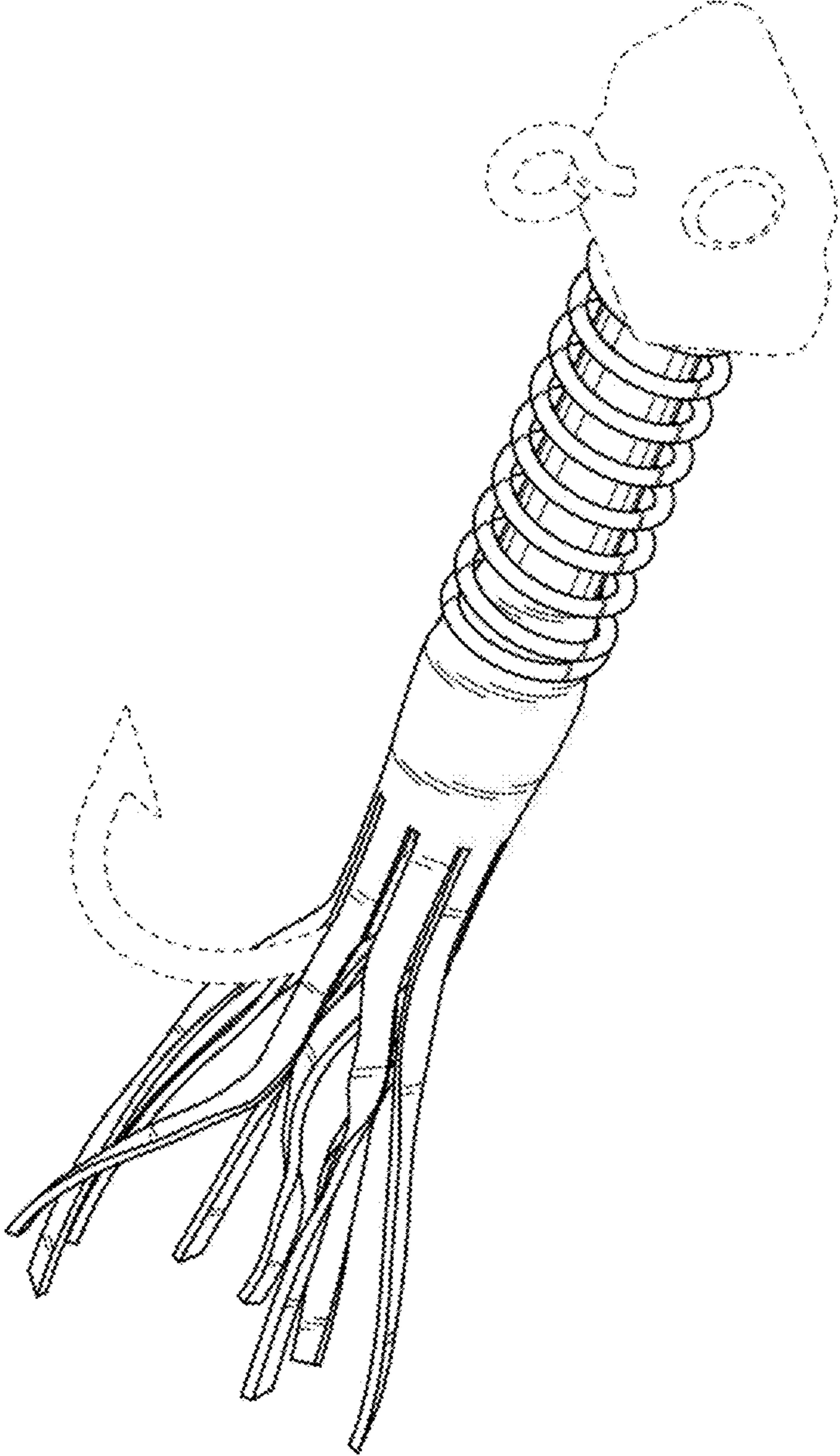


FIG. 1

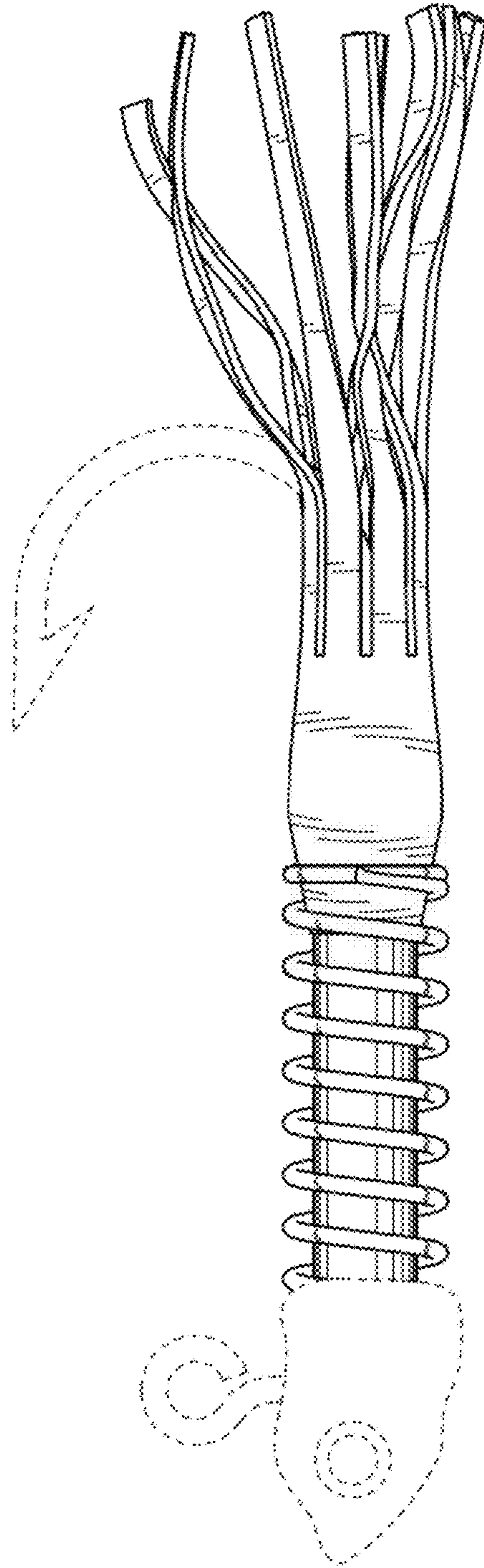


FIG. 2

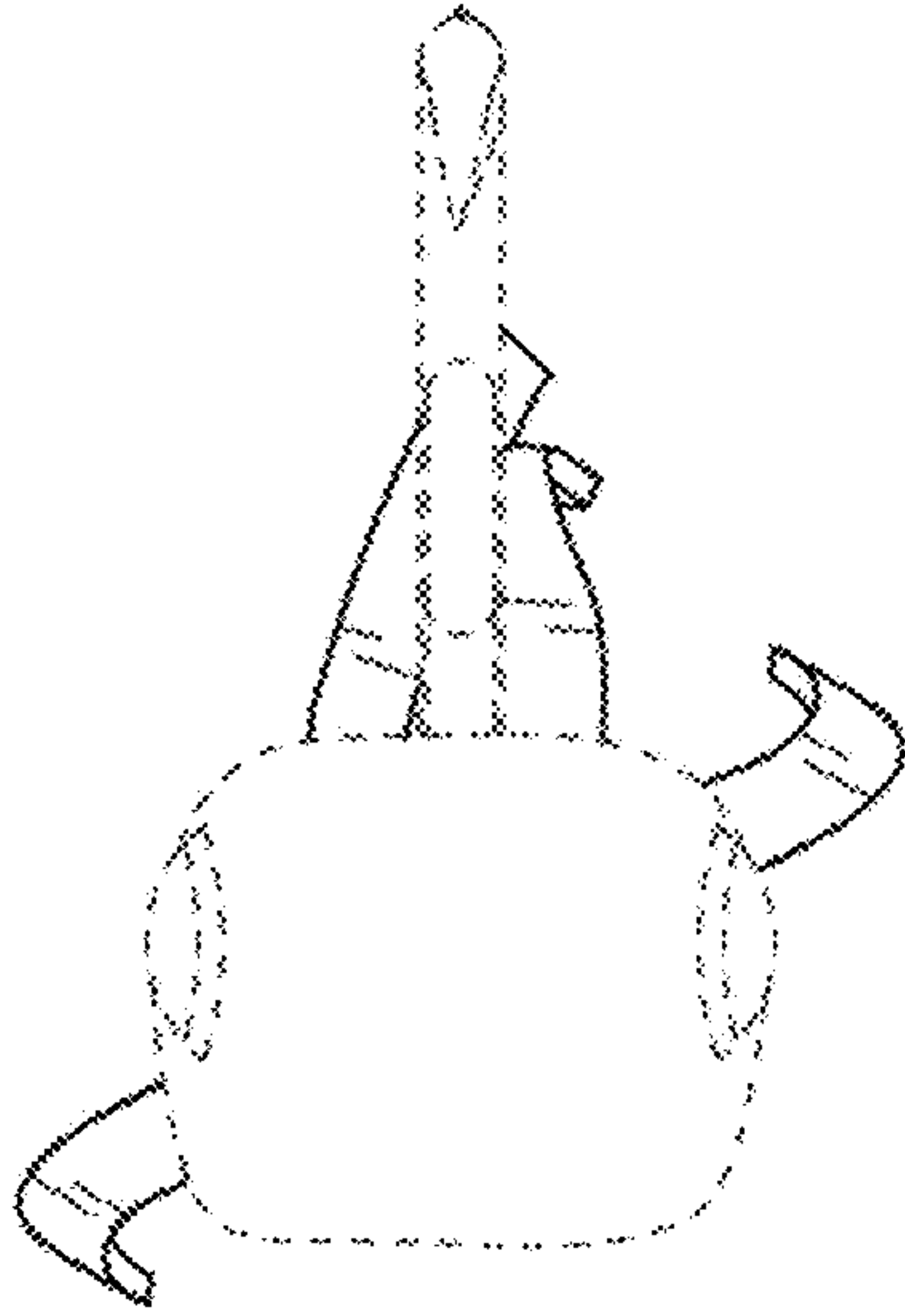


FIG. 3

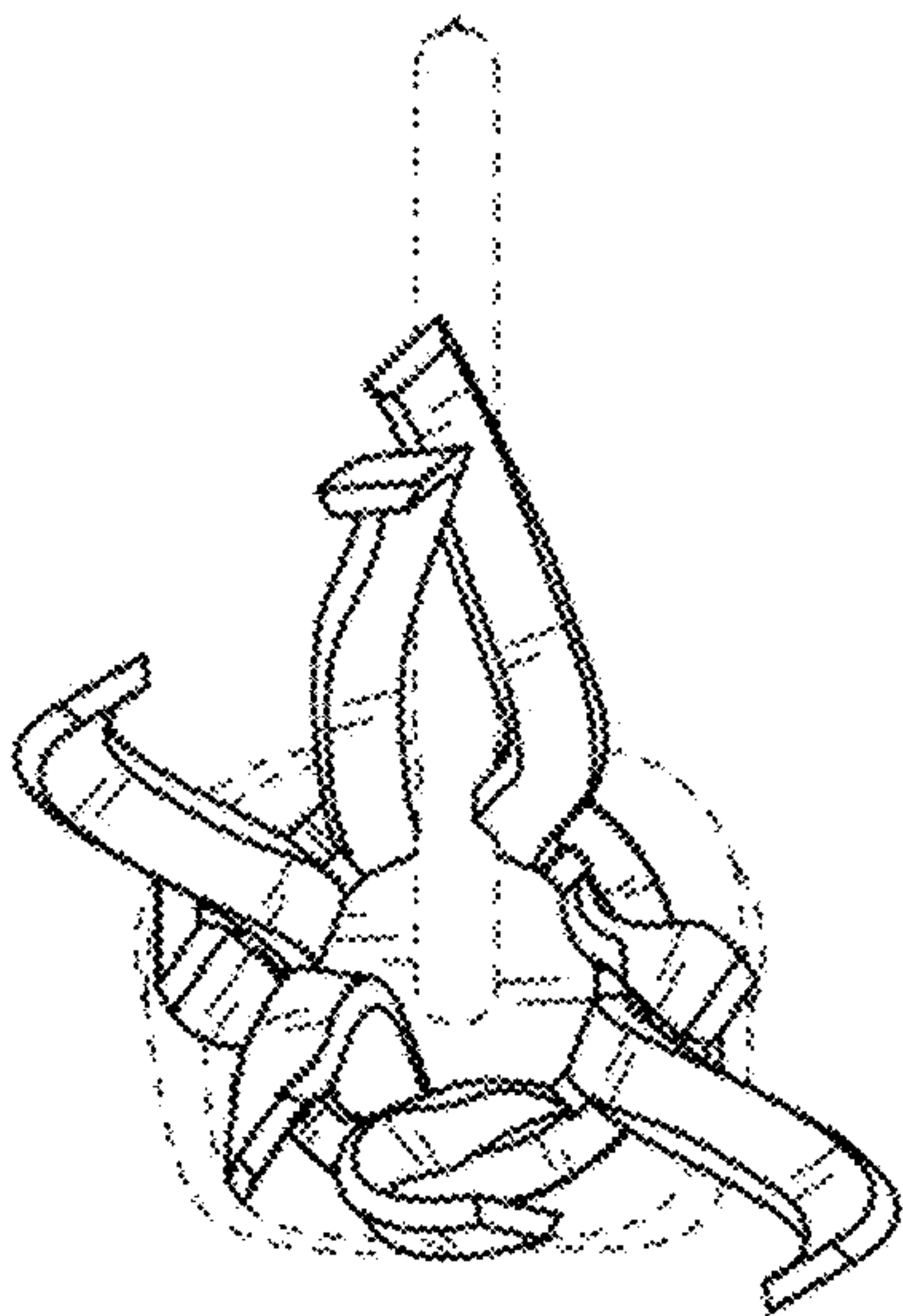


FIG. 4



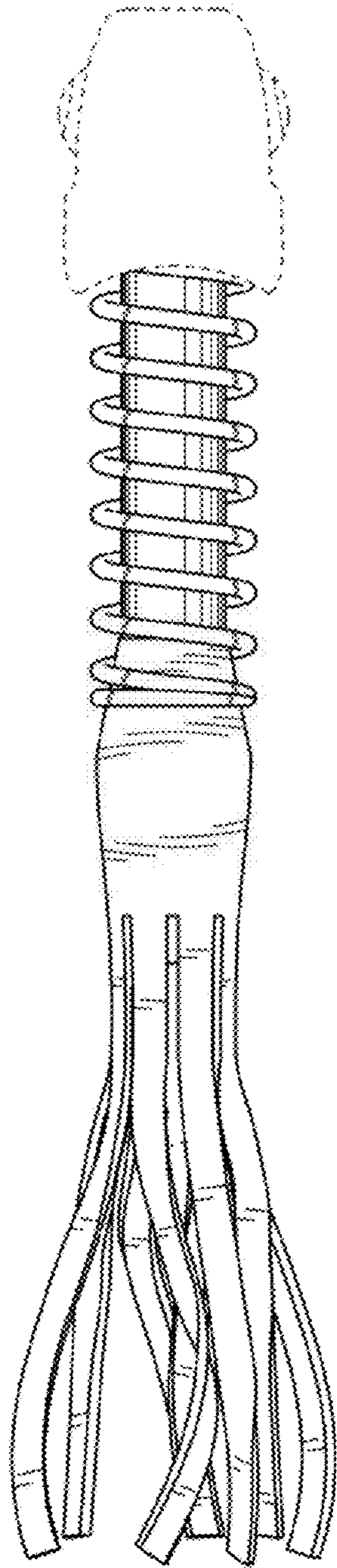


FIG. 5

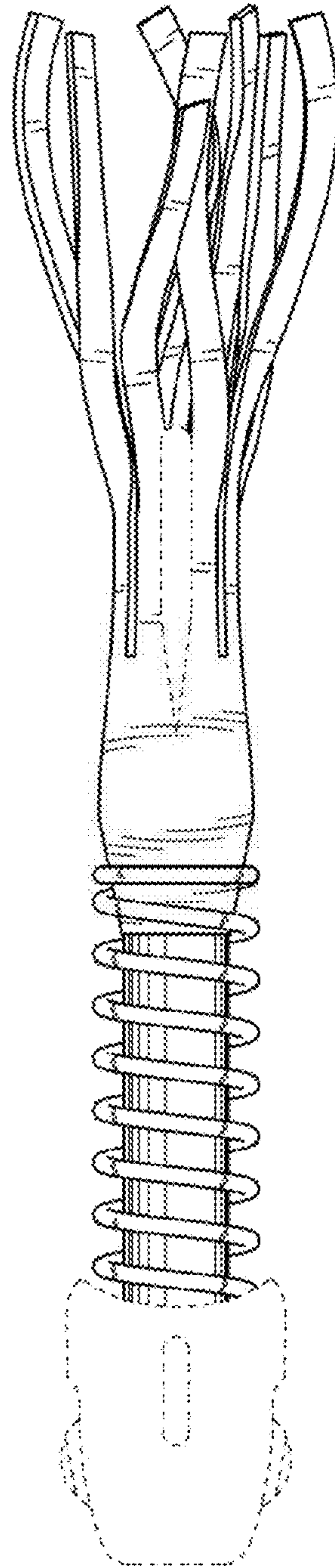


FIG. 6

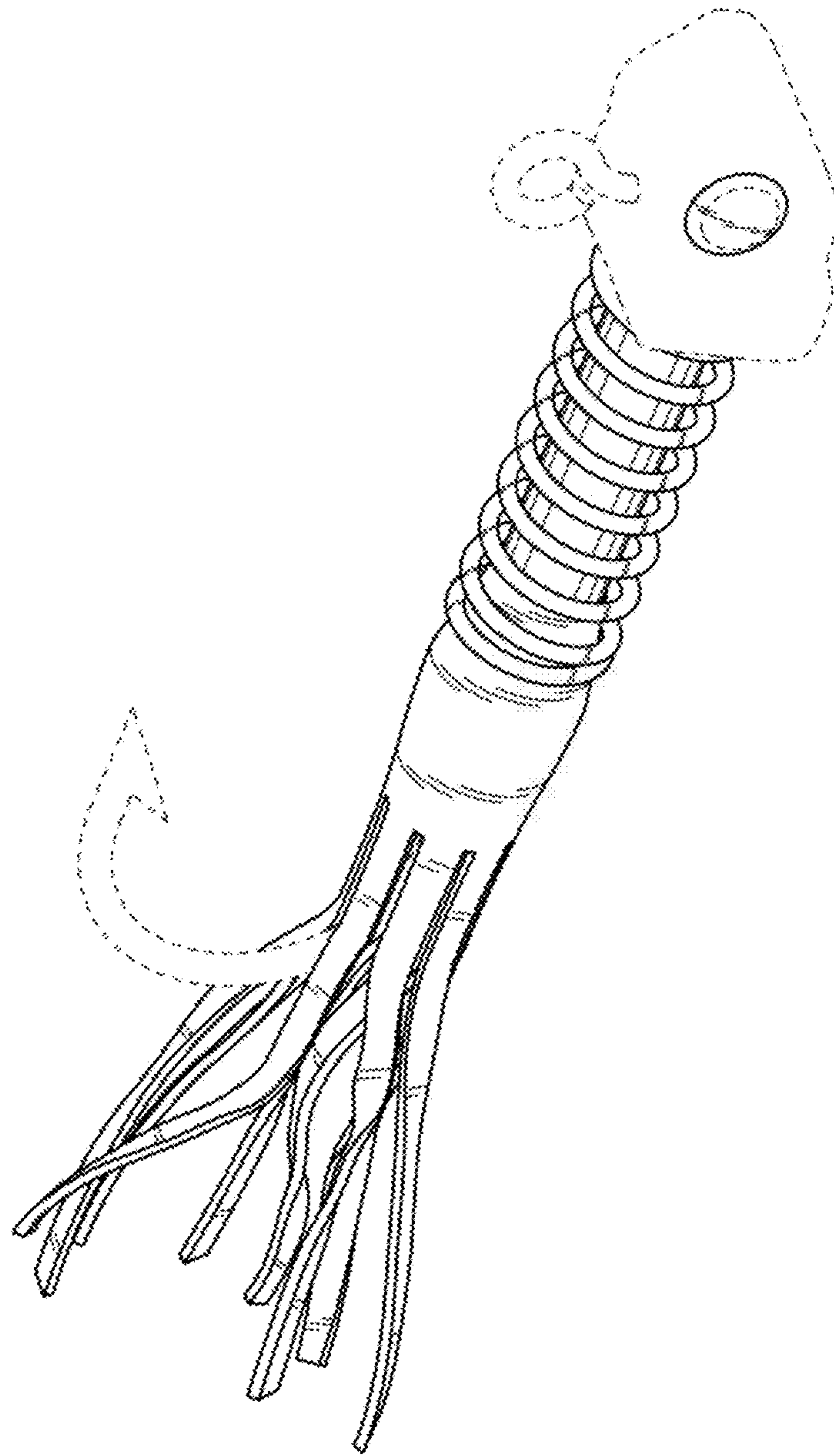


FIG. 7

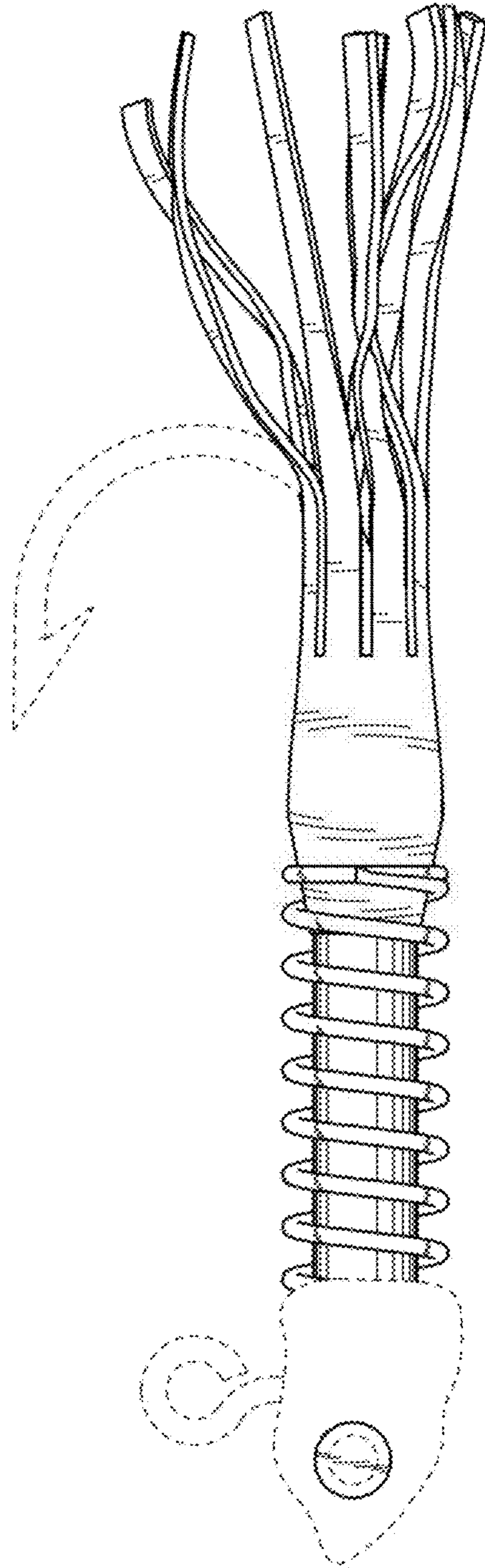


FIG. 8

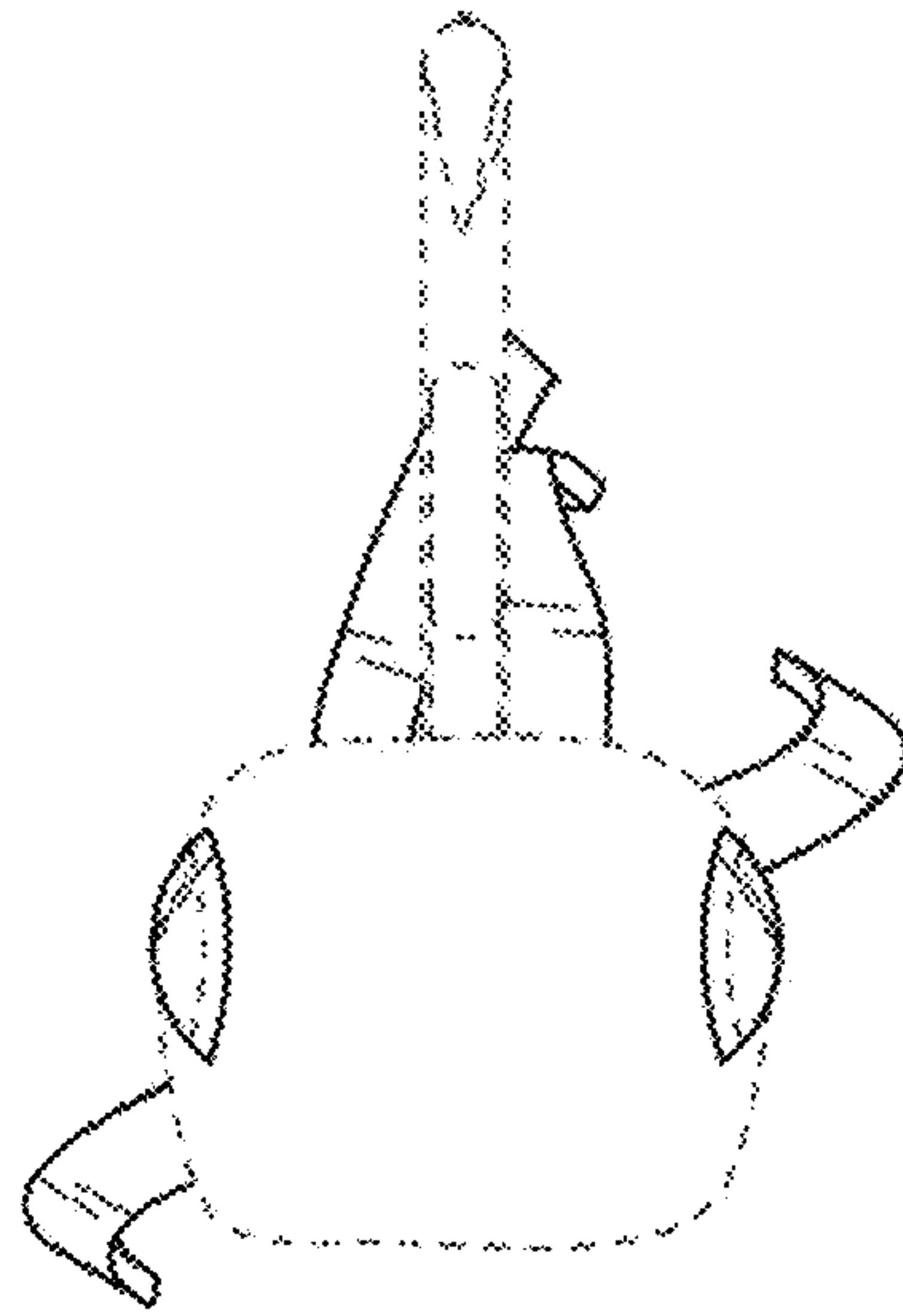


FIG. 9

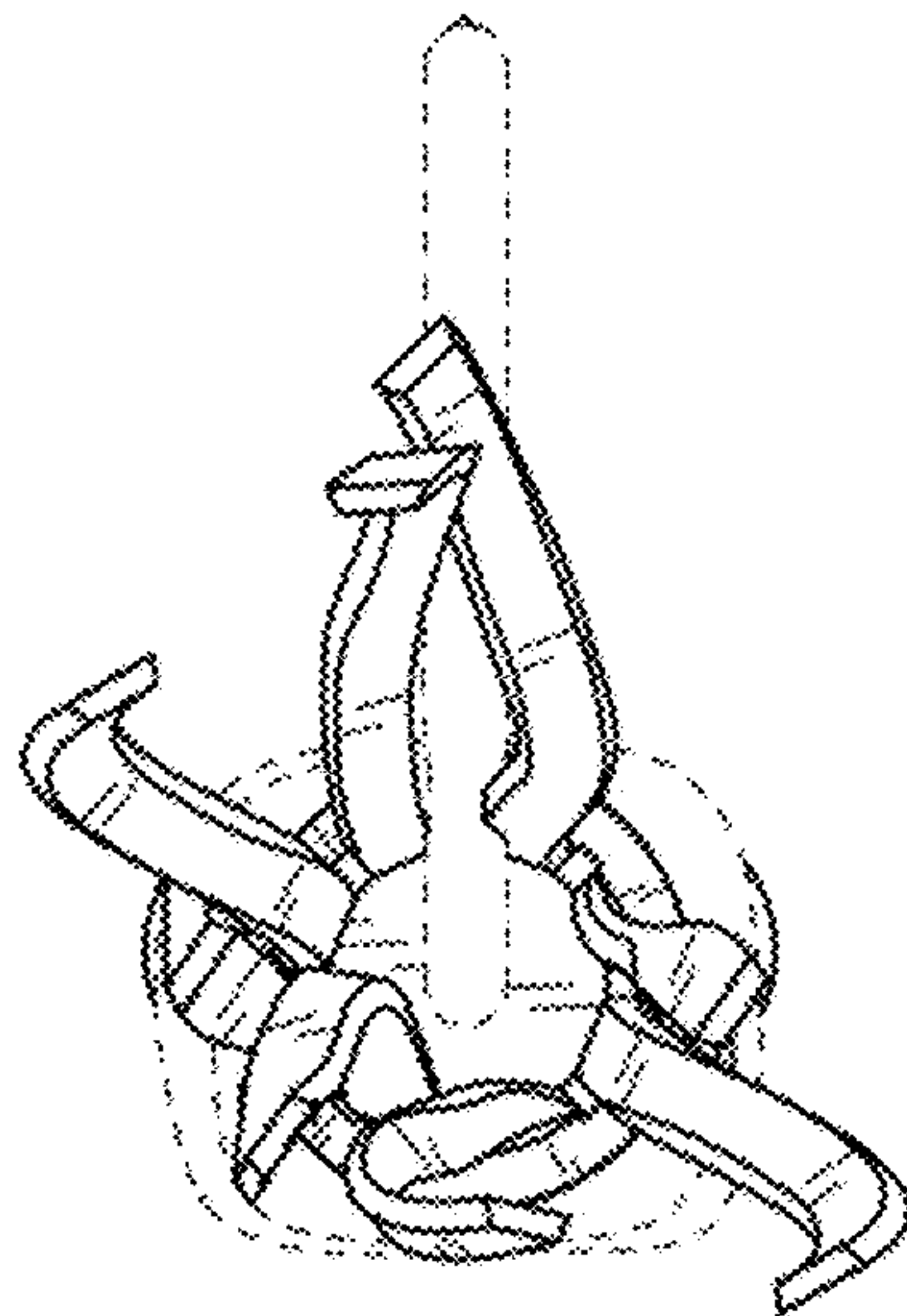


FIG. 10



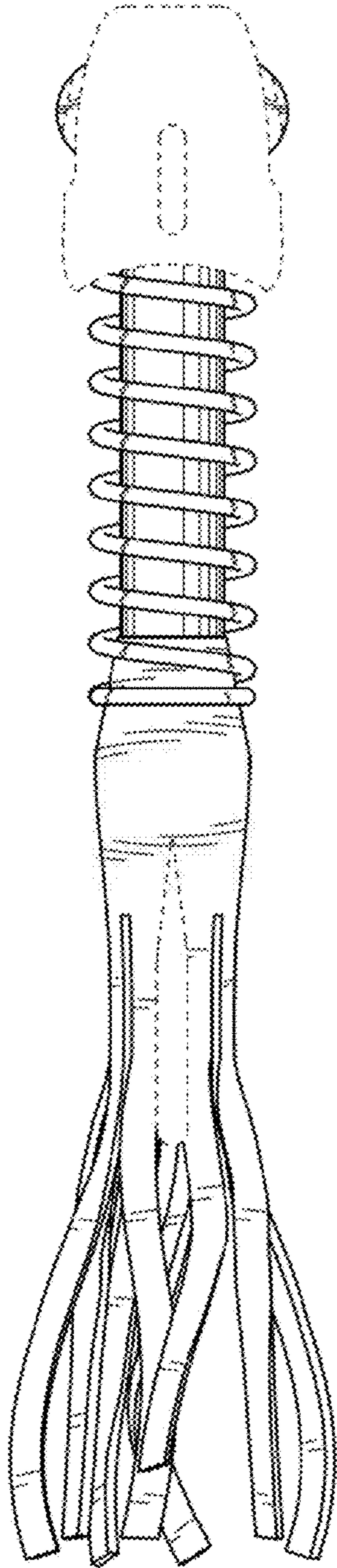


FIG. 11

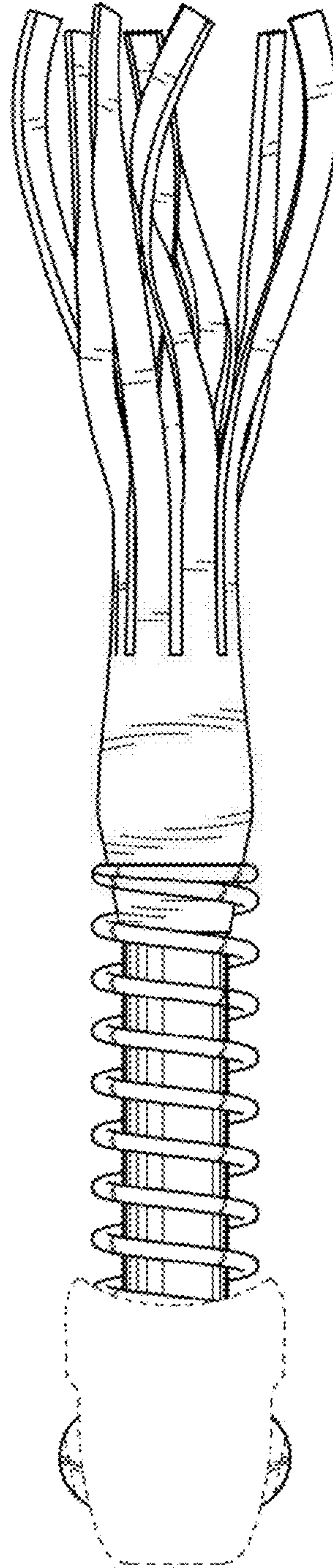


FIG. 12

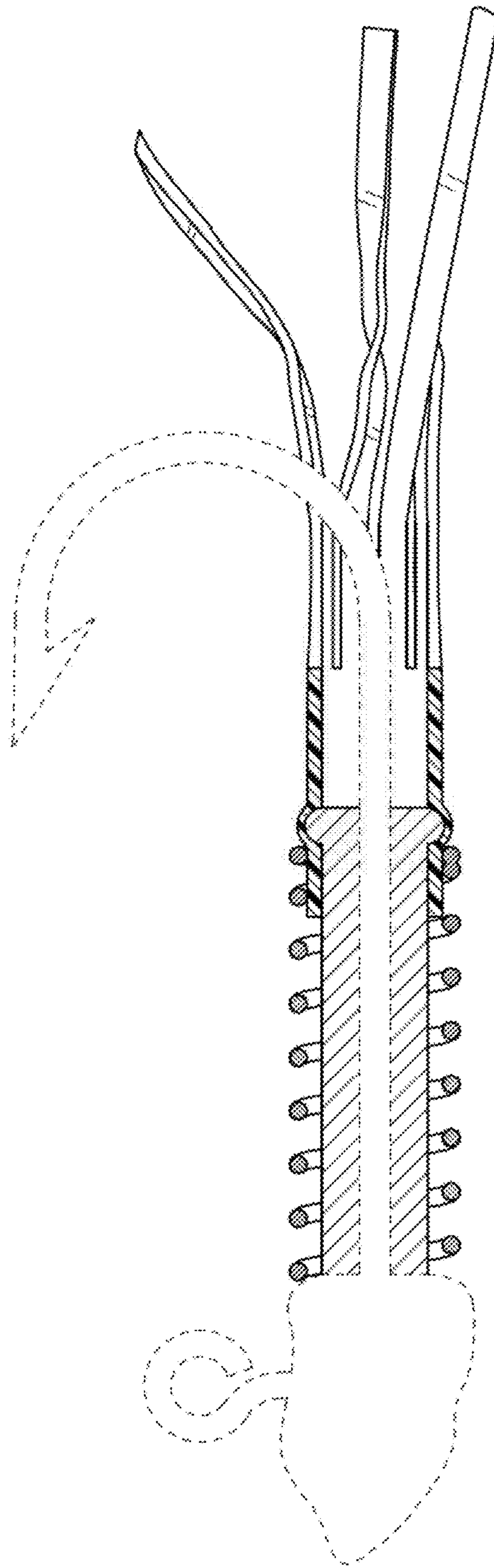


FIG. 13