



US00D703286S

(12) **United States Design Patent**  
**Chen et al.**

(10) **Patent No.:** **US D703,286 S**  
(45) **Date of Patent:** **\*\* Apr. 22, 2014**

(54) **RAILED FOREARM FOR AR-15 STYLE RIFLES**

(71) Applicants: **Joseph Chen**, San Diego, CA (US);  
**Marc Fernandez**, San Diego, CA (US)

(72) Inventors: **Joseph Chen**, San Diego, CA (US);  
**Marc Fernandez**, San Diego, CA (US)

(\*\*) Term: **14 Years**

(21) Appl. No.: **29/436,158**

(22) Filed: **Nov. 1, 2012**

(51) **LOC (10) Cl.** ..... **22-01**

(52) **U.S. Cl.**  
USPC ..... **D22/108**

(58) **Field of Classification Search**  
USPC ..... D22/100, 108-110, 199; 248/201,  
248/205.1; 42/11, 72, 90, 85, 71.01, 75.02,  
42/106, 113-114, 124-125, 127-128  
See application file for complete search history.

(56) **References Cited**

U.S. PATENT DOCUMENTS

D477,855 S *	7/2003	Selvaggio	.....	D22/108
7,059,076 B2 *	6/2006	Stoner et al.	.....	42/75.01
7,356,958 B2 *	4/2008	Weir	.....	42/69.01
D606,156 S *	12/2009	Swan	.....	D22/108

D607,958 S *	1/2010	Swan	.....	D22/108
D616,520 S *	5/2010	Starnes	.....	D22/108
D616,521 S *	5/2010	Starnes	.....	D22/108
8,069,604 B2 *	12/2011	Larue	.....	42/75.1
D692,516 S *	10/2013	Yan et al.	.....	D22/108
2007/0199435 A1 *	8/2007	Hochstrate et al.	.....	89/191.02
2009/0038198 A1 *	2/2009	Yu	.....	42/90
2010/0192443 A1 *	8/2010	Cabahug et al.	.....	42/71.02
2010/0319231 A1 *	12/2010	Stone et al.	.....	42/71.01
2011/0185617 A1 *	8/2011	Brixius	.....	42/71.01
2013/0276341 A1 *	10/2013	Wells et al.	.....	42/71.01

\* cited by examiner

*Primary Examiner* — Michael A Pratt

(74) *Attorney, Agent, or Firm* — QuickPatents; Kevin Prince

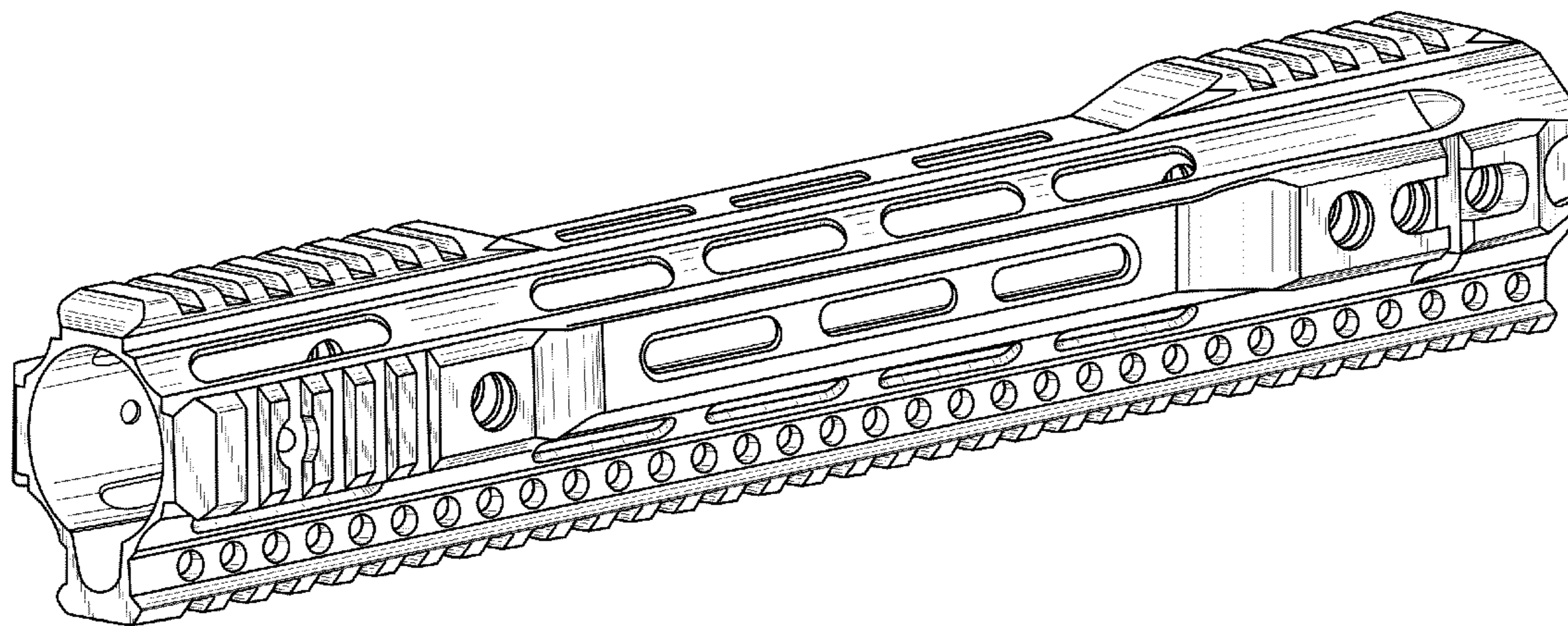
(57) **CLAIM**

We claim the ornamental design for a railed forearm for AR-15 style rifles, as shown and described.

**DESCRIPTION**

FIG. 1 is a front perspective view of a railed forearm for AR-15 style rifles, showing our new design;  
FIG. 2 is a rear perspective view thereof;  
FIG. 3 is a left-side elevational view thereof, the right-side elevational view being a mirror image thereof;  
FIG. 4 is an enlarged front elevational view thereof;  
FIG. 5 is an enlarged rear elevational view thereof;  
FIG. 6 is a top plan view thereof; and,  
FIG. 7 is a bottom plan view thereof.

**1 Claim, 5 Drawing Sheets**



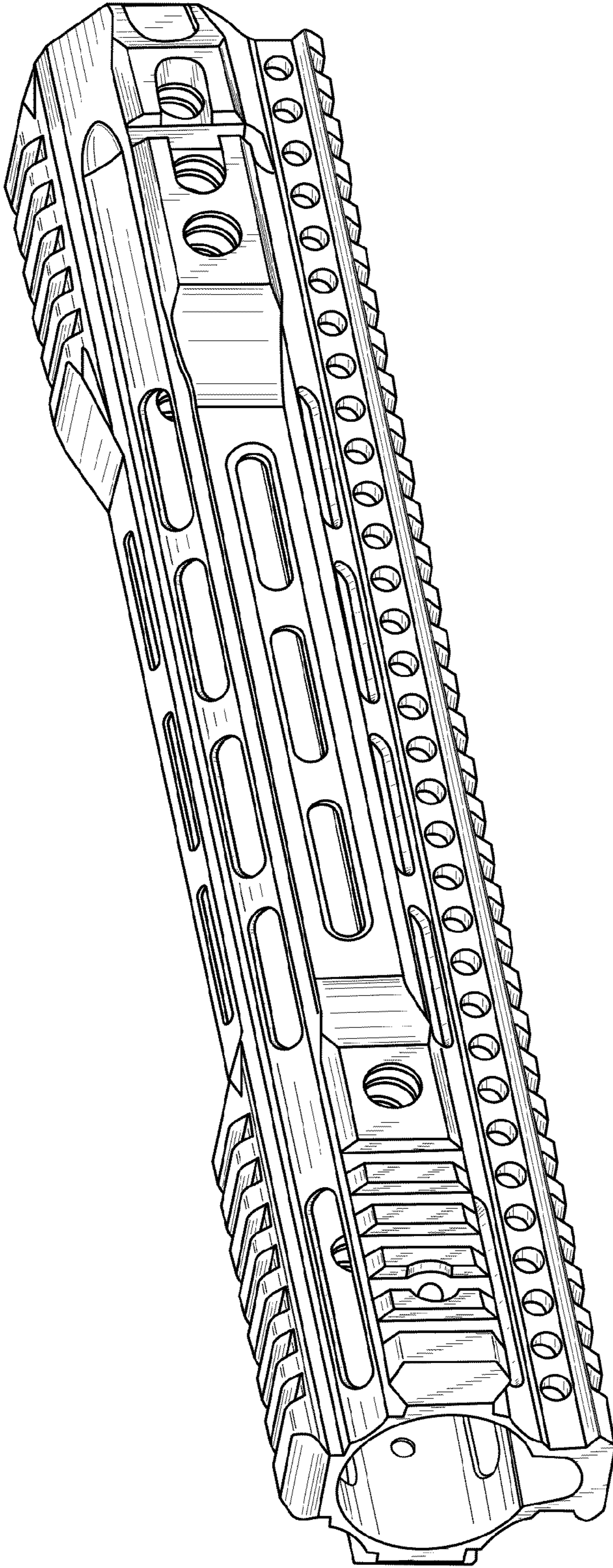


FIG. 1



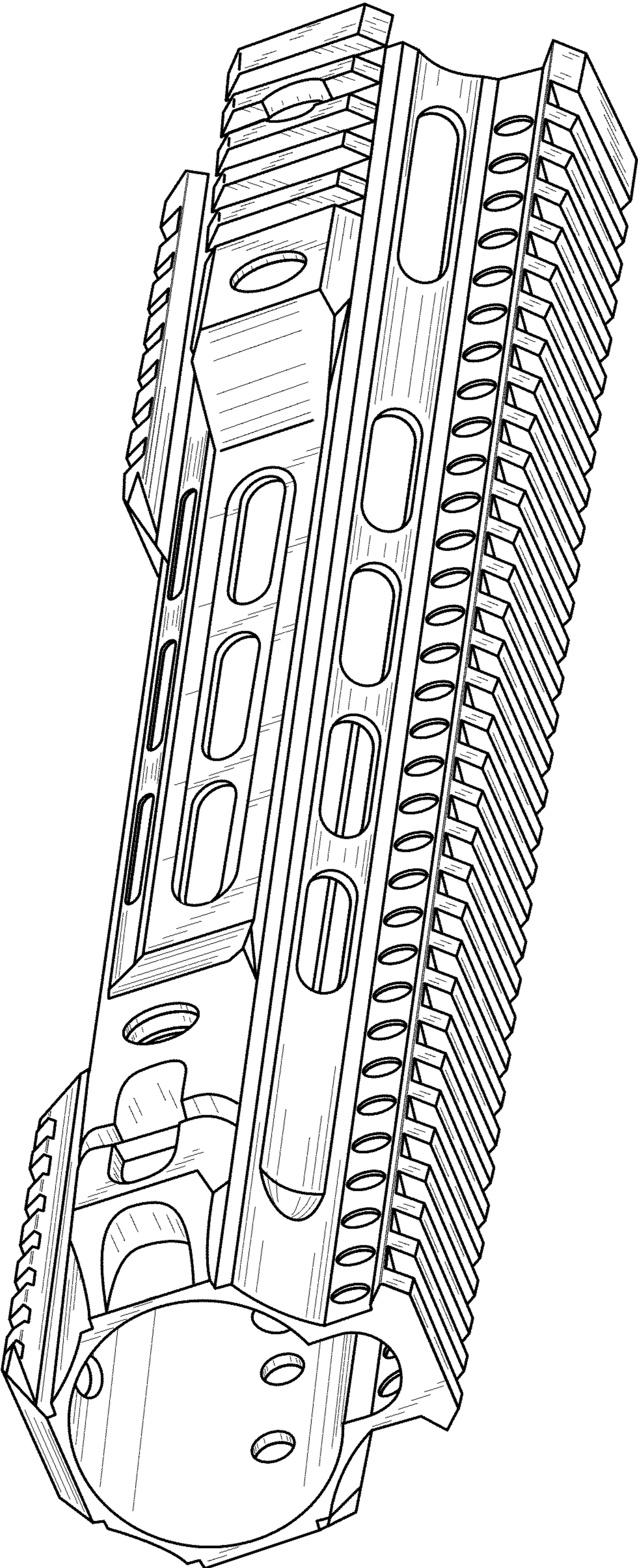


FIG. 2

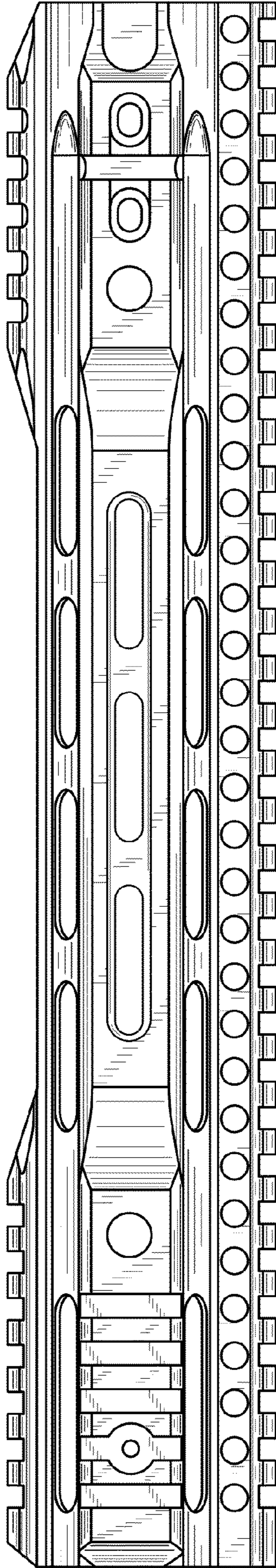


FIG. 3

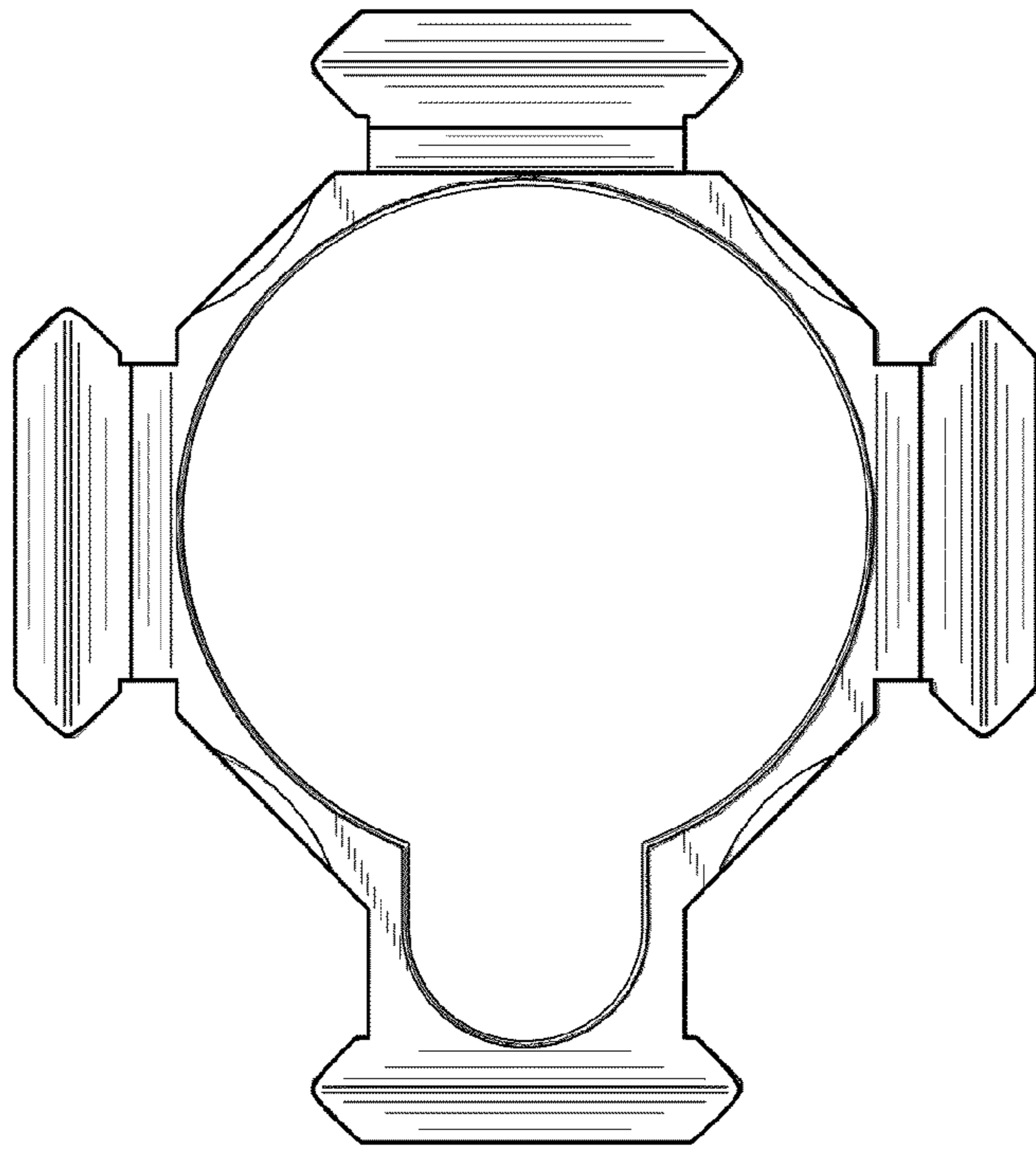


FIG. 4

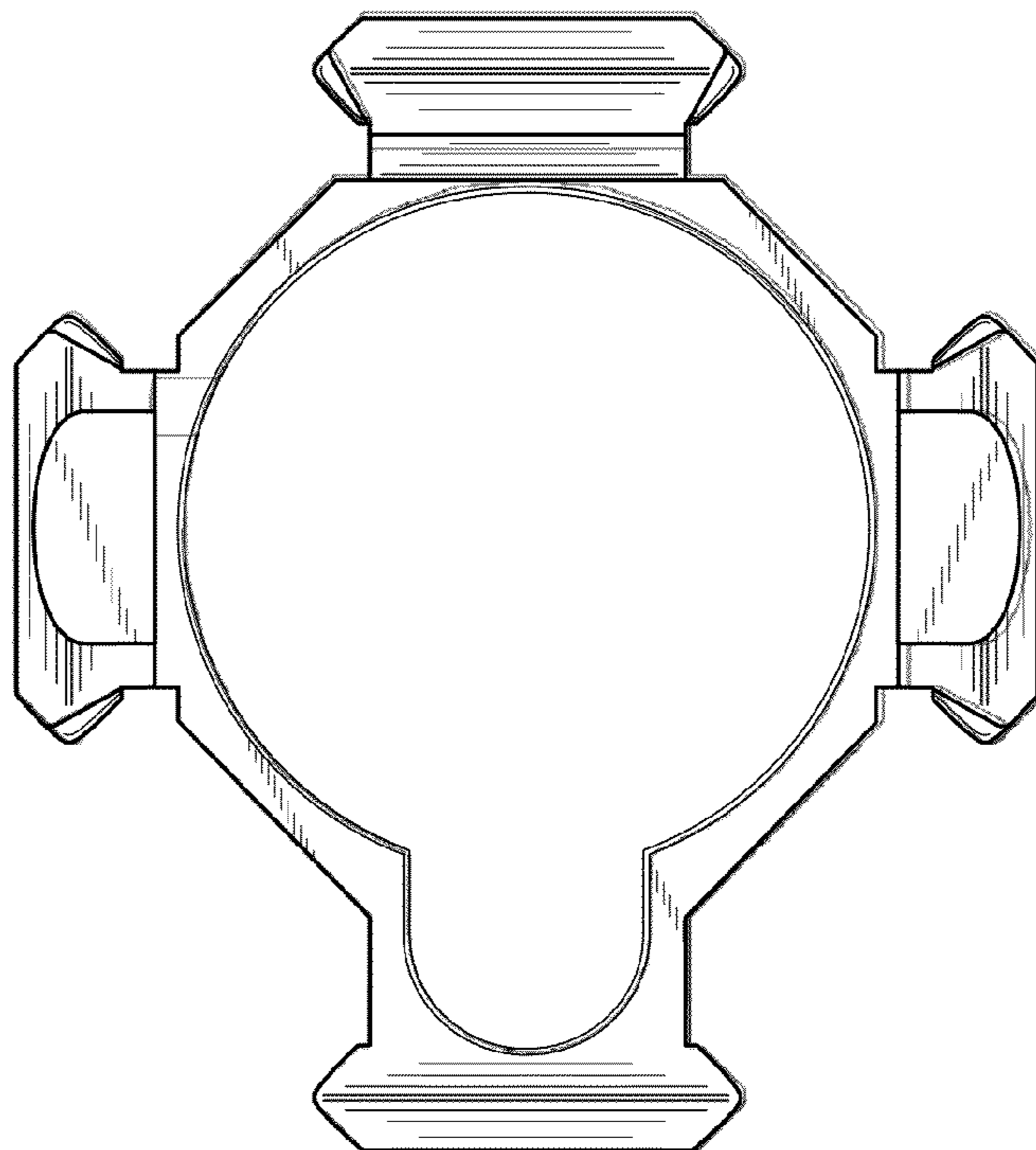


FIG. 5



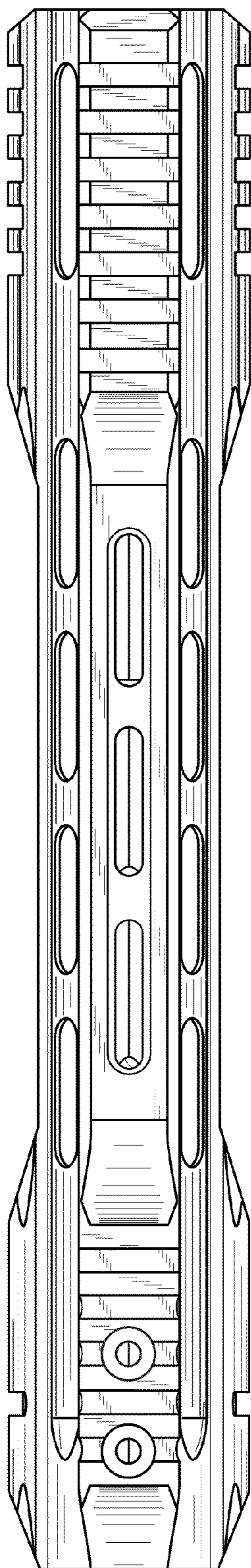


FIG. 6

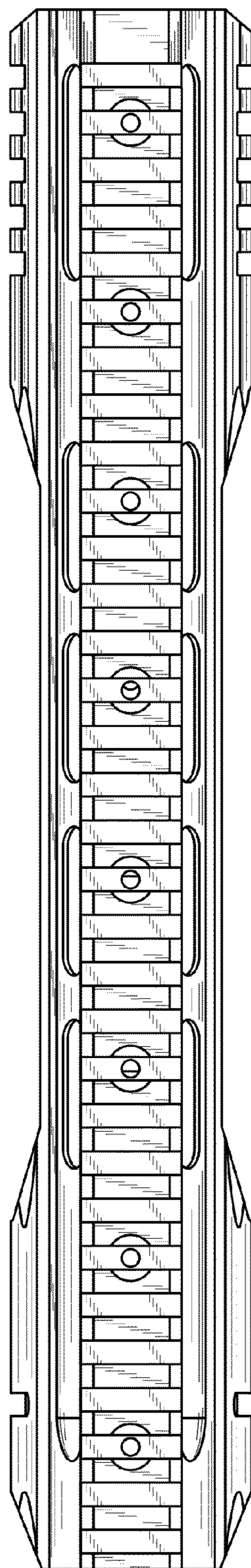


FIG. 7