



US00D703285S

(12) **United States Design Patent**
Chiu

(10) **Patent No.:** **US D703,285 S**
(45) **Date of Patent:** **** Apr. 22, 2014**

(54) **INFANT RECREATIONAL FLOATATION DEVICE**

6,948,991 B2 9/2005 Zhao
7,926,135 B1 * 4/2011 Leach 5/655
8,272,908 B2 * 9/2012 Warmuth-Rued 441/129

(71) Applicant: **Tiffany An-Ting Chiu**, San Francisco, CA (US)

* cited by examiner

(72) Inventor: **Tiffany An-Ting Chiu**, San Francisco, CA (US)

Primary Examiner — Zenia Bennett

(74) *Attorney, Agent, or Firm* — Byrne Poh LLP

(**) Term: **14 Years**

(57) **CLAIM**

I claim the ornamental design for an infant recreational floatation device, as shown and described.

(21) Appl. No.: **29/465,856**

DESCRIPTION

(22) Filed: **Sep. 2, 2013**

(51) **LOC (10) Cl.** **21-06**

(52) **U.S. Cl.**
USPC **D21/803**

(58) **Field of Classification Search**
USPC D21/769–770, 801, 803, 809; 114/253, 114/345–346; 441/35, 66, 74, 40–42, 441/129–132; 472/128–129; D12/5, 6, 316; D6/392, 595, 596, 601, 604, 605
See application file for complete search history.

FIG. 1 is a perspective view of an infant recreational floatation device in accordance with an embodiment of our design.
FIG. 2 is an end view of the infant recreational floatation device shown in FIG. 1.
FIG. 3 is an opposite end view of the infant recreational floatation device shown in FIG. 1.
FIG. 4 is a right side elevational view of the infant recreational floatation device shown in FIG. 1.
FIG. 5 is a left side elevational view of the infant recreational floatation device shown in FIG. 1.
FIG. 6 is a top plan view of the infant recreational floatation device shown in FIG. 1; and,
FIG. 7 is a bottom plan view of the infant recreational floatation device shown in FIG. 1.

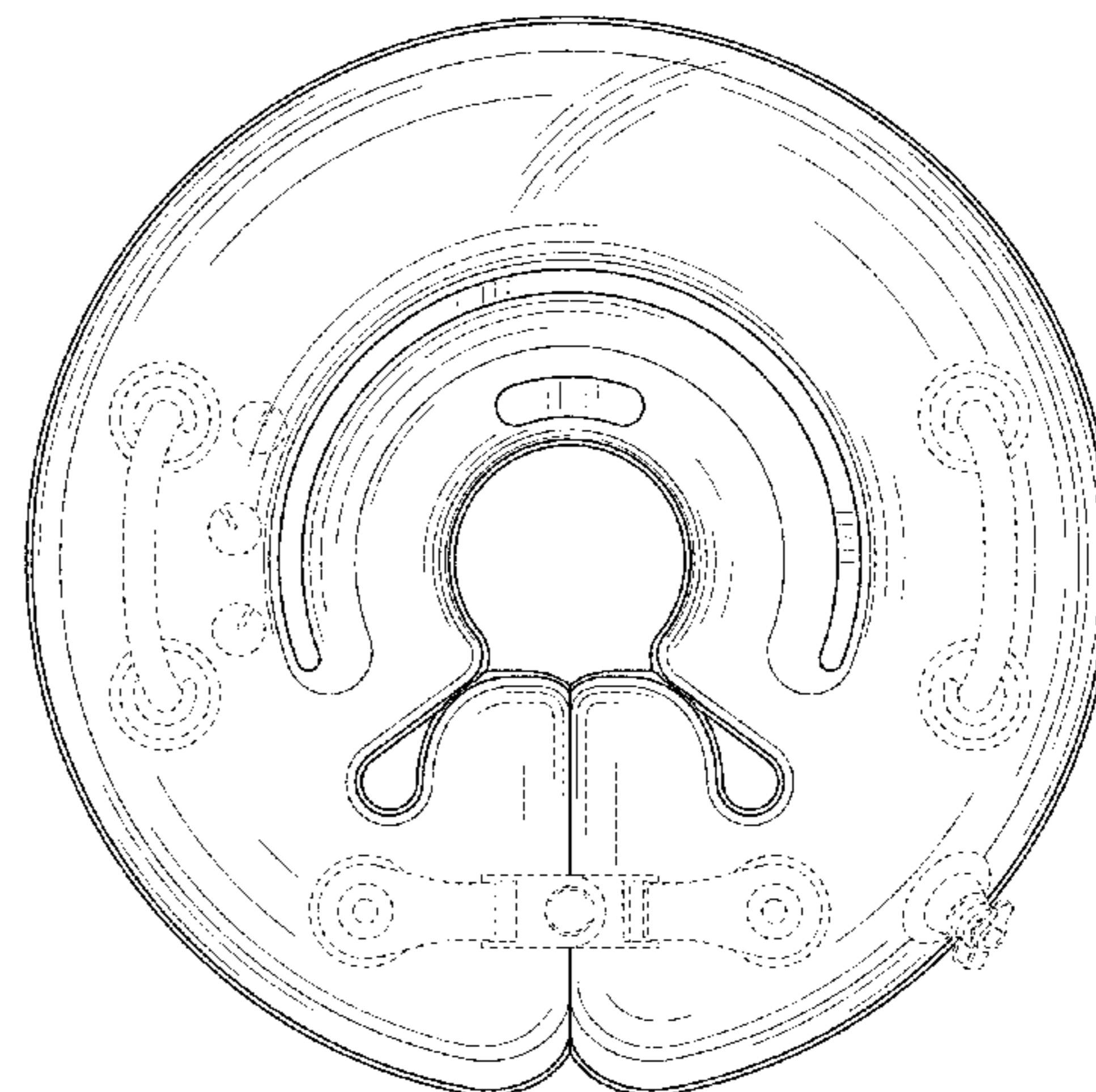
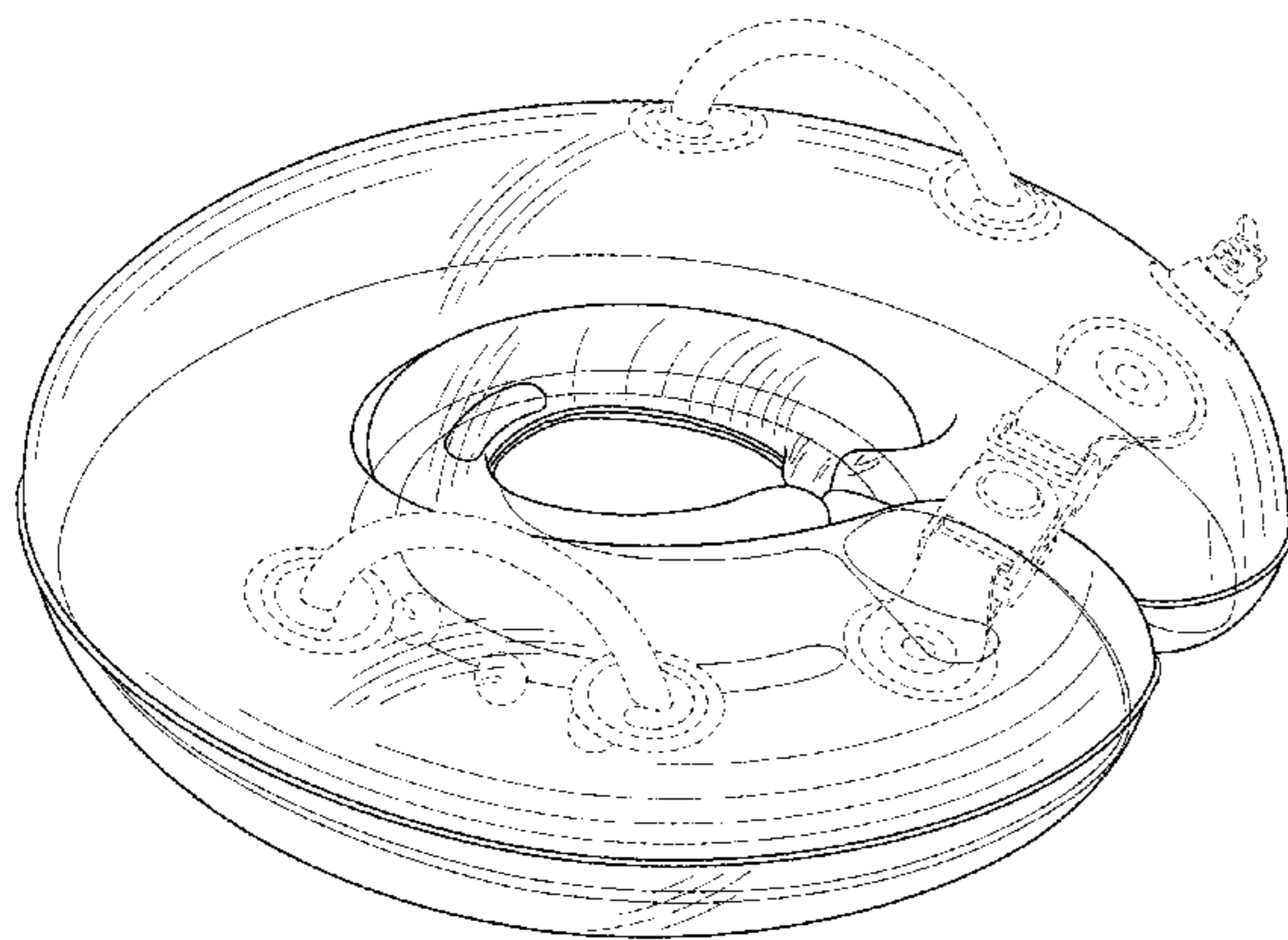
The broken lines in the figures show portions of the infant recreational floatation device which form no part of the claimed design.

(56) **References Cited**

U.S. PATENT DOCUMENTS

D343,220 S * 1/1994 Fireman D21/803
D430,845 S * 9/2000 Elsholz D12/316
D432,614 S * 10/2000 Peterson D21/803
6,126,504 A 10/2000 Day

1 Claim, 5 Drawing Sheets



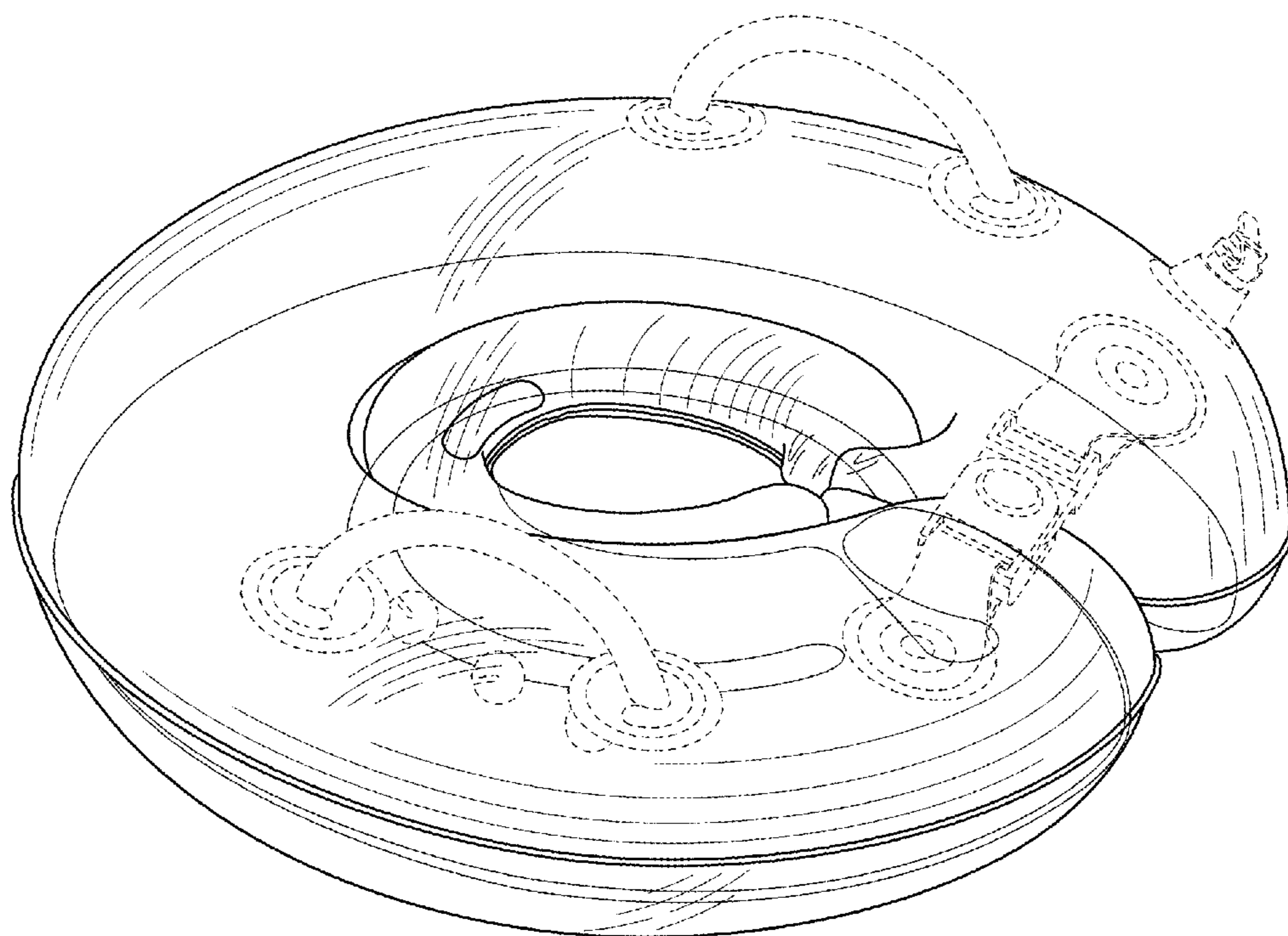


FIG. 1

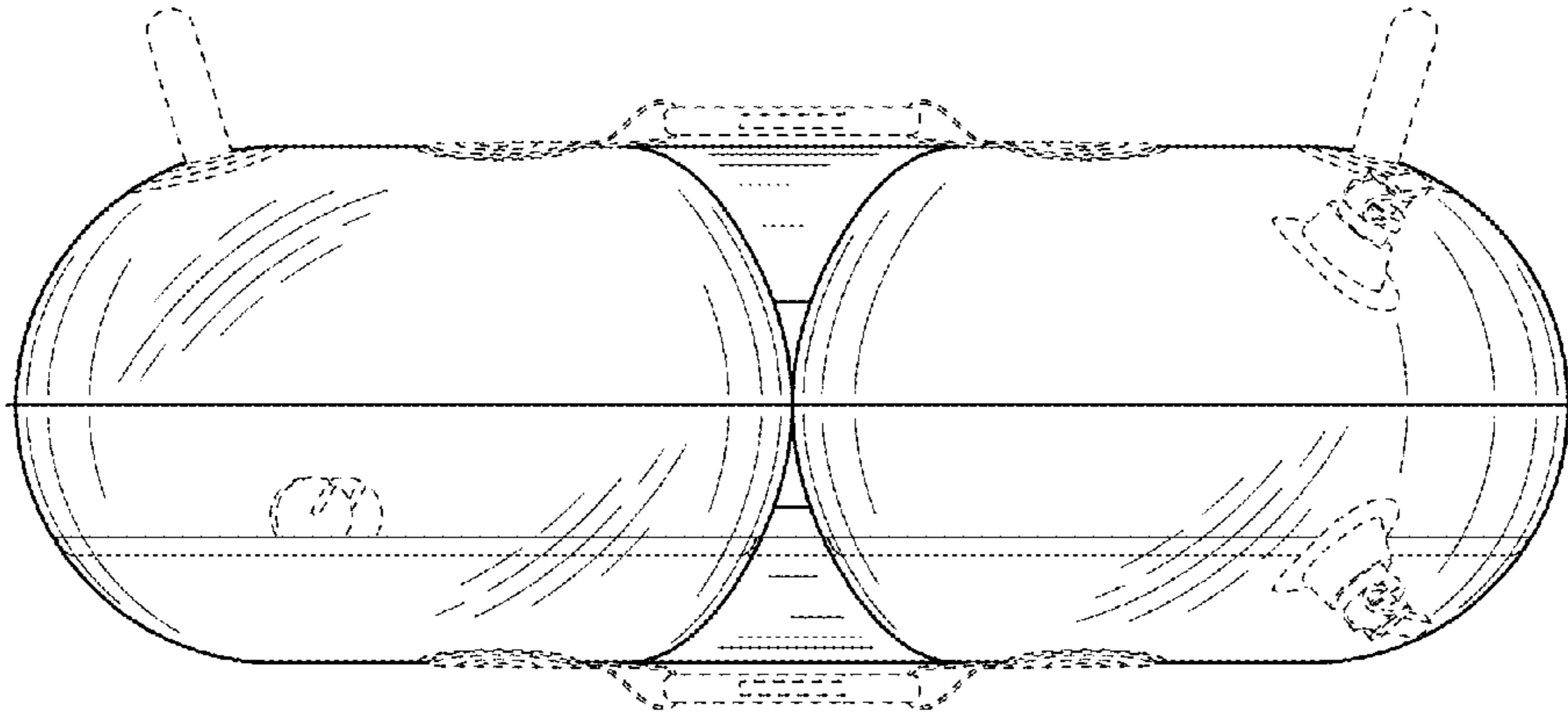


FIG. 2

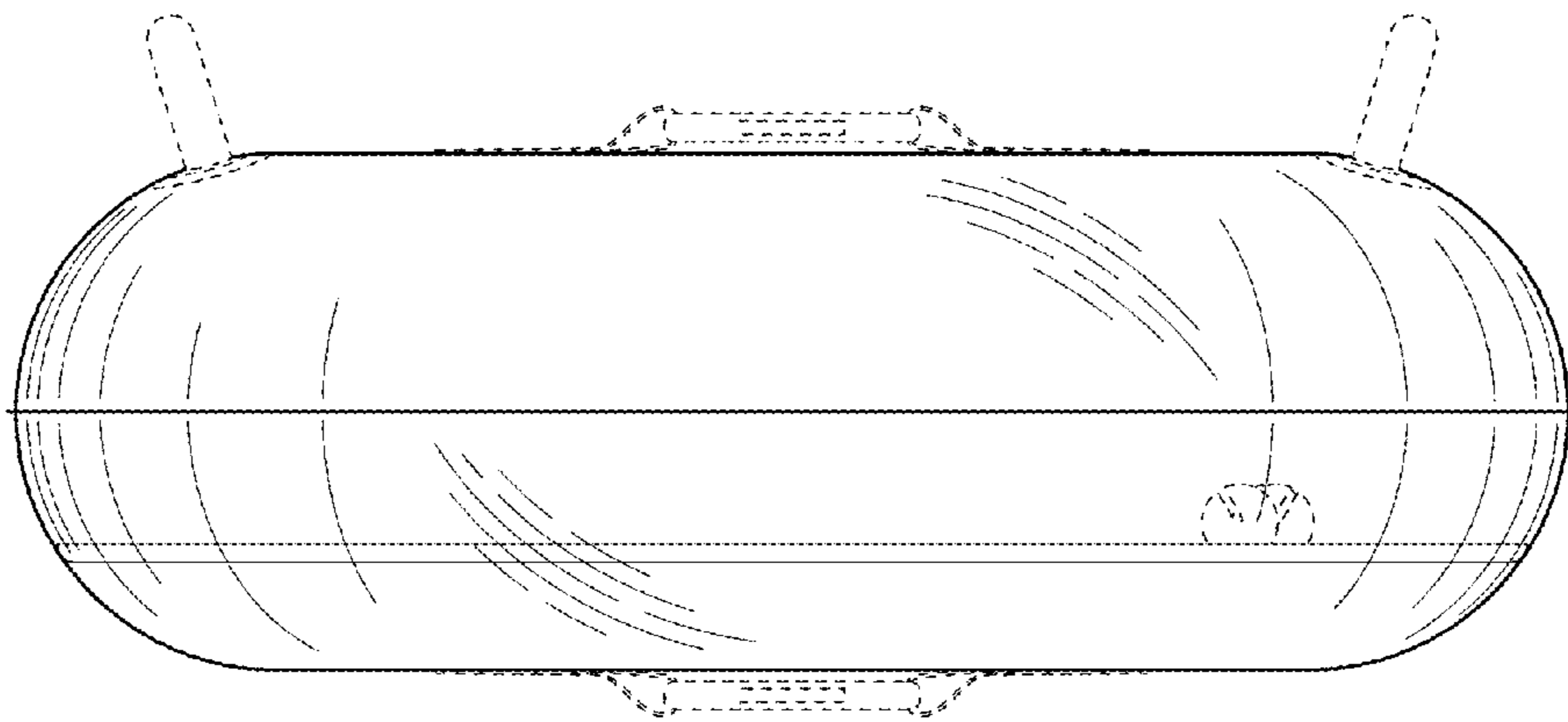


FIG. 3

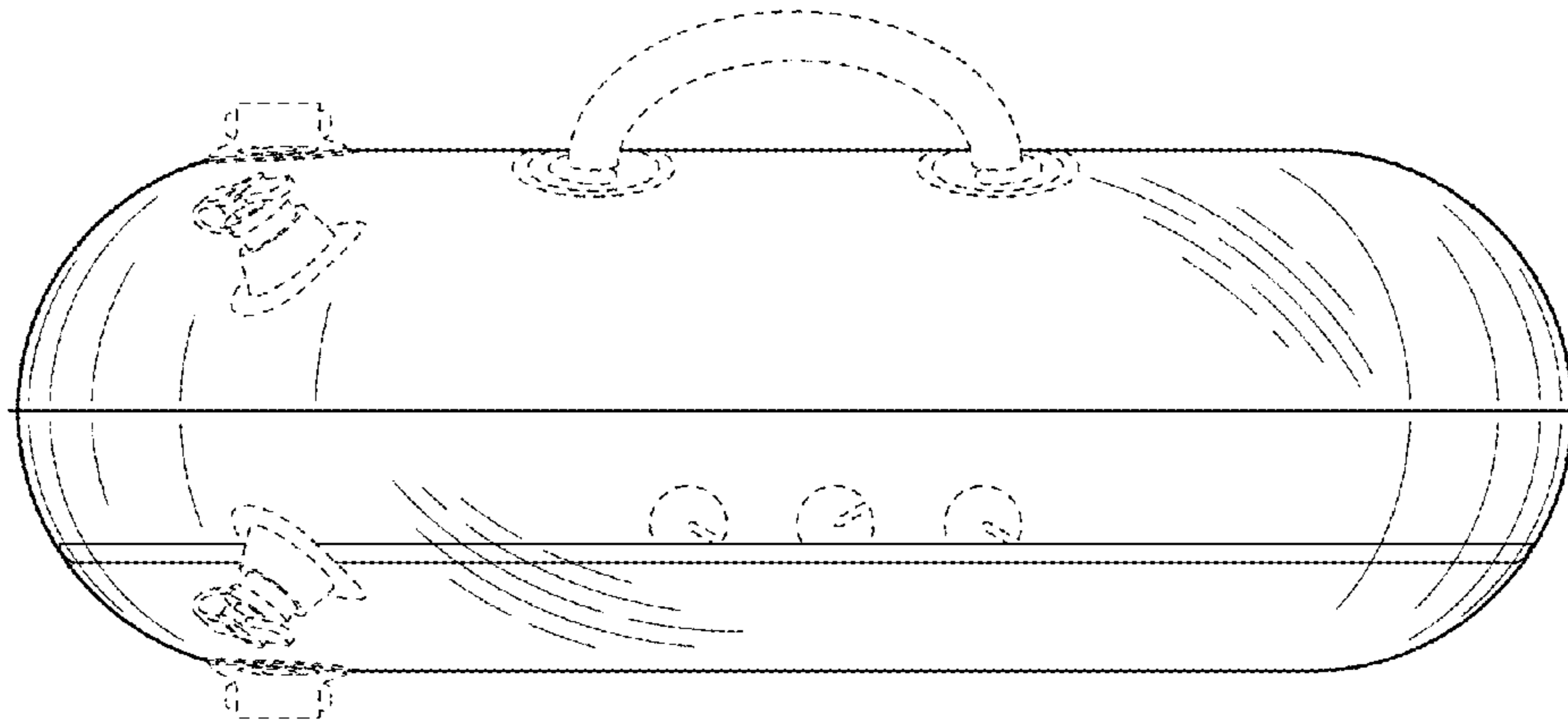


FIG. 4

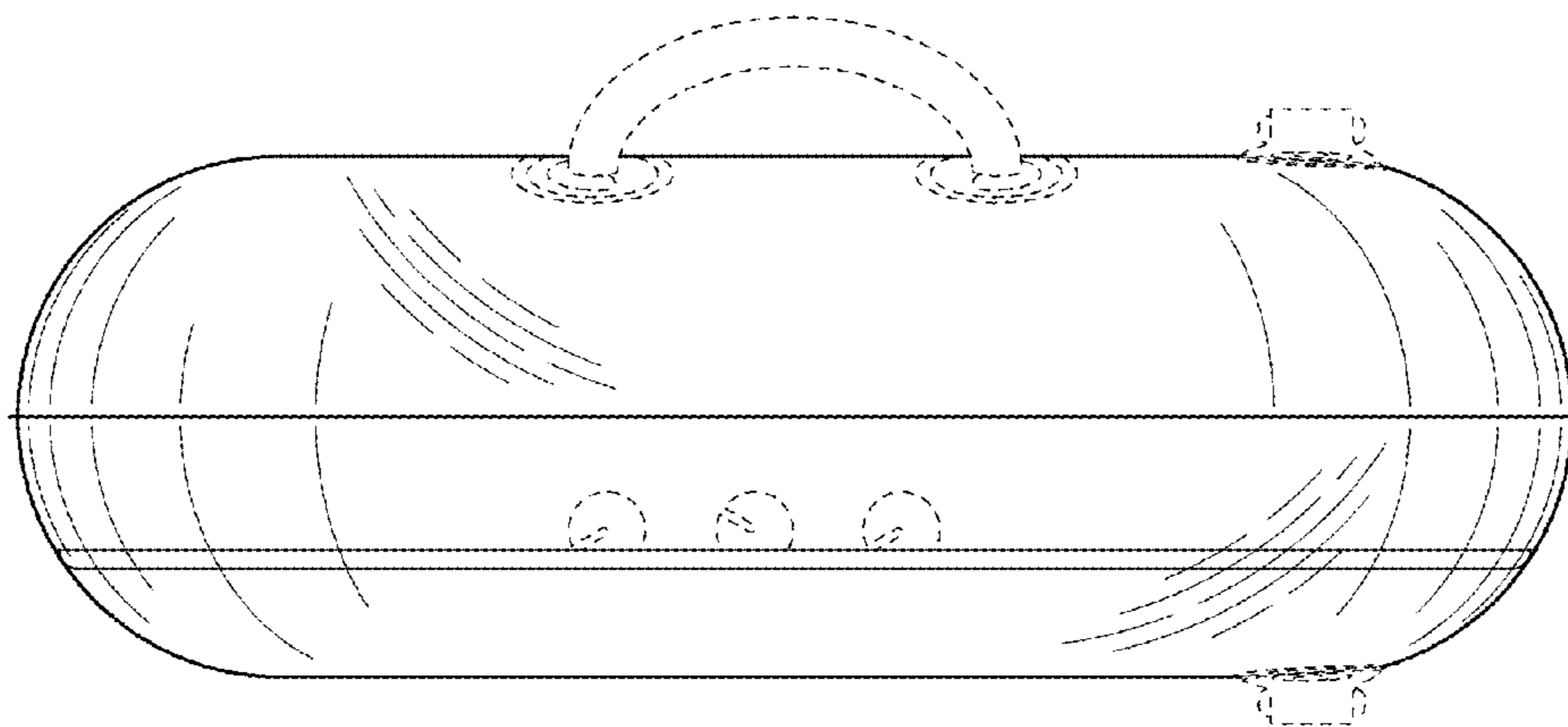


FIG. 5

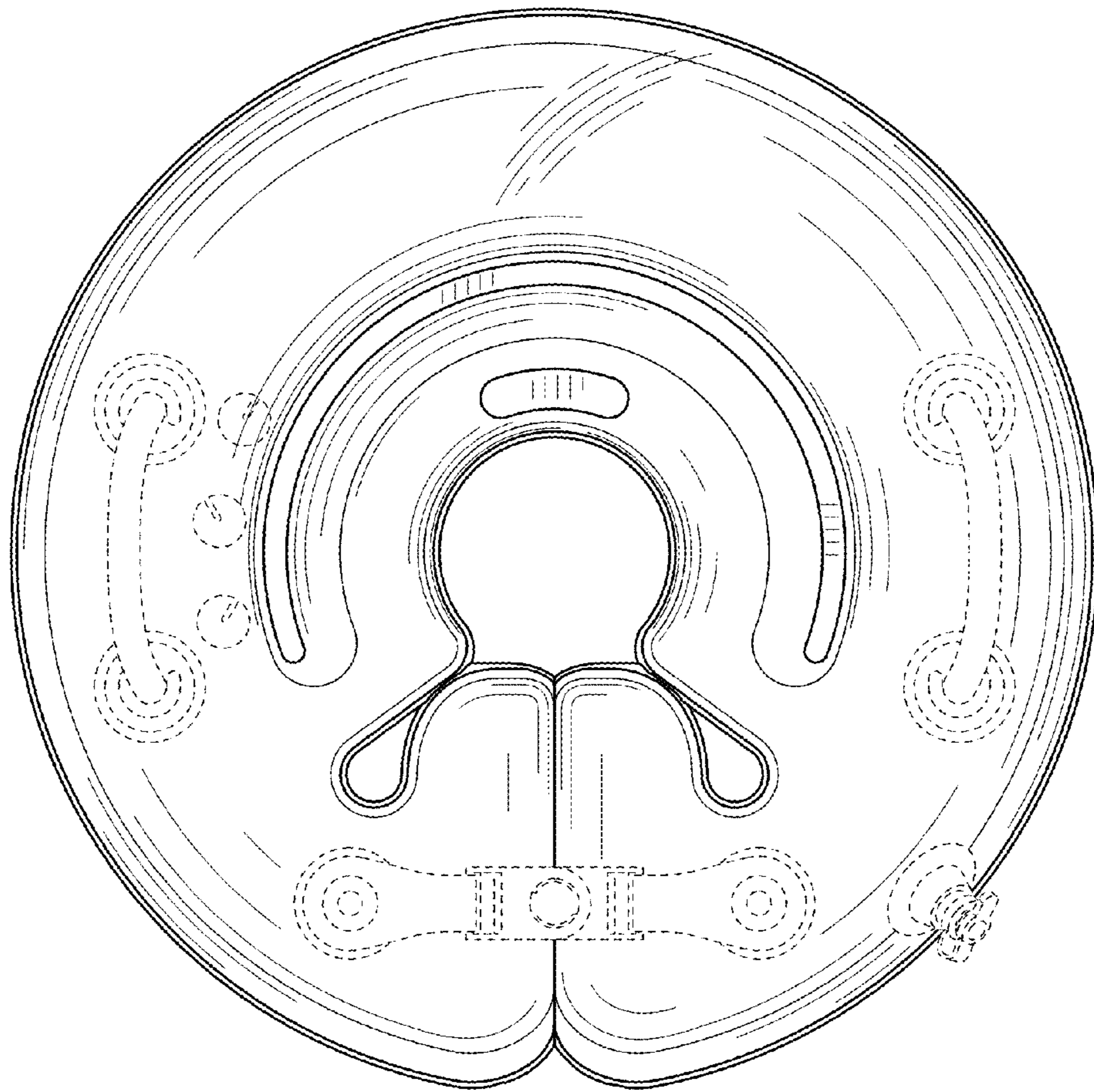


FIG. 6

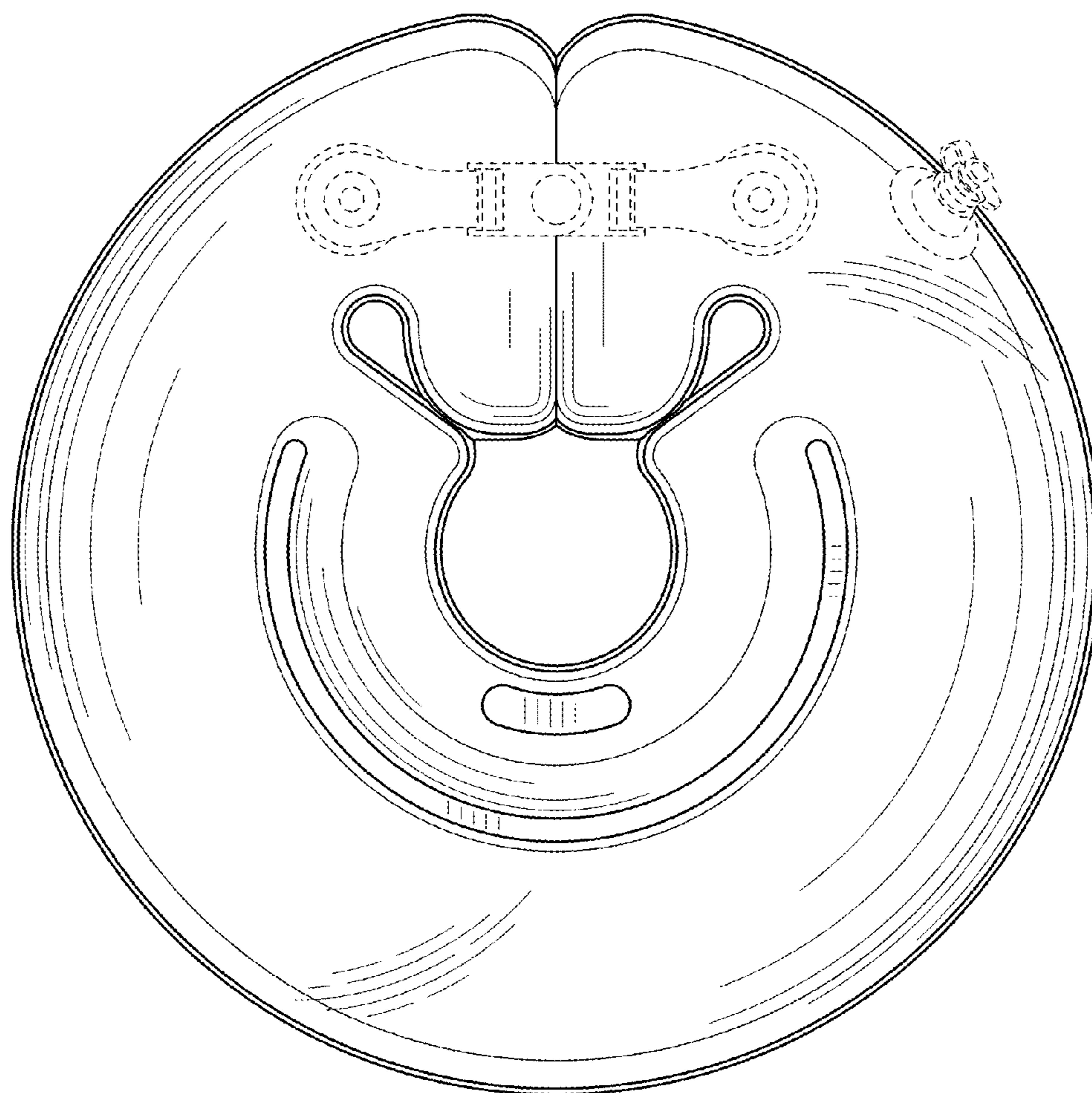


FIG. 7