



US00D703281S

(12) **United States Design Patent**
Holland

(10) **Patent No.:** **US D703,281 S**
(45) **Date of Patent:** **** Apr. 22, 2014**

- (54) **FOOTBALL KICKING TEE**
- (71) Applicant: **Pro Performance Sports, L.L.C.**,
Carlsbad, CA (US)
- (72) Inventor: **Allen Holland**, Sheffield (GB)
- (73) Assignee: **Pro Performance Sports, L.L.C.**,
Carlsbad, CA (US)

- D305,448 S 1/1990 Spiegel
- D309,168 S 7/1990 Smith
- 4,946,165 A 8/1990 Rambacher
- 5,100,135 A 3/1992 Bourgeois
- D367,739 S * 3/1996 Fox et al. D30/148
- 5,501,454 A 3/1996 Frantz
- 5,505,445 A 4/1996 Treadwell et al.
- D372,062 S 7/1996 Spiegel
- D383,816 S 9/1997 Spiegel

(Continued)

(**) Term: **14 Years**

FOREIGN PATENT DOCUMENTS

(21) Appl. No.: **29/455,493**

- DE 40110519-0001 * 5/2002
- EM 000189816-0003 * 9/2004
- JP D1454697 * 11/2011

(22) Filed: **May 21, 2013**

Primary Examiner — Catherine Tuttle

(51) **LOC (10) Cl.** **21-02**

(52) **U.S. Cl.**
USPC **D21/716**

(74) *Attorney, Agent, or Firm* — Kenneth H. Ohriner;
Perkins Coie LLP

(58) **Field of Classification Search**
USPC D21/715–717, 788; D30/147–149;
473/386–403, 417–420, 438, 569;
168/26–28, DIG. 2

(57) **CLAIM**
The ornamental design for a football kicking tee, as shown
and described.

See application file for complete search history.

DESCRIPTION

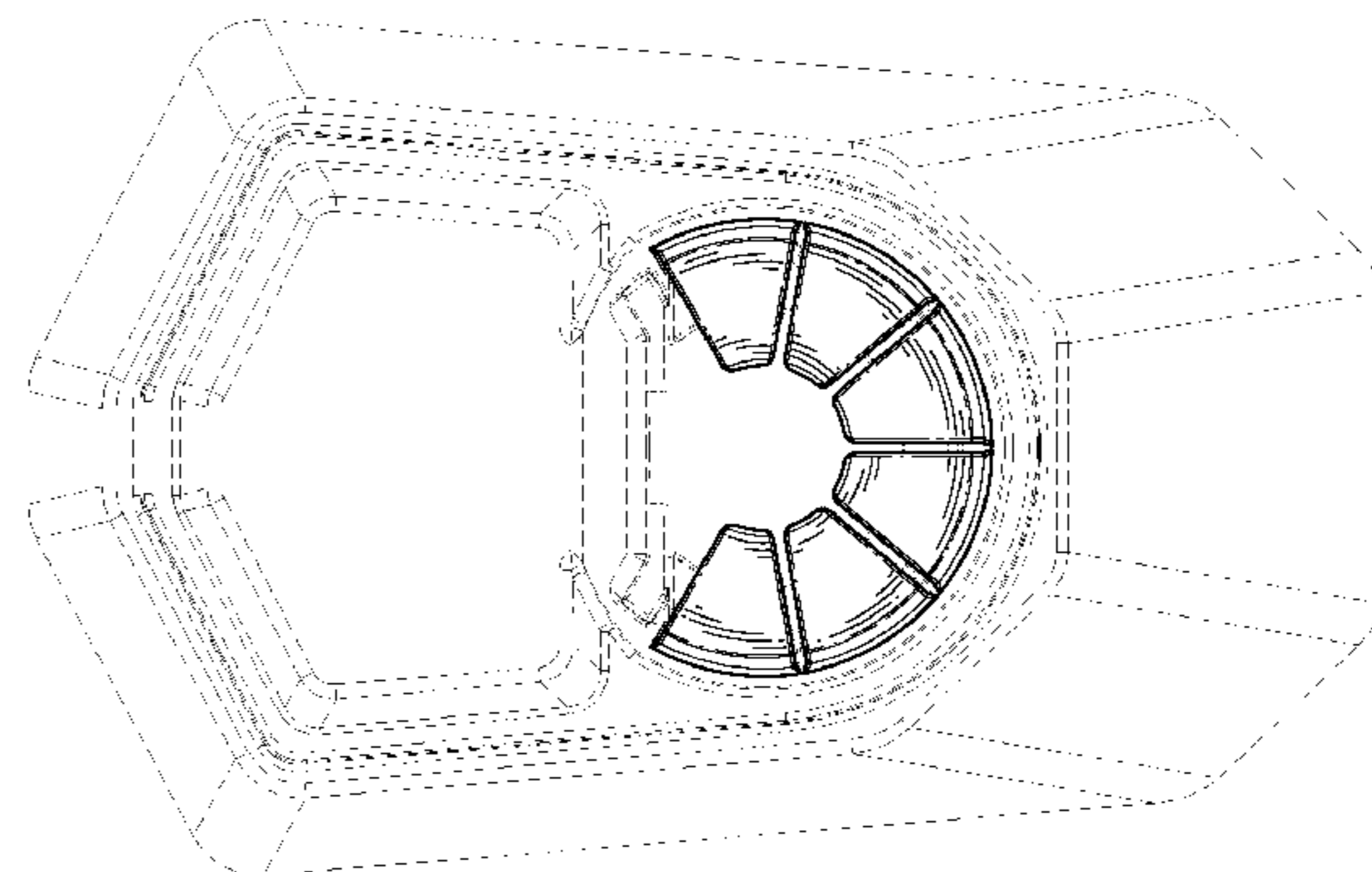
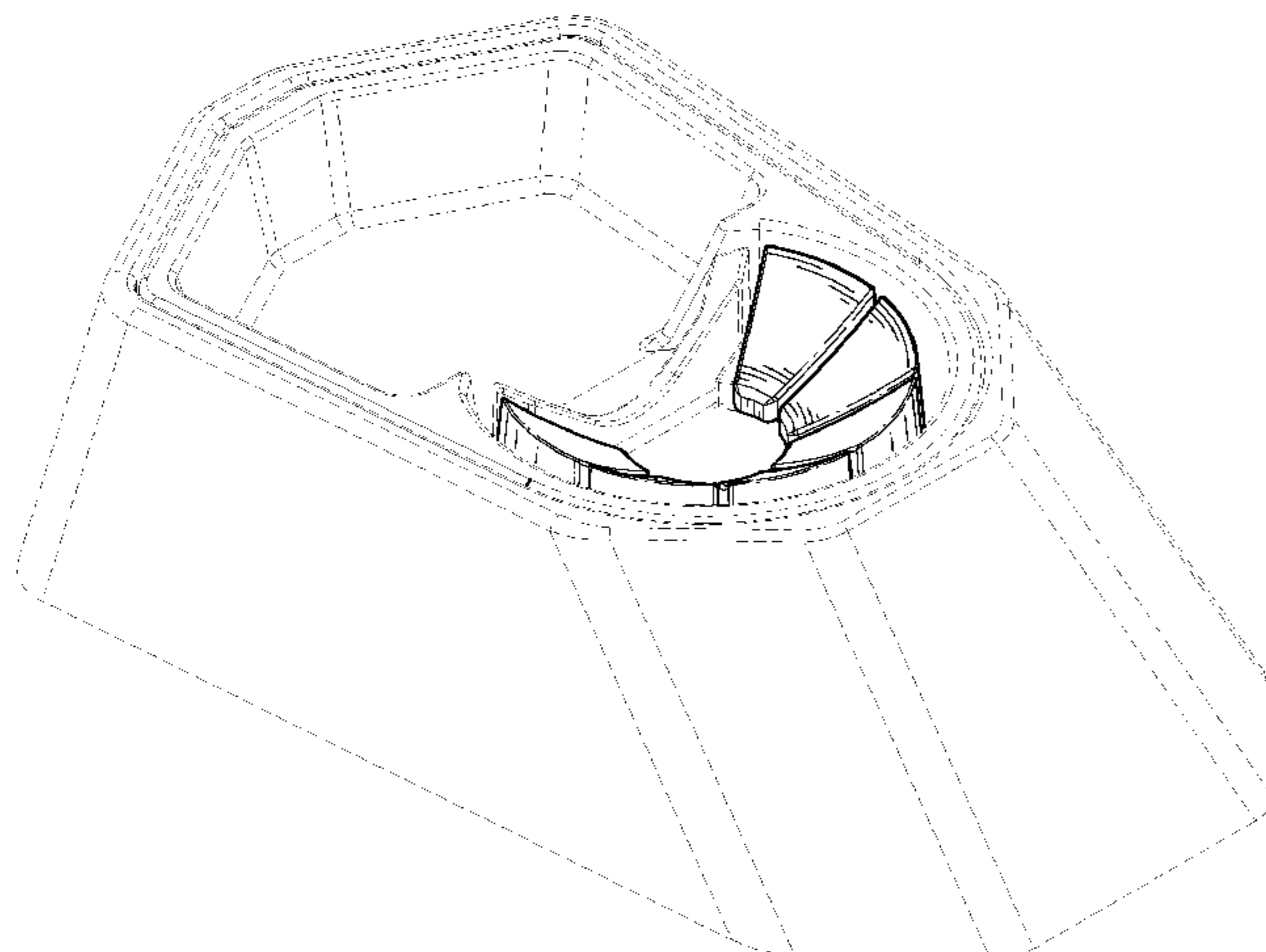
(56) **References Cited**

U.S. PATENT DOCUMENTS

- 620,740 A * 3/1899 Churchill 168/28
- D71,470 S * 11/1926 Lugar D21/718
- 2,553,943 A * 5/1951 Rothe 473/569
- 3,309,087 A 4/1964 Cullity
- D203,376 S * 12/1965 Thompson et al. D27/133
- 3,414,268 A * 12/1968 Chase 473/396
- D250,361 S * 11/1978 James D21/720
- D261,789 S 11/1981 Allen
- 4,418,910 A 12/1983 Stenerud
- D275,303 S 8/1984 Box, Sr.
- D277,973 S 3/1985 Stenerud
- 4,537,397 A 8/1985 Kopp
- 4,655,453 A 4/1987 Spiegel et al.
- 4,657,252 A 4/1987 Spiegel
- D291,714 S 9/1987 Spiegel
- D295,907 S * 5/1988 Decker D30/143

FIG. 1 is a front, top and left side perspective view of the football kicking tee embodying my new design.
 FIG. 2 is a front view thereof;
 FIG. 3 is a rear view thereof;
 FIG. 4 is a left side view thereof;
 FIG. 5 is a right side view thereof;
 FIG. 6 is a top view thereof;
 FIG. 7 is a bottom view thereof; and,
 FIG. 8 is an exploded perspective view thereof.
 The tee is symmetrical about a front-back centerline.
 The circumferential lines on the triangular flaps shown in FIGS. 1 and 6 are contour shading.
 The dashed lines are included for the purpose of illustrating the portions of the football kicking tee that form no part of the claimed design.

1 Claim, 5 Drawing Sheets



(56)

References Cited

U.S. PATENT DOCUMENTS

D383,817 S 9/1997 Spiegel
D392,705 S 3/1998 Spiegel
6,309,316 B1 10/2001 Spiegel
D579,994 S 11/2008 Lowinger

7,452,293 B2 11/2008 Spiegel
D634,798 S 3/2011 Suisham et al.
D664,221 S 7/2012 Spiegel
D678,437 S * 3/2013 Spiegel D21/716
8,469,840 B2 * 6/2013 Mourouzis et al. 473/419
8,517,864 B2 8/2013 Spiegel
2005/0181893 A1 * 8/2005 Slaven 473/387

* cited by examiner

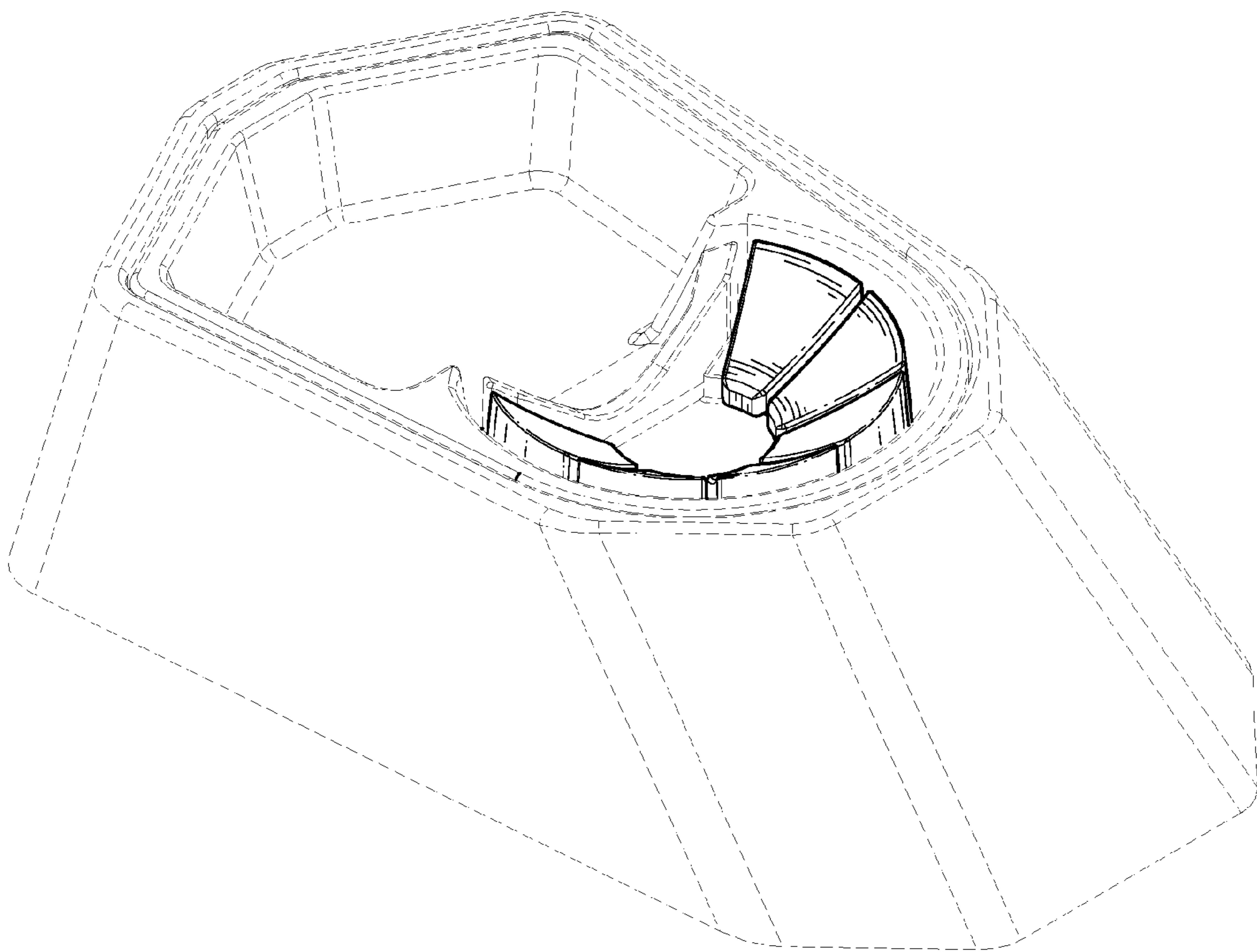


FIG. 1

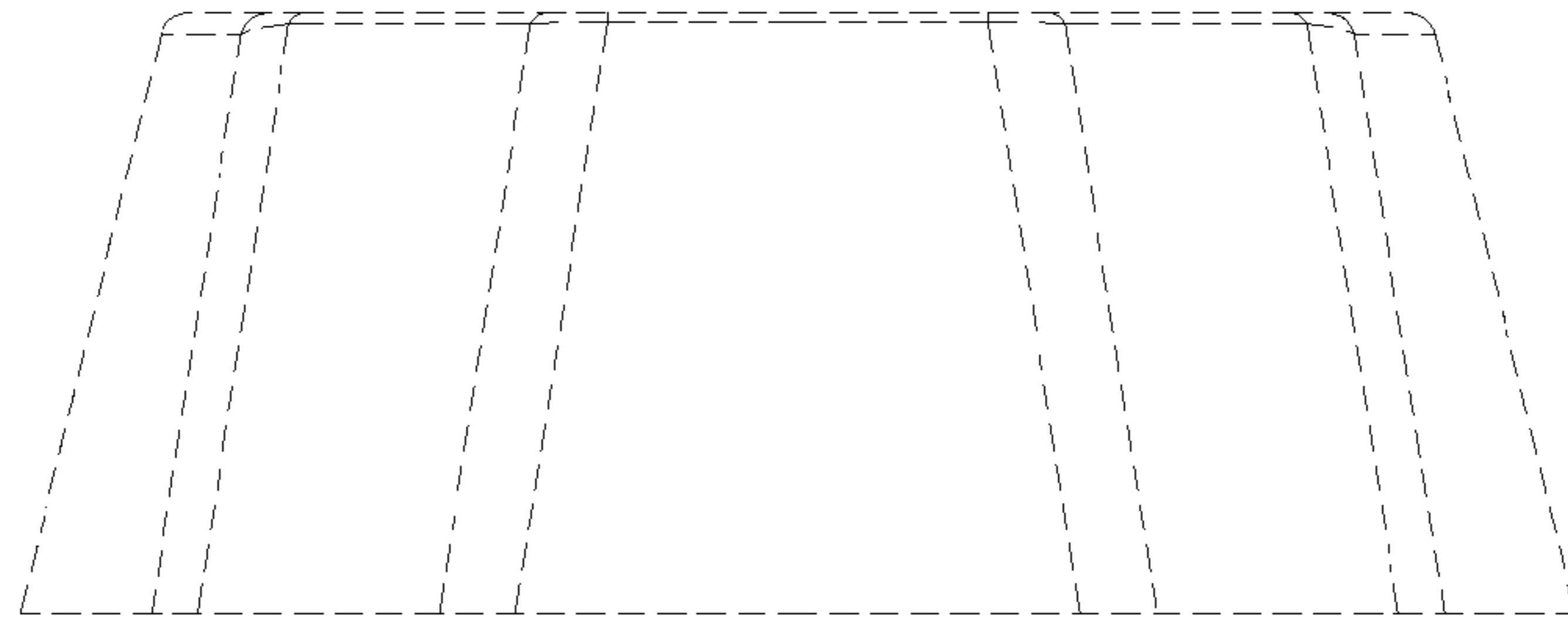


FIG. 2

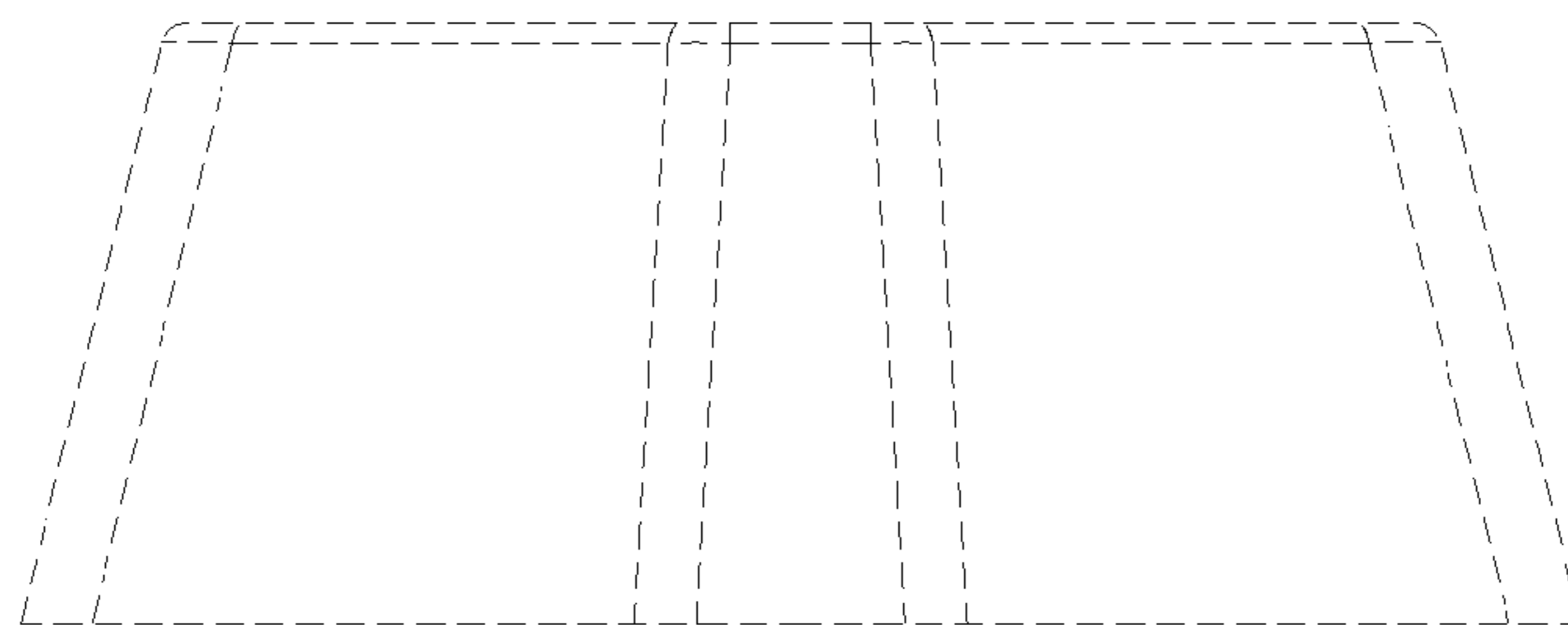


FIG. 3



FIG. 4

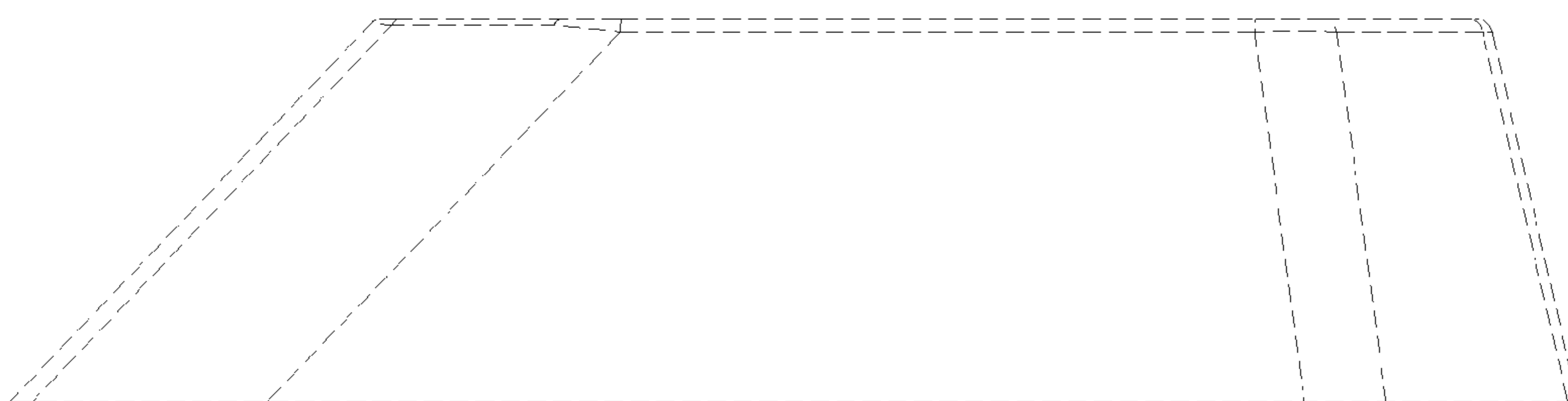


FIG. 5

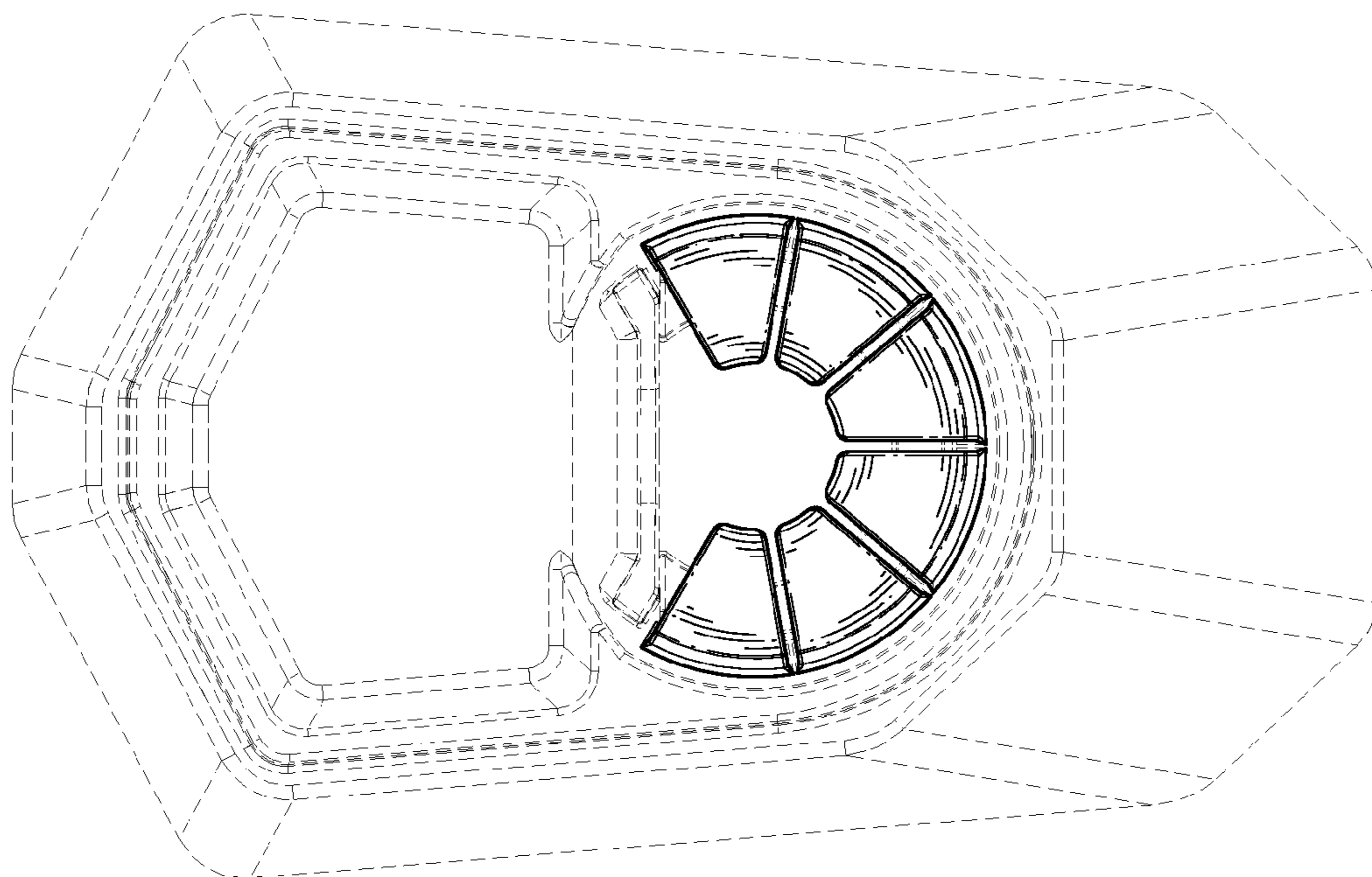


FIG. 6

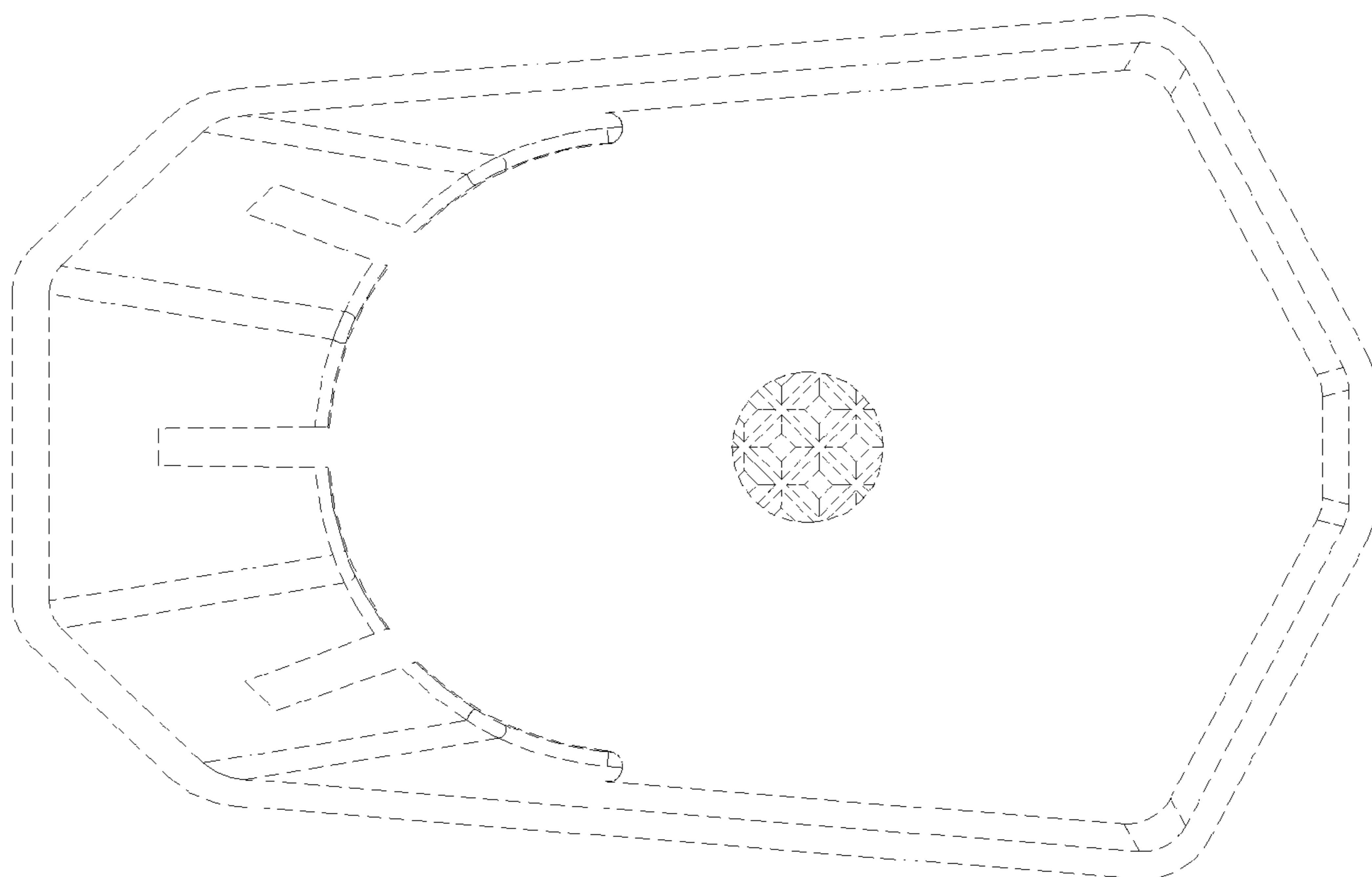


FIG. 7

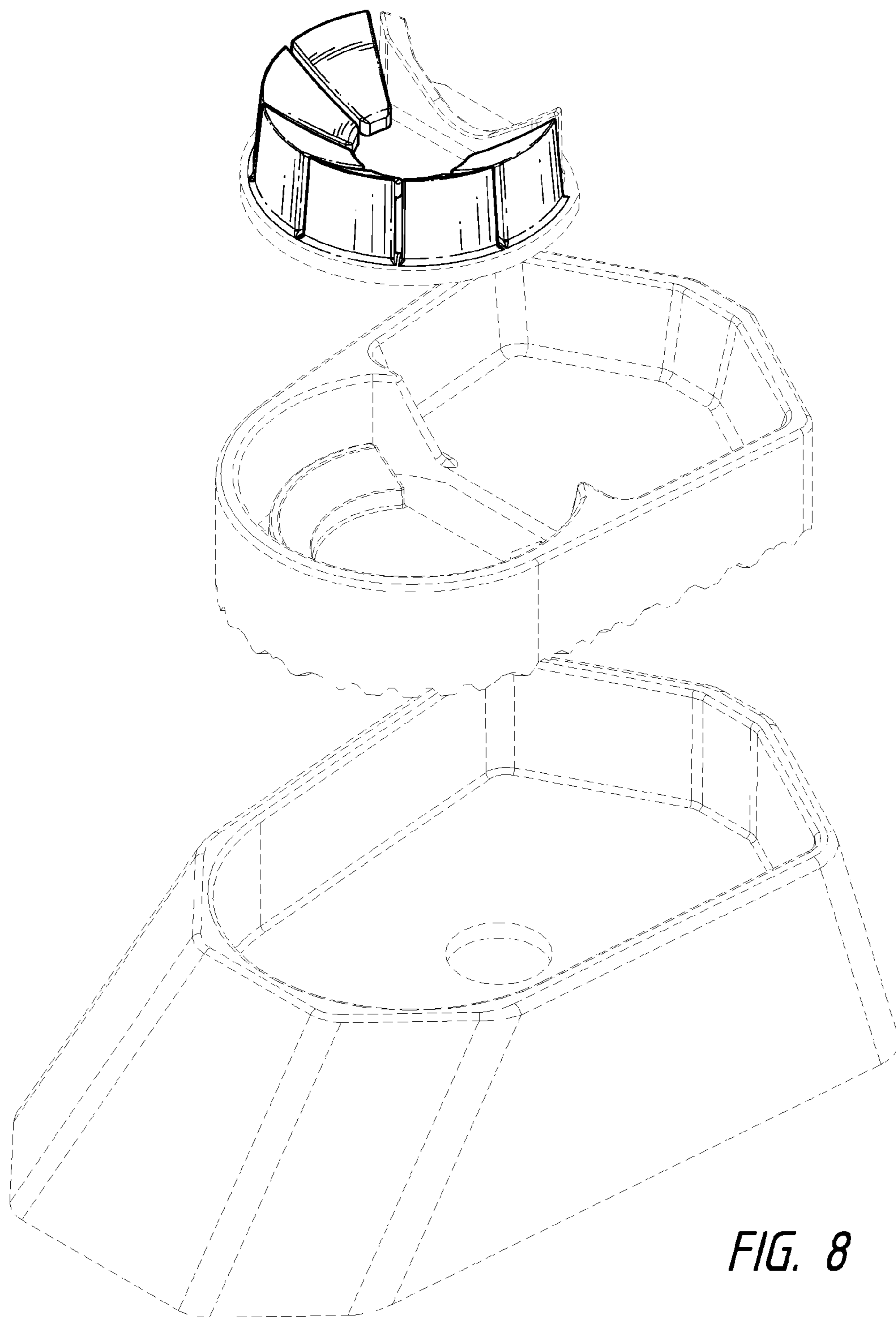


FIG. 8