



US00D703280S

(12) **United States Design Patent**
Ho et al.

(10) **Patent No.:** **US D703,280 S**
(45) **Date of Patent:** **** Apr. 22, 2014**

(54) **INSTANT ABDOMEN EXERCISER**

(76) Inventors: **Wei-Teh Ho**, Taipei (TW); **Willy Ho**,
Taipei (TW)

(**) Term: **14 Years**

(21) Appl. No.: **29/426,454**

(22) Filed: **Jul. 5, 2012**

(51) **LOC (10) Cl.** **21-02**

(52) **U.S. Cl.**
USPC **D21/687**

(58) **Field of Classification Search**
USPC D21/662, 674, 676, 686, 687, 688, 689,
D21/694, 695; 482/51, 71–72, 96, 112, 121,
482/130–132, 140, 142
See application file for complete search history.

D528,614 S * 9/2006 McVay et al. D21/687
7,179,212 B2 * 2/2007 Hsiung et al. 482/140
D545,928 S * 7/2007 Huang D21/690
7,686,750 B2 * 3/2010 Tuller 482/142
D649,205 S * 11/2011 Zachary D21/676
D681,137 S * 4/2013 Perez et al. D21/676
2007/0259760 A1 * 11/2007 Perez 482/140

* cited by examiner

Primary Examiner — Phillip S Hyder

(74) *Attorney, Agent, or Firm* — Blakely Sokoloff Taylor &
Zafman LLP

(57) **CLAIM**

The ornamental design for an instant abdomen exerciser, as
shown and described.

(56) **References Cited**

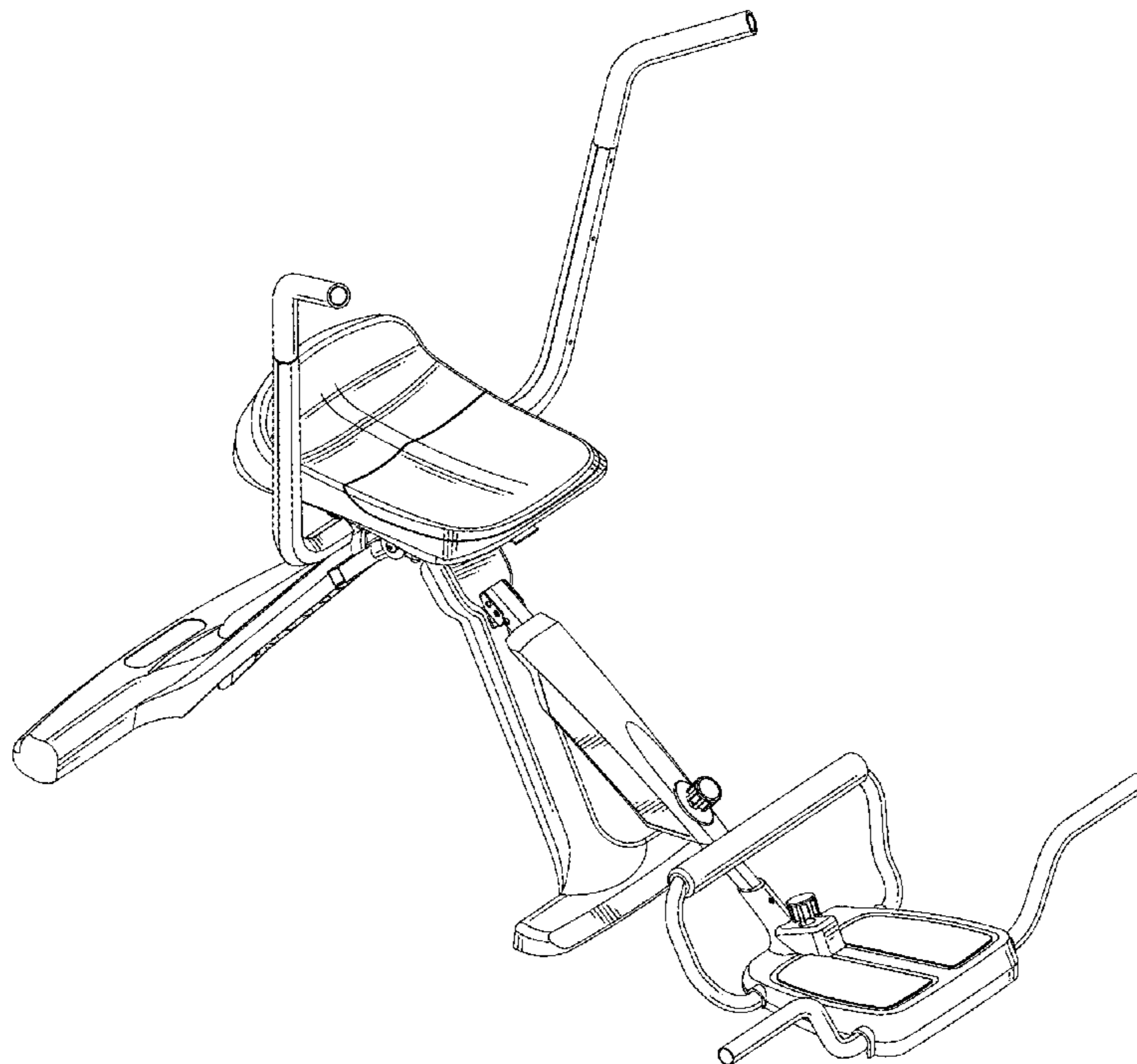
U.S. PATENT DOCUMENTS

D251,320 S * 3/1979 Brentham D21/676
4,477,071 A * 10/1984 Brown et al. 482/73
D289,190 S * 4/1987 Brentham D21/676
5,527,243 A * 6/1996 Chen 482/72
5,599,261 A * 2/1997 Easley et al. 482/130
D404,444 S * 1/1999 Sands et al. D21/676
D452,719 S * 1/2002 Lin et al. D21/673
6,475,123 B1 * 11/2002 Evans 482/97
D476,384 S * 6/2003 Perez D21/690
D478,137 S * 8/2003 Ho et al. D21/687
D490,867 S * 6/2004 Chen D21/676
D490,868 S * 6/2004 Tornabene D21/690

DESCRIPTION

FIG. 1 is a perspective view showing the new design for an
instant abdomen exerciser;
FIG. 2 is an enlarged front view thereof;
FIG. 3 is a further enlarged rear view thereof;
FIG. 4 is a reduced scale right side view thereof;
FIG. 5 is a reduced scale left side view thereof;
FIG. 6 is an enlarged top view thereof; and,
FIG. 7 is an enlarged bottom view thereof.
Broken lines illustrate portions of the abdomen exerciser
outside the scope of the claimed design.

1 Claim, 7 Drawing Sheets



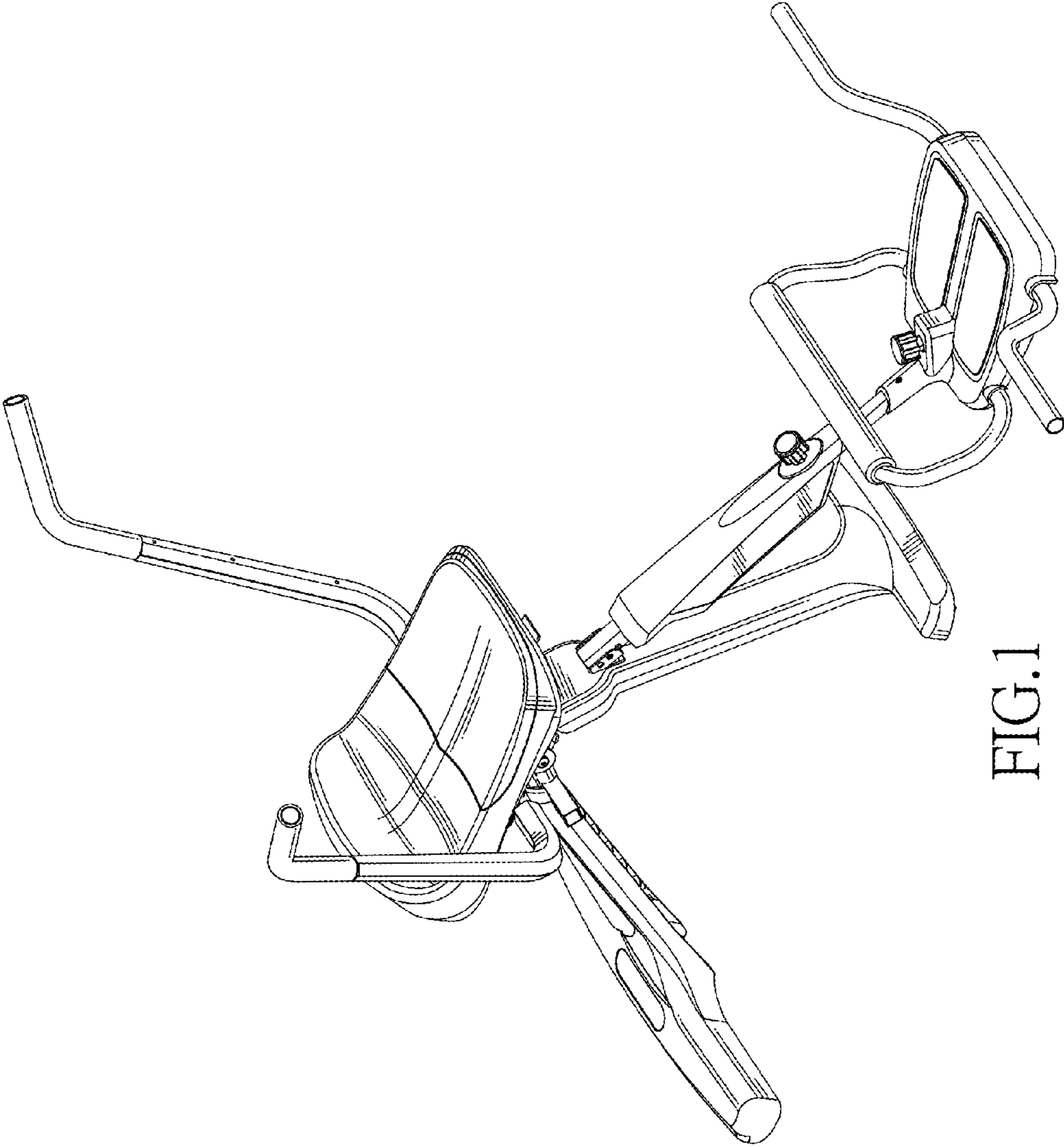


FIG.1

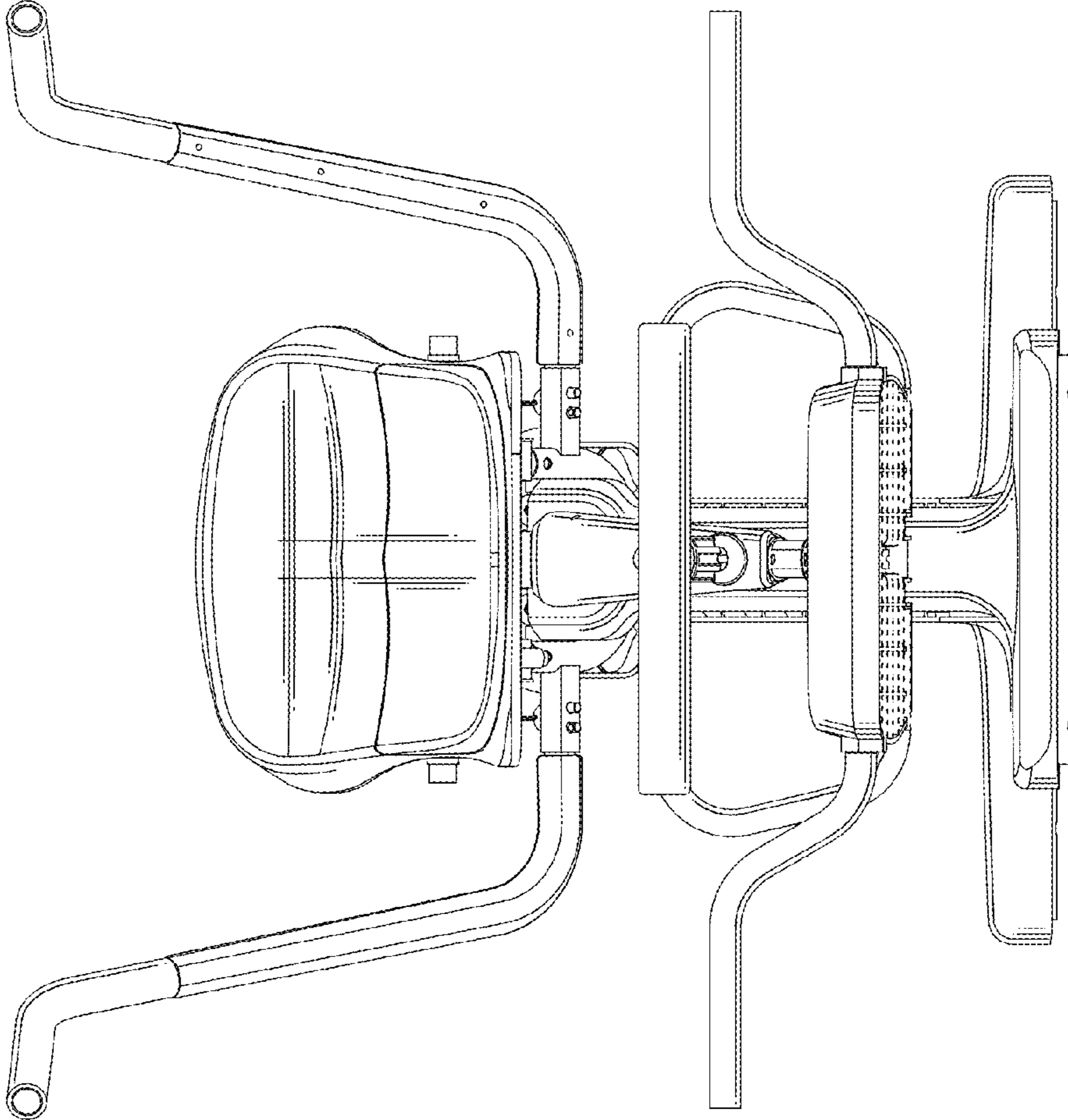


FIG.2

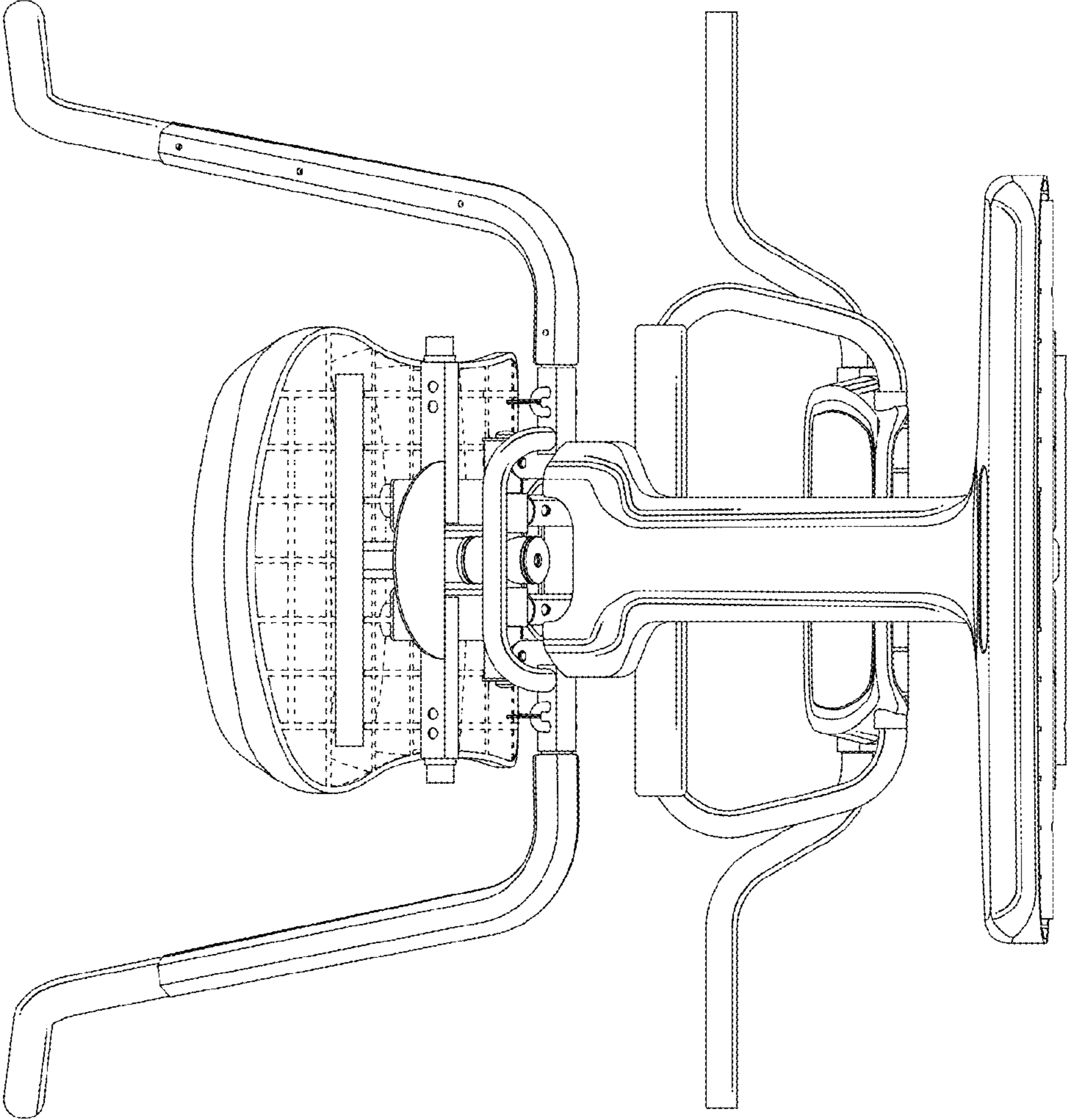


FIG.3

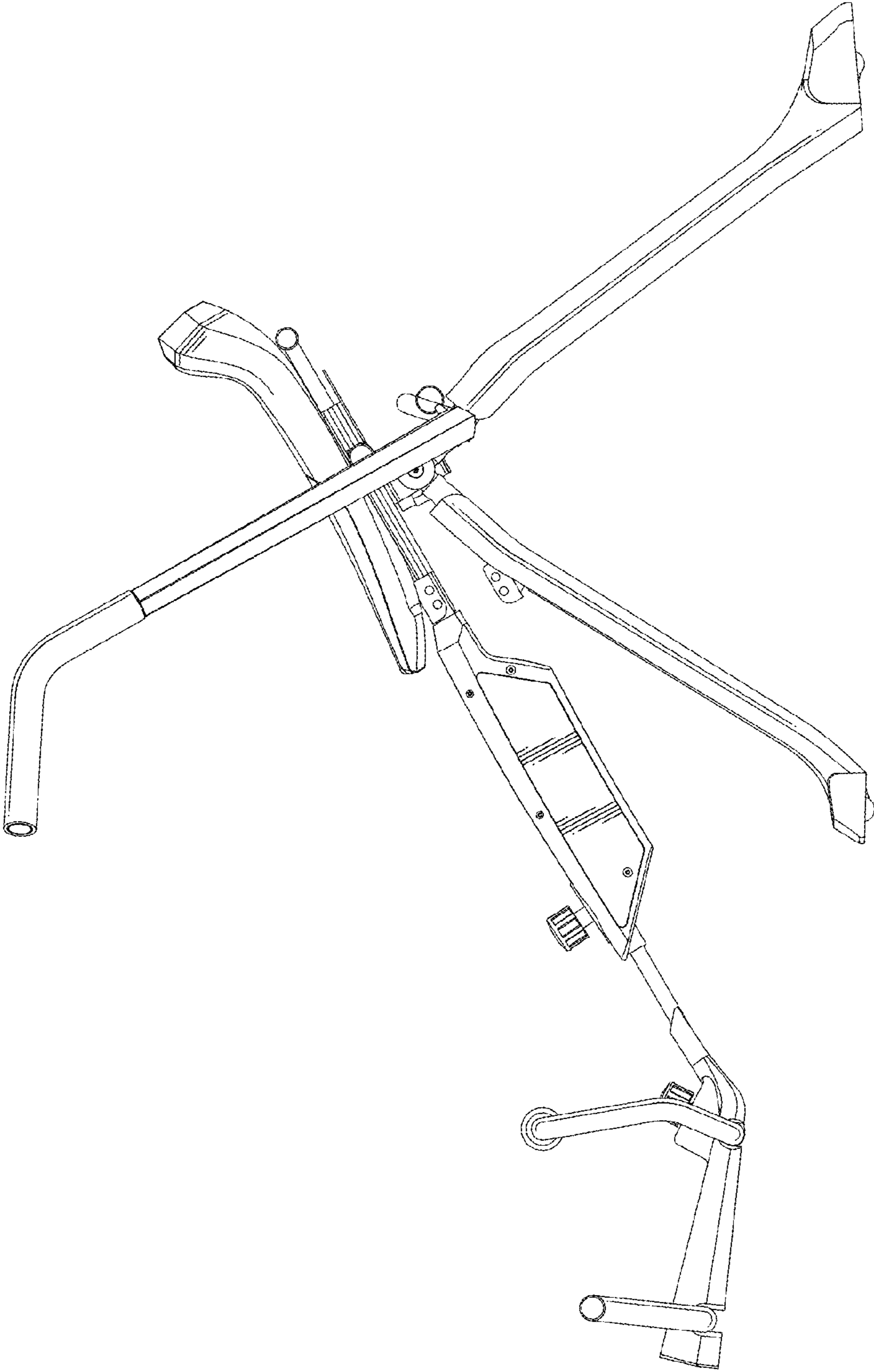


FIG.4

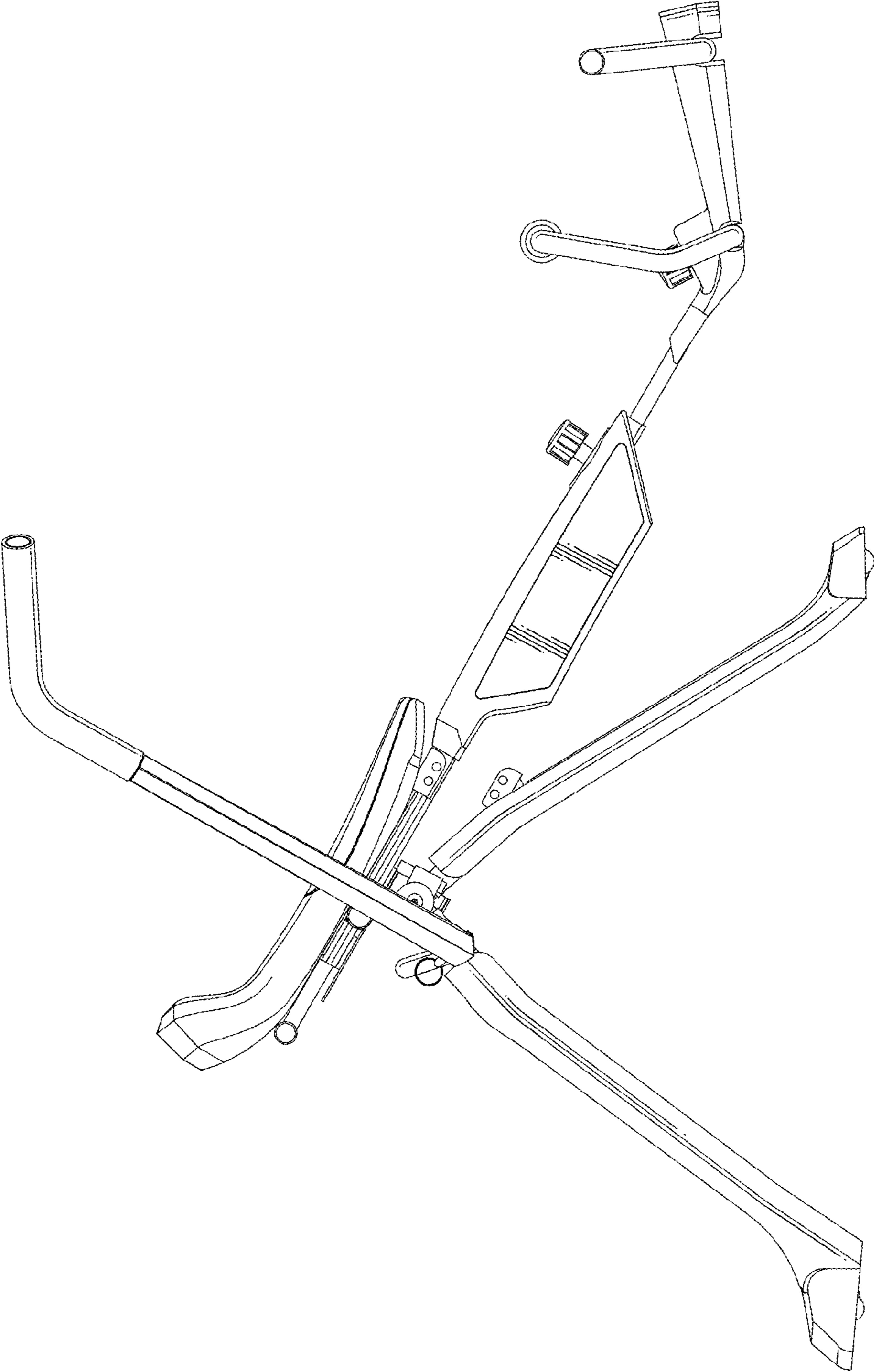


FIG.5

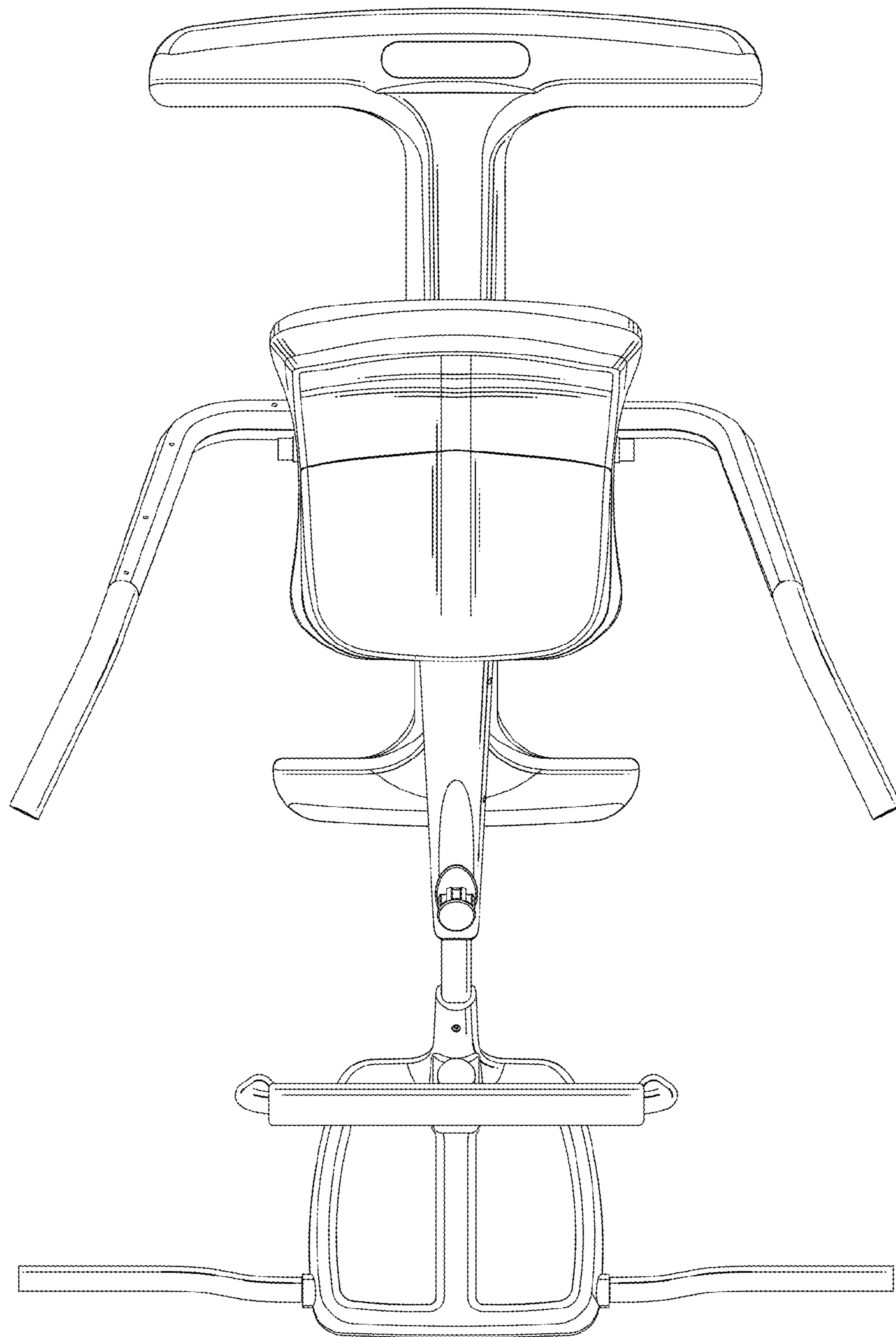


FIG.6

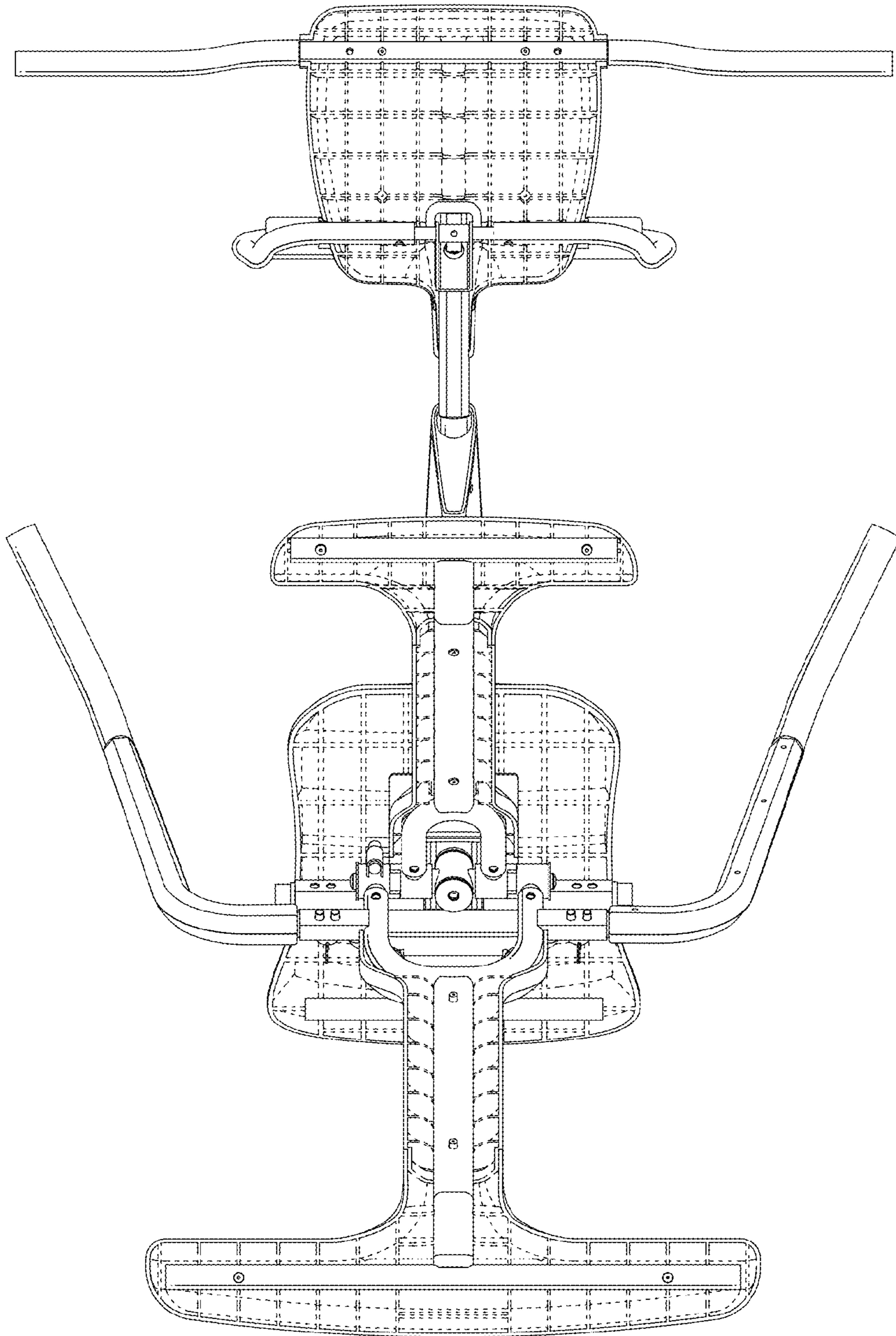


FIG. 7