



US00D703279S

(12) **United States Design Patent**
Ho

(10) **Patent No.:** **US D703,279 S**
(45) **Date of Patent:** **** Apr. 22, 2014**

(54) **PILATES EXERCISER**

(71) Applicant: **Wei-Teh Ho**, Taipei (TW)

(72) Inventor: **Wei-Teh Ho**, Taipei (TW)

(**) Term: **14 Years**

(21) Appl. No.: **29/451,838**

(22) Filed: **Apr. 9, 2013**

(51) **LOC (10) Cl.** **21-02**

(52) **U.S. Cl.**
USPC **D21/673**

(58) **Field of Classification Search**
USPC D21/662, 665–666, 671, 673–676, 679,
D21/686, 690, 691, 693, 694; 482/72,
482/92–97, 99–100, 102–103, 121–123,
482/130, 140–142; D24/183
See application file for complete search history.

(56) **References Cited**

U.S. PATENT DOCUMENTS

4,884,802	A *	12/1989	Graham	482/130
5,364,327	A *	11/1994	Graham	482/122
D362,700	S *	9/1995	Breibart et al.	D21/673
5,607,381	A *	3/1997	Endelman	482/142
D382,319	S *	8/1997	Gerschefske et al.	D21/674
D405,132	S *	2/1999	Westfall et al.	D21/676
5,967,950	A *	10/1999	Hsu	482/96
6,527,685	B2 *	3/2003	Endelman et al.	482/121
6,827,675	B1 *	12/2004	Graham	482/122
6,926,650	B2 *	8/2005	Endelman et al.	482/121
7,104,937	B2 *	9/2006	Arbuckle et al.	482/142
7,198,592	B1 *	4/2007	Mancini	482/140

D556,274	S *	11/2007	Morgan	D21/662
7,674,211	B2 *	3/2010	Uygan	482/123
7,803,095	B1 *	9/2010	LaGree	482/140
7,806,805	B2 *	10/2010	Barufka et al.	482/5
8,137,247	B2 *	3/2012	Gerschefske et al.	482/96
D659,205	S *	5/2012	Endelman et al.	D21/686
8,394,005	B2 *	3/2013	Solow et al.	482/121
8,439,810	B2 *	5/2013	Baudhuin	482/92
8,506,462	B2 *	8/2013	Gregor et al.	482/142
2002/0058573	A1 *	5/2002	Endelman et al.	482/142
2004/0176227	A1 *	9/2004	Endelman	482/142
2008/0248935	A1 *	10/2008	Solow et al.	482/142
2010/0004101	A1 *	1/2010	Solow et al.	482/96

* cited by examiner

Primary Examiner — Phillip S Hyder

(74) *Attorney, Agent, or Firm* — Blakely Sokoloff Taylor & Zafman LLP

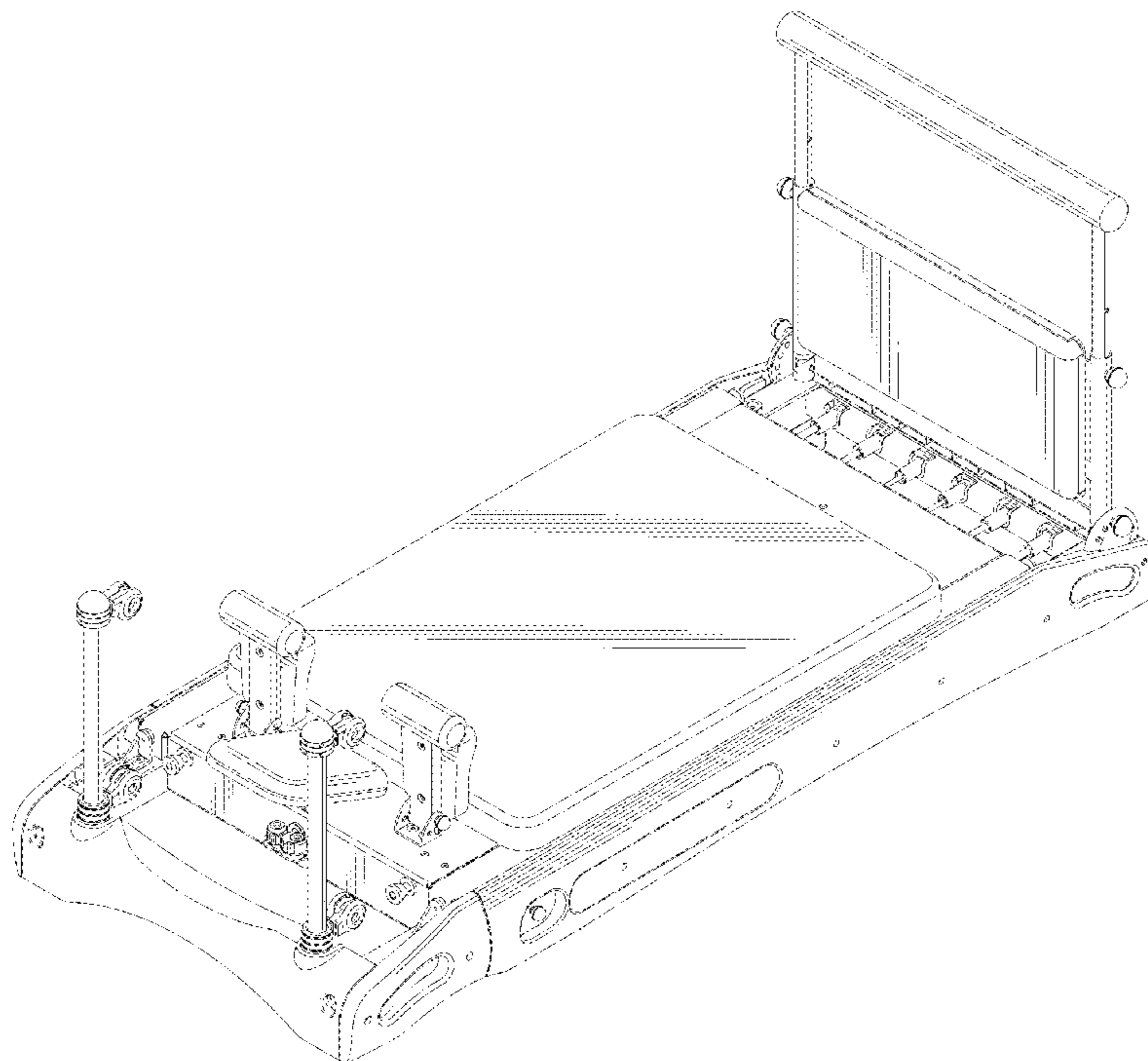
(57) **CLAIM**

The ornamental design for a pilates exerciser, as shown and described.

DESCRIPTION

FIG. 1 is a perspective view showing the new design for a pilates exerciser machine;
FIG. 2 is a front view thereof;
FIG. 3 is rear view thereof;
FIG. 4 is a right side view thereof;
FIG. 5 is a left side view thereof; and,
FIG. 6 is a top view thereof.
Broken lines illustrate portions of the abdomen exerciser outside the scope of the claimed design.

1 Claim, 5 Drawing Sheets



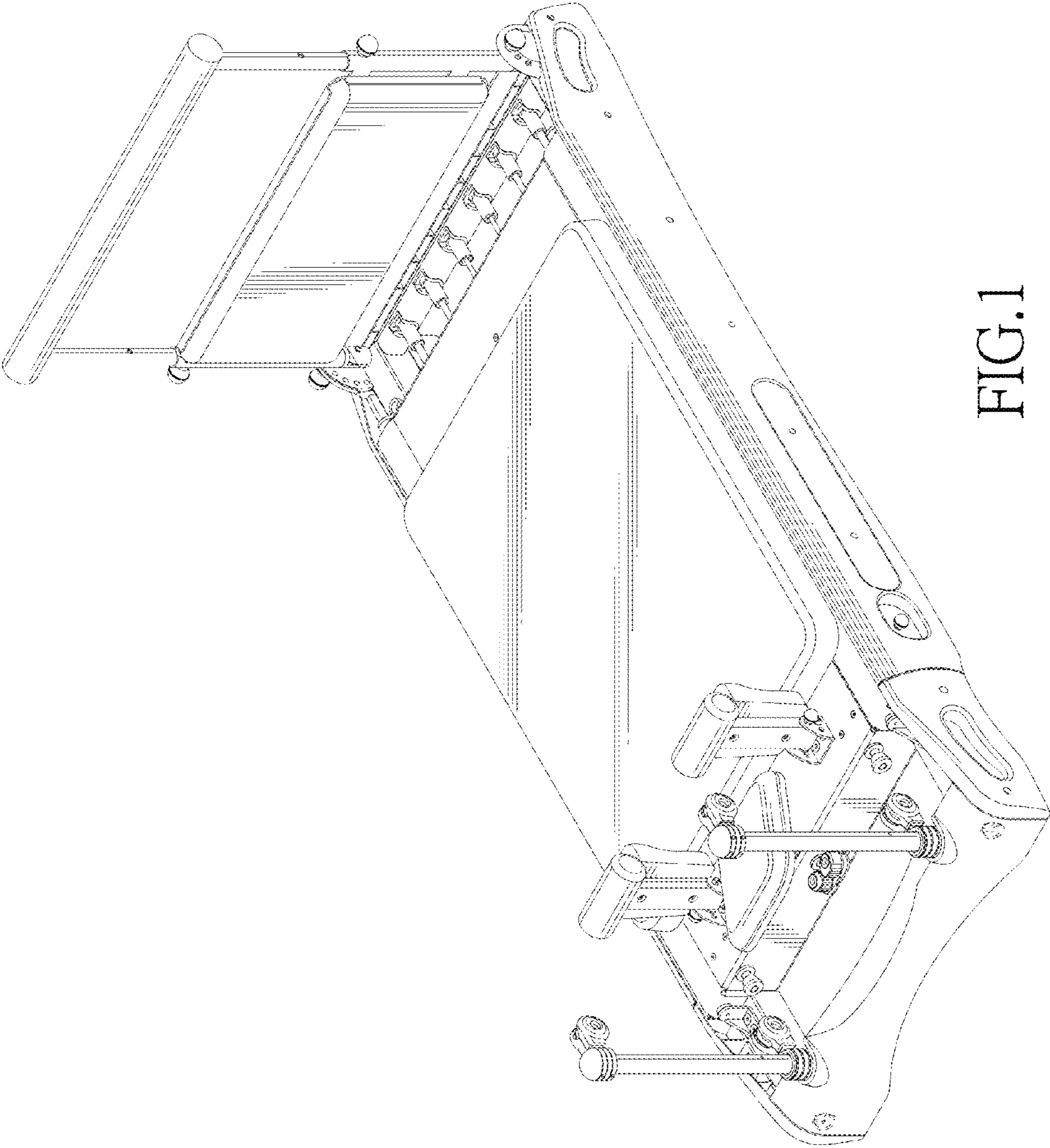


FIG. 1

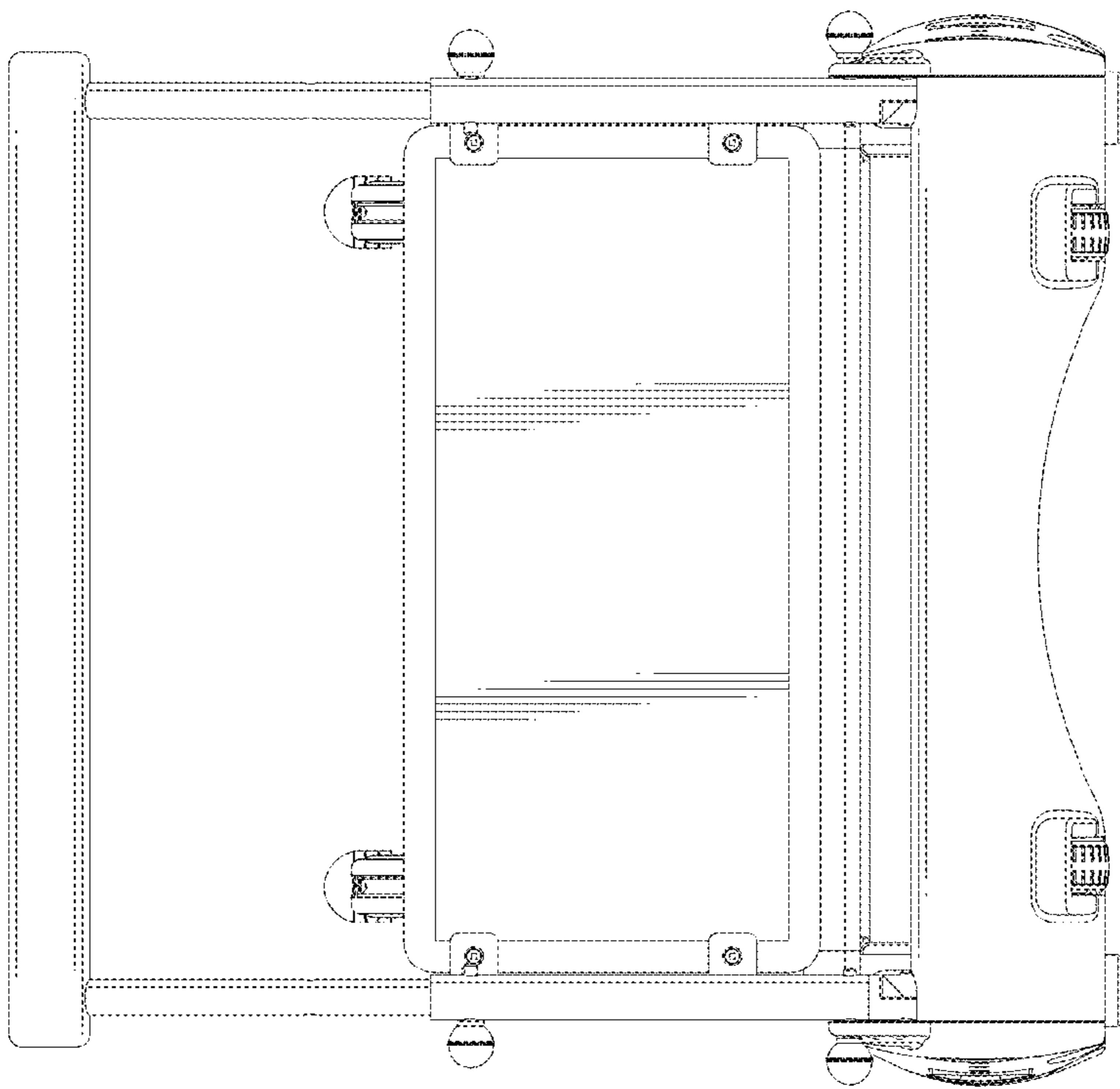


FIG.3

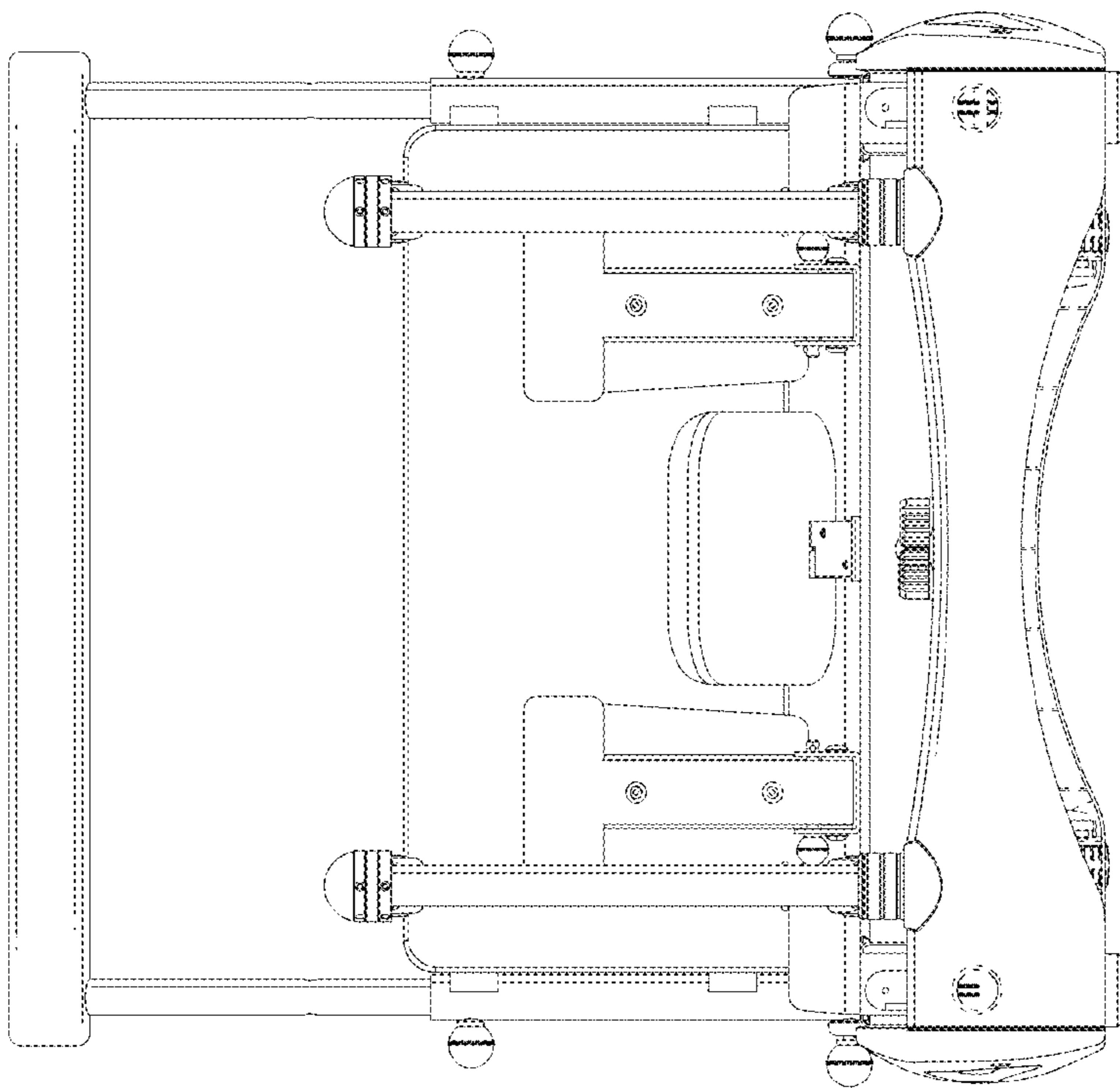


FIG.2

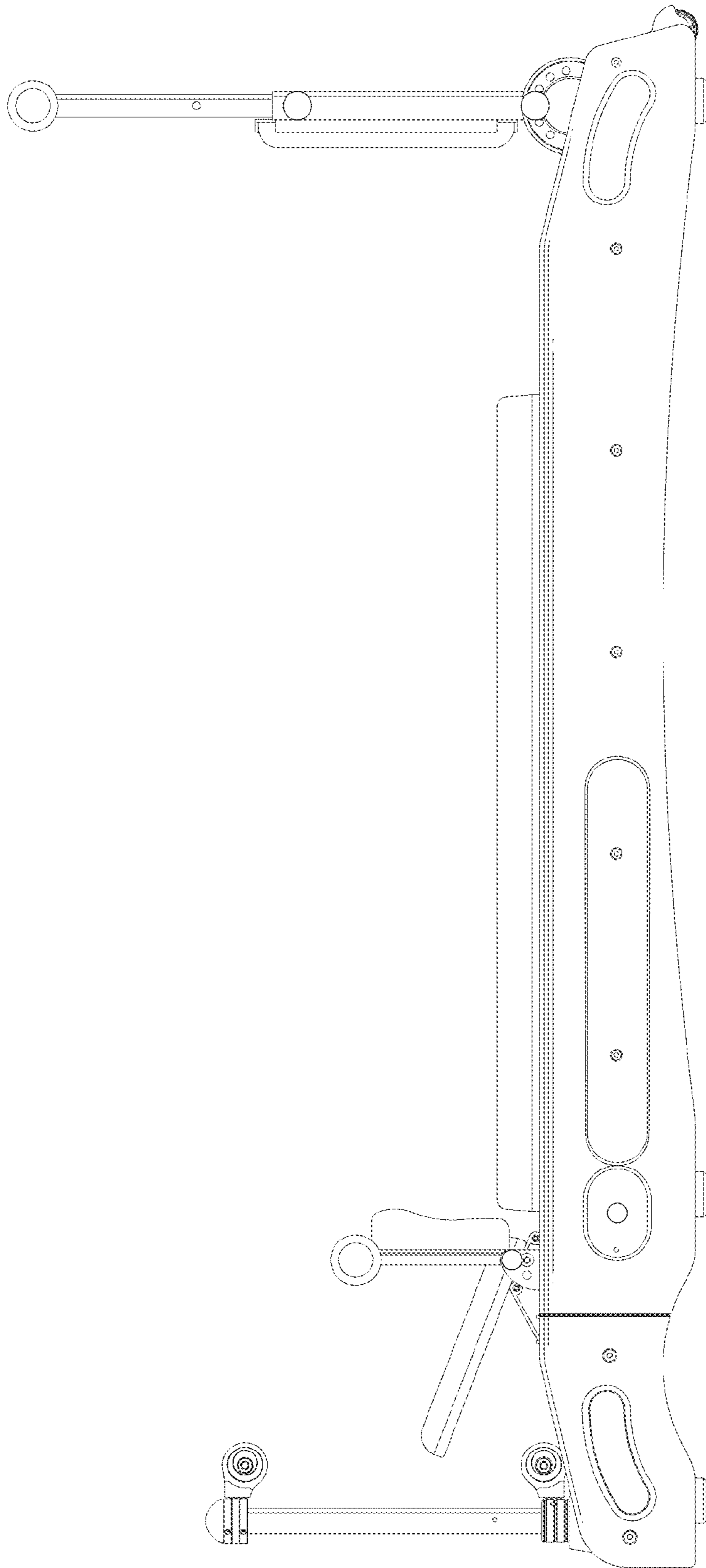


FIG.4

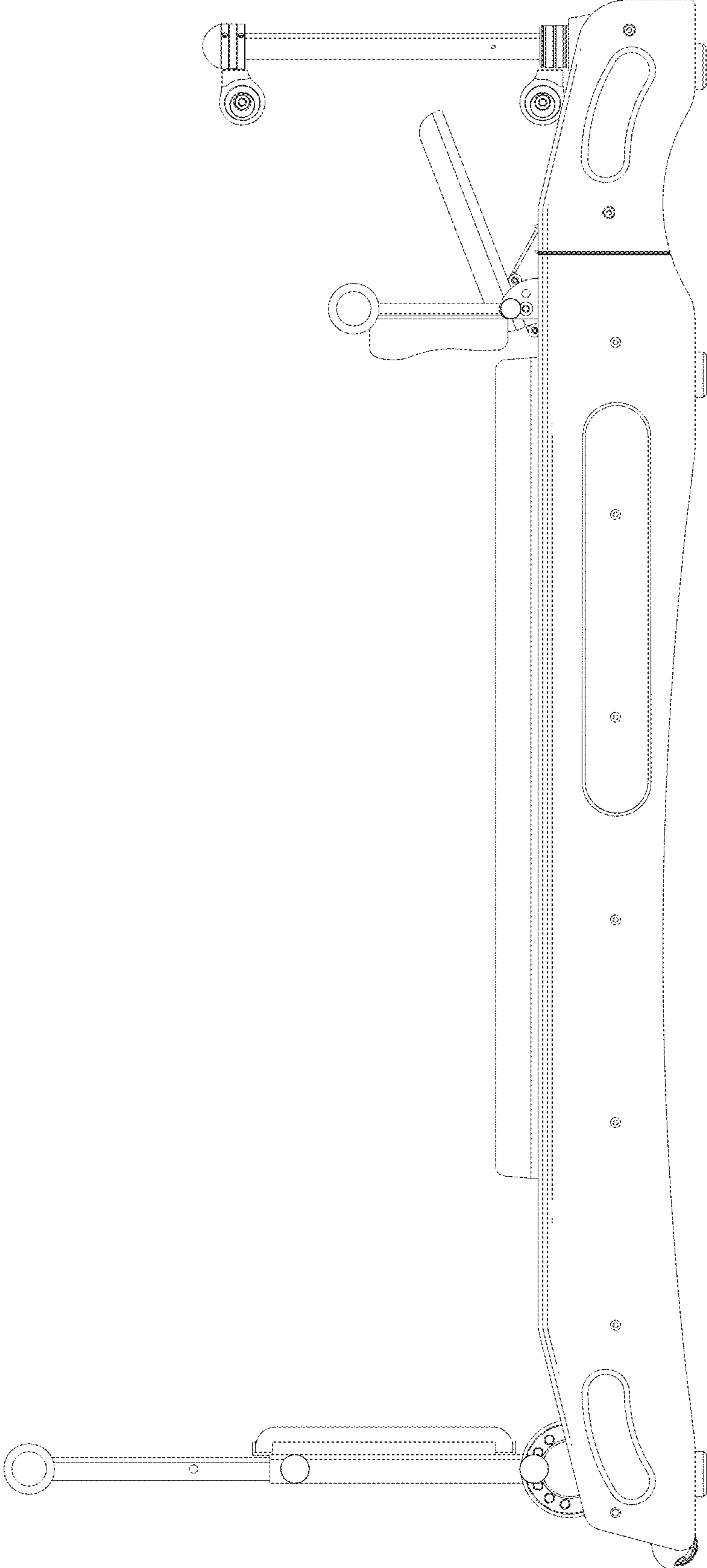


FIG.5

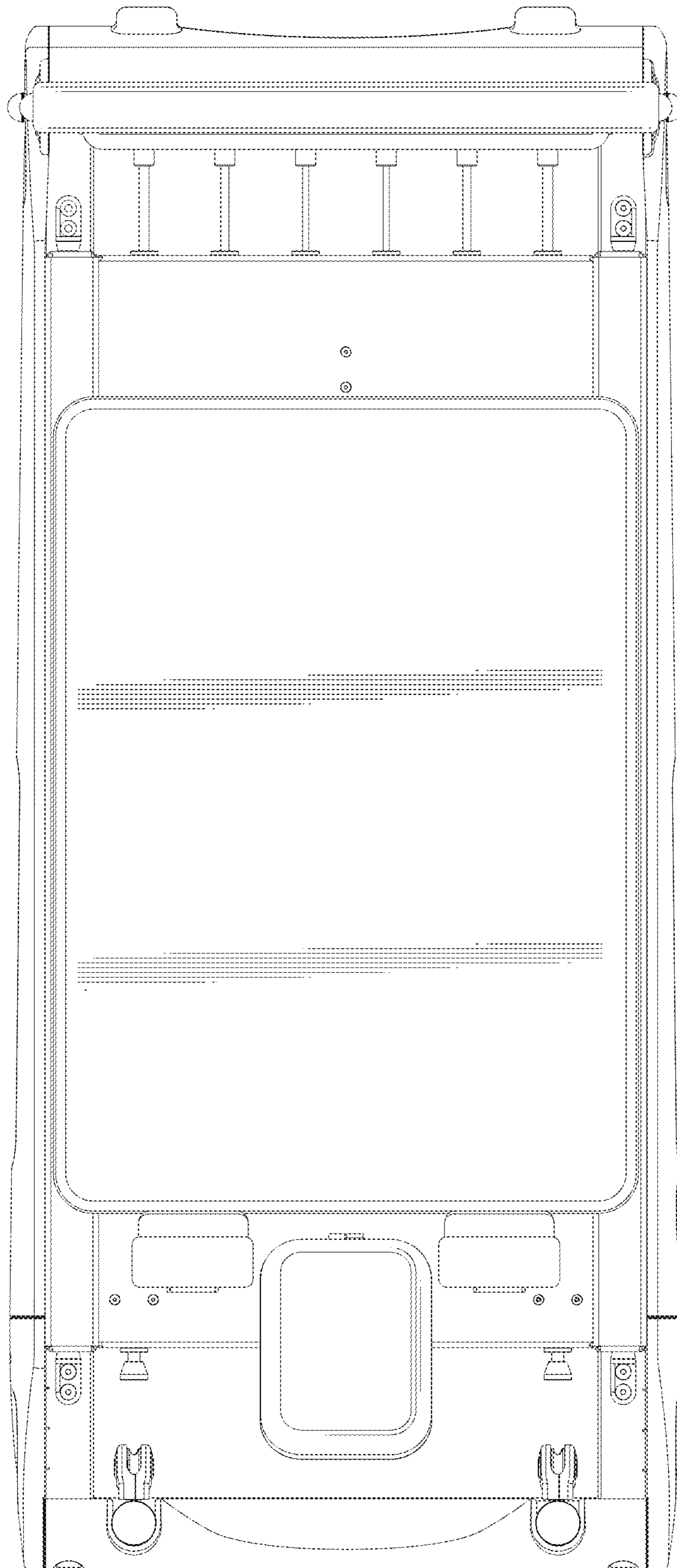


FIG.6