



US00D703278S

(12) **United States Design Patent**
Horita

(10) **Patent No.:** **US D703,278 S**
(45) **Date of Patent:** **** Apr. 22, 2014**

(54) **EXERCISE DEVICE**

(75) Inventor: **Sean Horita**, Woodinville, WA (US)

(73) Assignee: **Precor Incorporated**, Woodinville, WA (US)

(**) Term: **14 Years**

(21) Appl. No.: **29/414,374**

(22) Filed: **Feb. 28, 2012**

(51) **LOC (10) Cl.** **21-02**

(52) **U.S. Cl.**
USPC **D21/668**

(58) **Field of Classification Search**
USPC D21/662, 663, 666, 667, 668, 670, 671, D21/686, 689, 691, 694, 697; 482/4, 5, 51, 482/52, 57, 59, 60, 62, 63, 71, 72, 73, 118, 482/133, 137, 138, 142
See application file for complete search history.

7,641,598 B2	1/2010	Rodgers, Jr.	482/52
7,678,025 B2	3/2010	Rodgers, Jr.	482/52
7,708,668 B2	5/2010	Rodgers, Jr.	482/51
7,708,669 B2	5/2010	Rodgers, Jr.	482/52
D624,613 S *	9/2010	Hsiung	D21/668
7,811,208 B2	10/2010	Rodgers, Jr.	482/52
7,828,698 B2	11/2010	Rodgers, Jr.	482/52
7,833,133 B2	11/2010	Stewart et al.	482/52
7,874,963 B2	1/2011	Grind	482/71
7,878,947 B1	2/2011	Rodgers, Jr.	482/52
7,887,465 B2	2/2011	Uffelman	482/52
7,922,625 B2	4/2011	Grind	482/52
D640,337 S *	6/2011	Liu	D21/666
7,988,600 B2	8/2011	Rodgers, Jr.	482/52
8,021,275 B2	9/2011	Rodgers, Jr.	482/52
8,092,351 B1	1/2012	Rodgers, Jr.	482/52
8,105,213 B2	1/2012	Stewart et al.	482/52
2008/0161163 A1	7/2008	Stewart et al.	482/51
2010/0167877 A1	7/2010	Grind	482/52
2010/0204017 A1	8/2010	Uffelman	482/52
2010/0267524 A1	10/2010	Stewart et al.	482/52

* cited by examiner

Primary Examiner — Phillip S Hyder
(74) *Attorney, Agent, or Firm* — Terence P. O'Brien

(56) **References Cited**

U.S. PATENT DOCUMENTS

D388,847 S *	1/1998	Whan-Tong et al.	D21/670
D405,852 S *	2/1999	McBride	D21/670
6,004,244 A *	12/1999	Simonson	482/52
D449,356 S *	10/2001	Arnold et al.	D21/668
D464,688 S *	10/2002	May et al.	D21/668
6,840,892 B1 *	1/2005	Wu	482/51
D530,758 S *	10/2006	Kim	D21/668
D559,925 S *	1/2008	Horita	D21/670
D564,051 S *	3/2008	Giannelli et al.	D21/668
D565,130 S *	3/2008	Olson	D21/670
D567,314 S	4/2008	Horita	D21/694
D570,430 S	6/2008	Horita	D21/694
D575,837 S	8/2008	Horita	D21/694
7,507,184 B2	3/2009	Rodgers, Jr.	482/52
7,520,839 B2	4/2009	Rodgers, Jr.	482/52
7,530,926 B2	5/2009	Rodgers, Jr.	482/52

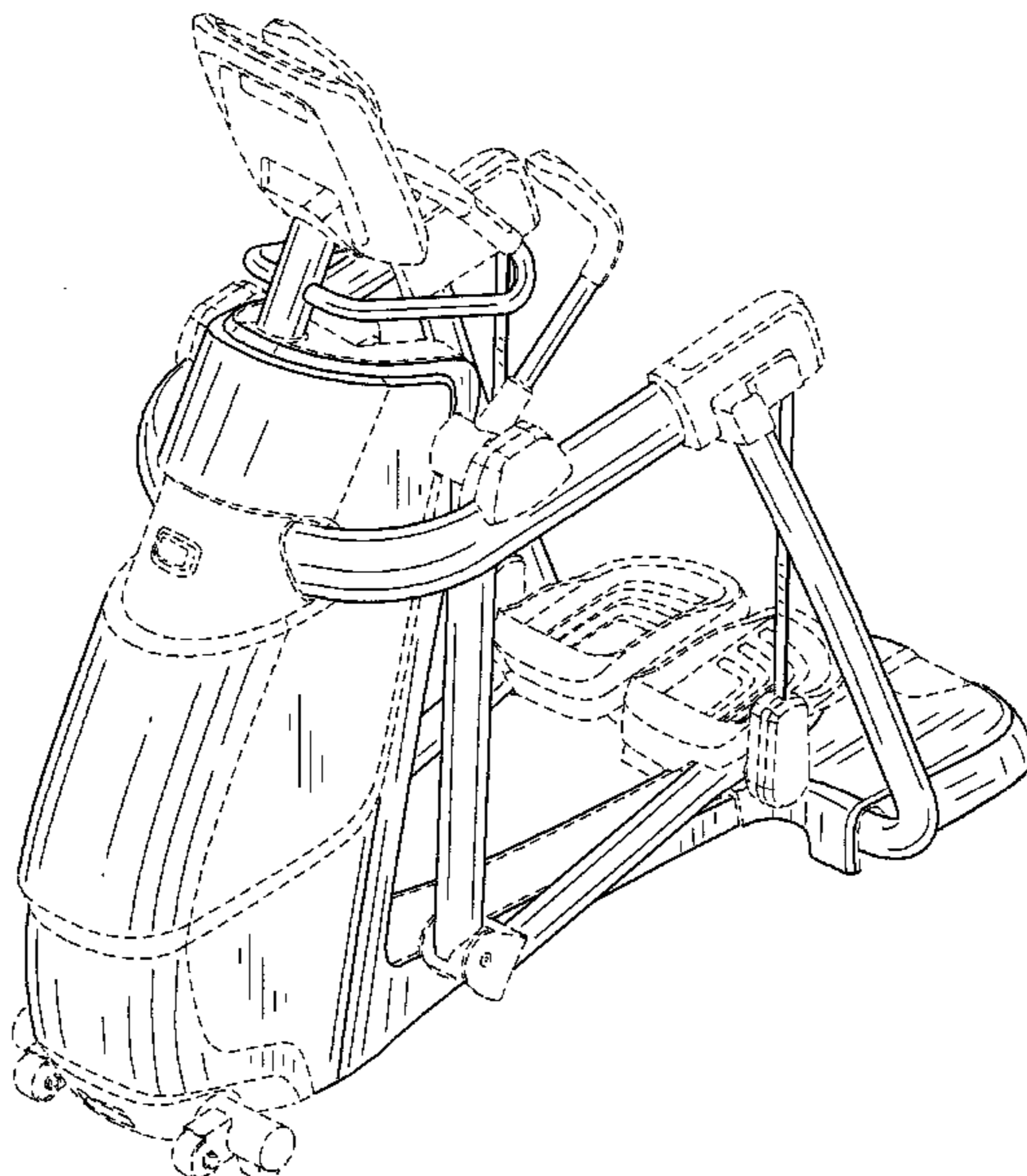
(57) **CLAIM**

I claim the ornamental design for an exercise device, as shown and described.

DESCRIPTION

FIG. 1 is a front side perspective view of an exercise device; FIG. 2 is a side view of the exercise device of FIG. 1; FIG. 3 is a top view of the exercise device of FIG. 1; FIG. 4 is a front view of the exercise device of FIG. 1; FIG. 5 is a rear view of the exercise device of FIG. 1; and, FIG. 6 is a bottom view of the exercise device of FIG. 1. The broken (dashed) lines shown in the drawings are included for the purpose of illustrating environmental elements only and form no part of the claimed design.

1 Claim, 6 Drawing Sheets



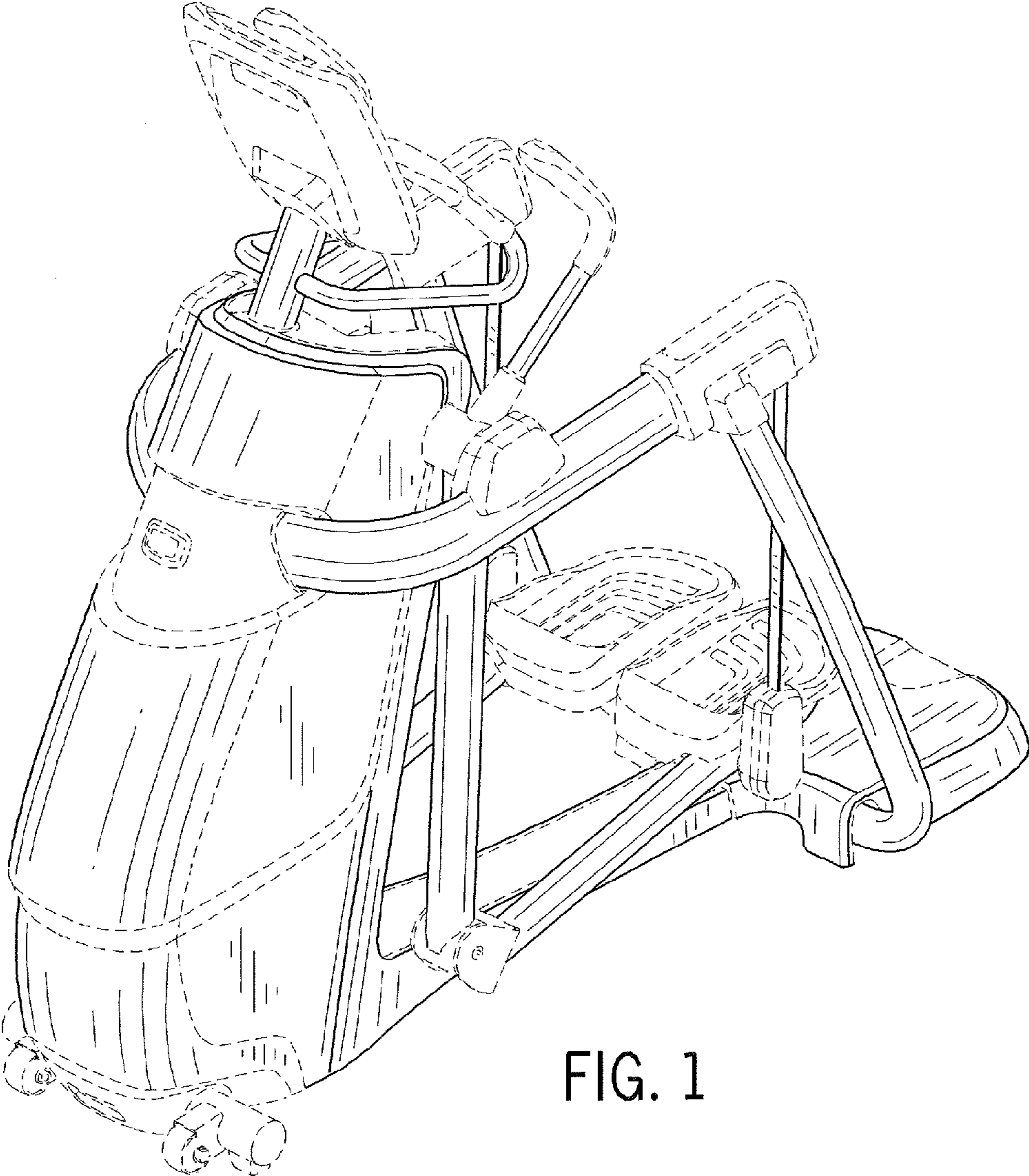


FIG. 1

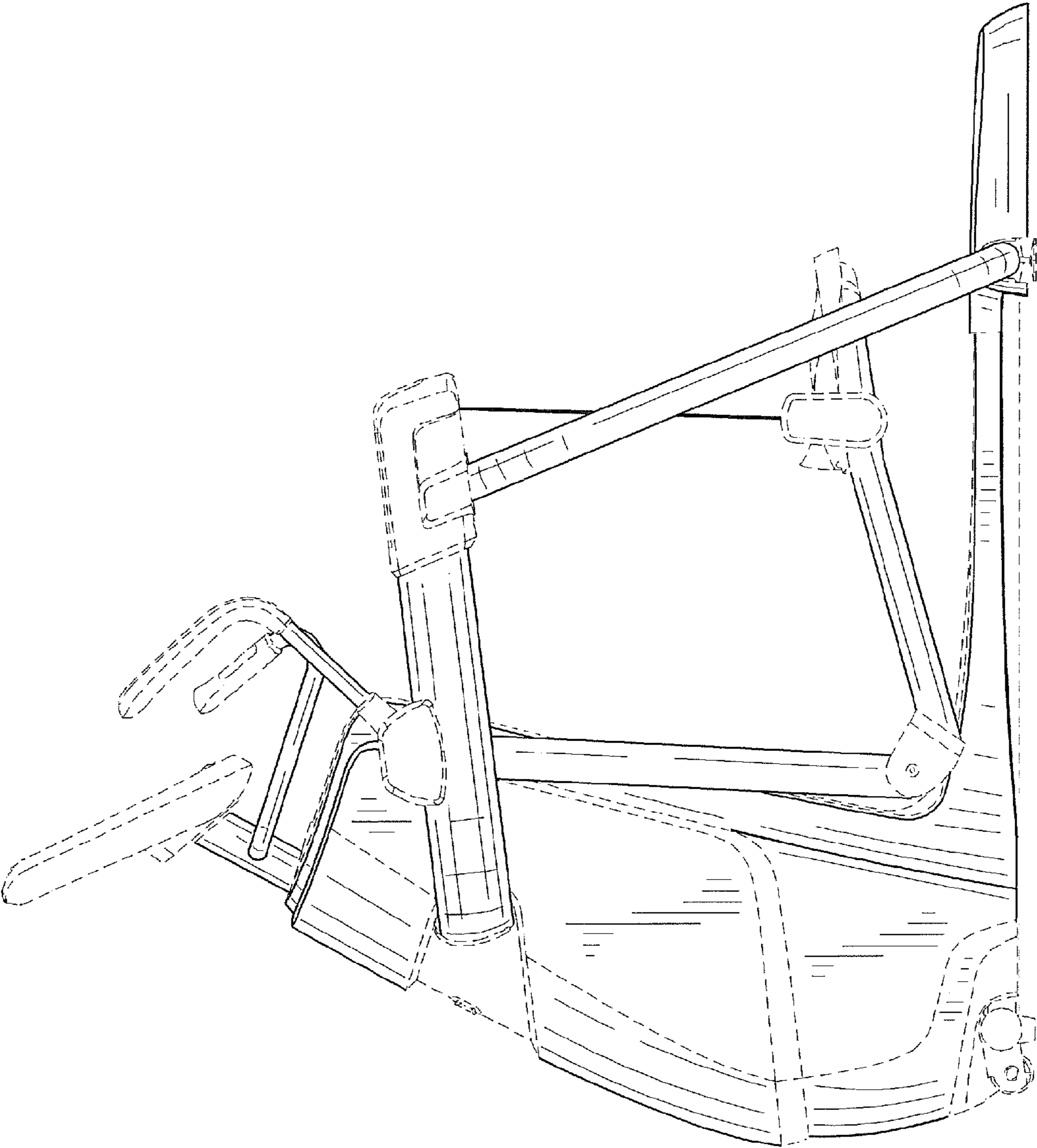


FIG. 2

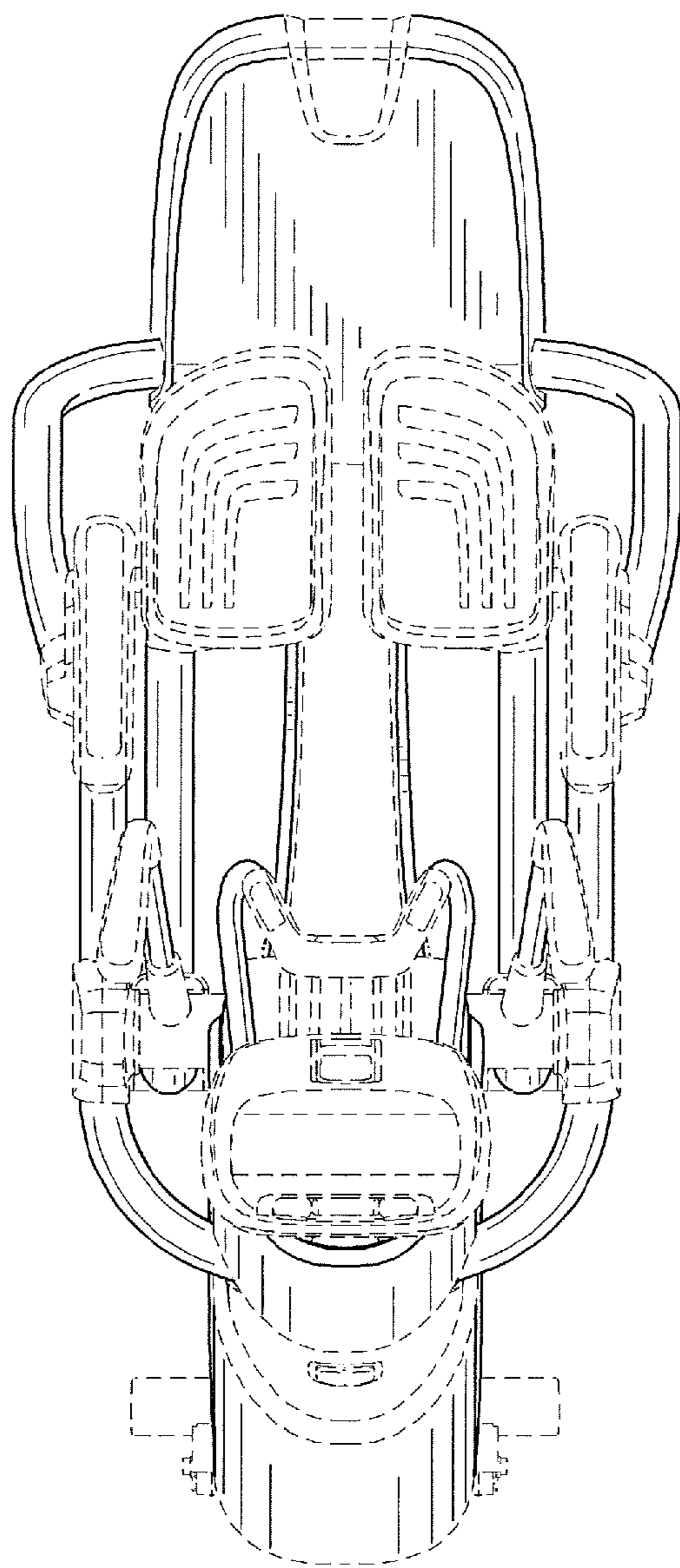


FIG. 3

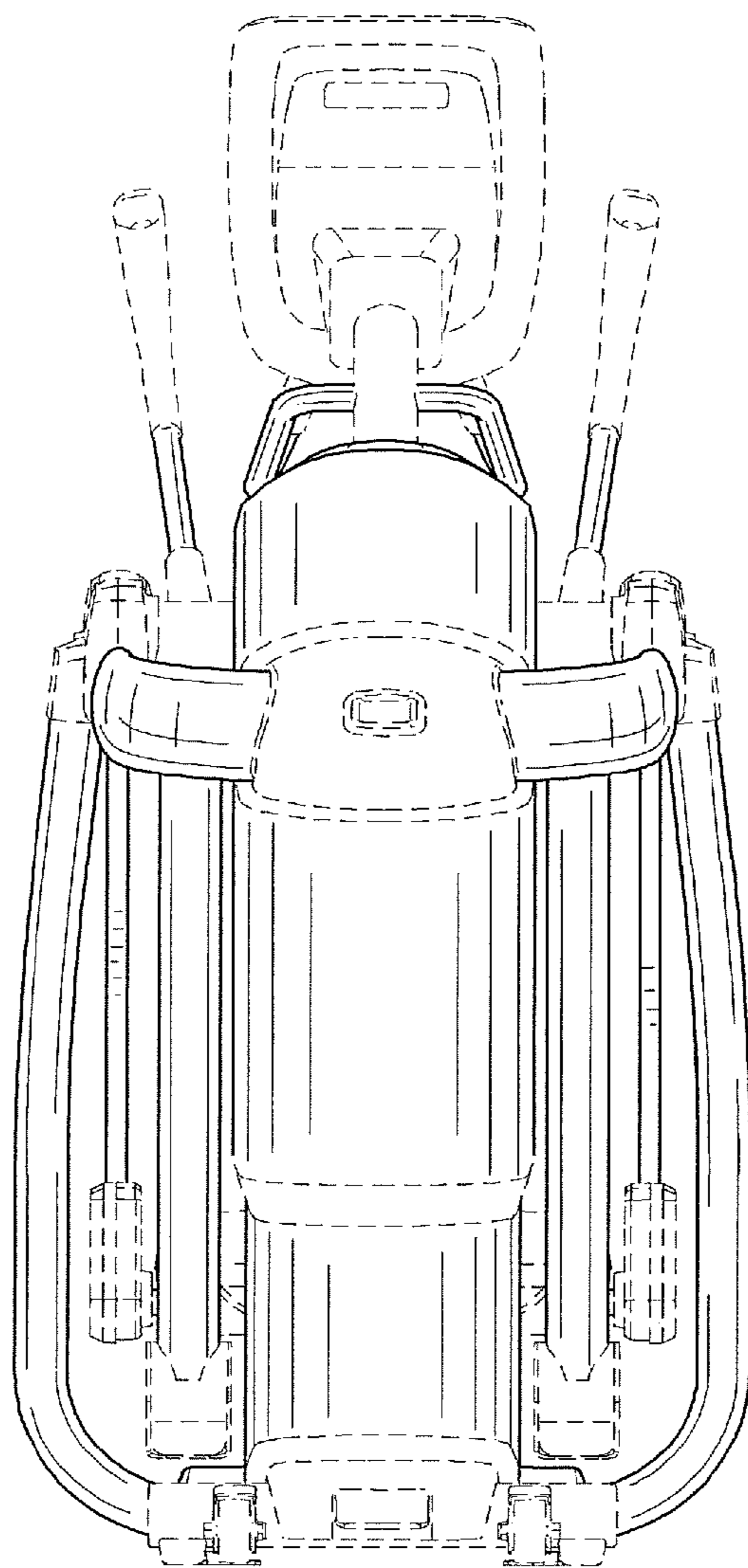


FIG. 4

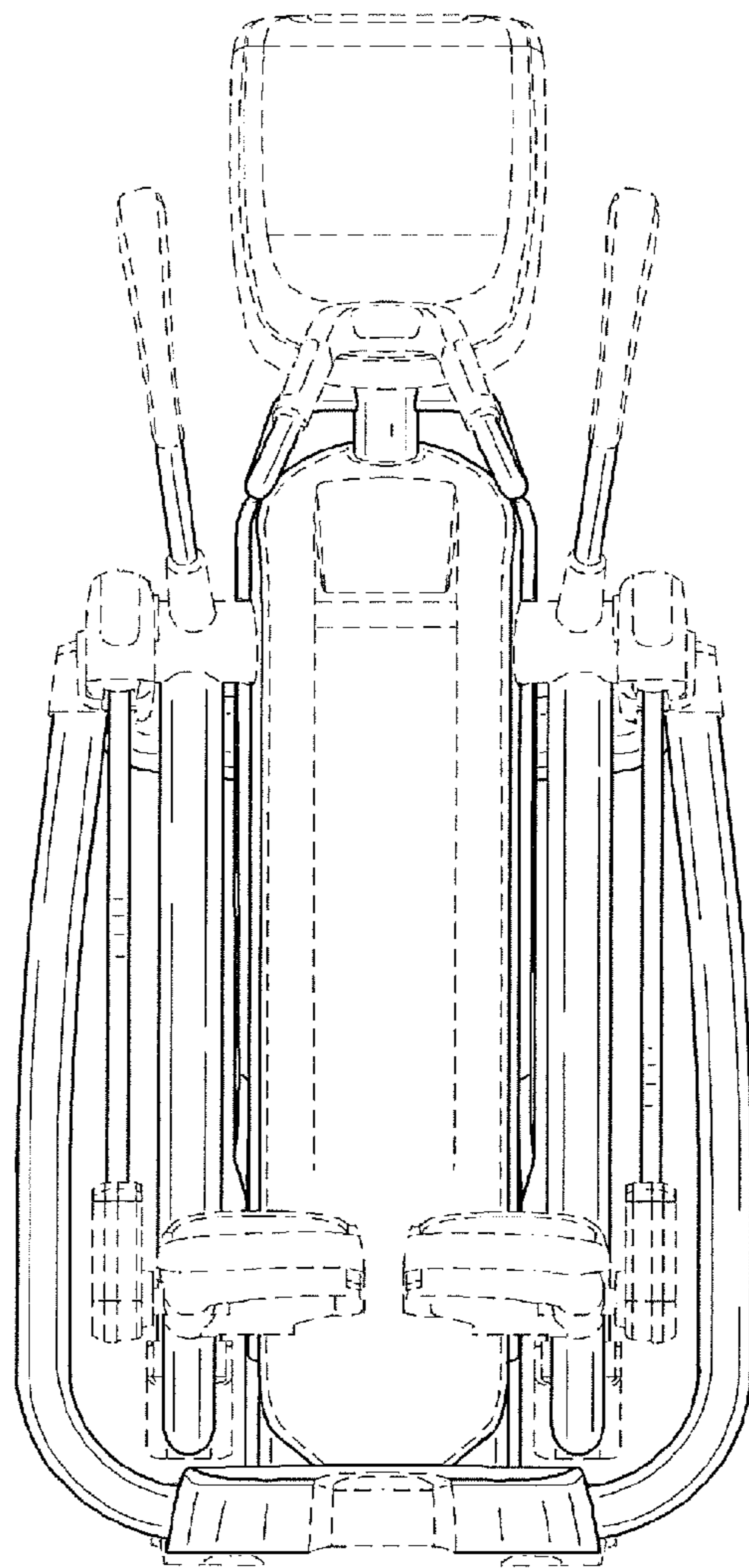


FIG. 5

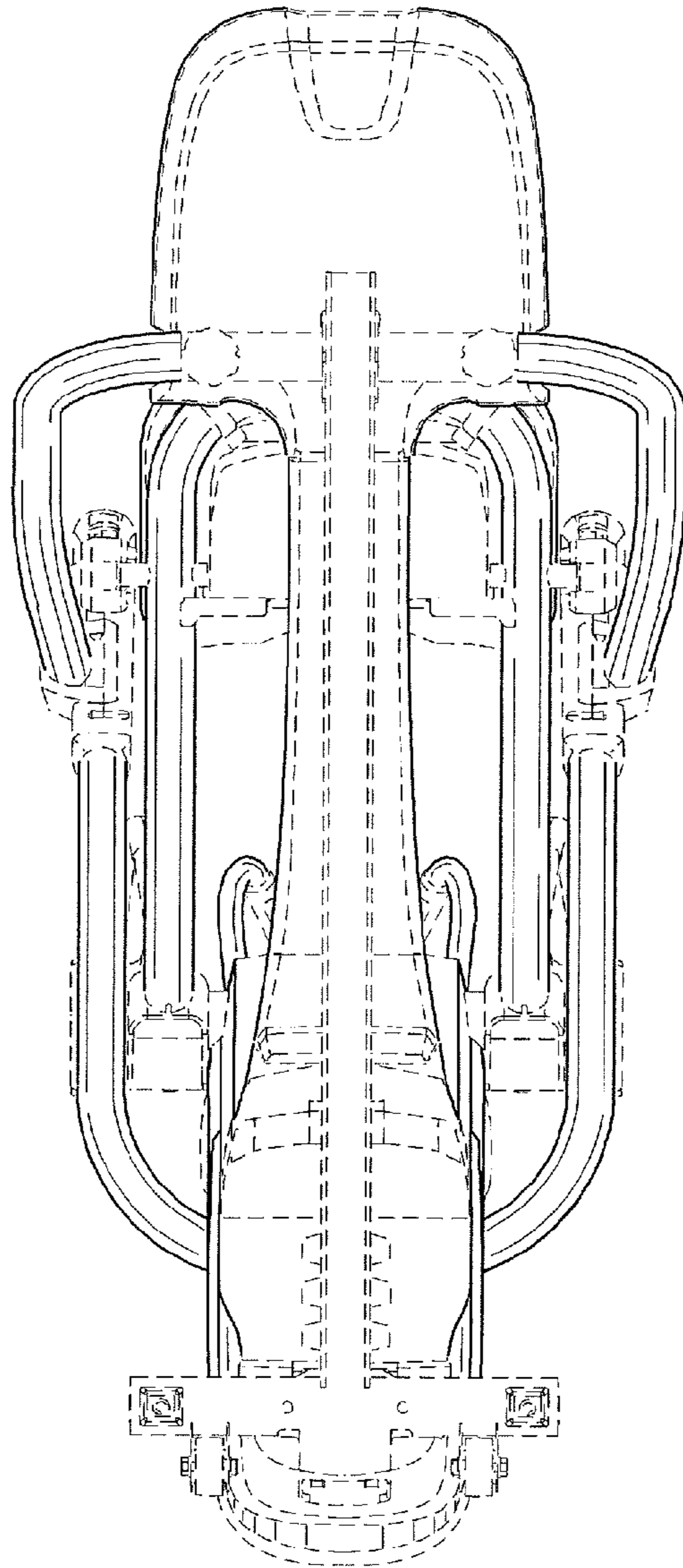


FIG. 6