



US00D703276S

(12) **United States Design Patent**
Murayama et al.

(10) **Patent No.:** **US D703,276 S**

(45) **Date of Patent:** **** Apr. 22, 2014**

(54) **SWORD-SHAPED TOY**

(71) Applicants: **Takamichi Murayama**, Tokyo (JP);
Masahiro Ueda, Tokyo (JP); **Aoki**
Christopher Lloyd, Tokyo (JP);
Takahito Omori, Tokyo (JP); **Yoshihiro**
Takagi, Tokyo (JP)

(72) Inventors: **Takamichi Murayama**, Tokyo (JP);
Masahiro Ueda, Tokyo (JP); **Aoki**
Christopher Lloyd, Tokyo (JP);
Takahito Omori, Tokyo (JP); **Yoshihiro**
Takagi, Tokyo (JP)

(73) Assignee: **Bandai Co., Ltd.**, Tokyo (JP)

(**) Term: **14 Years**

(21) Appl. No.: **29/455,083**

(22) Filed: **May 16, 2013**

(30) **Foreign Application Priority Data**

Nov. 20, 2012 (JP) 2012-028313

(51) **LOC (10) Cl.** **21-01**

(52) **U.S. Cl.**
USPC **D21/568; D21/570**

(58) **Field of Classification Search**
USPC D21/567, 568, 570-573; D22/101, 104,
D22/105, 117, 118; D8/97-99, 102-104,
D8/107, 300, 305, 347; 30/162, 286, 295,
30/299, 346; 482/12; 446/15, 153, 175,
446/197, 219, 405, 473; 42/53, 90
See application file for complete search history.

(56) **References Cited**

U.S. PATENT DOCUMENTS

D48,510 S * 2/1916 Williams D22/101
2,805,507 A * 9/1957 Buquor 42/53

3,879,878 A * 4/1975 Musgrave 42/90
D355,224 S * 2/1995 Arad et al. D21/570
6,209,250 B1 * 4/2001 Mills 42/53
D457,579 S * 5/2002 Yiu D21/568
D461,868 S * 8/2002 Hall et al. D22/118
D495,394 S * 8/2004 Rae D22/118
D530,386 S * 10/2006 Betts et al. D22/101
D655,353 S * 3/2012 Hara et al. D21/568
D673,441 S * 1/2013 Sung D8/100

* cited by examiner

Primary Examiner — Cynthia M Chin

(74) *Attorney, Agent, or Firm* — Rabin & Berdo, P.C.

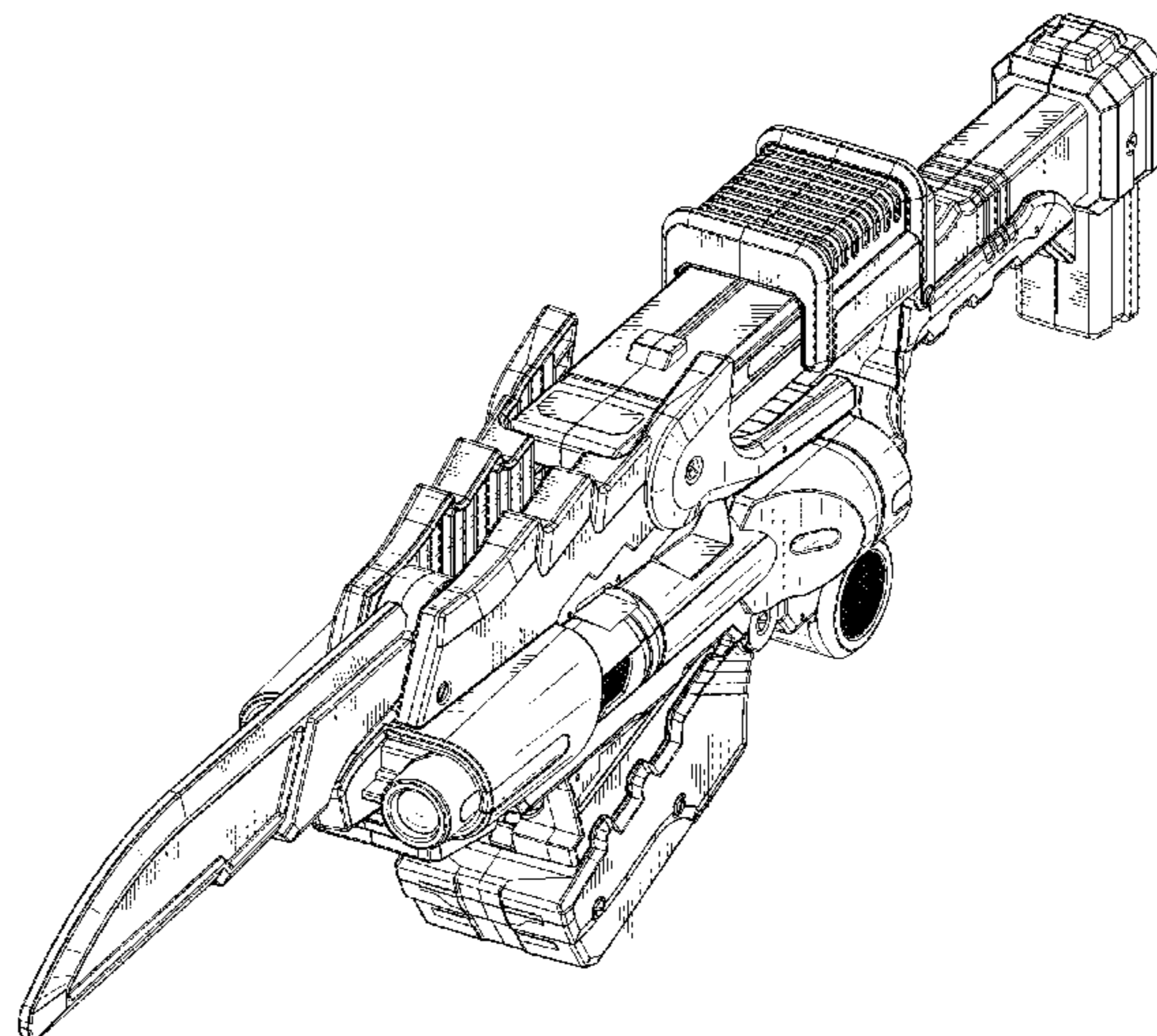
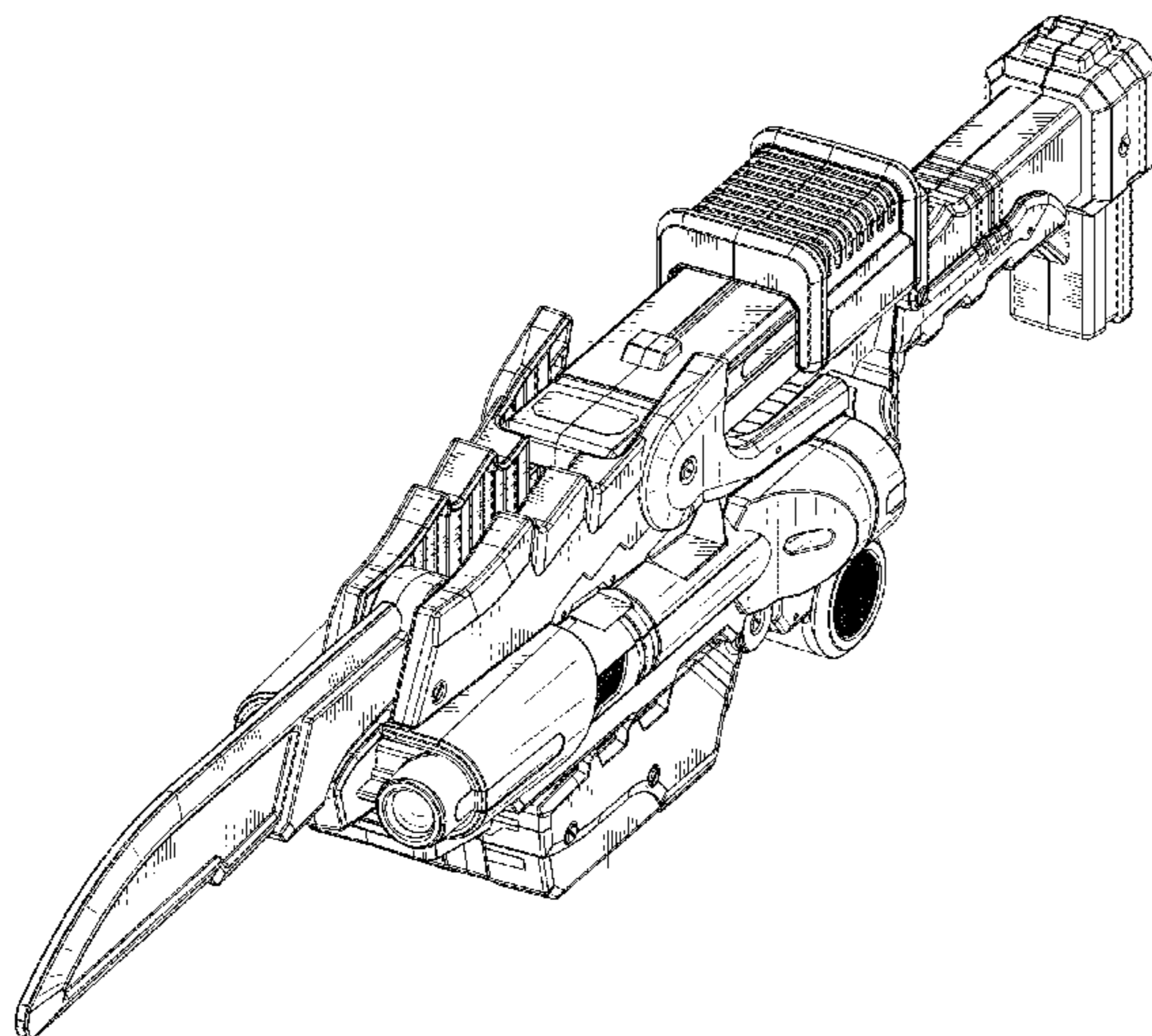
(57) **CLAIM**

The ornamental design for a sword-shaped toy, as shown and described.

DESCRIPTION

FIG. 1 is a front view of a sword-shaped toy;
FIG. 2 is a rear view thereof;
FIG. 3 is a left side view thereof;
FIG. 4 is a right side view thereof;
FIG. 5 is a top view thereof;
FIG. 6 is a bottom view thereof;
FIG. 7 is a perspective view thereof;
FIG. 8 is another perspective view thereof;
FIG. 9 is a front view of the sword-shaped toy in a transformed state;
FIG. 10 is a rear view of the transformed state thereof;
FIG. 11 is a left side view of the transformed state thereof;
FIG. 12 is a right side view of the transformed state thereof;
FIG. 13 is a top view of the transformed state thereof;
FIG. 14 is a bottom view of the transformed state thereof;
FIG. 15 is a perspective view of the transformed state thereof;
and,
FIG. 16 is another perspective view of the transformed state thereof.
The broken lines represent portions of the article that form no part of the claim.

1 Claim, 16 Drawing Sheets



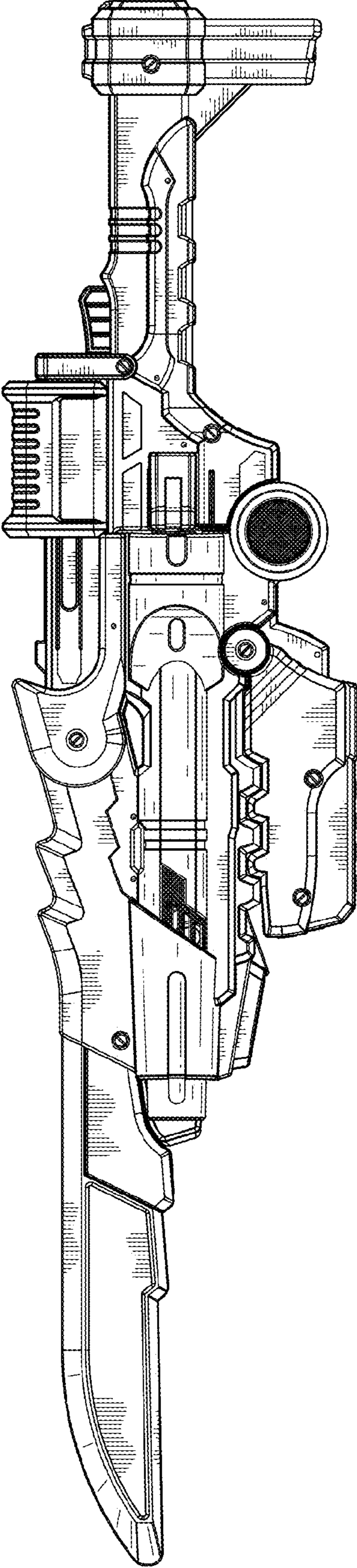


FIG. 1

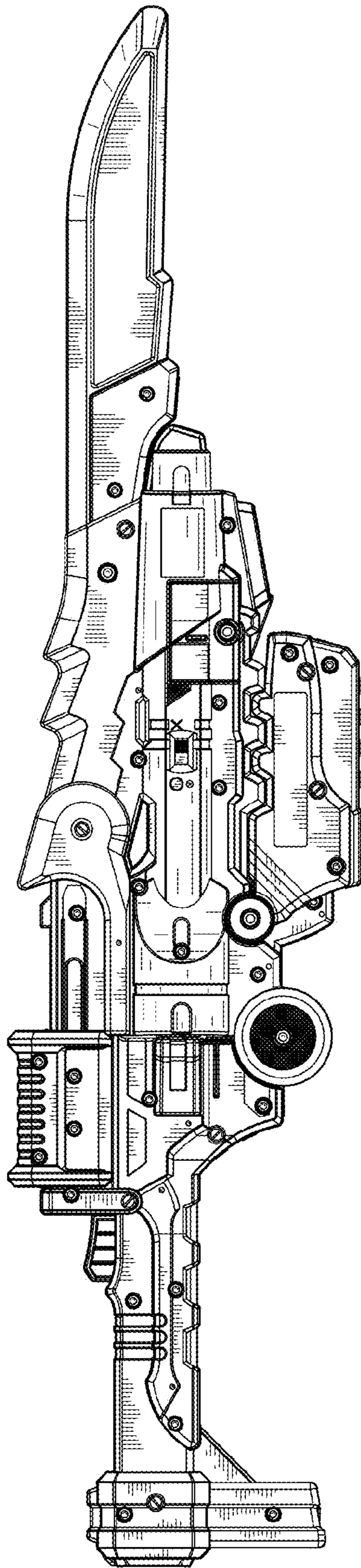


FIG. 2

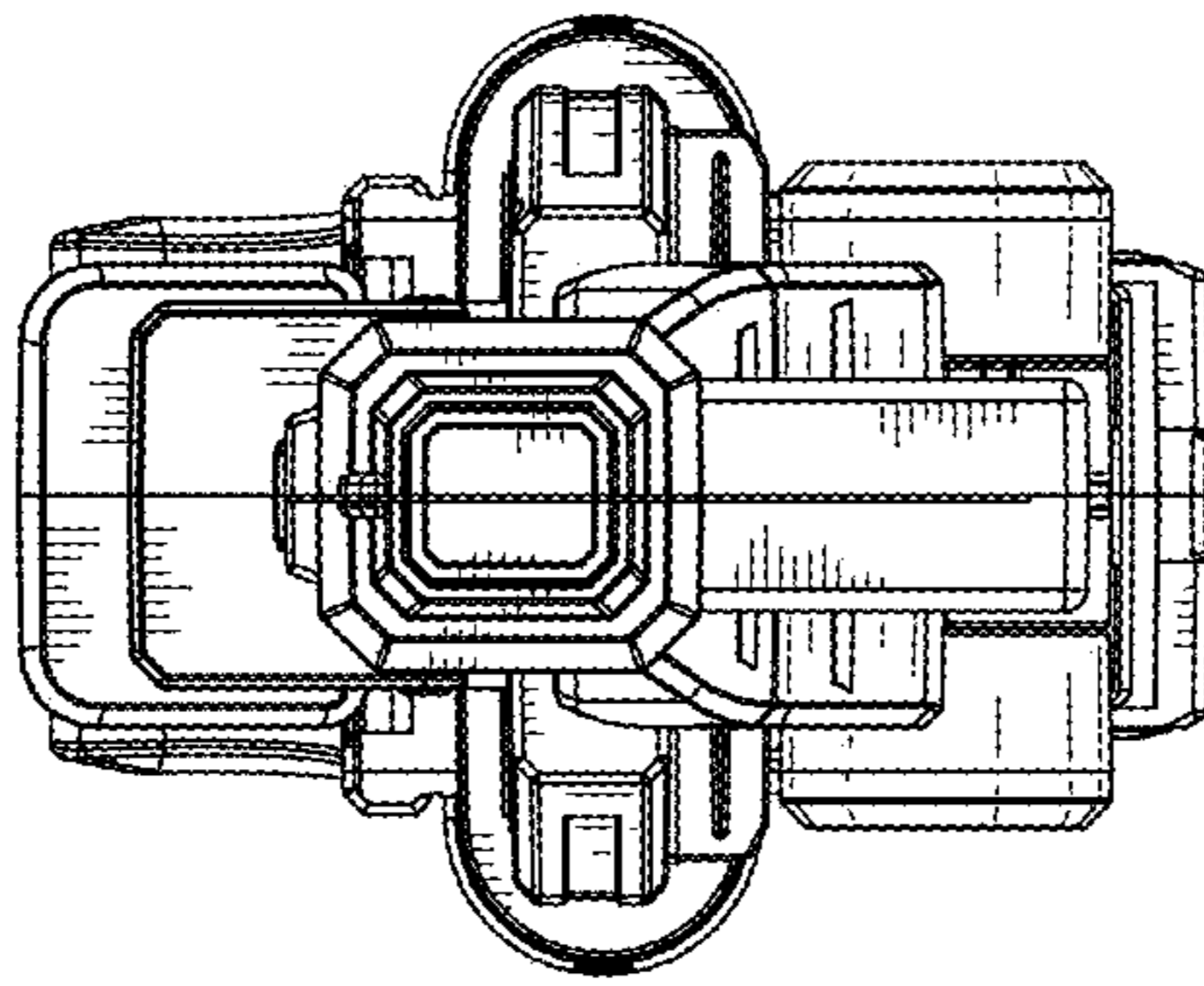


FIG. 3

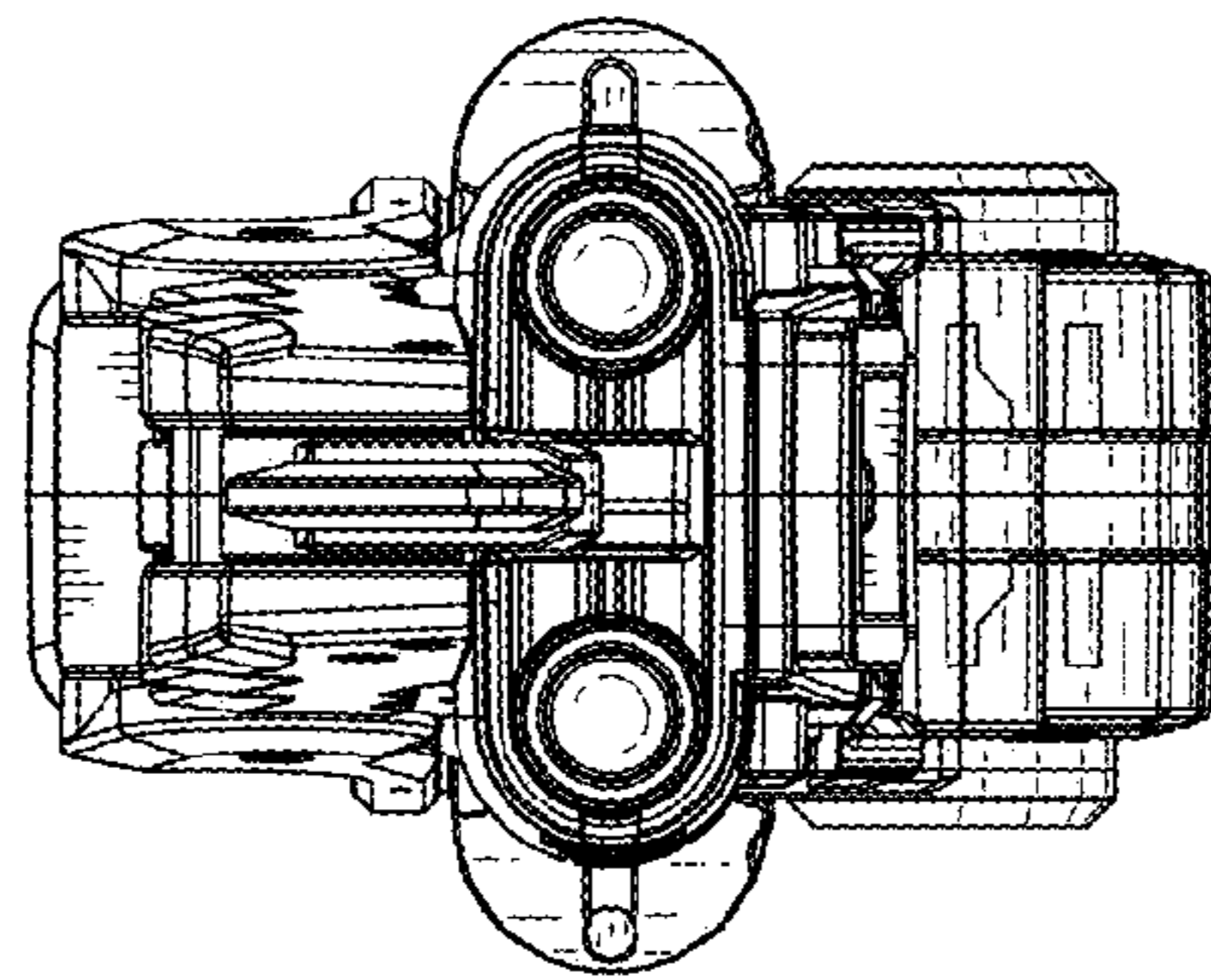


FIG. 4

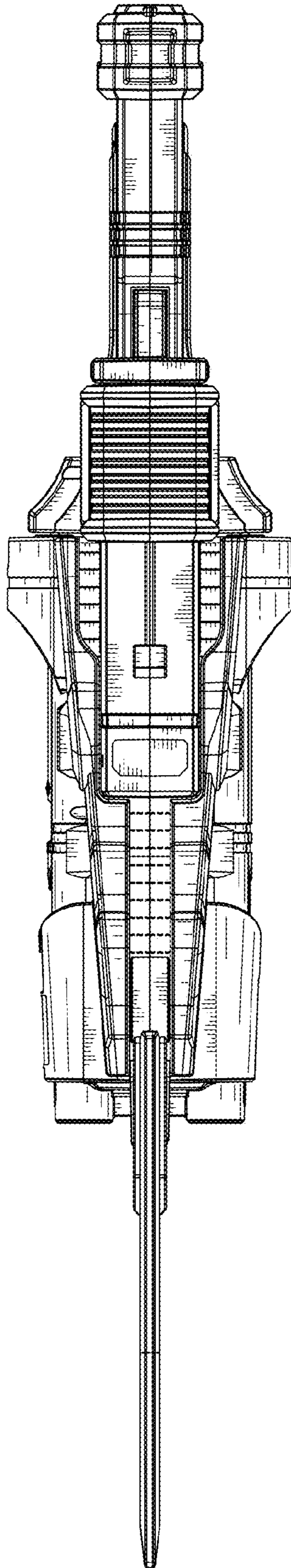


FIG. 5

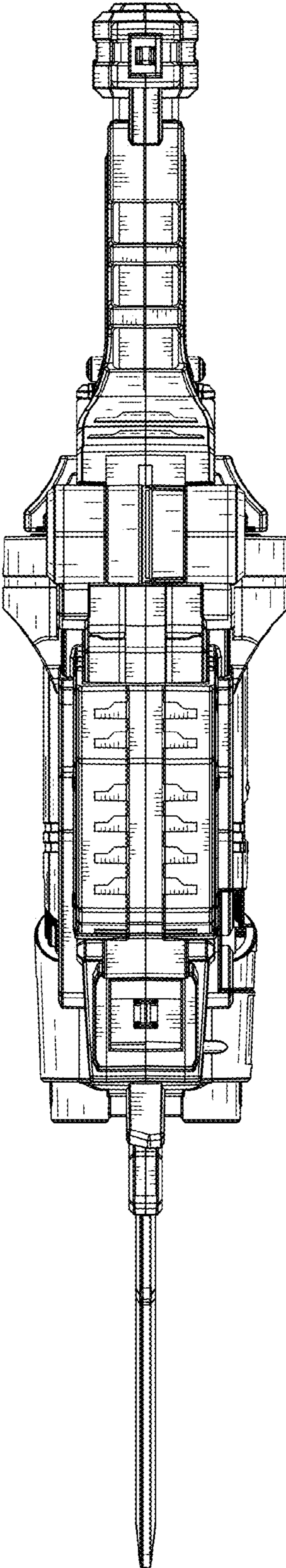


FIG. 6

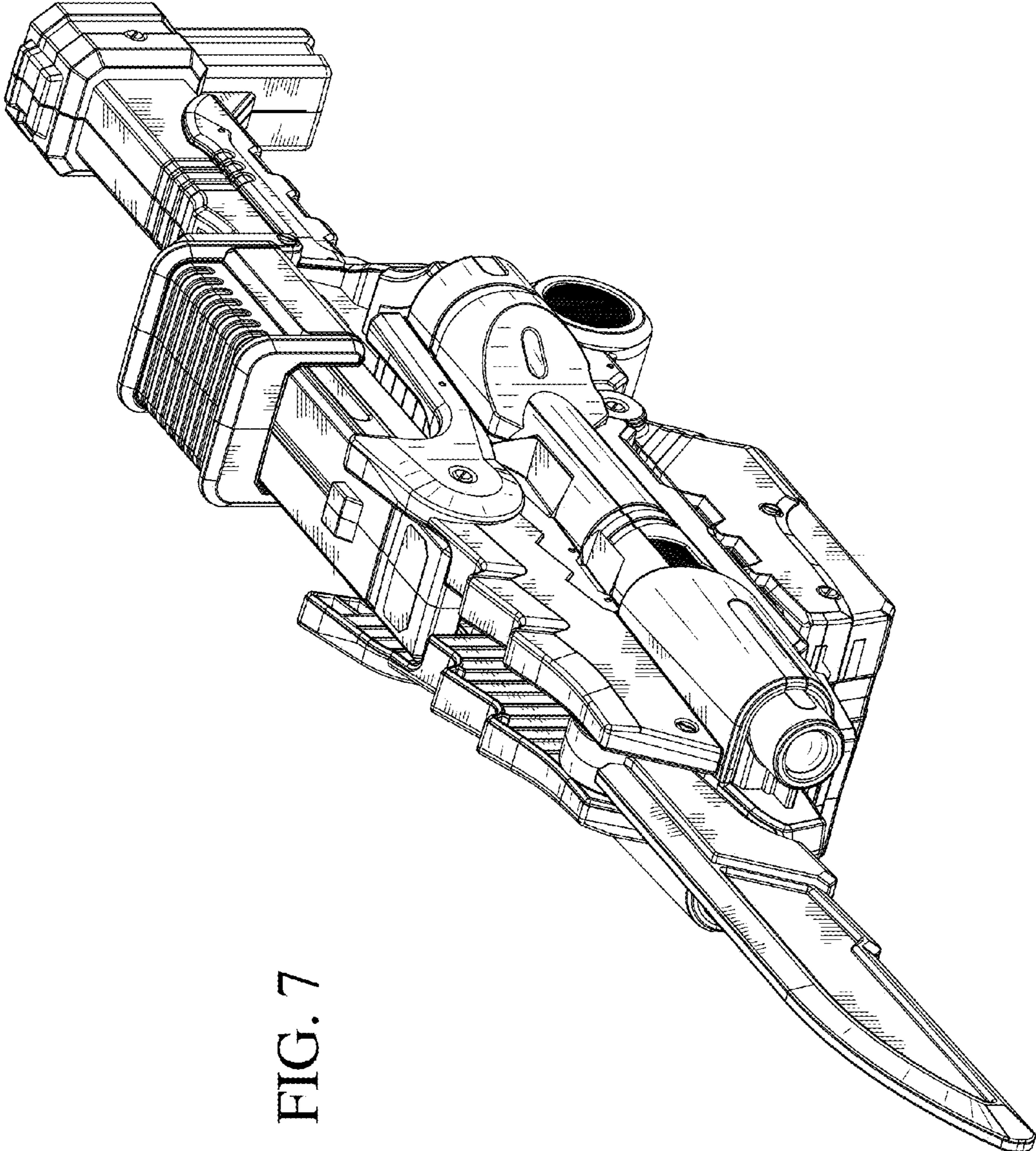
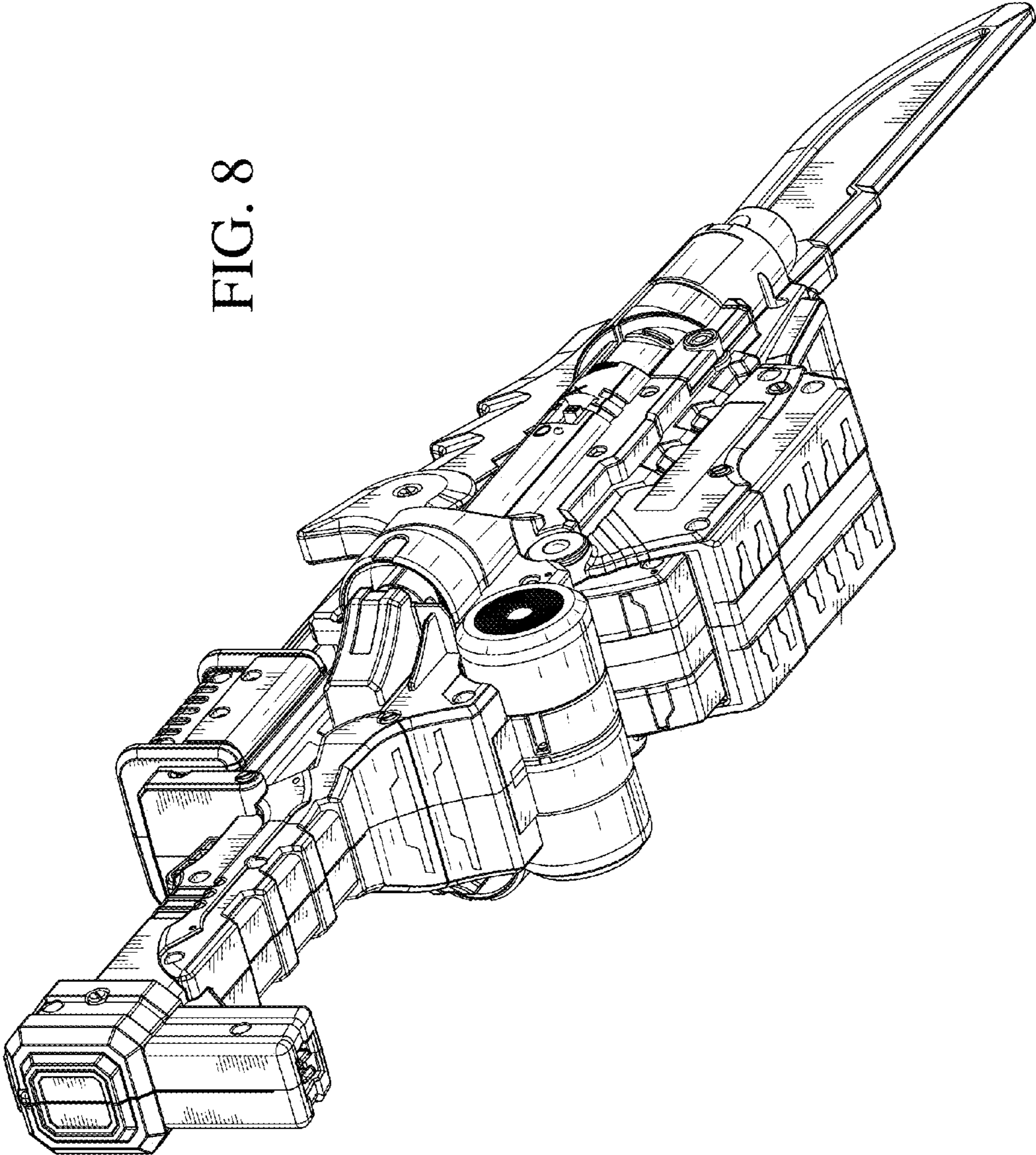


FIG. 7

FIG. 8



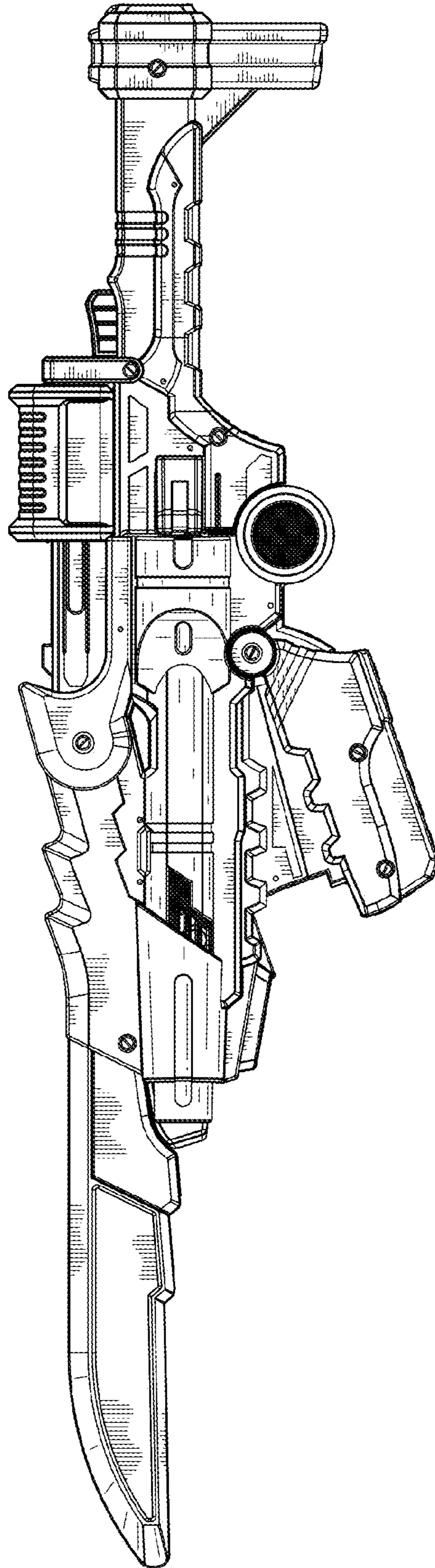


FIG. 9

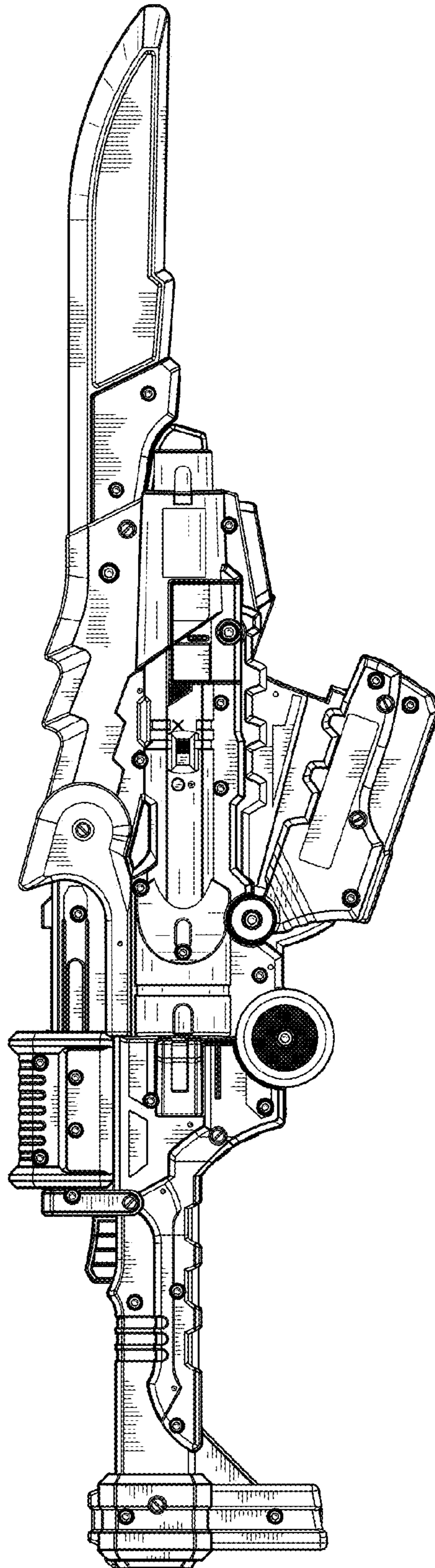


FIG. 10

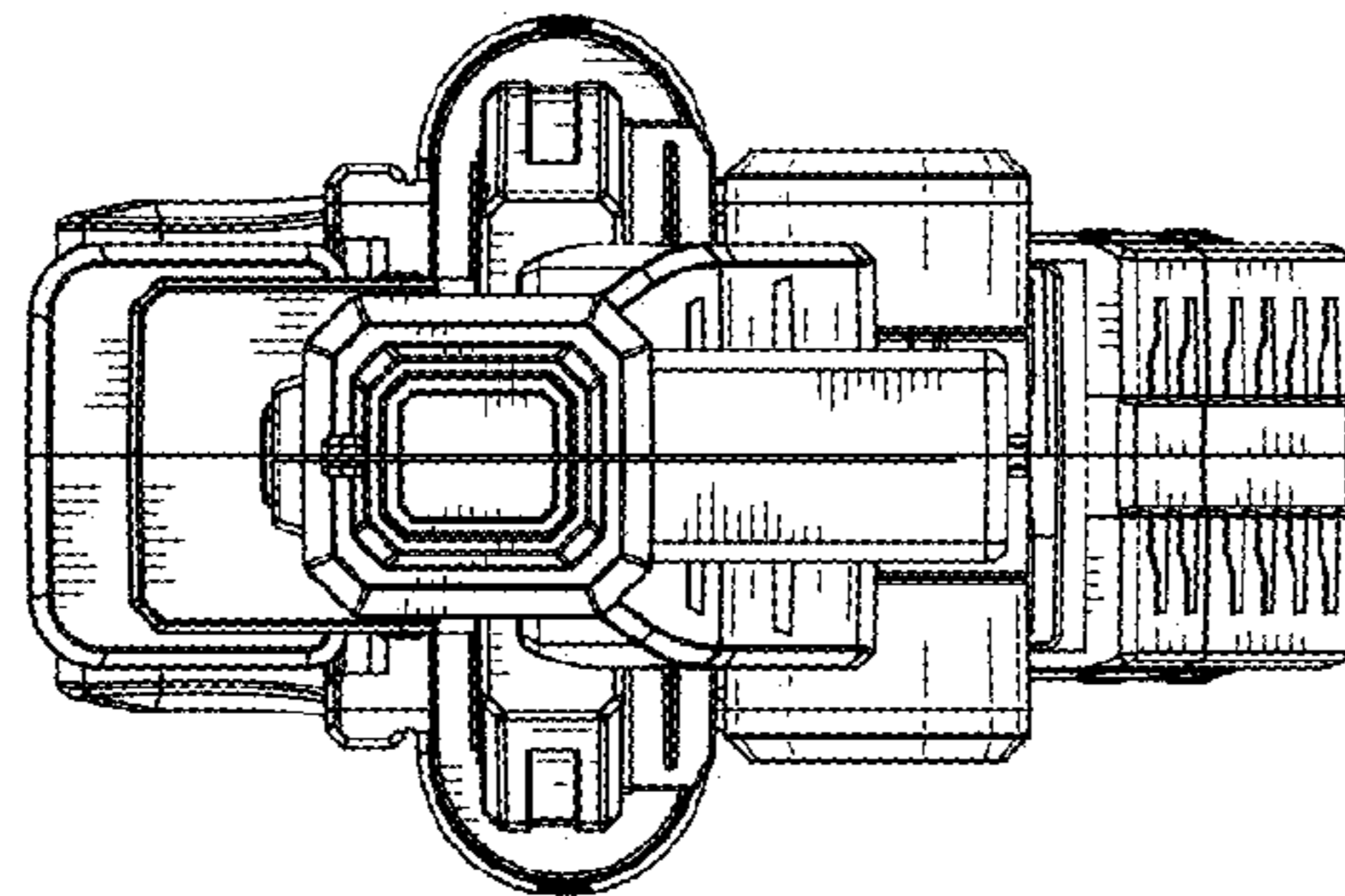


FIG. 11

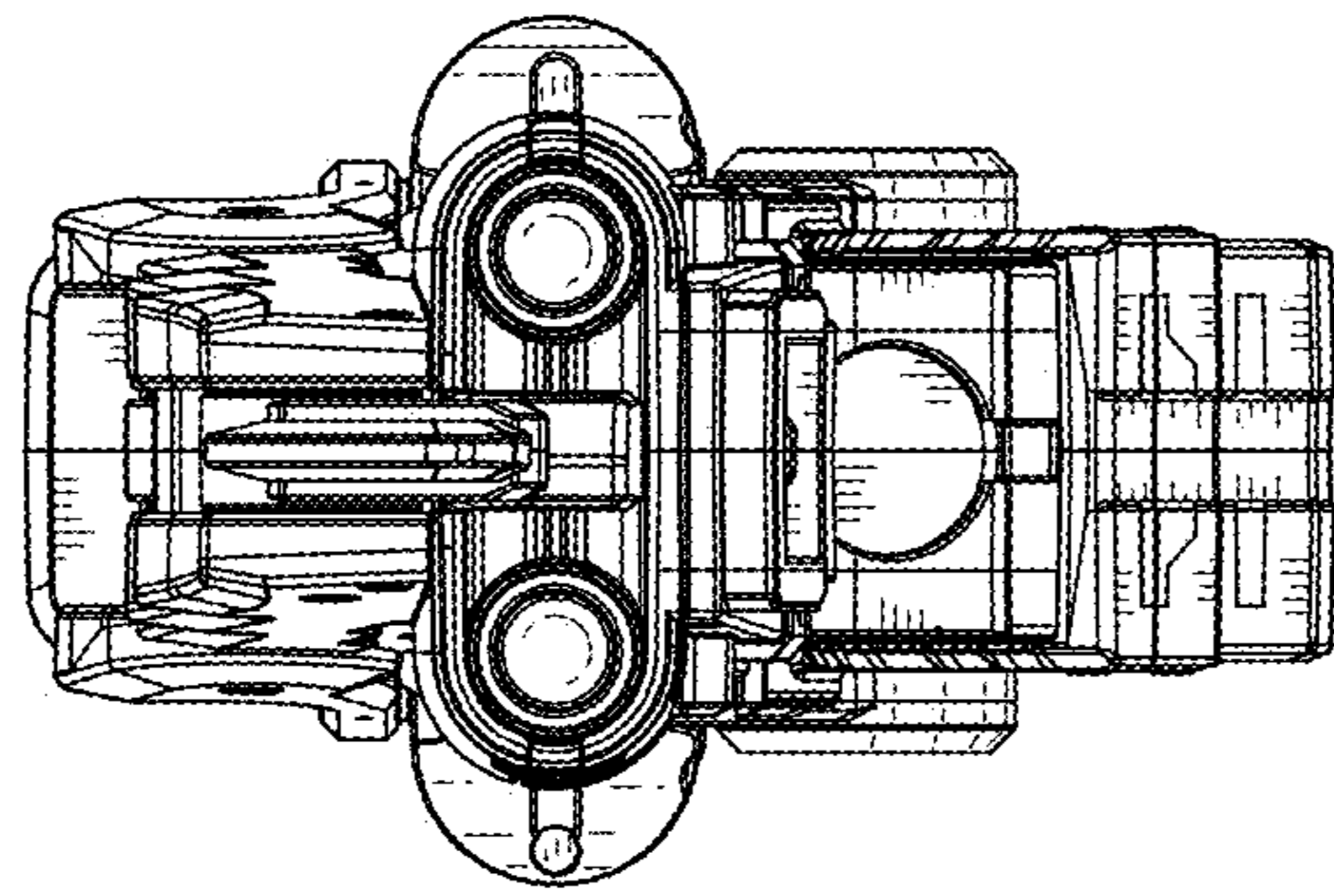


FIG. 12

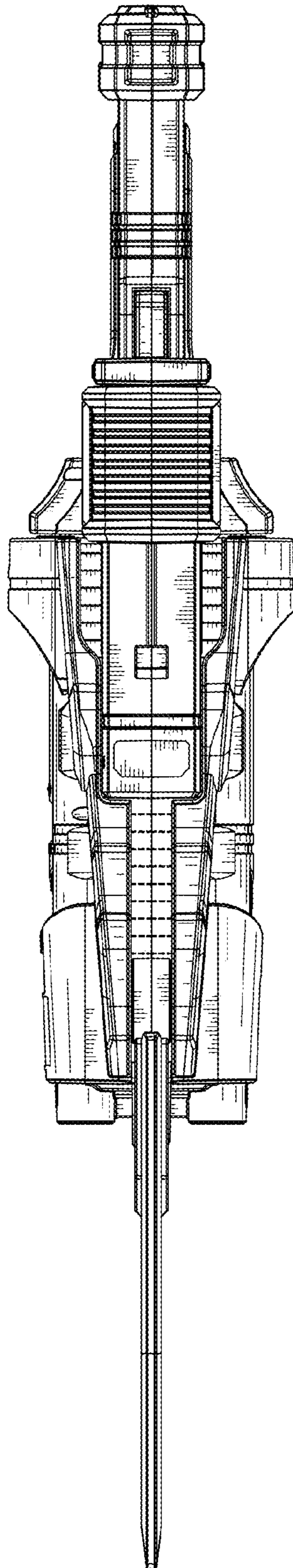


FIG. 13

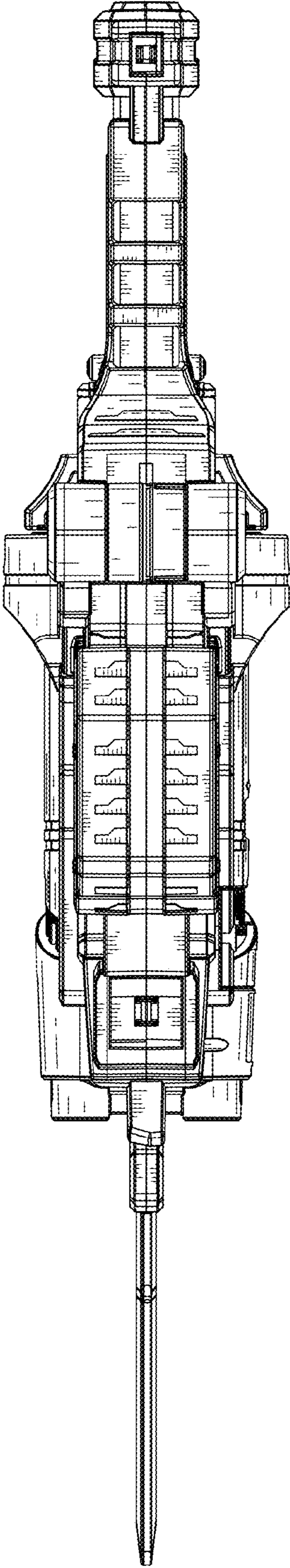


FIG. 14

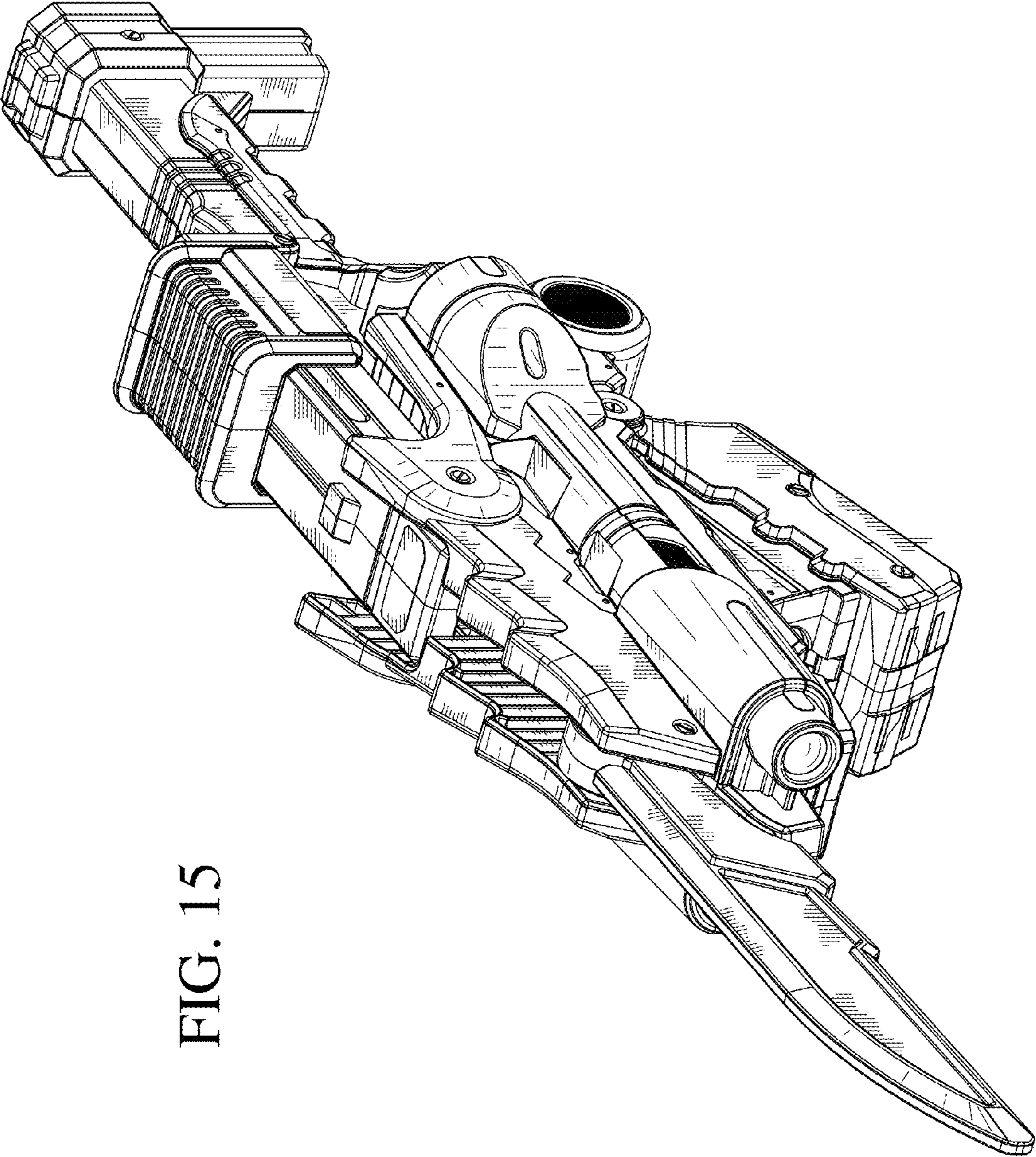


FIG. 15

FIG. 16

