



US00D703275S

(12) **United States Design Patent**  
**Martino et al.**

(10) **Patent No.:** **US D703,275 S**  
(45) **Date of Patent:** **\*\* Apr. 22, 2014**

(54) **TOY VEHICLE HOUSING**

2,804,902 A 9/1957 Luther et al.  
3,507,198 A 4/1970 Prochnow  
D220,578 S \* 4/1971 Hall ..... D21/549

(71) Applicant: **Mattel, Inc.**, El Segundo, CA (US)

(Continued)

(72) Inventors: **Anthony M Martino**, Thousand Oaks, CA (US); **Kevin Kai Cao**, Reseda, CA (US)

FOREIGN PATENT DOCUMENTS

(73) Assignee: **Mattel, Inc.**, El Segundo, CA (US)

DE 19902852 C1 7/2000  
EP 0281427 B1 9/1988

(Continued)

(\*\*) Term: **14 Years**

OTHER PUBLICATIONS

(21) Appl. No.: **29/456,261**

Hot Wheels Video Racer. User Manual. May 25, 2011 [online], [retrieved on Aug. 10, 2013]. Retrieved from the Internet <URL: [http://service.mattel.com/instruction\\_sheets/W1647-0920G2.pdf](http://service.mattel.com/instruction_sheets/W1647-0920G2.pdf)>.\*

(22) Filed: **May 29, 2013**

(Continued)

**Related U.S. Application Data**

(62) Division of application No. 29/397,872, filed on Jul. 21, 2011, now Pat. No. Des. 685,862.

*Primary Examiner* — Philip S Hyder

*Assistant Examiner* — Darlington Ly

(51) **LOC (10) Cl.** ..... **21-01**

(74) *Attorney, Agent, or Firm* — Kolisch Hartwell, PC

(52) **U.S. Cl.**

USPC ..... **D21/533**

(58) **Field of Classification Search**

USPC ..... D14/157, 217; D21/424, 433, 533, 539, D21/548, 549, 550, 561, 562, 563, 580, D21/581; D12/82, 86, 88, 89, 90, 91, 92, D12/93; 446/431, 444-447, 452, 454-456, 446/465, 468, 470, 471; 254/423; 283/10 F

See application file for complete search history.

(57) **CLAIM**

We claim the ornamental design for a toy vehicle housing, as shown and described.

**DESCRIPTION**

FIG. 1 is a top, front, and right side perspective view of the toy vehicle housing;

FIG. 2 is a top, rear, and left side perspective view thereof;

FIG. 3 is a right side elevation view thereof;

FIG. 4 is a left side elevation view thereof;

FIG. 5 is a front elevation view thereof;

FIG. 6 is a rear elevation view thereof;

FIG. 7 is a top plan view thereof; and,

FIG. 8 is a bottom plan view thereof.

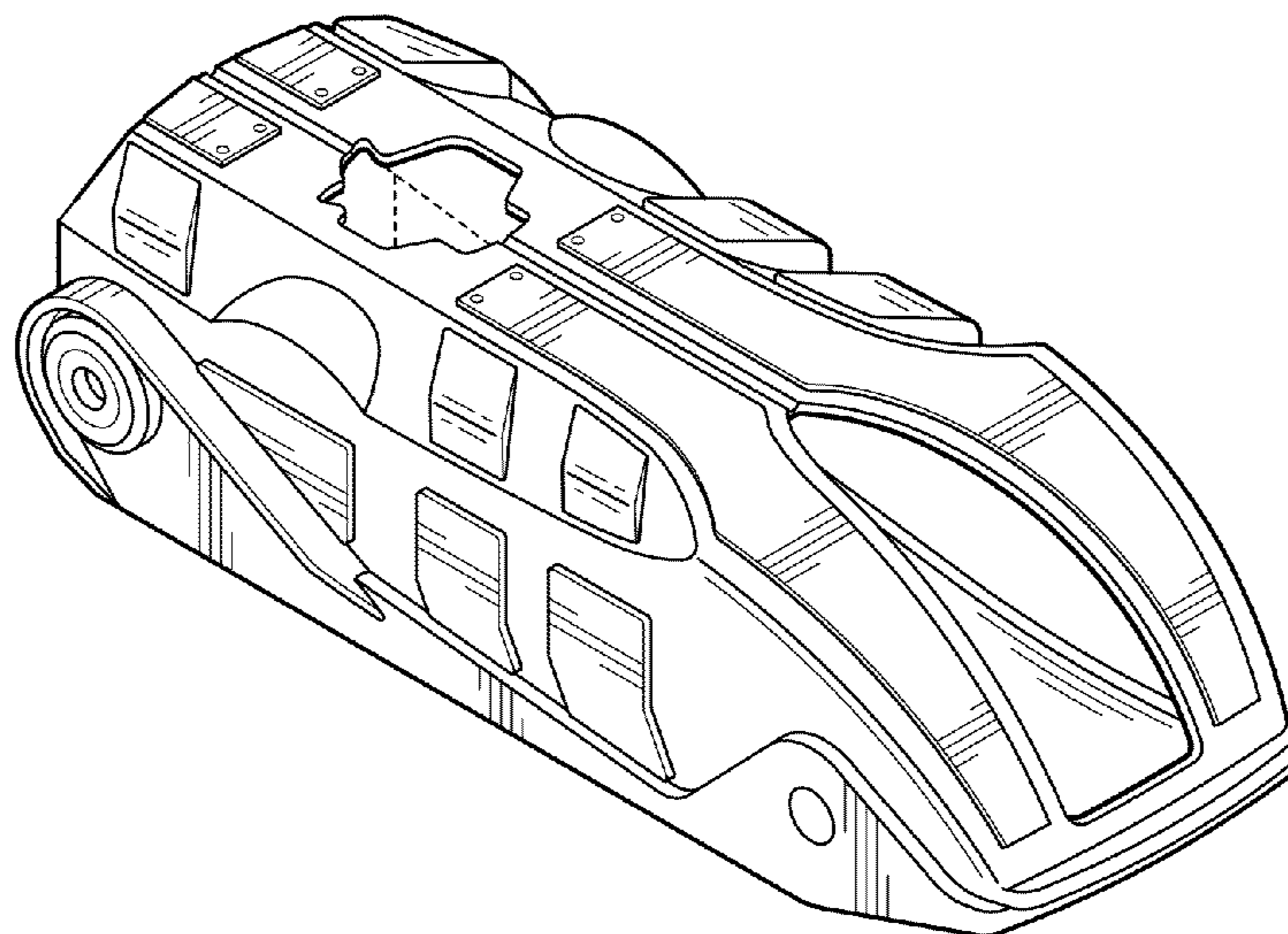
The broken lines shown in the drawings illustrate portions of the toy vehicle housing that form no part of the claimed design.

(56) **References Cited**

U.S. PATENT DOCUMENTS

1,990,793 A \* 2/1935 Matsumoto ..... 446/470  
D95,791 S \* 6/1935 Baetz ..... D21/548  
2,132,549 A 10/1938 Wenstrom  
D142,229 S \* 8/1945 Roach ..... D21/550  
2,482,248 A 9/1949 Coon

**1 Claim, 3 Drawing Sheets**





(56)

References Cited

U.S. PATENT DOCUMENTS

D222,161 S \* 10/1971 Harrison ..... D21/549  
 3,638,356 A 2/1972 LaBranche  
 D231,544 S \* 4/1974 Coppuck ..... D21/549  
 3,938,166 A 2/1976 Sloop  
 3,966,101 A 6/1976 Taylor, III  
 4,132,028 A 1/1979 Ogawa  
 4,193,639 A 3/1980 Pauly et al.  
 4,299,051 A 11/1981 Pauly et al.  
 D266,342 S 9/1982 Wilkes  
 4,406,085 A 9/1983 Rhodes  
 D279,591 S 7/1985 Ogawa  
 4,601,318 A 7/1986 Diegelman  
 4,714,184 A 12/1987 Young et al.  
 D301,355 S 5/1989 Doi  
 4,953,766 A 9/1990 Cruickshank  
 D311,882 S \* 11/1990 Furst ..... D12/92  
 4,986,187 A 1/1991 Booth et al.  
 5,005,213 A 4/1991 Hanson et al.  
 5,014,892 A 5/1991 Copeland  
 5,035,382 A 7/1991 Lissaman et al.  
 5,064,109 A 11/1991 Caster  
 5,092,458 A 3/1992 Yokoyama  
 D327,103 S 6/1992 Poulsen  
 5,174,593 A 12/1992 Chapman  
 D333,168 S 2/1993 Huang  
 5,251,800 A 10/1993 Leenders  
 5,337,891 A 8/1994 Toth  
 5,350,033 A 9/1994 Kraft  
 5,358,110 A 10/1994 Simpson  
 5,481,257 A 1/1996 Brubaker et al.  
 5,555,019 A 9/1996 Dole  
 5,596,319 A 1/1997 Spry  
 5,812,736 A 9/1998 Anderson  
 5,828,917 A 10/1998 Stephenson  
 6,028,627 A 2/2000 Helmsderfer  
 D424,633 S \* 5/2000 Hollis et al. .... D21/548  
 6,078,355 A 6/2000 Zengel  
 6,085,131 A 7/2000 Kim  
 6,108,031 A 8/2000 King et al.  
 6,138,826 A 10/2000 Kanamori et al.  
 6,155,835 A 12/2000 Shercliff  
 D439,285 S 3/2001 Chen et al.  
 6,224,227 B1 5/2001 Klootz  
 6,264,521 B1 7/2001 Hernandez  
 6,293,798 B1 9/2001 Boyle et al.  
 6,304,290 B1 10/2001 Bailly  
 6,309,306 B1 10/2001 Geagley et al.  
 6,396,403 B1 5/2002 Haner  
 6,497,608 B2 12/2002 Ho et al.  
 6,520,642 B1 2/2003 Chapman  
 6,535,793 B2 3/2003 Allard  
 6,540,615 B2 4/2003 Tanaka et al.  
 6,547,624 B1 4/2003 Bojesen et al.  
 6,549,231 B1 4/2003 Matsui  
 6,568,983 B1 5/2003 Peters  
 6,612,658 B1 9/2003 Oumedian  
 6,632,121 B2 10/2003 Edmisson et al.  
 6,657,673 B2 12/2003 Ishikawa  
 6,692,329 B2 2/2004 Peters  
 6,733,360 B2 5/2004 Dooley et al.  
 6,746,304 B1 6/2004 Liu  
 6,752,720 B1 6/2004 Clapper et al.  
 6,811,492 B1 11/2004 Arakawa et al.  
 6,899,255 B2 5/2005 Pringle  
 6,937,289 B1 8/2005 Ranta et al.  
 6,954,695 B2 10/2005 Bonilla et al.  
 7,060,921 B2 6/2006 Kubo  
 7,106,959 B2 9/2006 Sato  
 D530,757 S 10/2006 Jones  
 7,194,202 B2 3/2007 Funahashi et al.  
 D541,354 S 4/2007 Campbell et al.  
 D542,362 S \* 5/2007 Campbell ..... D21/581  
 7,402,964 B1 7/2008 Calhoun  
 D576,523 S \* 9/2008 Battams et al. .... D12/88  
 7,445,539 B2 11/2008 Laurienzo et al.

7,458,736 B2 12/2008 Woodman  
 7,471,334 B1 12/2008 Stenger  
 7,494,398 B2 2/2009 Laurienzo  
 D587,629 S \* 3/2009 Crijns ..... D12/88  
 7,502,550 B2 3/2009 Ariga  
 7,557,859 B2 7/2009 Lee  
 7,570,295 B2 8/2009 Funato et al.  
 7,653,292 B2 1/2010 Yamaguchi et al.  
 7,704,119 B2 4/2010 Evans  
 7,721,893 B2 5/2010 Law  
 7,726,887 B2 6/2010 Su et al.  
 7,731,588 B2 6/2010 Templeman  
 7,762,731 B2 7/2010 Arbuckle et al.  
 7,777,969 B2 8/2010 Shirono et al.  
 7,789,228 B2 9/2010 Zenzai  
 8,011,737 B2 9/2011 Wang et al.  
 D651,960 S 1/2012 Sahara et al.  
 D679,645 S 4/2013 Chung  
 D681,742 S \* 5/2013 Martino et al. .... D21/550  
 D683,295 S 5/2013 Pollmann  
 2001/0015766 A1 8/2001 Marchesini  
 2001/0045978 A1 11/2001 McConnell et al.  
 2002/0081937 A1 6/2002 Yamada et al.  
 2002/0106965 A1 8/2002 Dooley et al.  
 2003/0044180 A1 3/2003 Lindberg  
 2003/0190856 A1 10/2003 Peters  
 2003/0232649 A1 12/2003 Gizis et al.  
 2004/0251650 A1 12/2004 Katsuyama et al.  
 2006/0076735 A1 4/2006 Proch  
 2006/0110146 A1 5/2006 Ariga  
 2006/0223635 A1 10/2006 Rosenberg  
 2006/0293102 A1 12/2006 Kelsey  
 2008/0131106 A1 6/2008 Bruce  
 2009/0004948 A1 1/2009 Ando et al.  
 2009/0140570 A1 6/2009 Houkal  
 2009/0194443 A1 8/2009 Cuddeback  
 2010/0054724 A1 3/2010 Chamberlayne  
 2010/0081357 A1 4/2010 Alles  
 2010/0316369 A1 12/2010 Pyle  
 2011/0024314 A1 2/2011 Merrill et al.  
 2012/0052767 A1 \* 3/2012 Martino et al. .... 446/465

FOREIGN PATENT DOCUMENTS

EP 1310280 A2 5/2003  
 JP 10043439 A 2/1998  
 WO 0060870 A1 10/2000  
 WO 0156676 A1 8/2001  
 WO 0180212 A1 10/2001  
 WO 0195988 A1 12/2001

OTHER PUBLICATIONS

Bradford, K.T. Tiny Cameras Find Their Way Into Hot Wheels' Video Racer Cars. Feb. 15, 2011 [online], [retrieved on Aug. 10, 2013]. Retrieved from the Internet <URL: <http://blog.laptopmag.com/tiny-cameras-find-their-way-into-hot-wheels-video-racer-cars>>.\*  
 www.halfbakery.com; "A Matchbox Car Camera: Inside Perspective on Toy Car Stunts"; Jul 12, 2000; 3 pages; [http://www.halfbakery.com/idea/A\\_20Matchbox\\_20Car\\_20\\_Camera](http://www.halfbakery.com/idea/A_20Matchbox_20Car_20_Camera).  
 Stern, Joanna, Hot Wheels Video Racer has a VGA camera under its hood, confirms that kids have it all. Engadget. Jan. 21, 2010 [online], [retrieved on Oct. 01, 2012]. Retrieved from the Internet <URL: <http://www.engadget.com/2011/01/21/hot-wheels-video-racer-has-a-vga-camera-under-its-hood-confirms/>>.  
 Mangis, Carol, Hot Wheels makes RC cars pocketable. Consumer Reports. Feb. 17, 2011 [online], [retrieved on Oct. 1, 2012]. Retrieved from the Internet <URL: <http://news.consumerreports.org/electronics/2011/02/mattel-hot-wheels-video-racer.html>>.  
 Straylor, Mattel Hot Wheels Video Racer: Get footage from a toy's-eye view. YouTube. Jan. 9, 2011 [online], [retrieved on Oct. 1, 2012]. Retrieved from the Internet <URL: <http://www.youtube.com/watch?v=1xujxUWs-rs>>.

(56)

**References Cited**

OTHER PUBLICATIONS

WTB (MA): (1) 2008 Legacy GT wheel (6-spoke) . Jul. 12, 2011 [online], [retrived on Aug. 10, 2013], Retrieved from the Internet <URL: [http://www.google.com/imgres?q=6+spokes+wheel+subaru&sa=X&ris=com.microsoft:en-usIE-SearchBox&biw=1227&bih=963&tbn=isch&tbnid=zjWCPlecM\\_YhYM:&imgrefurl=http://legacygt.conn/forums/shothre](http://www.google.com/imgres?q=6+spokes+wheel+subaru&sa=X&ris=com.microsoft:en-usIE-SearchBox&biw=1227&bih=963&tbn=isch&tbnid=zjWCPlecM_YhYM:&imgrefurl=http://legacygt.conn/forums/shothre)>.

U.S. Patent and Trademark Office; Office Action regarding U.S. Appl. No. 29/397,875; mailing date Oct. 23, 2012; 13 pages.

U.S. Patent and Trademark Office; Office Action regarding U.S. Appl. No. 29/456,260; mailing date Aug. 22, 2013; 9 pages.

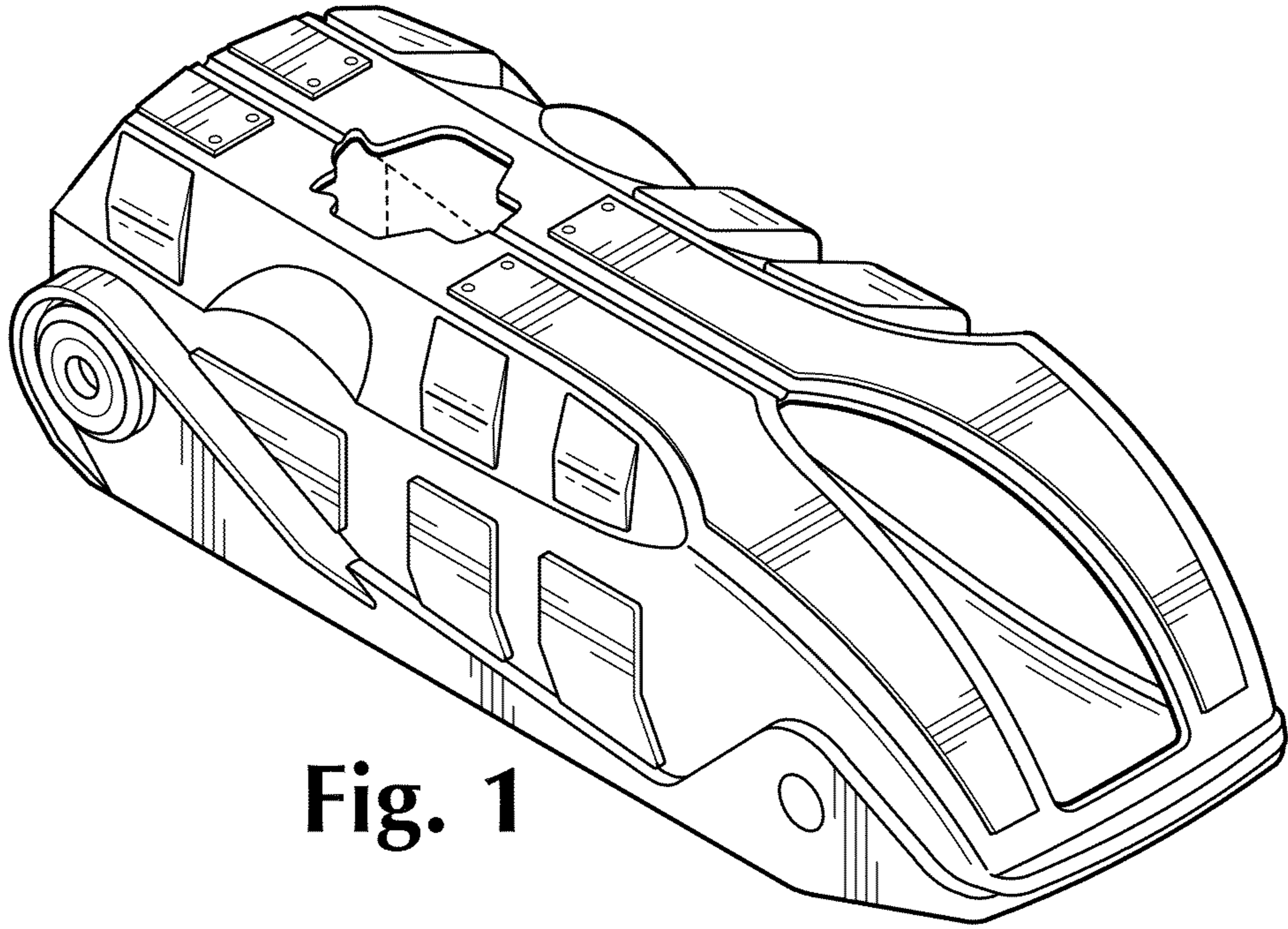
U.S. Patent and Trademark Office; Office Action regarding U.S. Appl. No. 29/450,465; mailing date Aug. 26, 2013; 10 pages.

U.S. Patent and Trademark Office; Office Action regarding U.S. Appl. No. 29/450,467; mailing date Sep. 12, 2013; 12 pages.

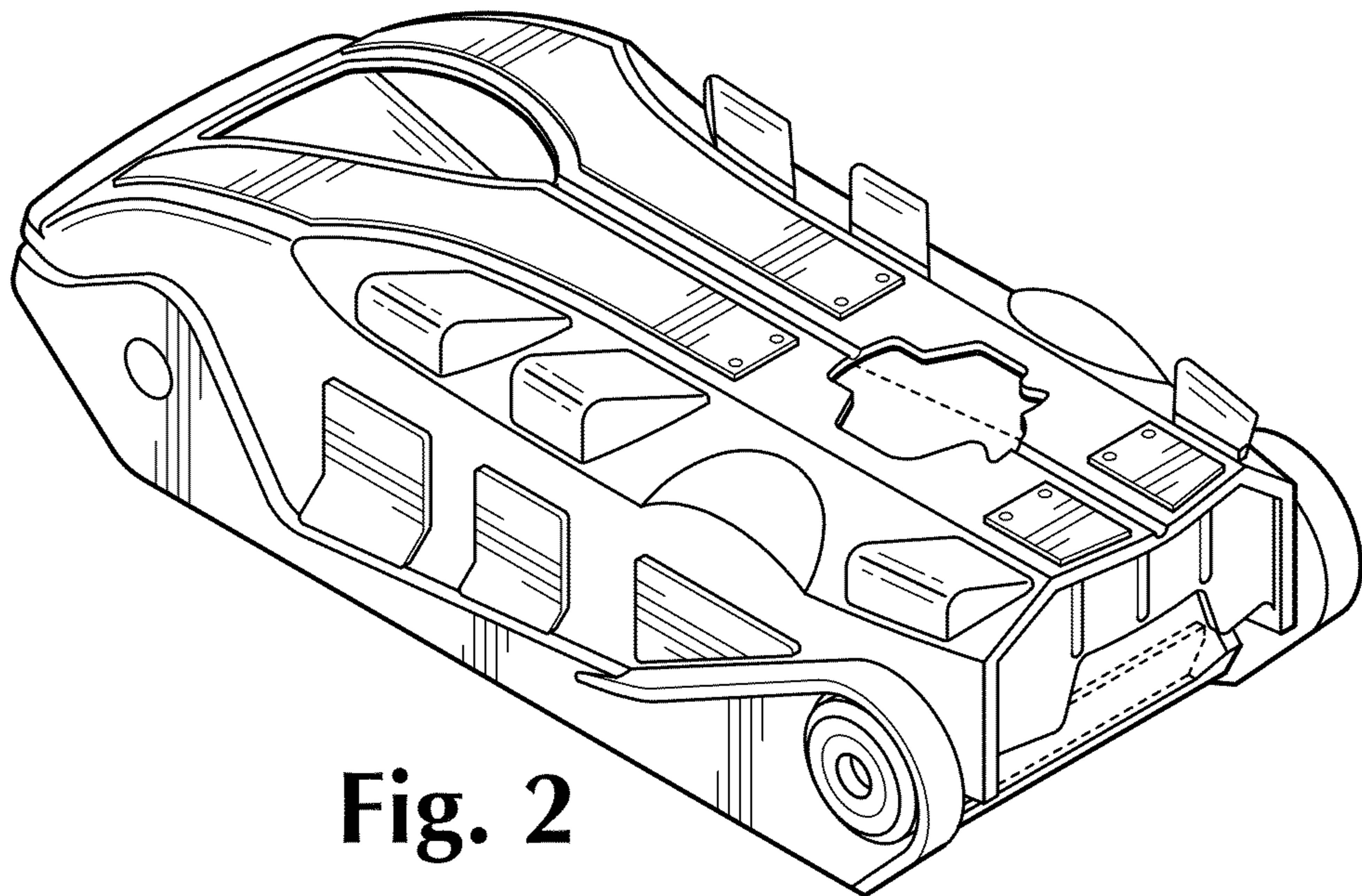
U.S. Patent and Trademark Office; Office Action regarding U.S. Appl. No. 29/450,469; mailing date Sep. 5, 2013; 9 pages.

\* cited by examiner

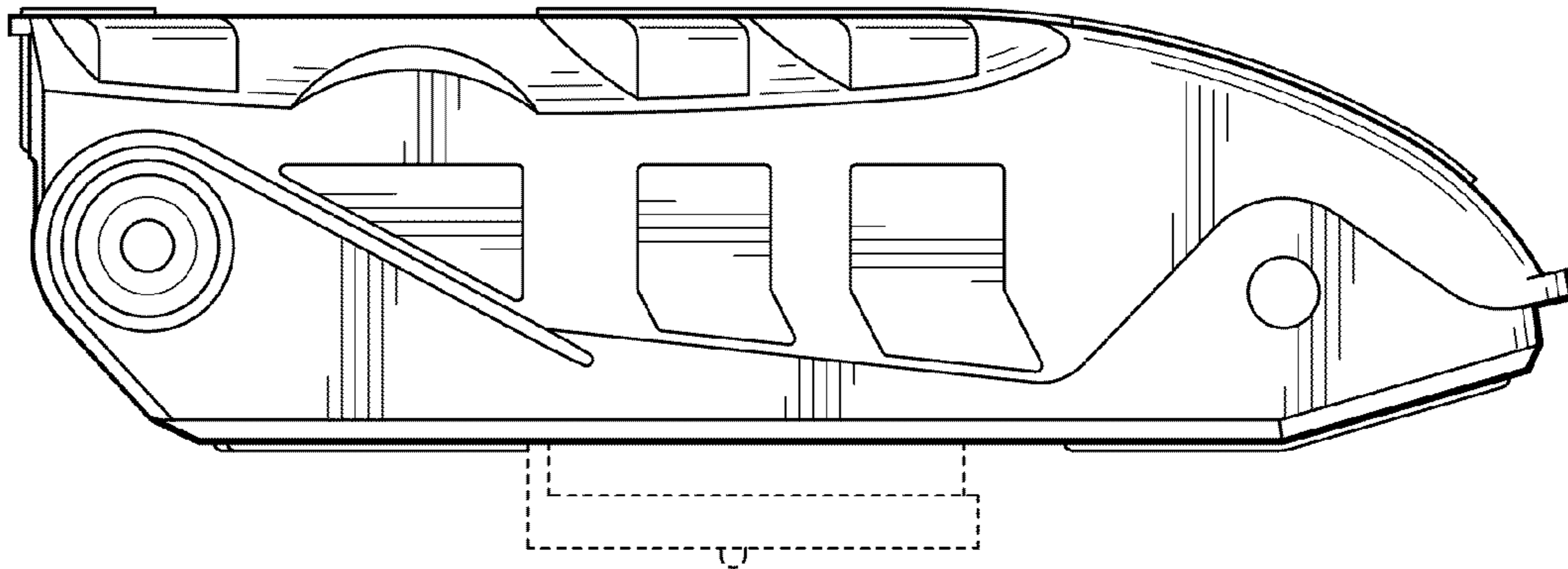




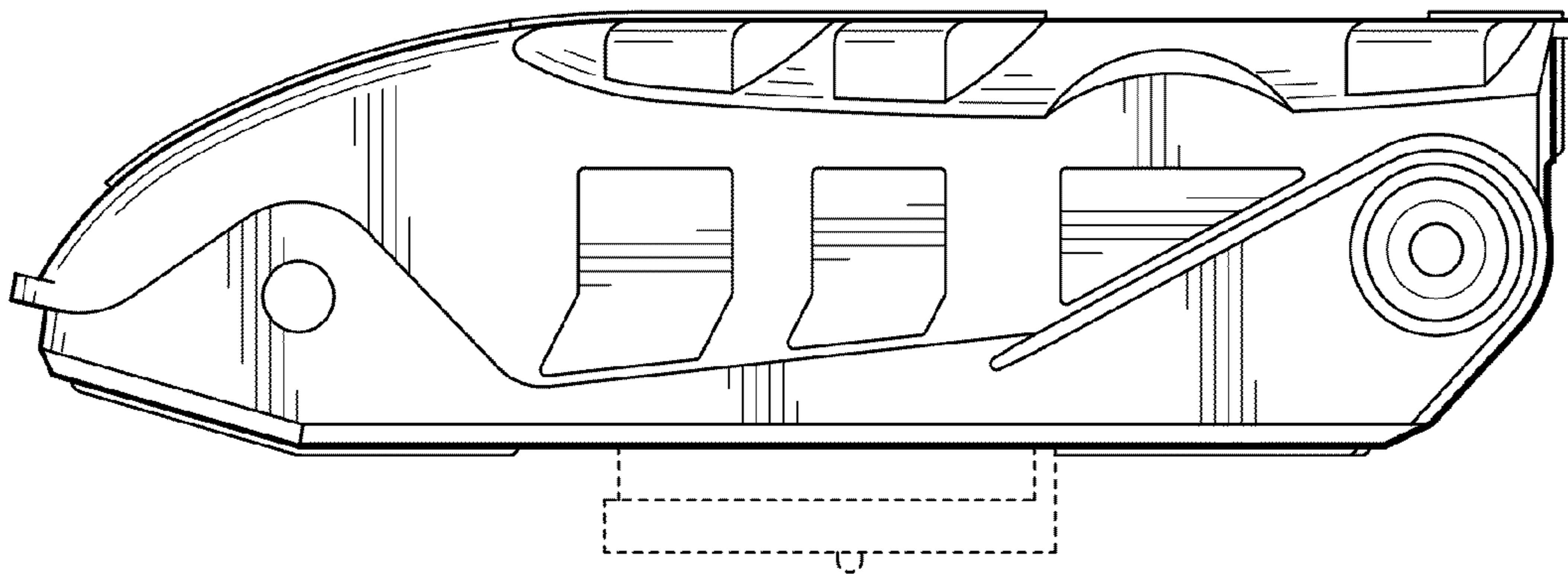
**Fig. 1**



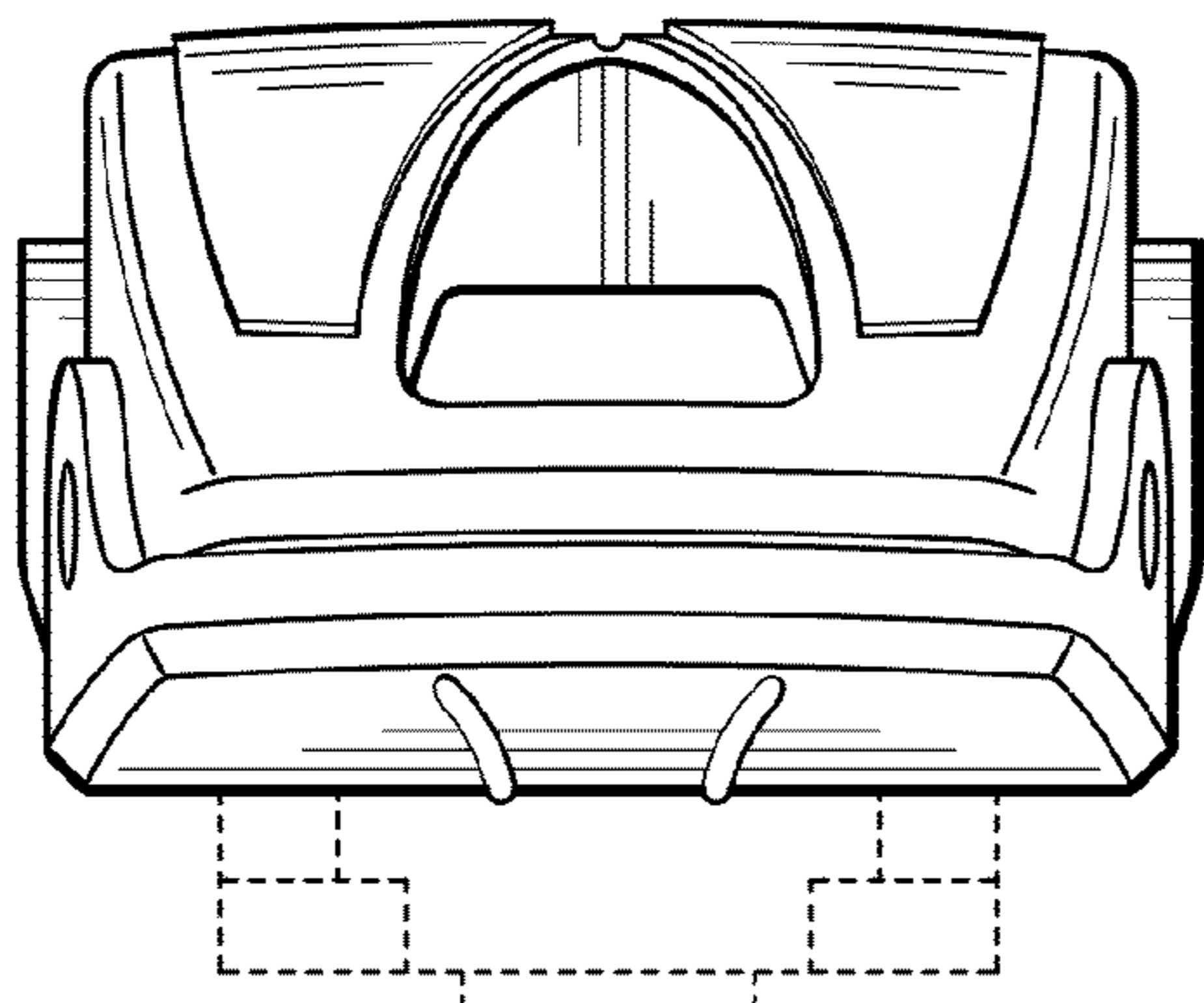
**Fig. 2**



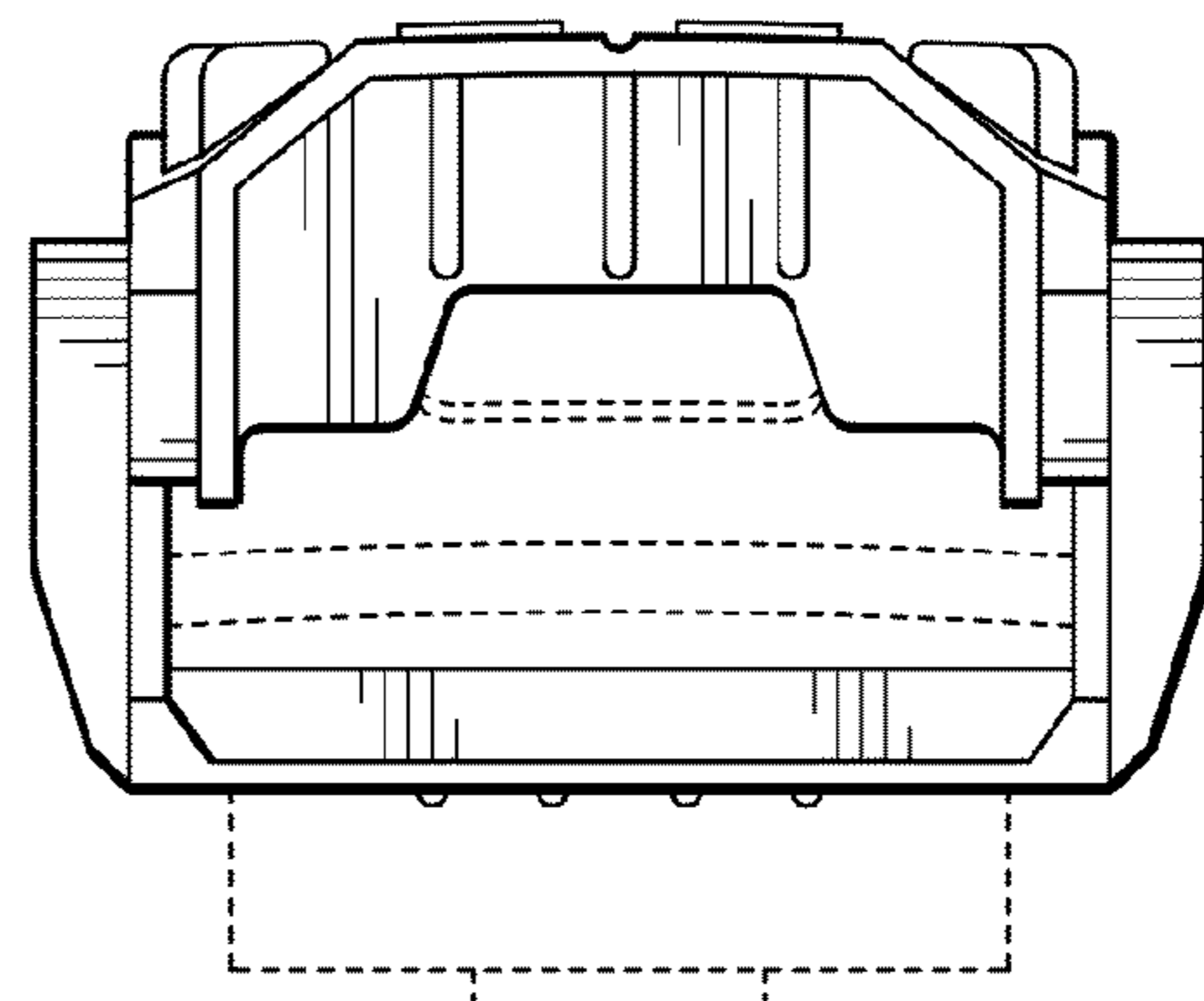
**Fig. 3**



**Fig. 4**



**Fig. 5**



**Fig. 6**

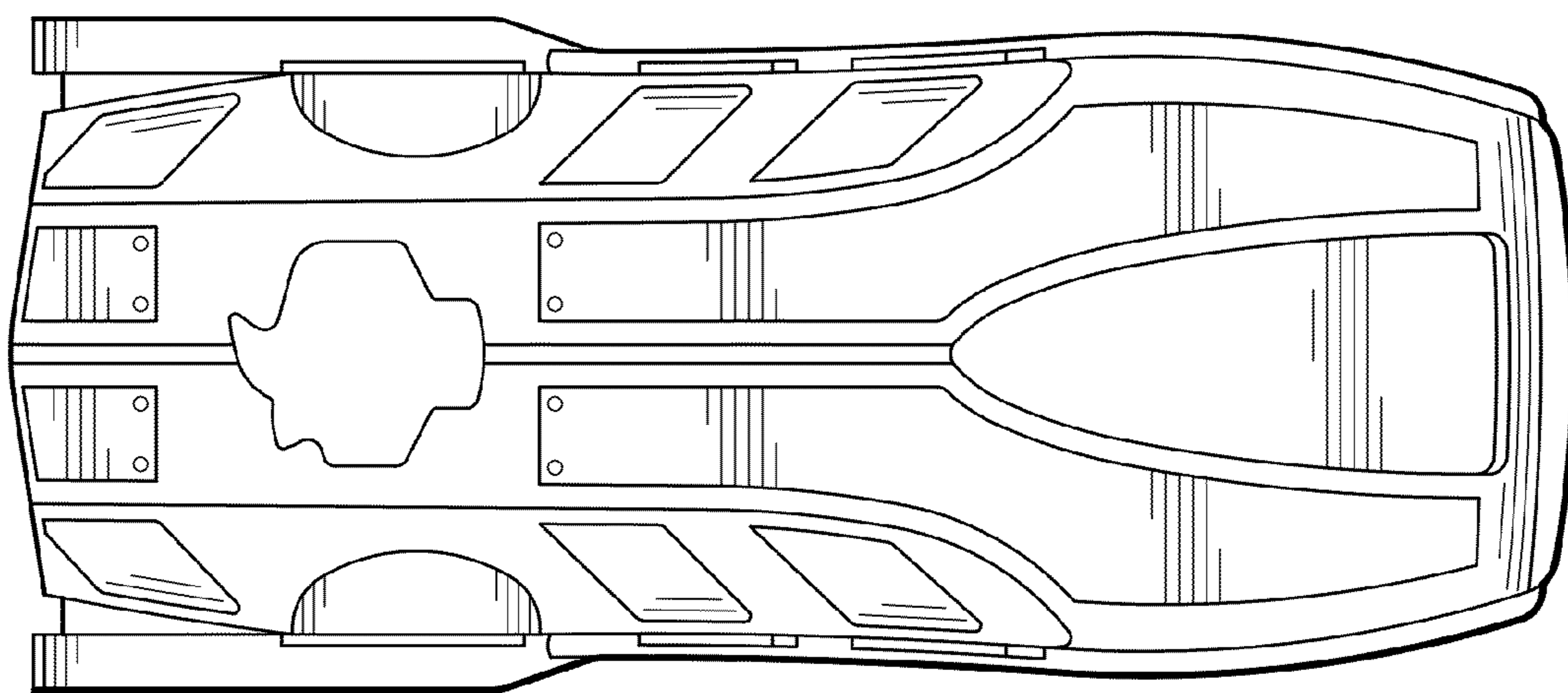


Fig. 7

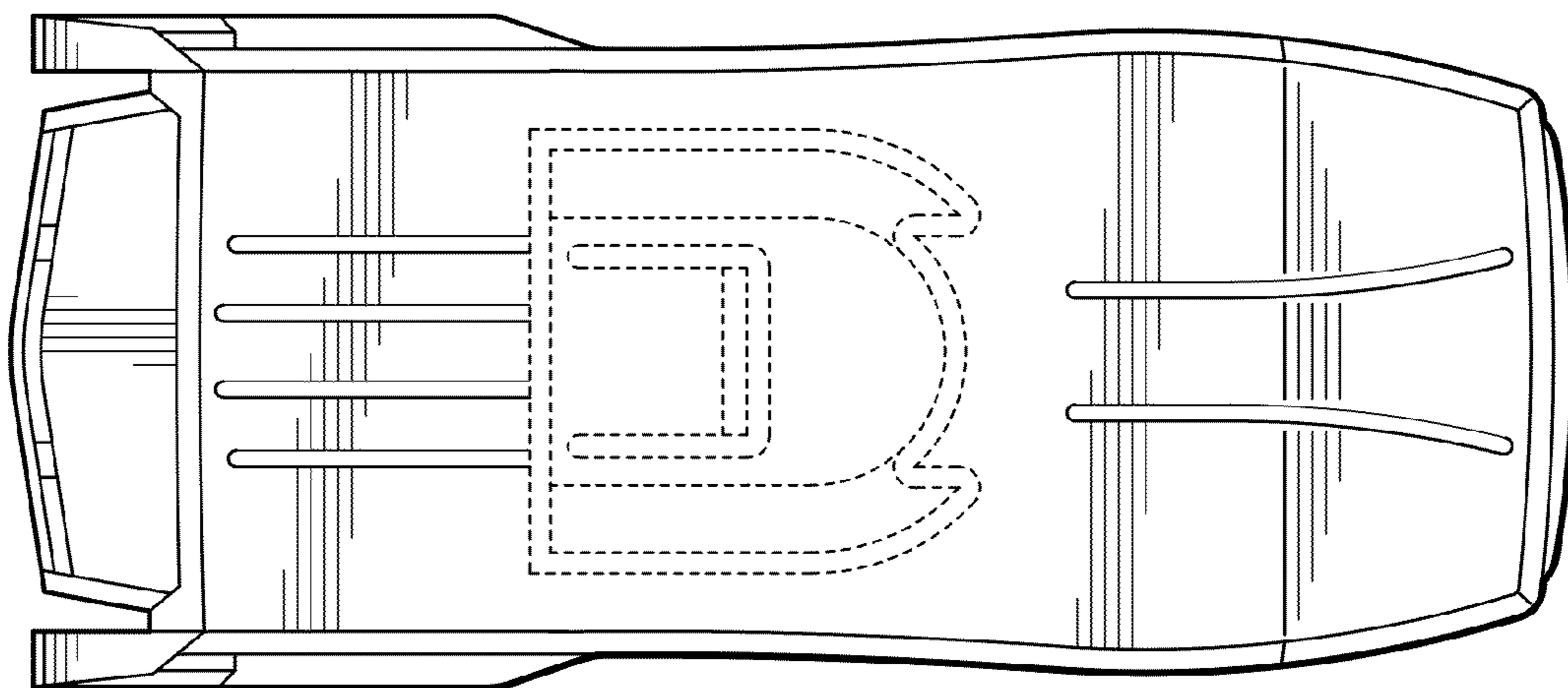


Fig. 8