



US00D703267S

(12) **United States Design Patent**
Harvey Pennaz

(10) **Patent No.:** **US D703,267 S**
(45) **Date of Patent:** **** Apr. 22, 2014**

- (54) **CLIP**
- (71) Applicant: **3M Innovative Properties Company**,
St. Paul, MN (US)
- (72) Inventor: **Jane E. Harvey Pennaz**, Roseville, MN
(US)
- (73) Assignee: **3M Innovative Properties Company**,
St. Paul, MN (US)
- (**) Term: **14 Years**
- (21) Appl. No.: **29/458,545**
- (22) Filed: **Jun. 20, 2013**
- (51) **LOC (10) Cl.** **19-02**
- (52) **U.S. Cl.**
USPC **D19/86**
- (58) **Field of Classification Search**
USPC D6/512, 513, 518, 675, 675.1, 675.2,
D6/682.2, 683, 683.1, 700, 704, 705, 706;
D9/734, 737; D19/65, 75, 77, 78,
D19/86-92; 206/39.5, 215, 494, 555;
211/45, 50, 126.1, 126.13, 126.16;
221/45, 46, 56; D8/394, 395
See application file for complete search history.

- (56) **References Cited**
U.S. PATENT DOCUMENTS
- D383,701 S * 9/1997 Fletcher D11/78.1
- D390,493 S * 2/1998 Fletcher D11/78.1
- D393,878 S * 4/1998 Suzuki D19/65
- D406,168 S * 2/1999 Wolff D19/65
- D406,169 S * 2/1999 Wolff D19/65
- D406,170 S * 2/1999 Wolff D19/65
- D454,056 S * 3/2002 Kung D8/395
- D461,504 S * 8/2002 Kagel D19/90

- D463,824 S * 10/2002 Kan D19/65
- D492,728 S * 7/2004 Nuttall et al. D19/65
- D493,487 S * 7/2004 Nuttall et al. D19/65
- D506,783 S * 6/2005 Siegel D19/65
- D514,434 S * 2/2006 Mariano et al. D8/395
- D521,369 S * 5/2006 Sollberger et al. D8/395
- D529,375 S * 10/2006 Cetera D8/395
- D531,675 S * 11/2006 Cetera D19/91
- D533,228 S * 12/2006 Suzuki D19/65
- D559,673 S * 1/2008 Dash D8/395
- D599,651 S * 9/2009 Riggsbee D8/395
- D607,313 S * 1/2010 Larocque D8/394
- D608,629 S * 1/2010 Daugherty et al. D8/395
- D620,785 S * 8/2010 St. Germaine D8/395
- D650,951 S * 12/2011 Connelly et al. D30/136
- D651,363 S * 12/2011 Connelly et al. D30/136
- D676,084 S * 2/2013 Black et al. D19/65
- D679,581 S * 4/2013 Liu et al. D8/395
- D684,849 S * 6/2013 Bylsma D8/395

* cited by examiner

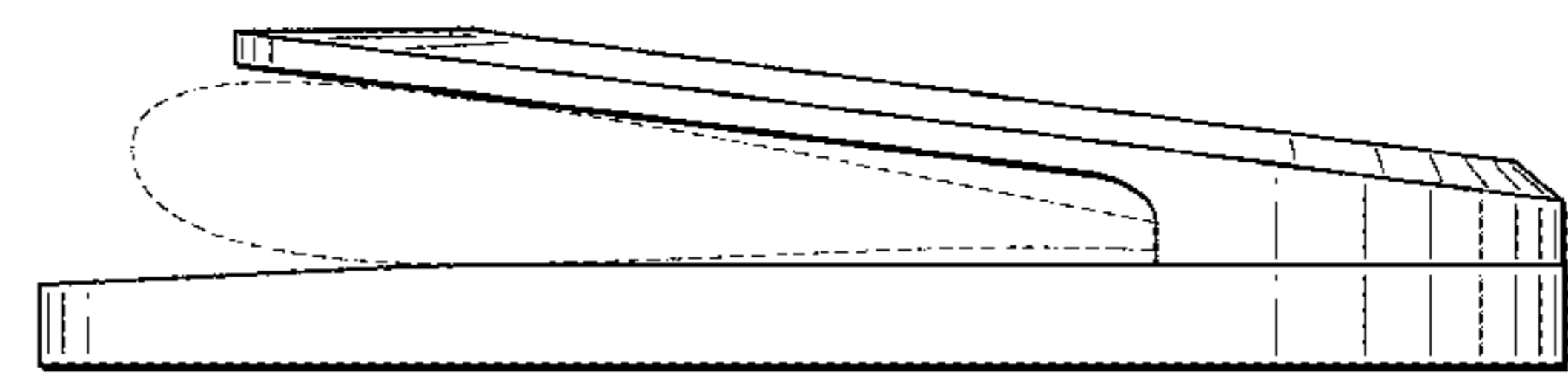
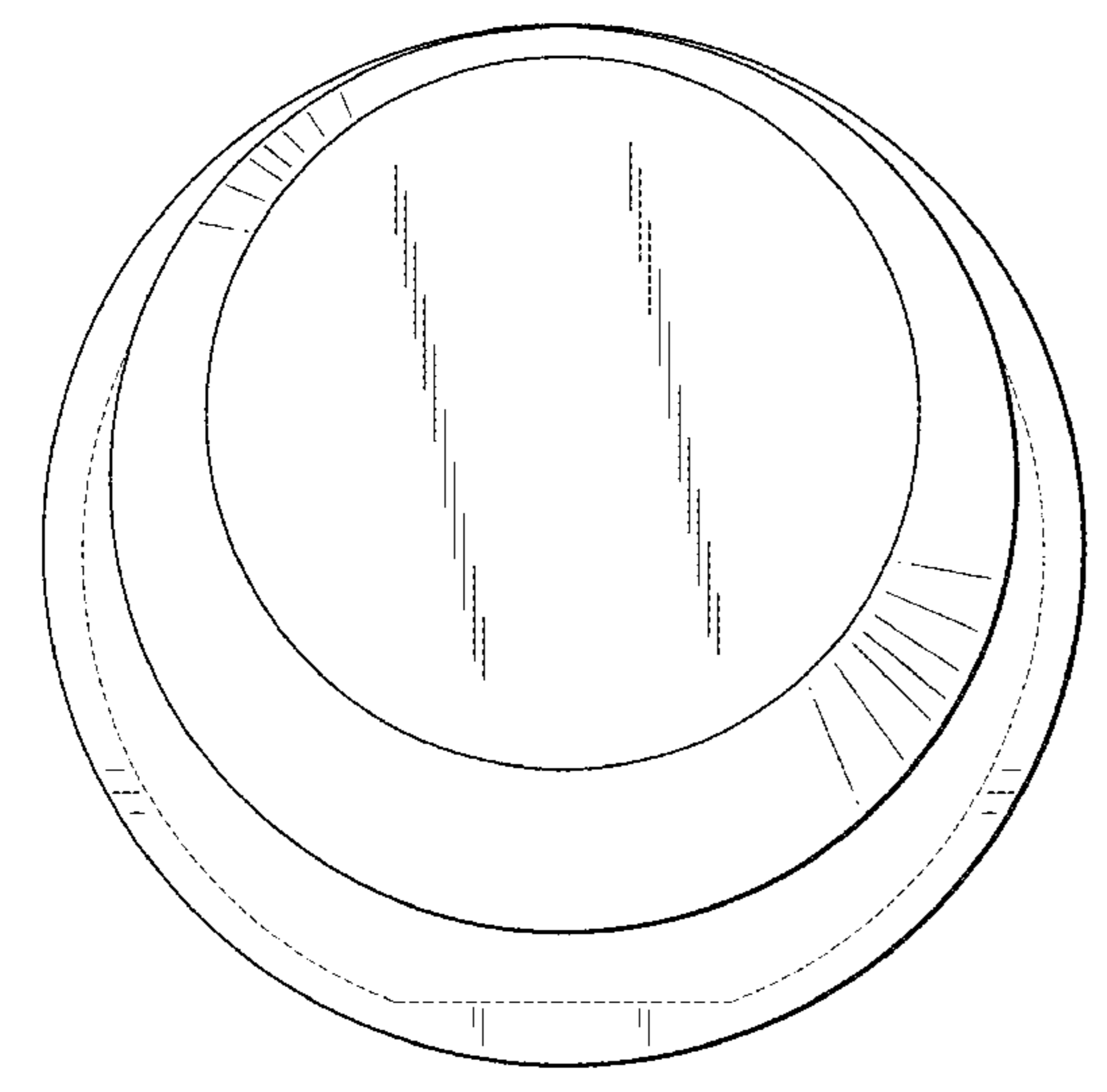
Primary Examiner — Elizabeth Albert
(74) *Attorney, Agent, or Firm* — Irina Hass

(57) **CLAIM**
The ornamental design for a clip, as shown and described.

DESCRIPTION

FIG. 1 is a perspective view showing the new design for a clip;
FIG. 2 is a top view thereof;
FIG. 3 is a rear view thereof;
FIG. 4 is a right side view thereof, a left side view being a mirror image thereof;
FIG. 5 is a front view thereof; and,
FIG. 6 is a bottom view thereof.
The portions of the organizer in FIGS. 1, 2, 3, 4, 5, and 6 shown in broken lines are included to show features that form no part of the claimed design.

1 Claim, 3 Drawing Sheets



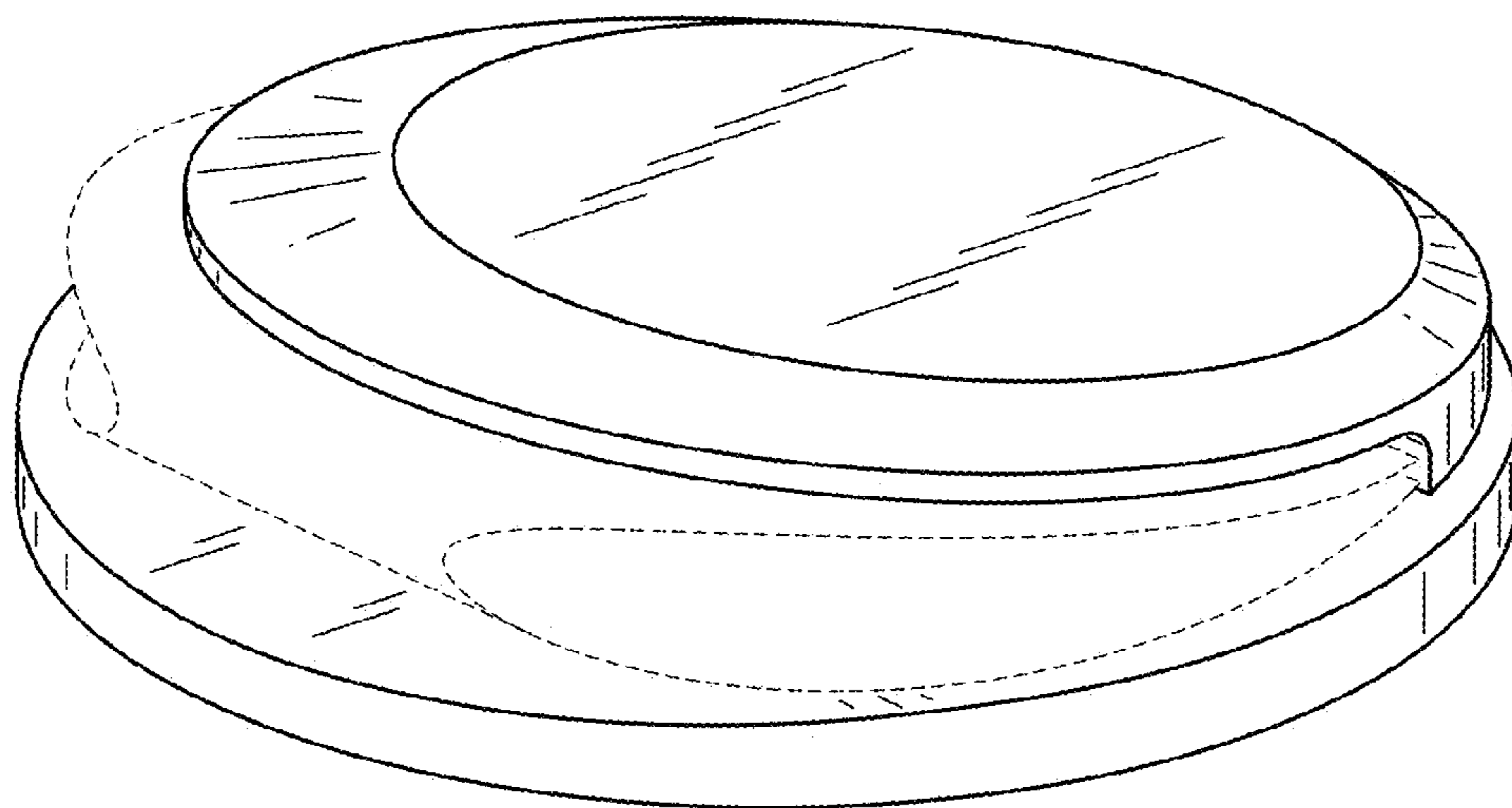


FIG. 1

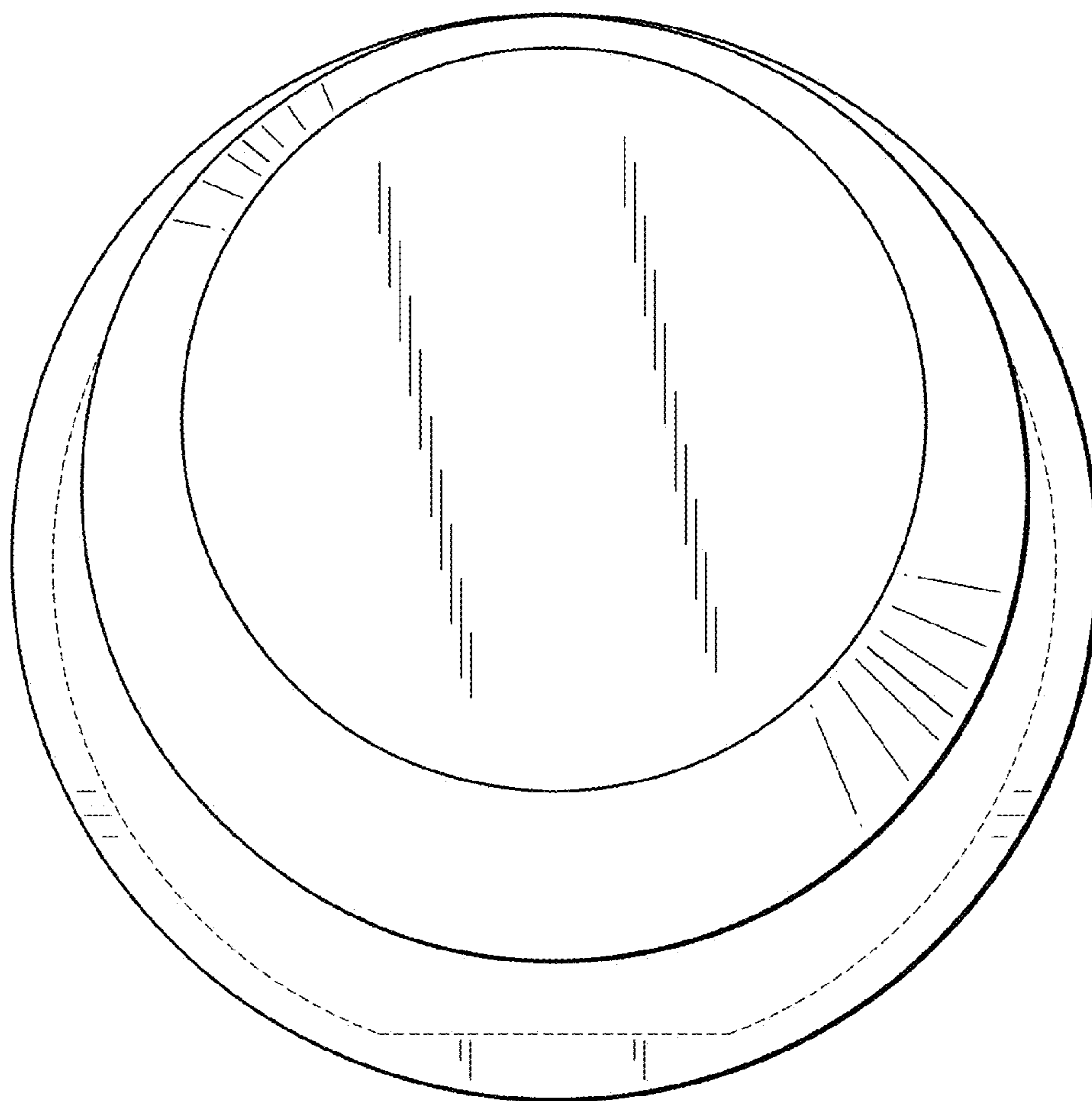


FIG. 2



FIG. 3

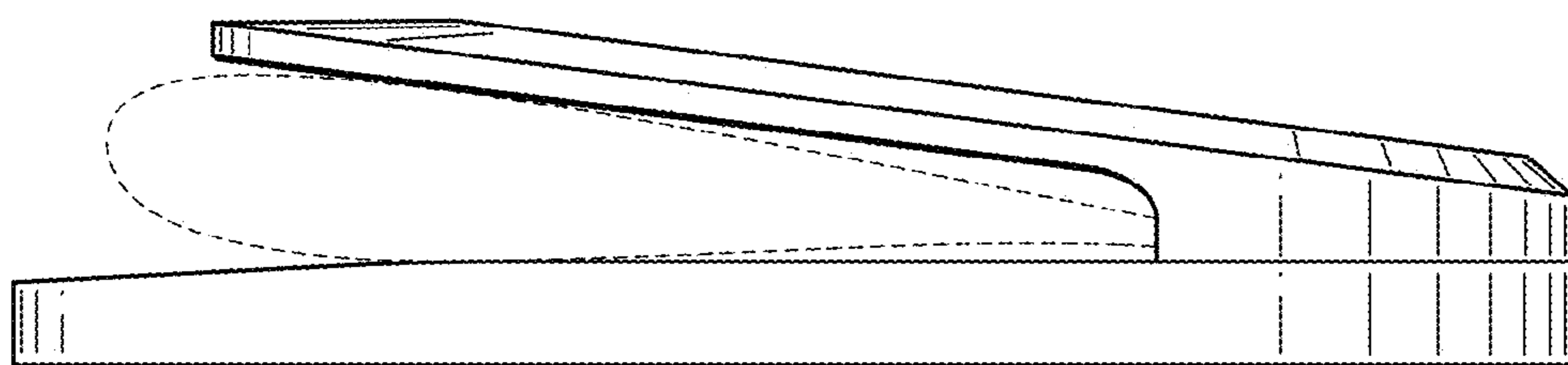


FIG. 4

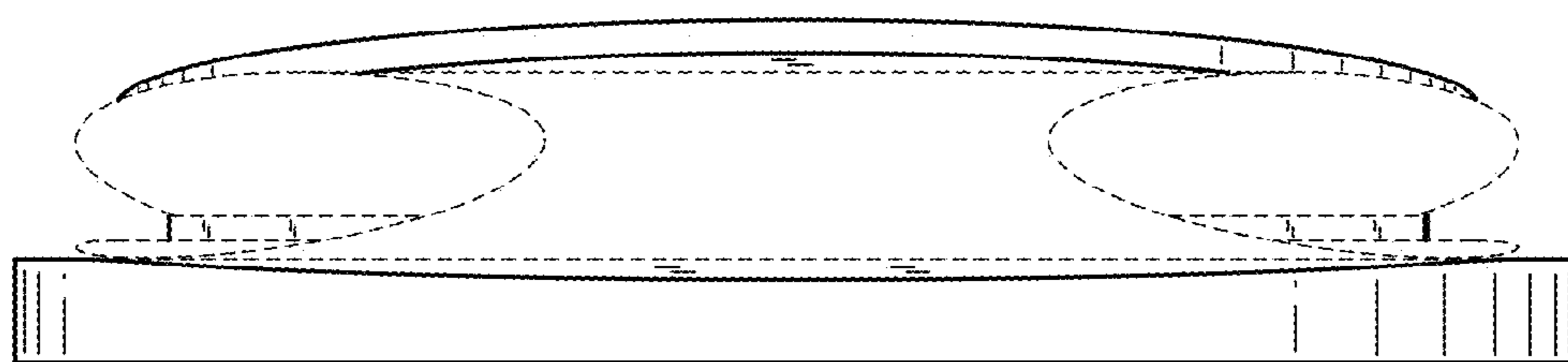


FIG. 5

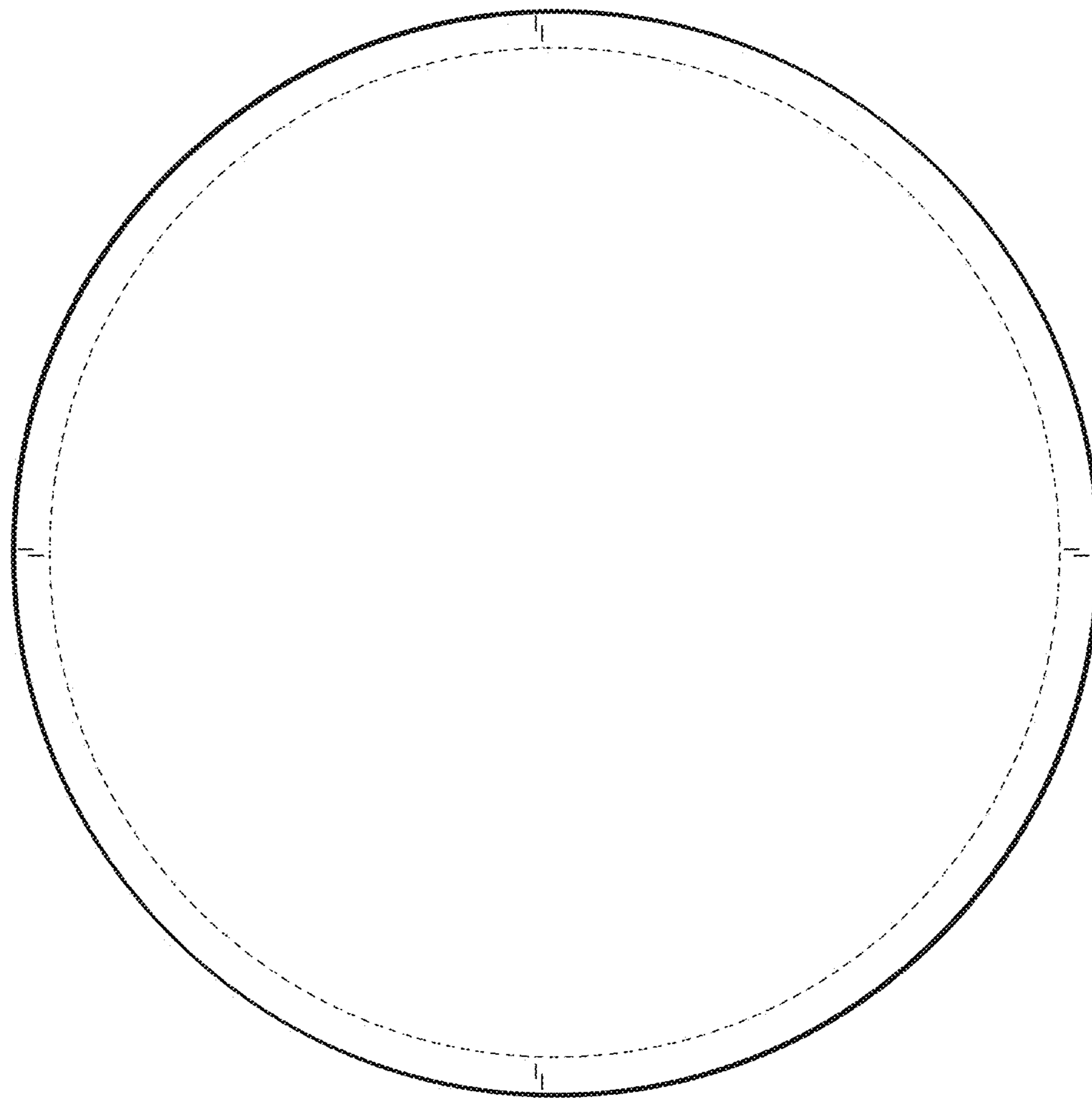


FIG. 6