



US00D703266S

(12) **United States Design Patent**
Larson et al.

(10) **Patent No.:** **US D703,266 S**
(45) **Date of Patent:** **** Apr. 22, 2014**

(54) **DESK CADDY**

D337,165 S 7/1993 Malinoff
D341,624 S * 11/1993 Evenson et al. D19/77
D379,895 S * 6/1997 Hampshire D6/531

(71) Applicant: **Target Brands, Inc.**, Minneapolis, MN
(US)

(Continued)

(72) Inventors: **Katherine E. Larson**, Minneapolis, MN
(US); **Thomas P. Kuehn**, St. Louis Park,
MN (US)

OTHER PUBLICATIONS

Museum of Useful Things, "Test Tube Rack," <http://www.museumofusefulthings.com/products/test-tube-pencil-holder>, at least as early as Apr. 2013, 1 page.

(73) Assignee: **Target Brands, Inc.**, Minneapolis, MN
(US)

(Continued)

(**) Term: **14 Years**

Primary Examiner — Elizabeth Albert

(21) Appl. No.: **29/459,558**

(74) *Attorney, Agent, or Firm* — Leanne Taveggia Farrell;
Westman, Champlin & Koehler, P.A.

(22) Filed: **Jul. 1, 2013**

(57) **CLAIM**

The ornamental design for a desk caddy, as shown and described.

(51) **LOC (10) CL.** **19-02**

DESCRIPTION

(52) **U.S. CL.**
USPC **D19/77**

(58) **Field of Classification Search**
USPC D3/206, 207, 310, 313; D6/672, 682.1,
D6/682.2; D7/701–708; D19/75, 77–85,
D19/91, 94, 97, 99, 100, 135; 24/3.6, 3.7;
206/214, 224, 371; 211/69.1–69.9, 70;
D24/227, 230

See application file for complete search history.

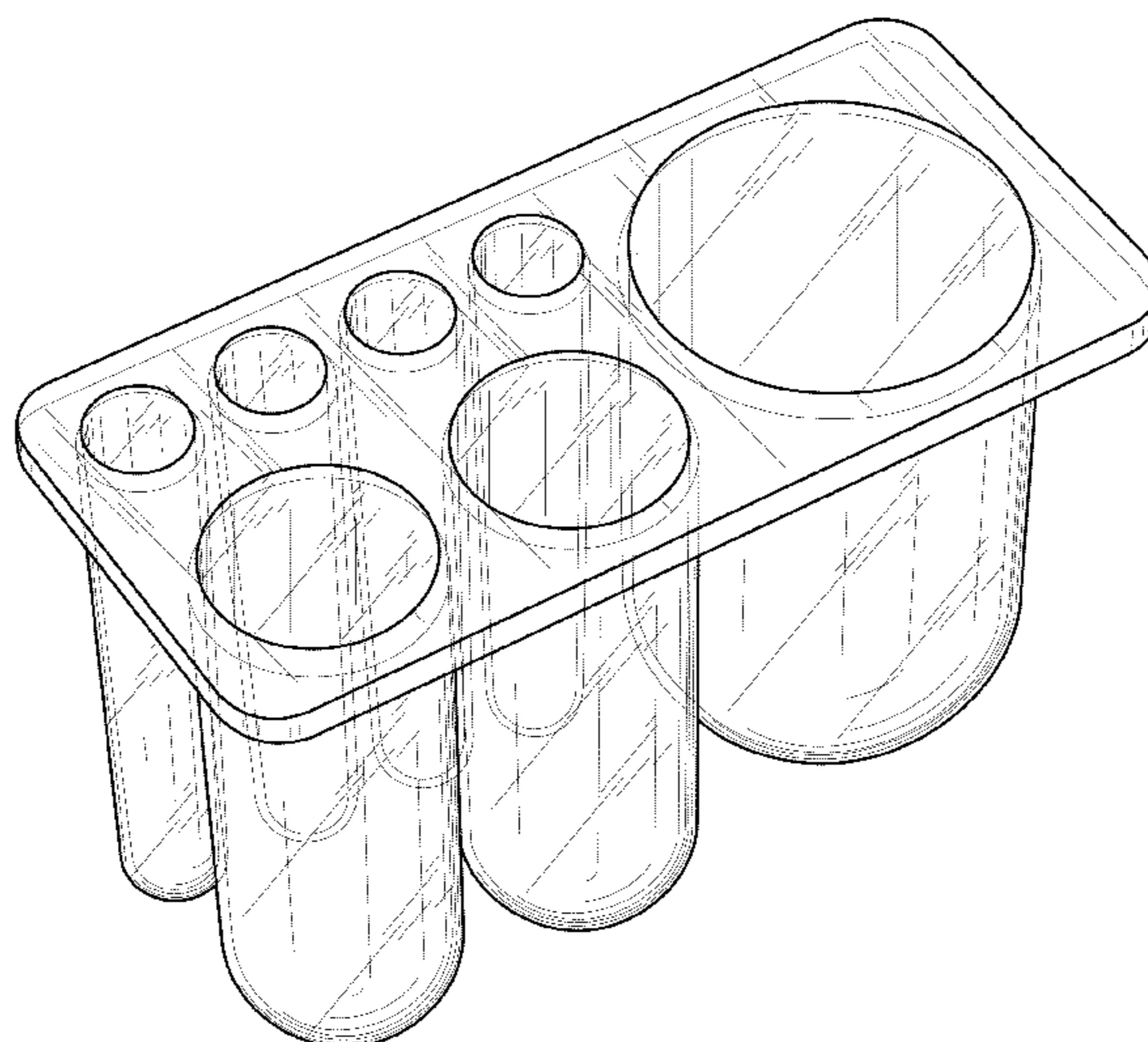
FIG. 1 is a perspective view of a desk caddy showing our new design;
FIG. 2 is a front view thereof;
FIG. 3 is a back view thereof;
FIG. 4 is a right side view thereof;
FIG. 5 is a left side view thereof;
FIG. 6 is a top view thereof;
FIG. 7 is a bottom view thereof;
FIG. 8 is a section view taken through the line indicated in FIG. 6 shown without the rest of the desk caddy for convenience of illustration;
FIG. 9 is a section view taken through the line indicated in FIG. 6 shown without the rest of the desk caddy for convenience of illustration; and,
FIG. 10 is a section view taken through the line indicated in FIG. 6 shown without the rest of the desk caddy for convenience of illustration.
The broken lines showing the broken away edges in FIGS. 8, 9, and 10 are included to show features that form no part of the claimed design.

(56) **References Cited**

U.S. PATENT DOCUMENTS

1,092,156	A	4/1914	Mathis	
1,162,948	A	12/1915	Sanders	
1,350,118	A *	8/1920	Spelling	206/214
1,463,805	A	8/1923	Faber	
2,691,960	A *	10/1954	Leeds et al.	30/454
D183,031	S	6/1958	Tarte, Jr.	
D206,324	S	11/1966	Broadwin	
3,785,773	A *	1/1974	Rohrbaugh	422/550
D325,396	S	4/1992	Nascher	
D325,934	S	5/1992	Ramljak	
D328,783	S *	8/1992	Vander Meulen et al.	D23/290

1 Claim, 5 Drawing Sheets



(56)

References Cited

U.S. PATENT DOCUMENTS

D383,495 S * 9/1997 Mollet D19/85
D408,058 S 4/1999 Isaacs
6,063,341 A * 5/2000 Fassbind et al. 422/525
D439,673 S * 3/2001 Brophy et al. D24/226
D500,234 S * 12/2004 Seward D7/708
D552,796 S * 10/2007 Petruccelli D28/73
D584,856 S * 1/2009 Kirschenmann D28/73
D584,857 S * 1/2009 Kirschenmann D28/73
D608,054 S * 1/2010 Radfar D28/73
D618,820 S * 6/2010 Wilson et al. D24/227
D637,737 S * 5/2011 Wilson et al. D24/230
D665,095 S * 8/2012 Wilson et al. D24/227

D669,597 S * 10/2012 Cavada et al. D24/224
D670,865 S * 11/2012 Cooper et al. D28/73
D692,162 S * 10/2013 Lentz et al. D24/224

OTHER PUBLICATIONS

Urban Outfitters, "Test Tube Office Supply Set," <http://www.urbanoutfitters.com/urban/catalog/productdetail.jsp?id=24979593&parentid=SUGGESTIVE+SEARCH+RESULTS>, at least as early as Apr. 2013, 1 page.
Etsy, "Desk Organizer Vintage European Metal Popsicle Mold, Pen and Pencil Holder," <http://www.etsy.com/listing/108824022/desk-organizer-vintage-european-metal?ref=market>, at least as early as Apr. 2013, 1 page.

* cited by examiner

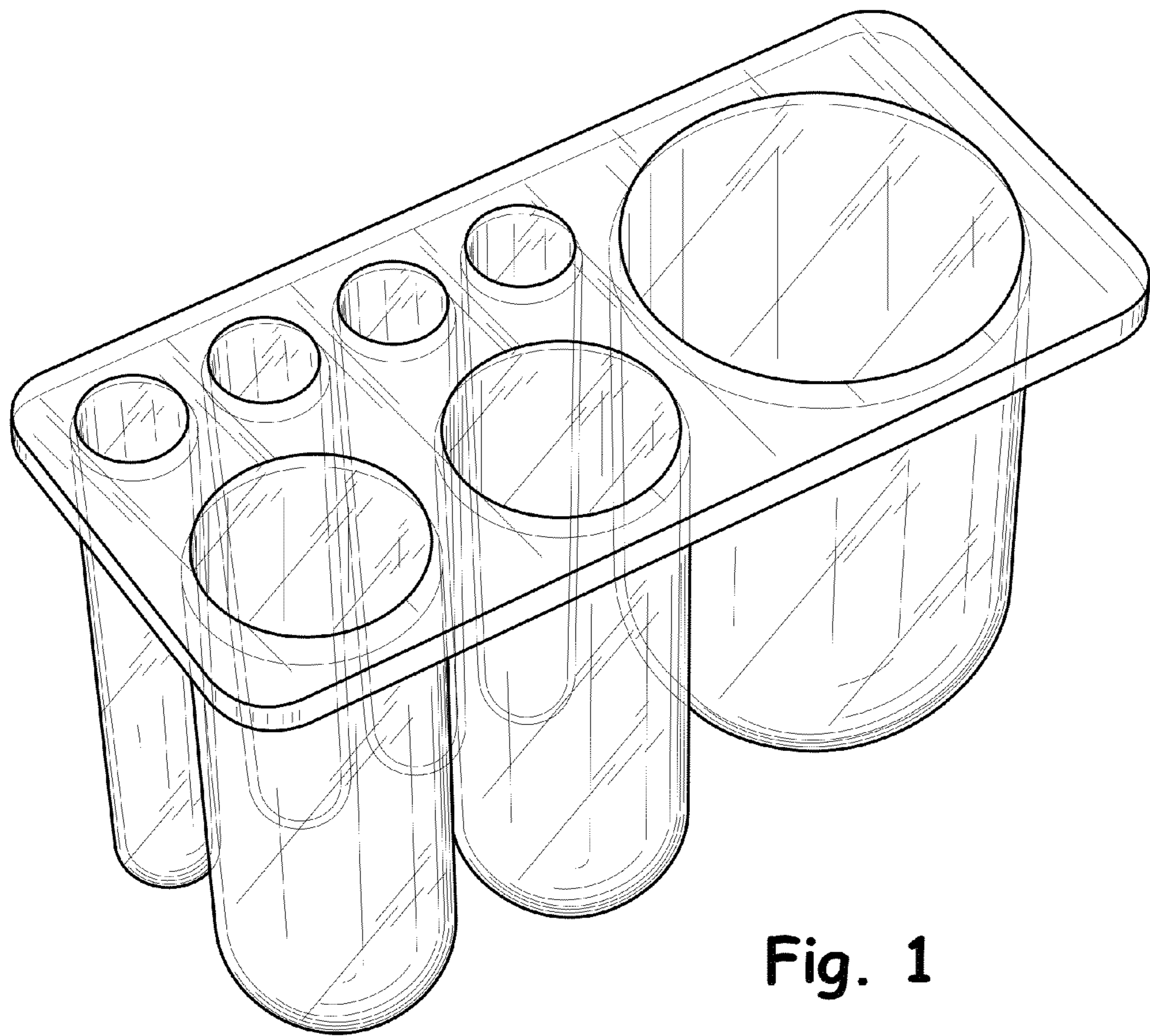


Fig. 1

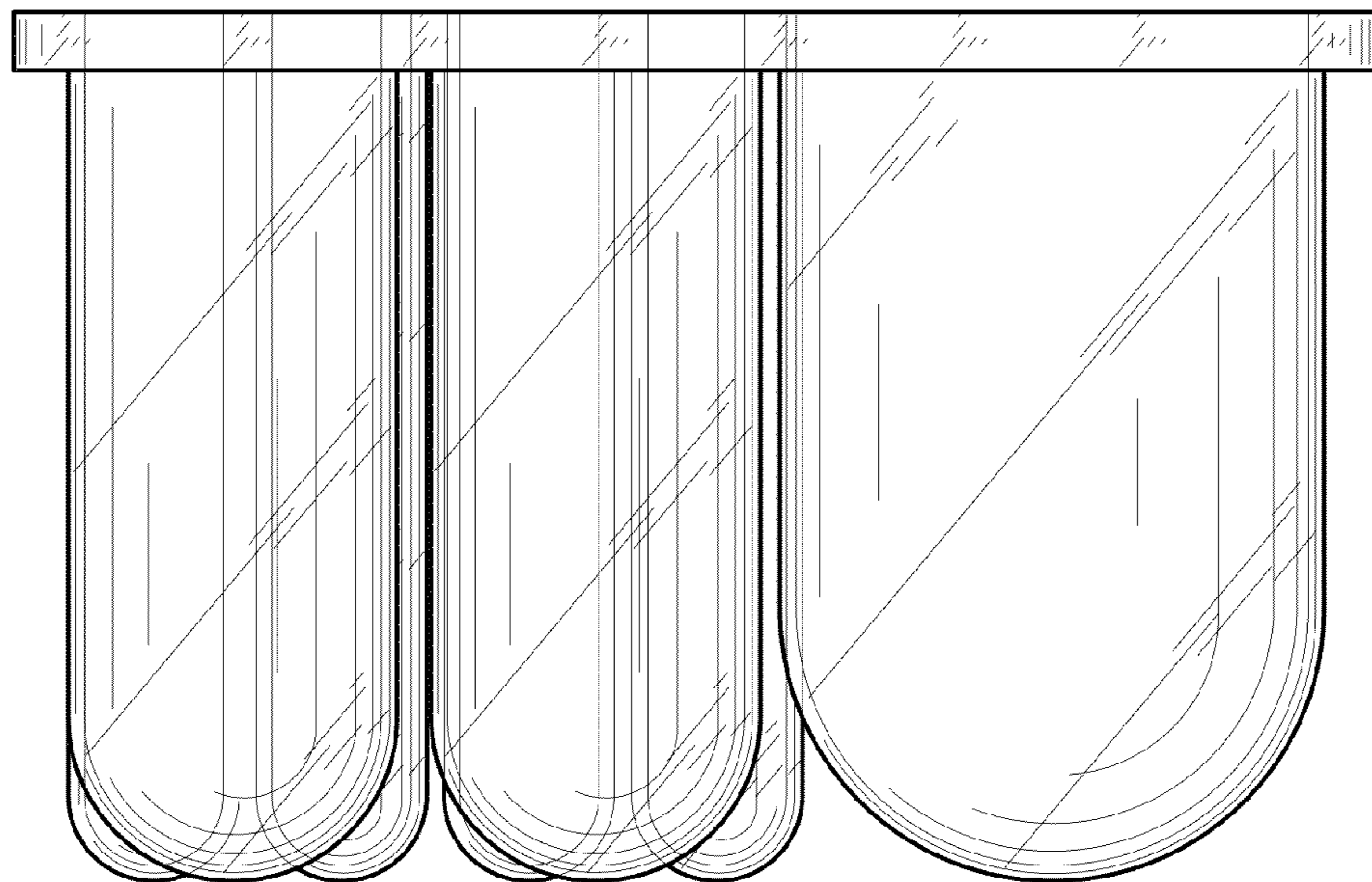


Fig. 2

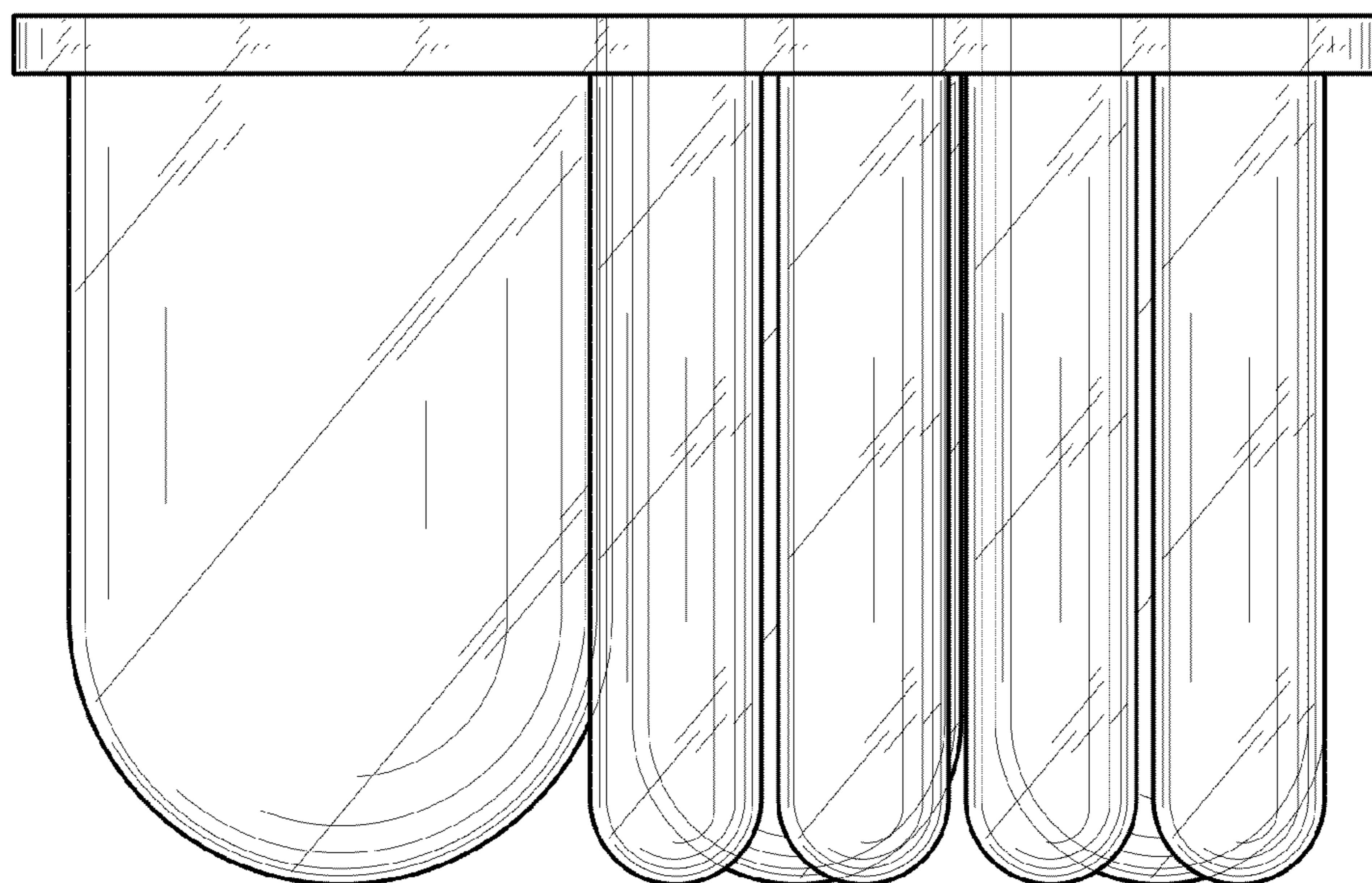


Fig. 3

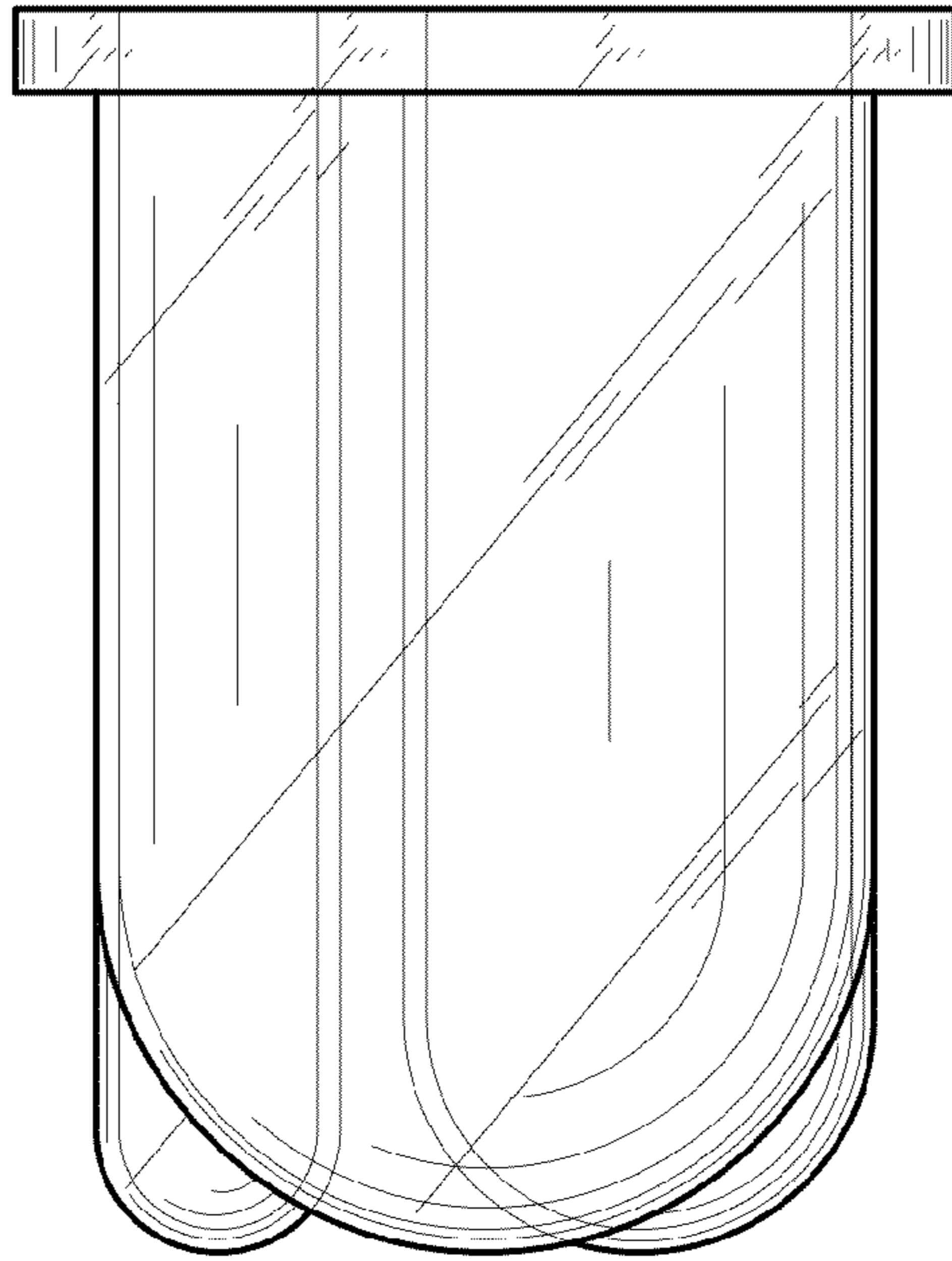


Fig. 4

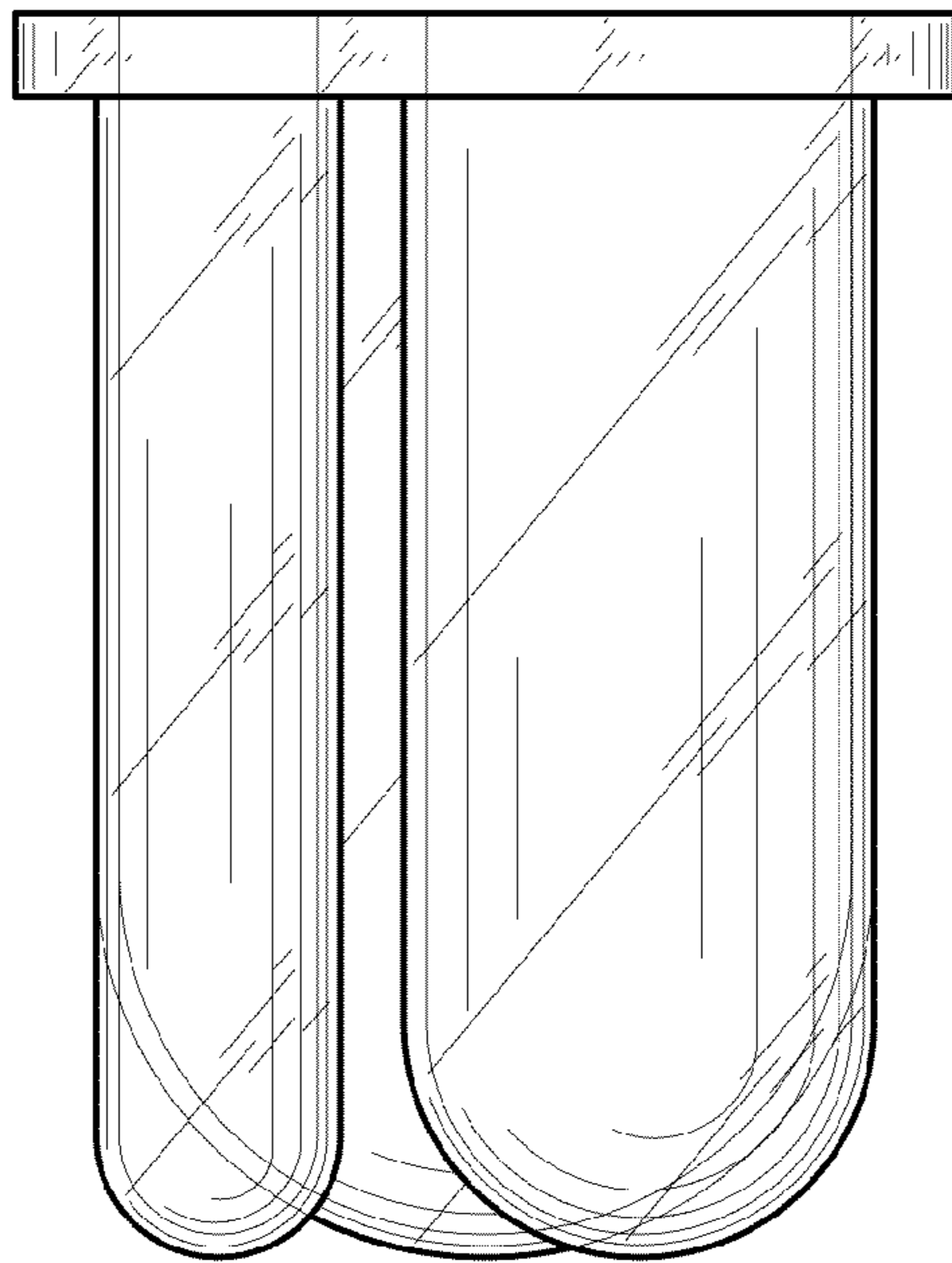


Fig. 5

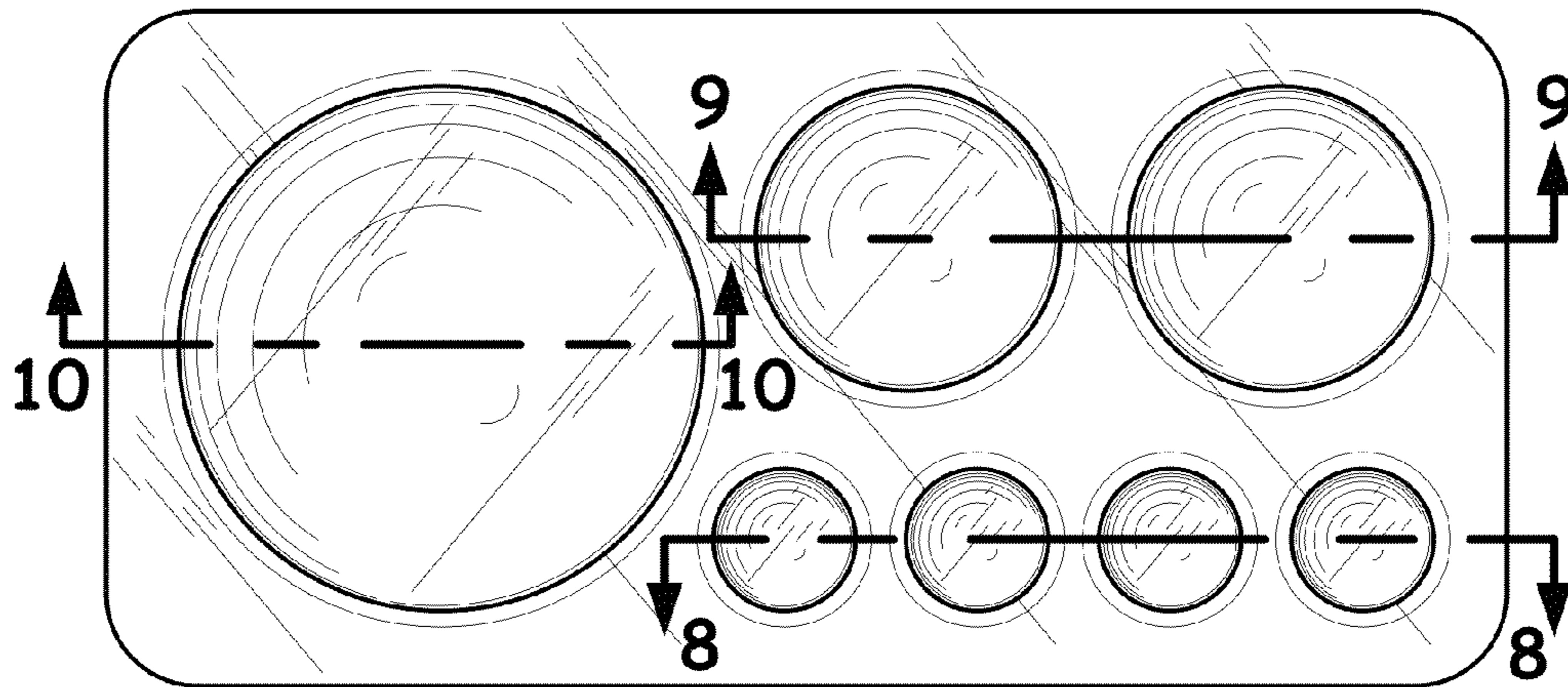


Fig. 6

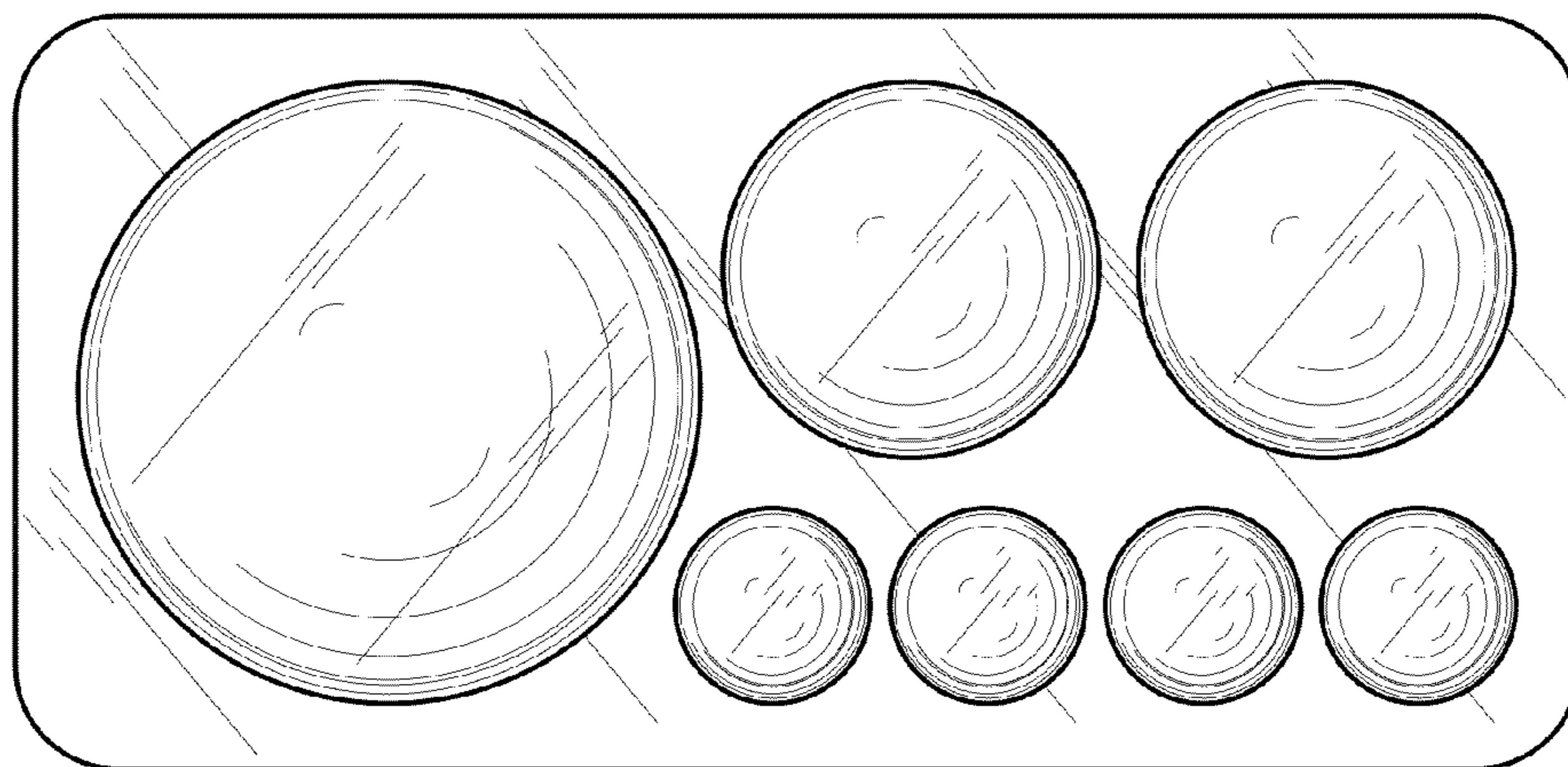


Fig. 7

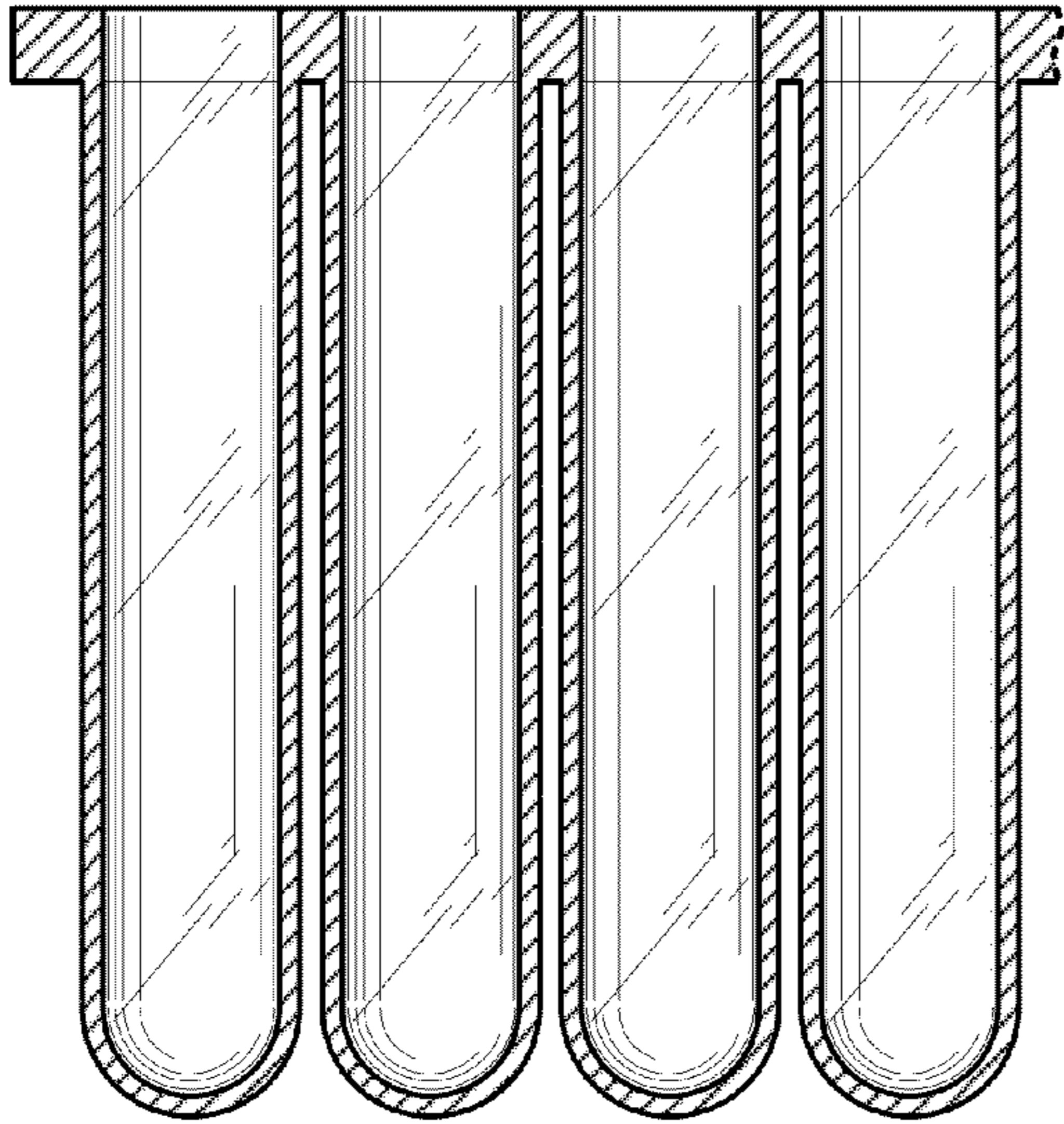


Fig. 8

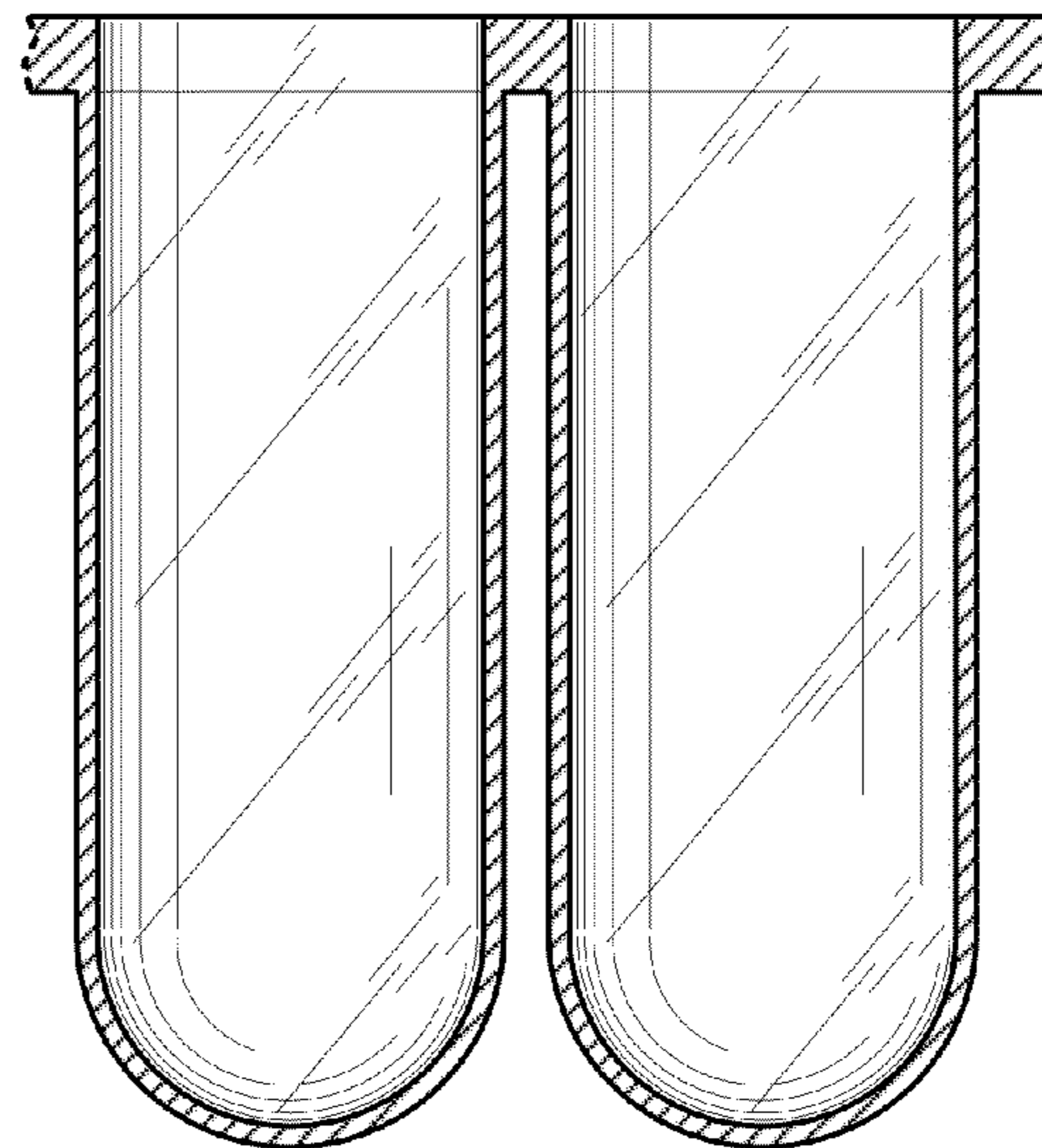


Fig. 9

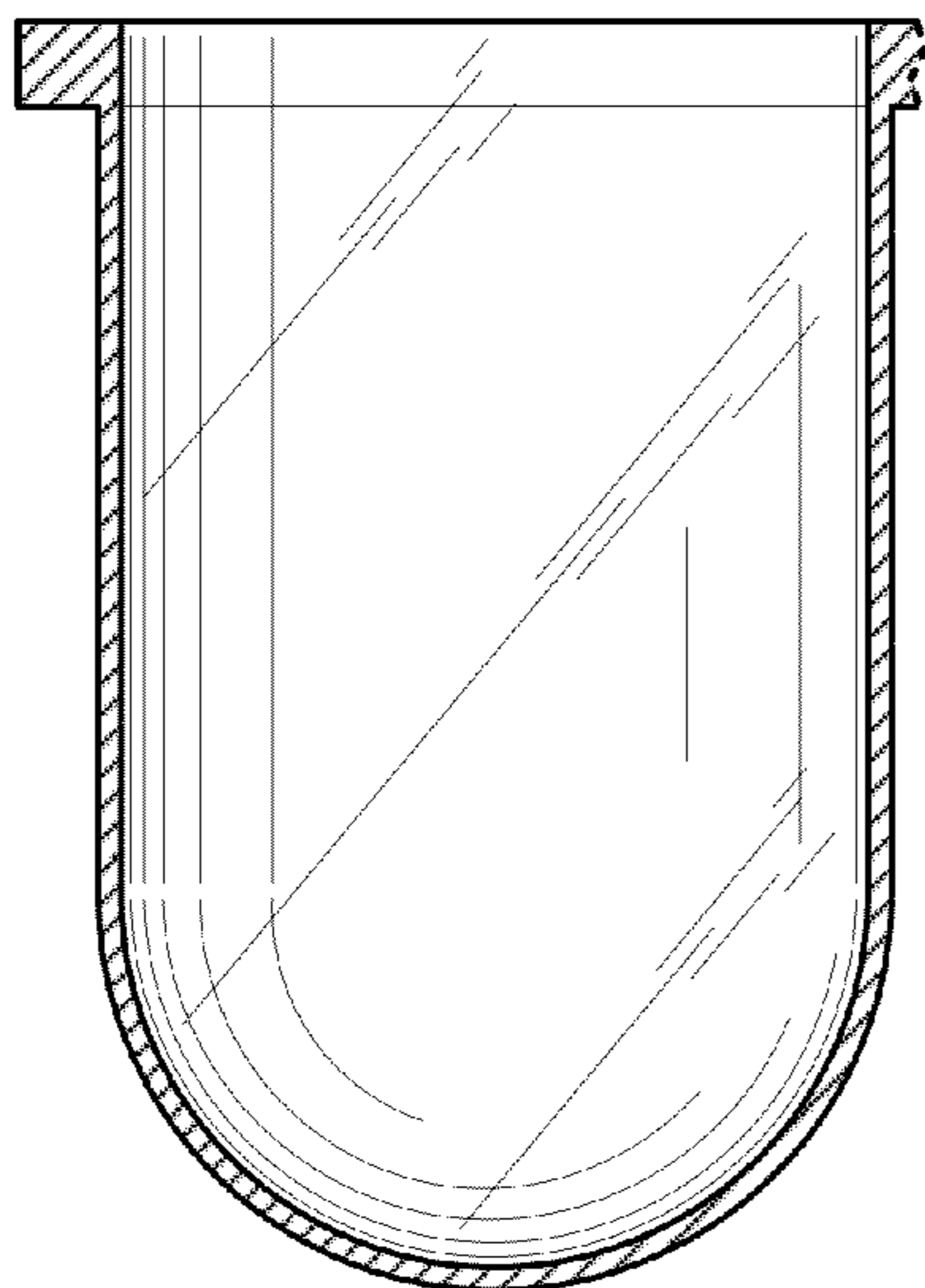


Fig. 10