



US00D703264S

(12) **United States Design Patent**
Shibuya et al.

(10) **Patent No.:** **US D703,264 S**
(45) **Date of Patent:** **** Apr. 22, 2014**

(54) **IMPRINTER FOR SCANNER**

- (71) Applicant: **PFU Limited**, Kahoku (JP)
- (72) Inventors: **Motoshi Shibuya**, Kahoku (JP); **Shuji Hashimoto**, Kanazawa (JP); **Ryoichi Yasukawa**, Kahoku (JP)
- (73) Assignee: **PFU Limited**, Ishikawa (JP)
- (**) Term: **14 Years**

(21) Appl. No.: **29/444,313**

(22) Filed: **Jan. 29, 2013**

(30) **Foreign Application Priority Data**

Dec. 12, 2012 (JP) 2012-030364

(51) **LOC (10) Cl.** **14-02**

(52) **U.S. Cl.**
USPC **D18/50**

(58) **Field of Classification Search**
USPC D18/14, 19, 36-37, 50, 54, 54.1, 55;
D14/420-425, 462-470; 400/613,
400/613.1-613.4, 690.1-690.4, 691-694
See application file for complete search history.

(56) **References Cited**

U.S. PATENT DOCUMENTS

4,750,047	A *	6/1988	Kotani et al.	358/476
5,312,196	A *	5/1994	Hock et al.	400/624
5,462,375	A *	10/1995	Isobe et al.	400/680
5,917,995	A *	6/1999	Ota	400/691
7,841,792	B2 *	11/2010	Cook et al.	400/693
7,959,366	B2 *	6/2011	You	400/693

OTHER PUBLICATIONS

Design U.S. Appl. No. 29/444,308, filed Jan. 29, 2013 by Satoshi Kuroda et al.
 Design U.S. Appl. No. 29/444,310, filed Jan. 29, 2013 by Satoshi Kuroda et al.
 Design U.S. Appl. No. 29/444,312, filed Jan. 29, 2013 by Motoshi Shibuya et al.
 Notice of Allowance and Fee(s) Due dated Jun. 17, 2013, for U.S. Appl. No. 29/444,308, including Notice of References Cited.
 Notice of Allowance and Fee(s) Due dated Jun. 17, 2013, for U.S. Appl. No. 29/444,312, including Notice of References Cited.

* cited by examiner

Primary Examiner — Cathy A MacCormac
(74) *Attorney, Agent, or Firm* — RatnerPrestia

(57) **CLAIM**

The ornamental design for an imprinter for a scanner, as shown and described.

DESCRIPTION

FIG. 1 is a front perspective view of an imprinter for a scanner showing our new design;
 FIG. 2 is a front view thereof;
 FIG. 3 is a rear view thereof;
 FIG. 4 is a right side view thereof;
 FIG. 5 is a left side view thereof;
 FIG. 6 is a top plan view thereof;
 FIG. 7 is a bottom plan view thereof; and,
 FIG. 8 is another perspective view of the imprinter for a scanner combined with the scanner.
 The broken lines in the drawings are for the purpose of illustrating unclaimed portions of the imprinter for a scanner and form no part of the claimed design.

1 Claim, 5 Drawing Sheets

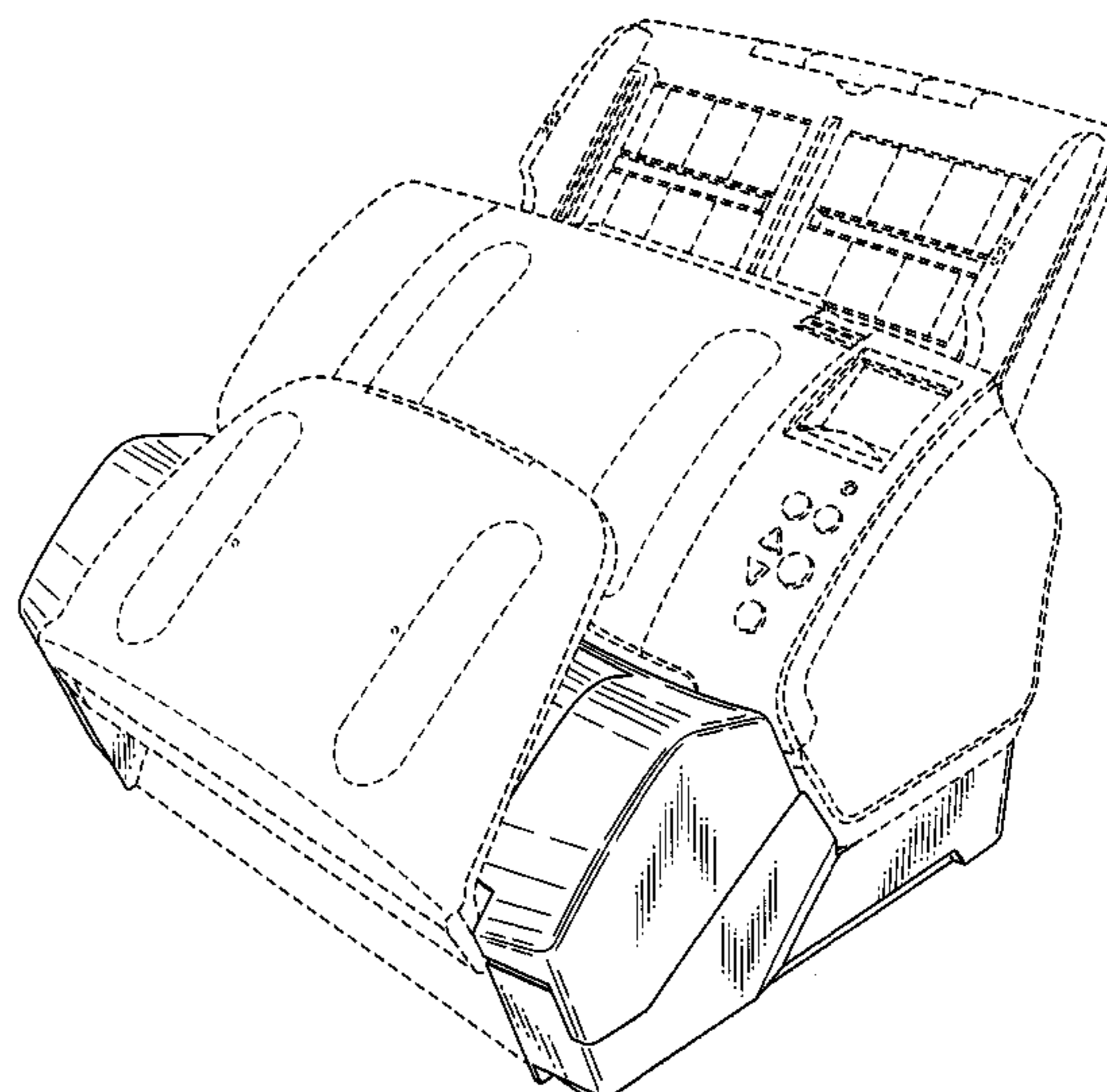
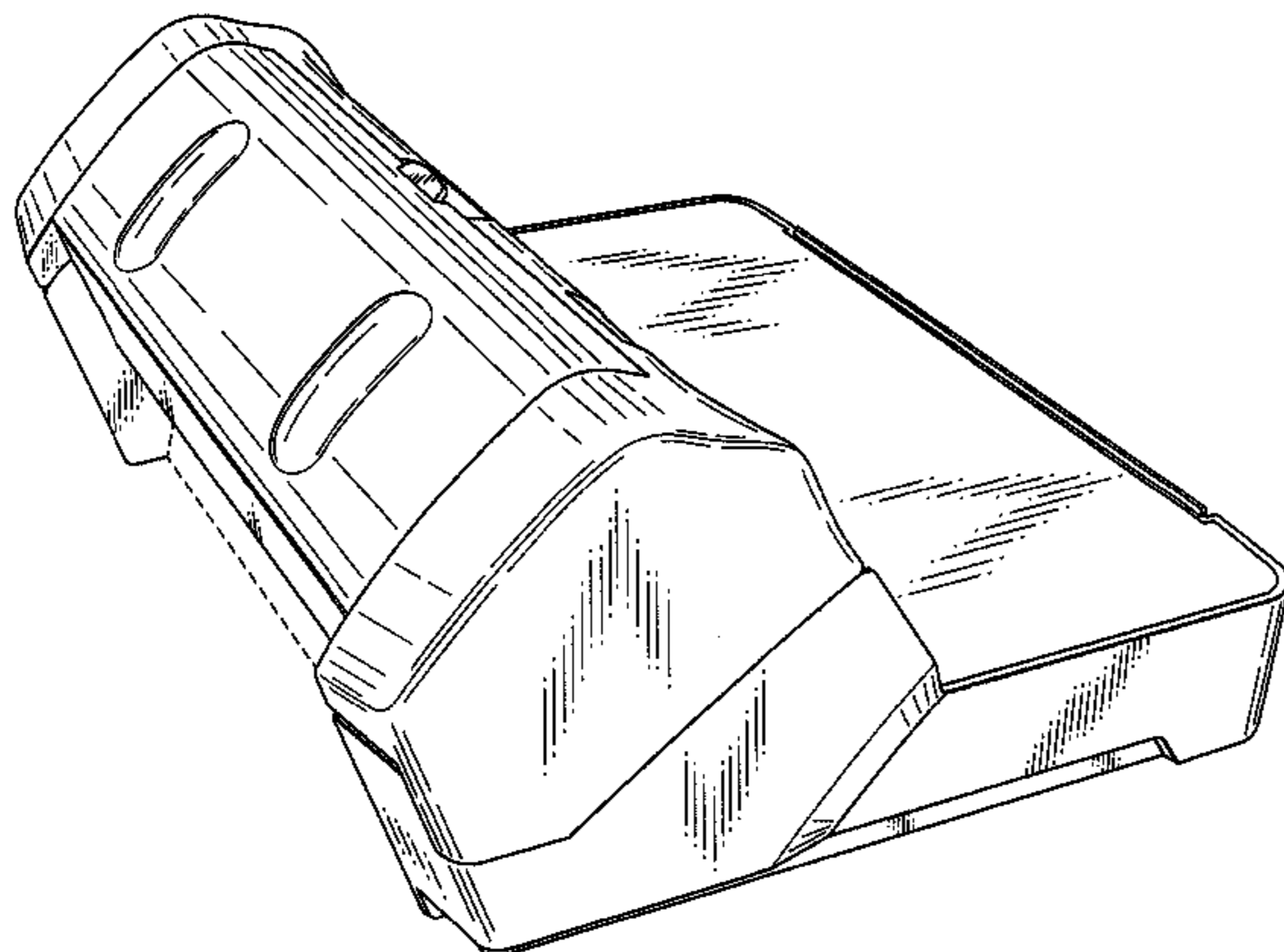


Fig. 1

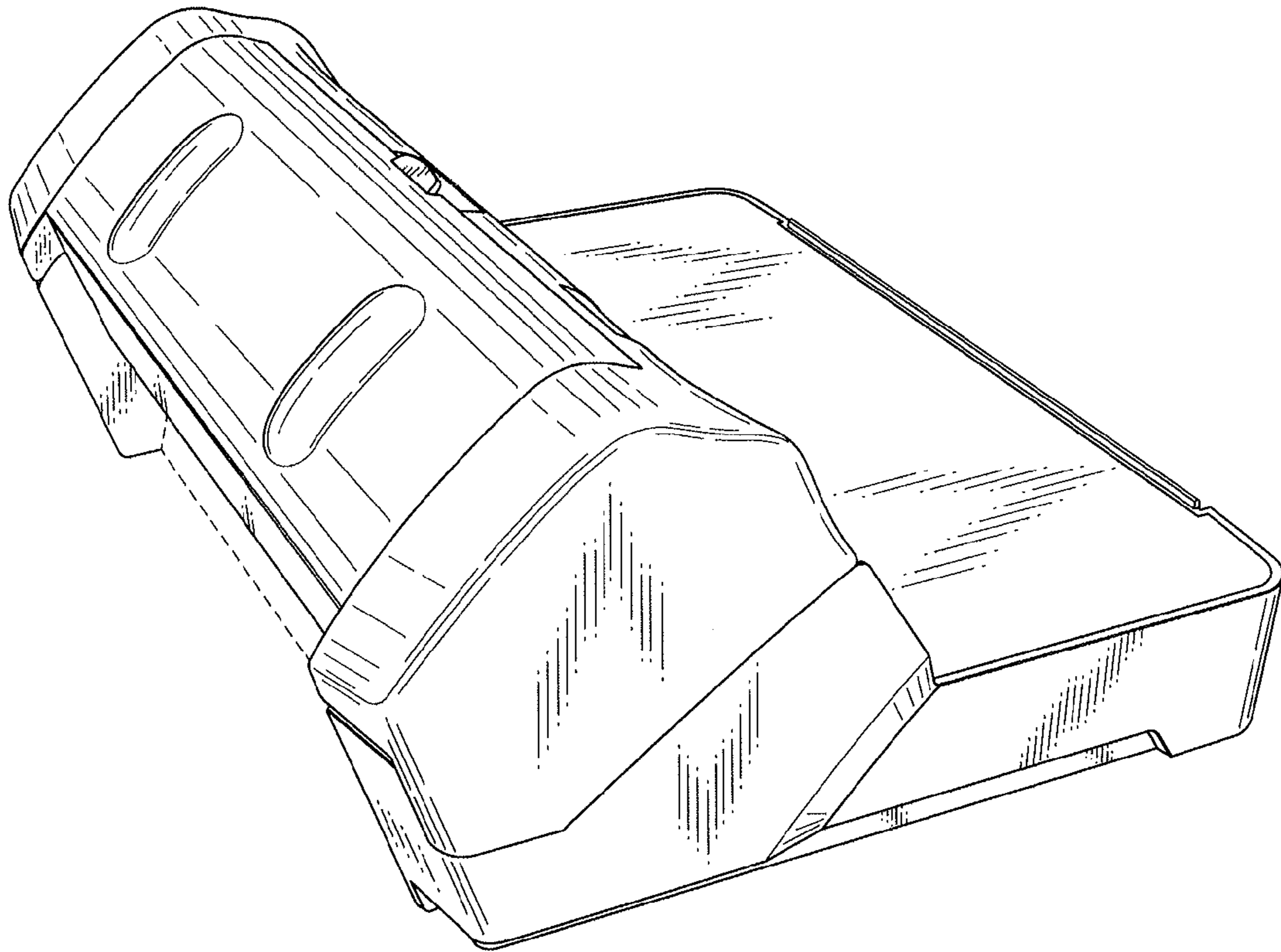


Fig. 2

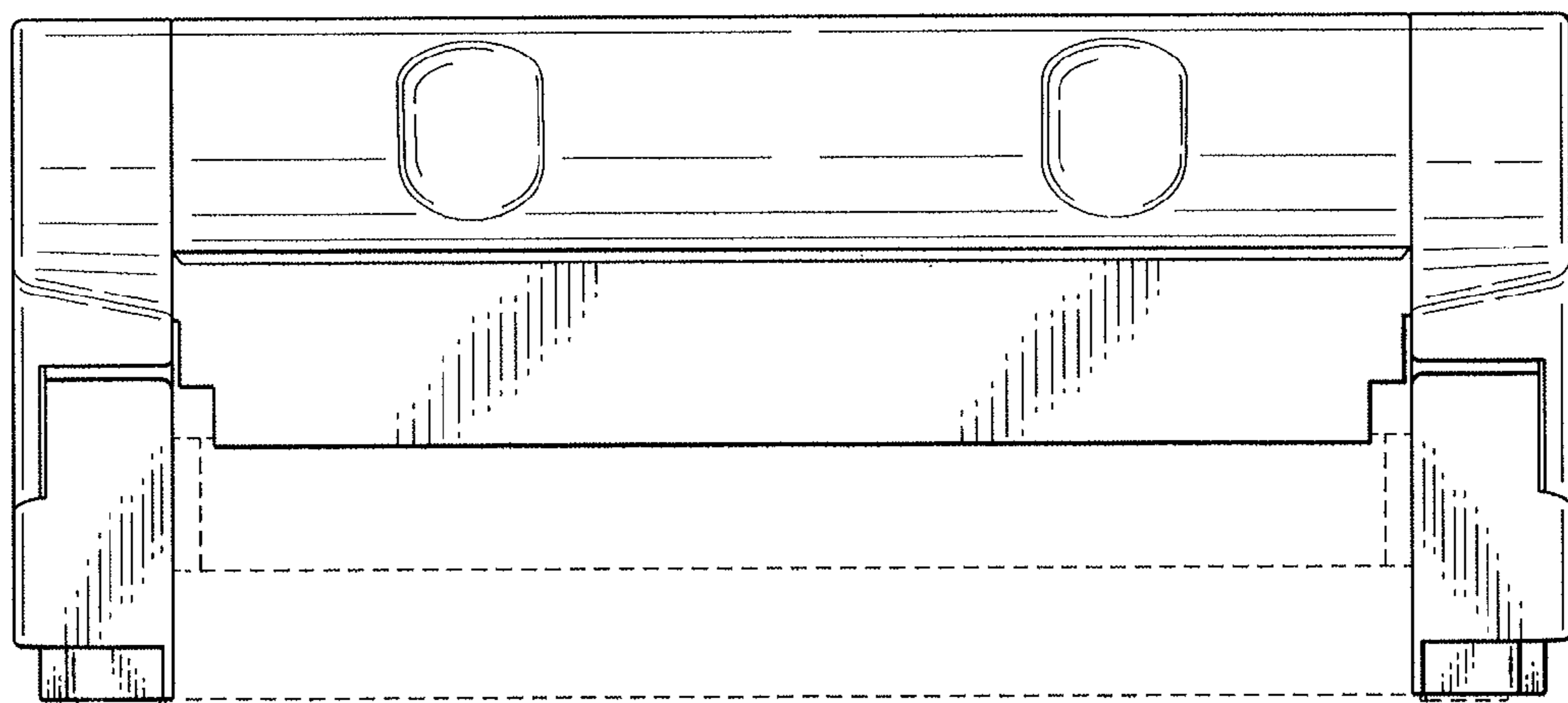


Fig.3

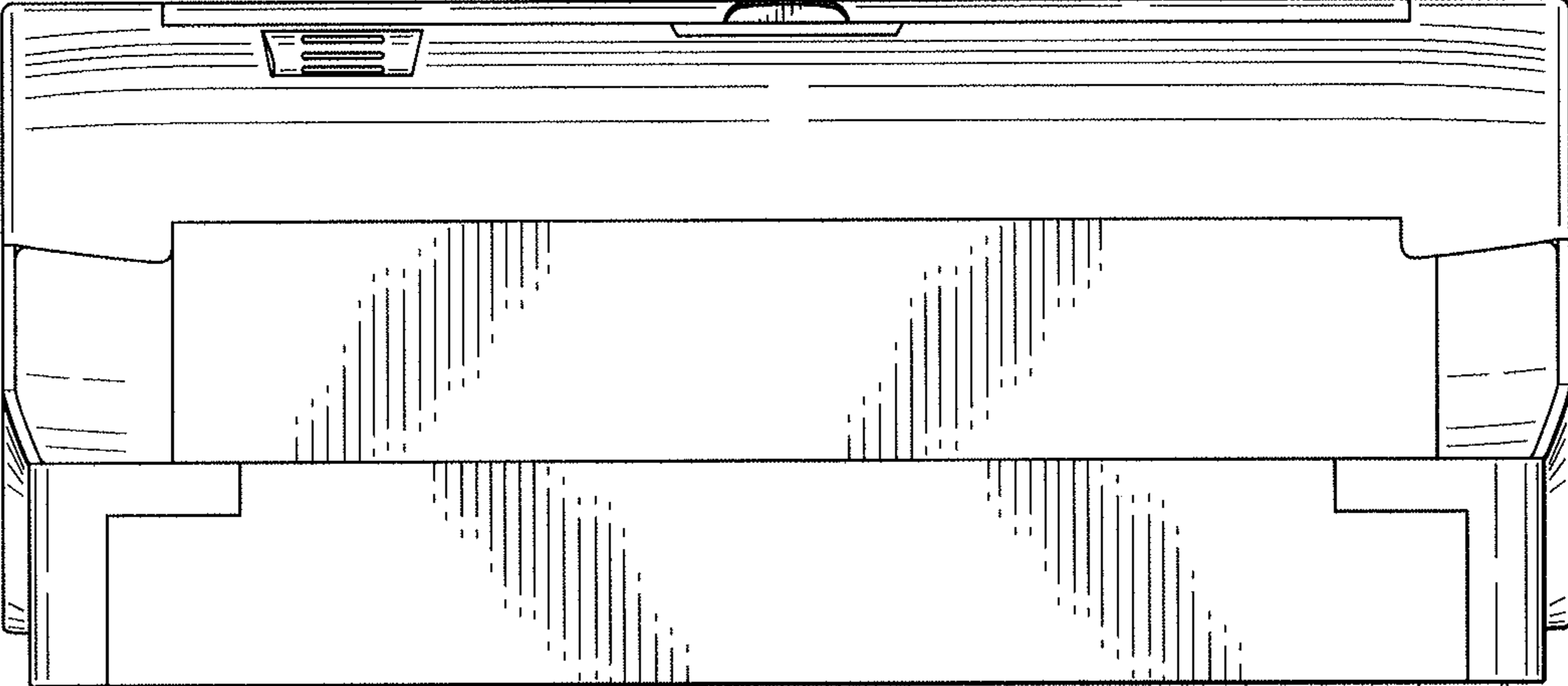


Fig.4

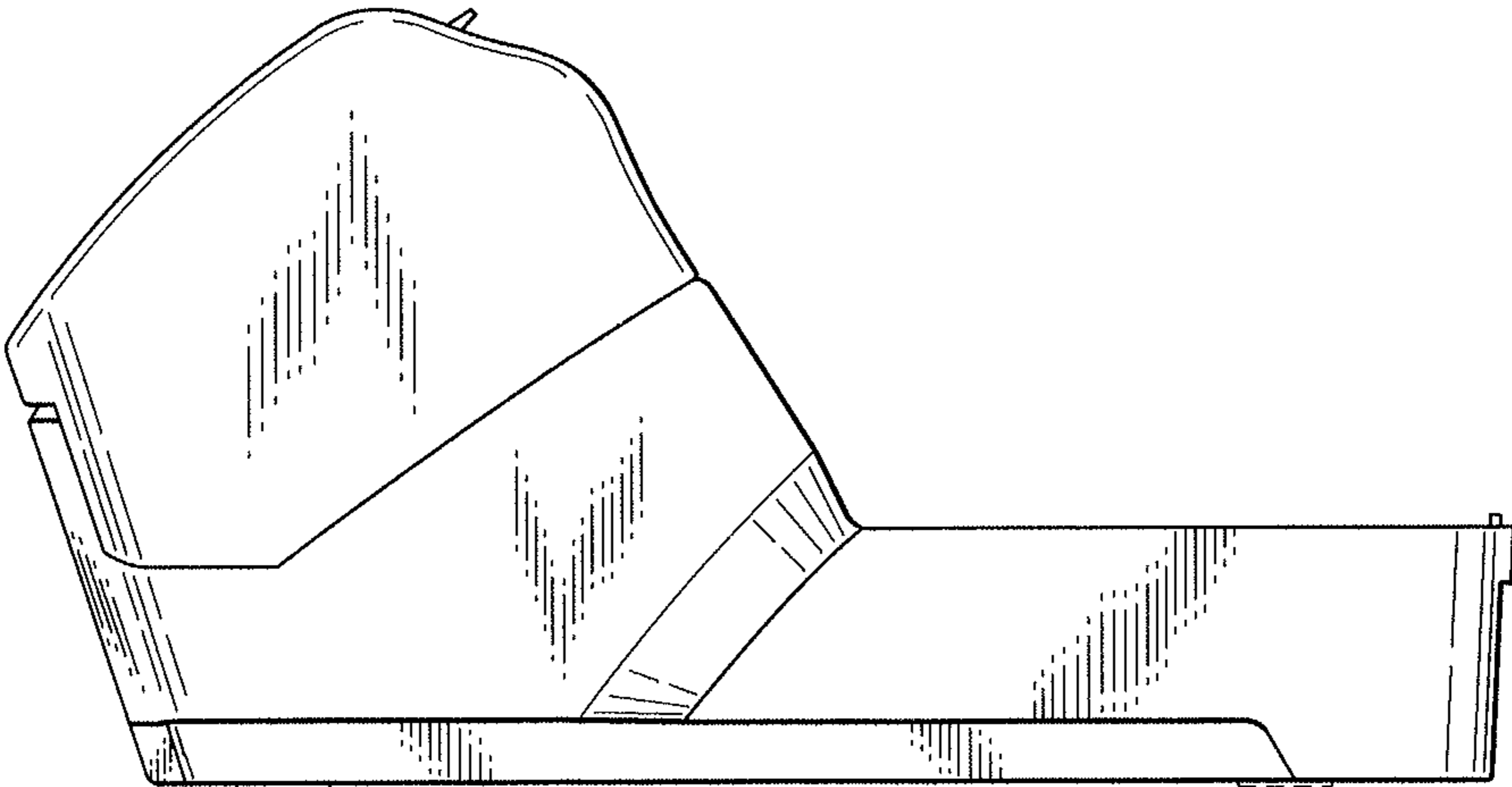


Fig. 5

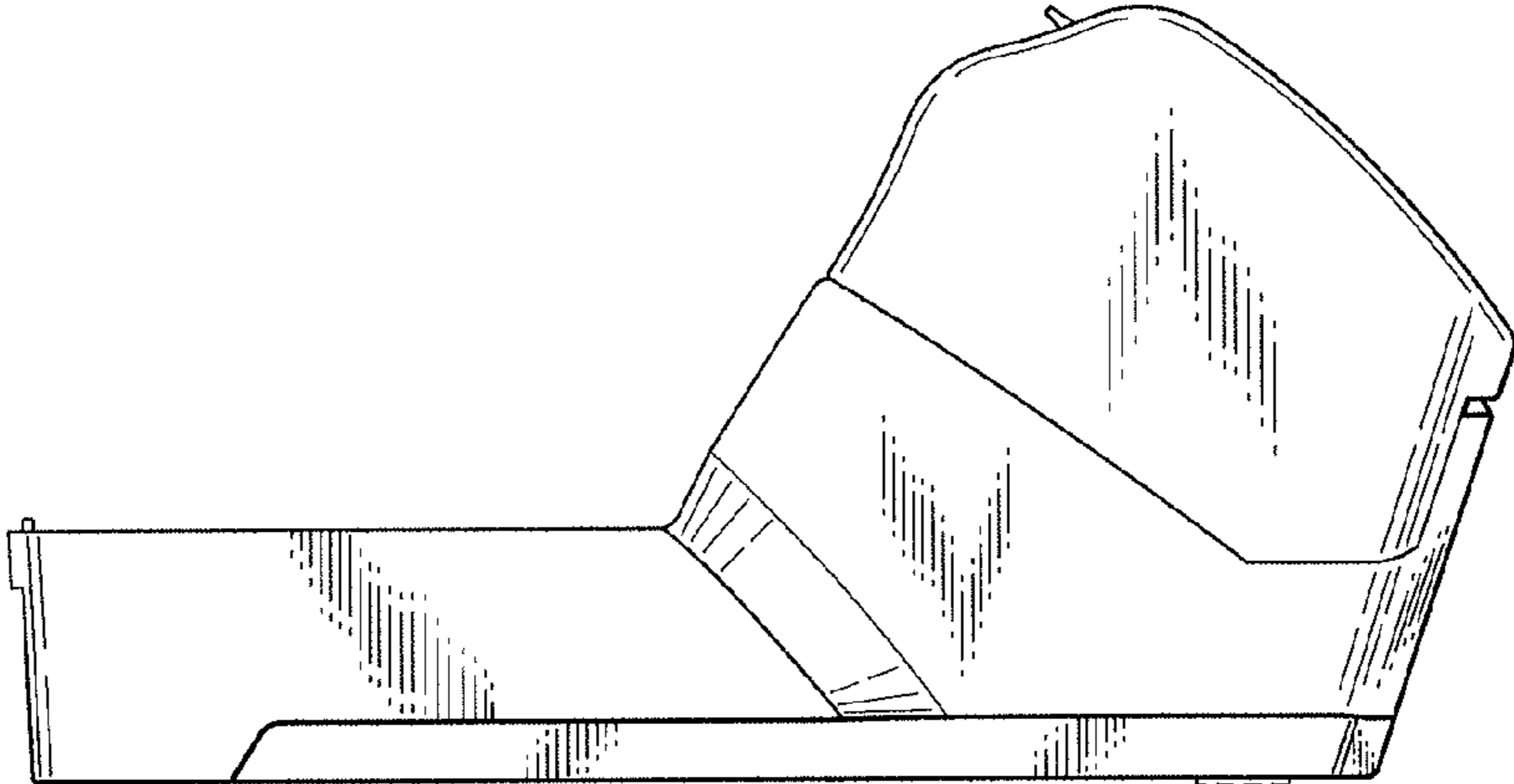


Fig. 6

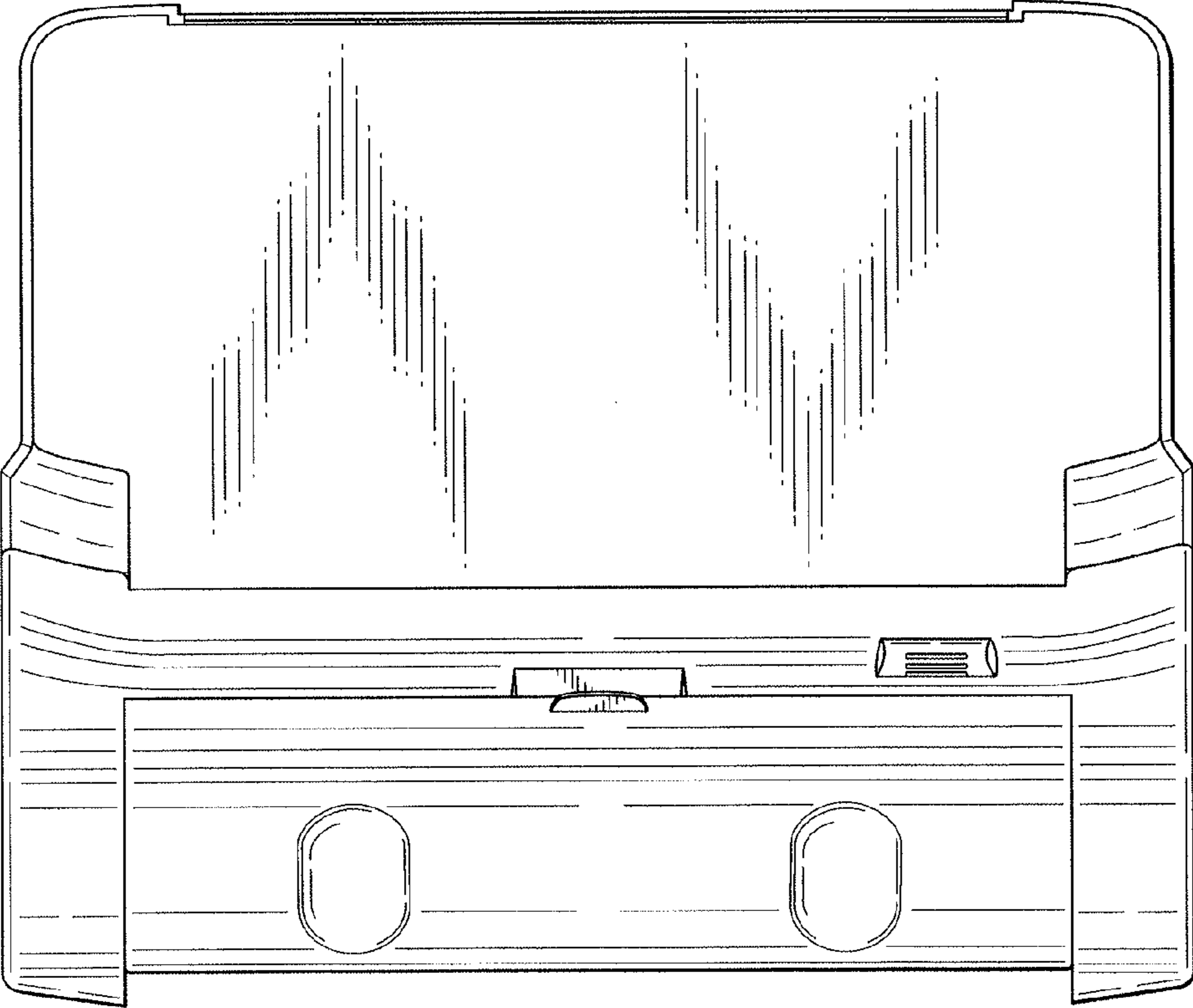


Fig. 7

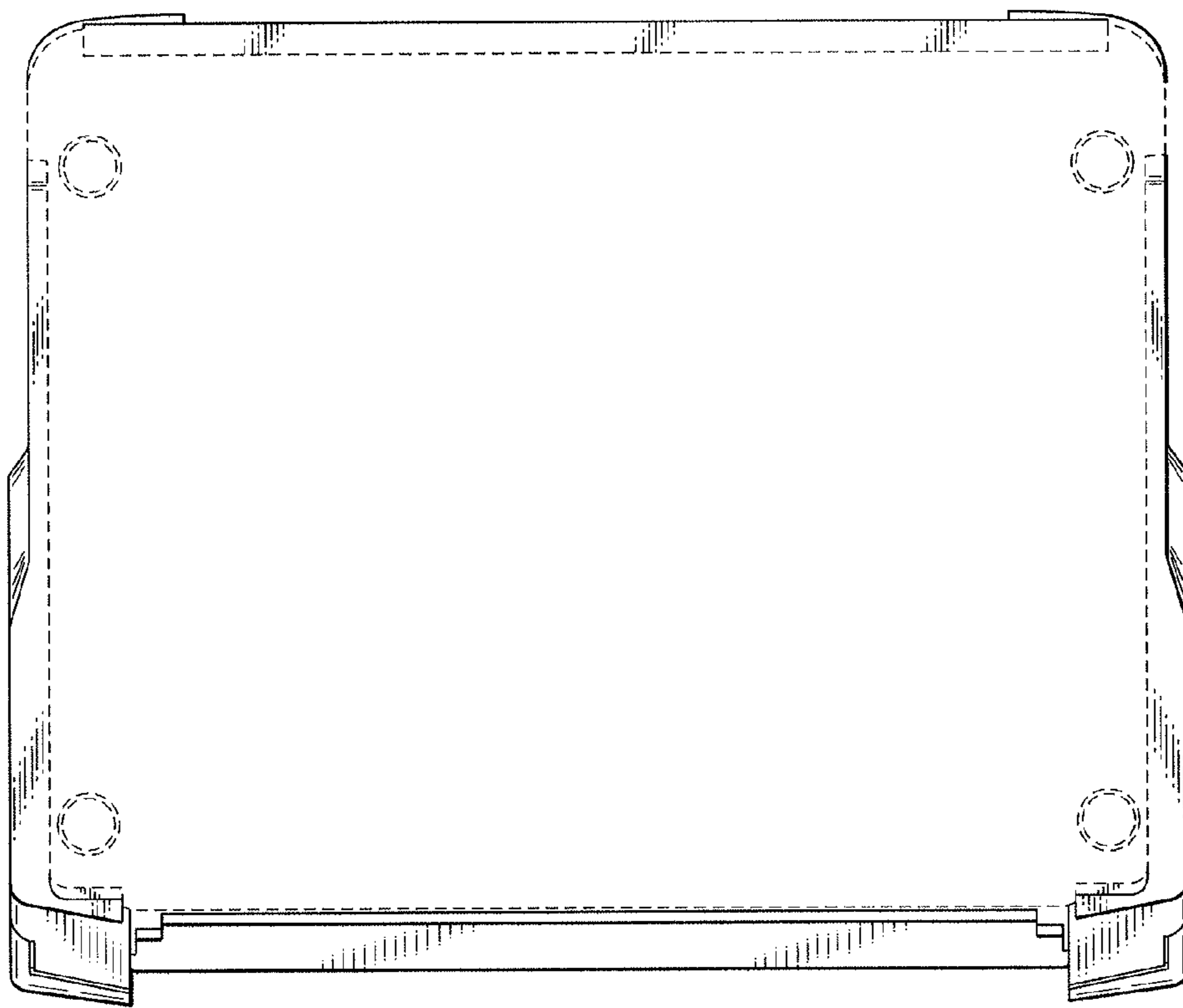


Fig.8

