



US00D703263S

(12) **United States Design Patent**  
**D'Addario et al.**

(10) **Patent No.:** **US D703,263 S**  
(45) **Date of Patent:** **\*\* Apr. 22, 2014**

(54) **MUSIC INSTRUMENT TUNER**

(75) Inventors: **James D'Addario**, Old Westbury, NY (US); **Richard N. Steinberger**, Nobleboro, ME (US)

(73) Assignee: **D'Addario & Company, Inc.**, Farmingdale, NY (US)

(\*\*) Term: **14 Years**

(21) Appl. No.: **29/430,380**

(22) Filed: **Aug. 24, 2012**

(51) **LOC (10) Cl.** ..... **17-99**

(52) **U.S. Cl.**  
USPC ..... **D17/99**

(58) **Field of Classification Search**  
USPC ..... D17/20, 21, 99; 84/312 R, 317, 318, 84/454, 455, 200-209

See application file for complete search history.

(56) **References Cited**

**U.S. PATENT DOCUMENTS**

D661,342 S *	6/2012	Ridinger .....	D17/99
D666,664 S *	9/2012	Steinberger .....	D17/99
D678,395 S *	3/2013	Strauser .....	D17/21
D687,883 S *	8/2013	Ando et al. ....	D17/20
D688,301 S *	8/2013	Ando .....	D17/20

\* cited by examiner

*Primary Examiner* — Rashida Johnson

(74) *Attorney, Agent, or Firm* — Alix, Yale & Ristas, LLP

(57) **CLAIM**

The ornamental design for the music instrument tuner, as shown and described.

**DESCRIPTION**

FIG. 1 is a bottom perspective view of the music instrument tuner;

FIG. 2 is a top perspective view of the music instrument tuner of FIG. 1;

FIG. 3 is a top view of the music instrument tuner of FIG. 1; FIG. 4 is a bottom view of the music instrument tuner of FIG. 1;

FIG. 5 is a rear end view of the music instrument tuner of FIG. 1;

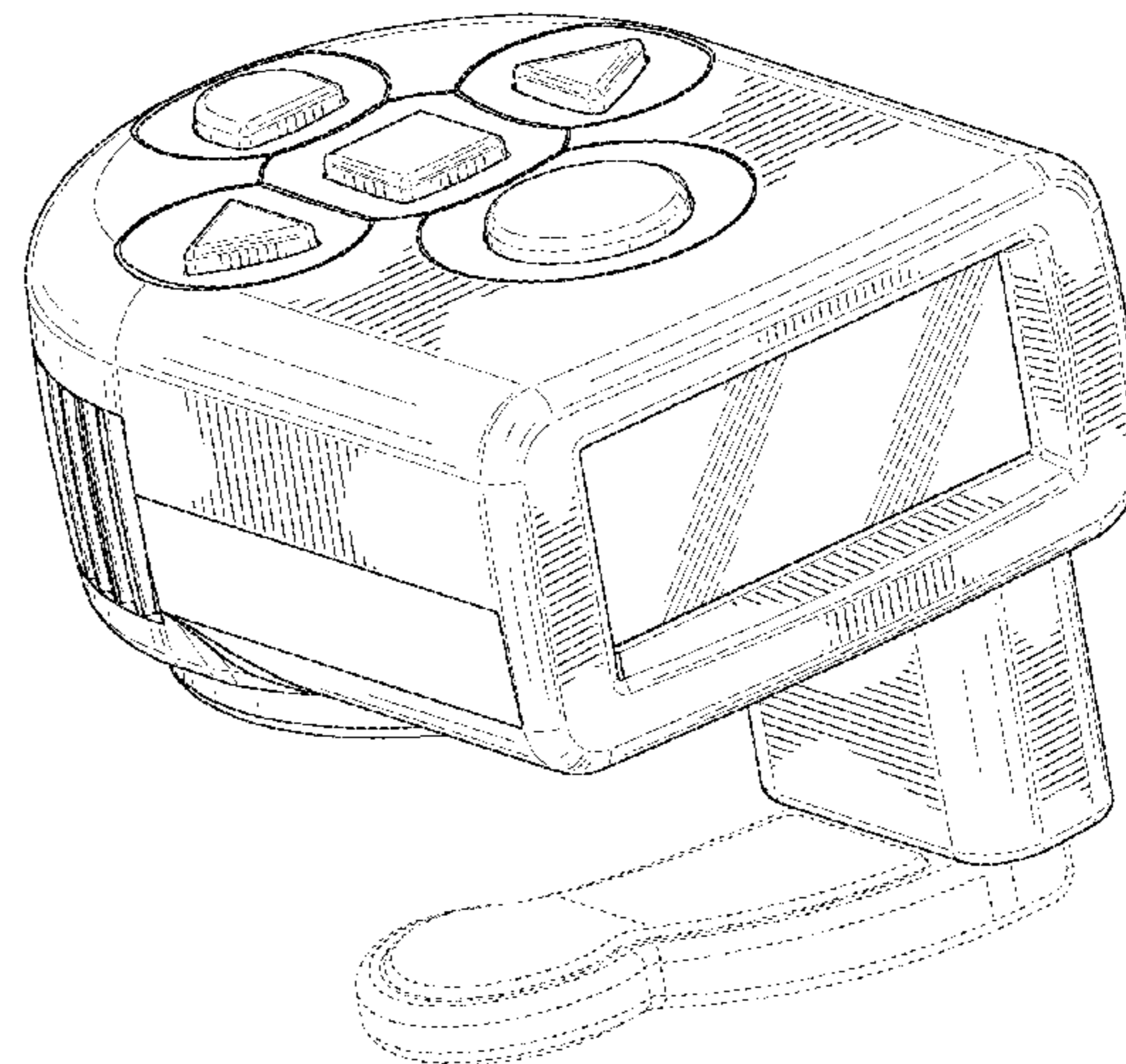
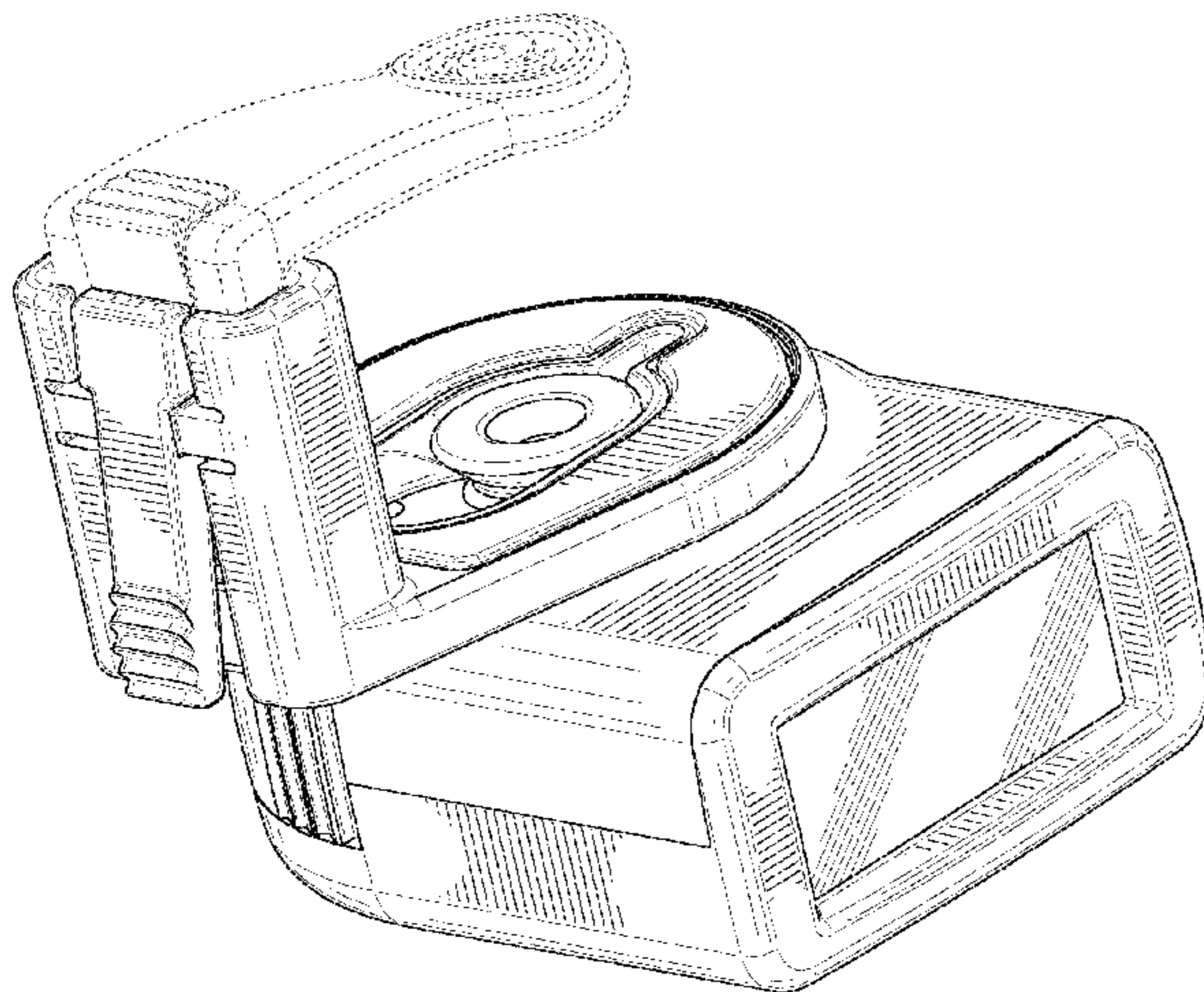
FIG. 6 is a front end view of the music instrument tuner of FIG. 1;

FIG. 7 is a left side view of the music instrument tuner of FIG. 1, relative to the view of FIG. 3; and,

FIG. 8 is a right side view of the music instrument tuner of FIG. 1, relative to the view of FIG. 3.

The broken lines in FIGS. 1-8 represent the portions of the music instrument tuner, which form no part of the claimed design.

**1 Claim, 8 Drawing Sheets**



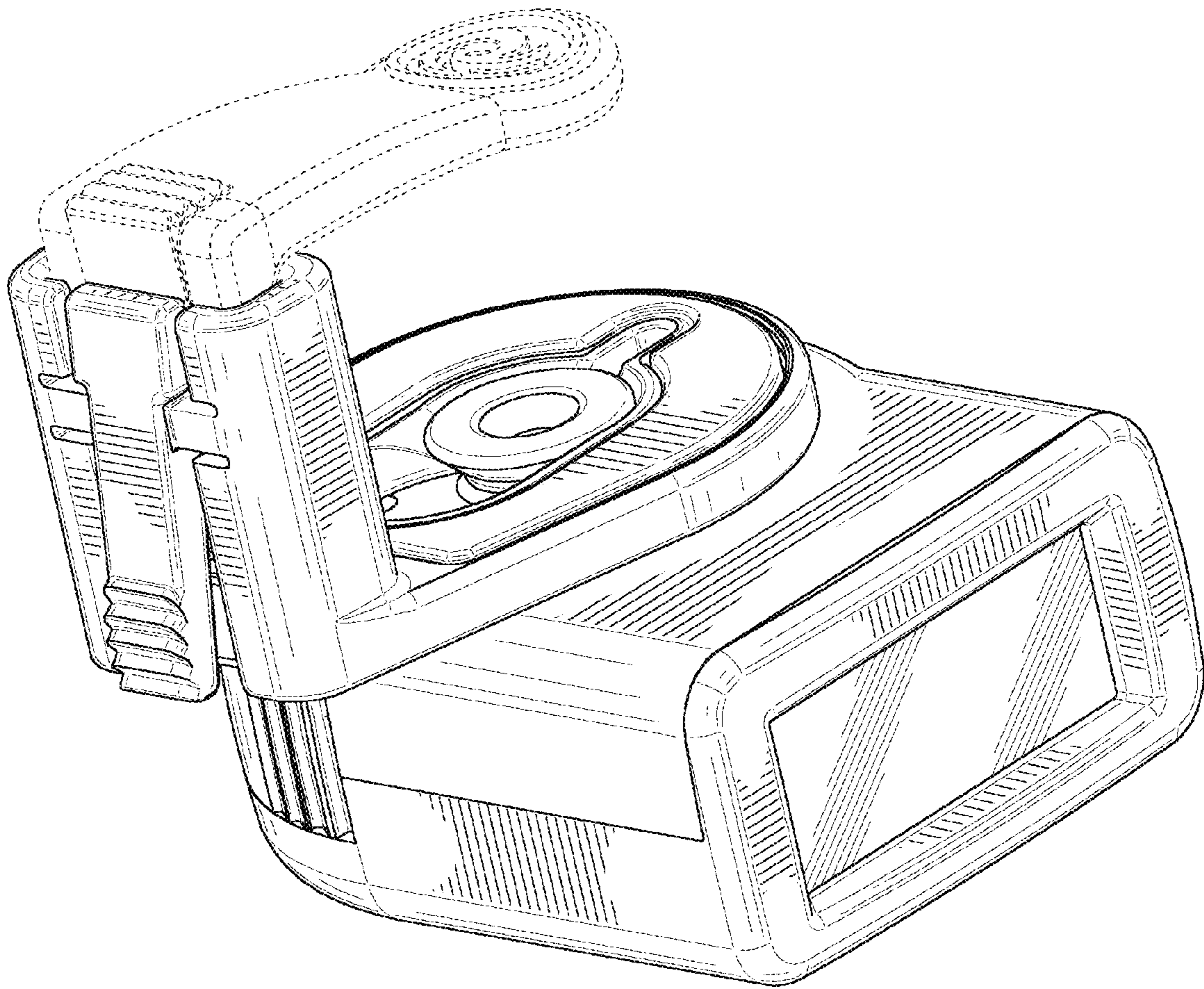


FIG. 1

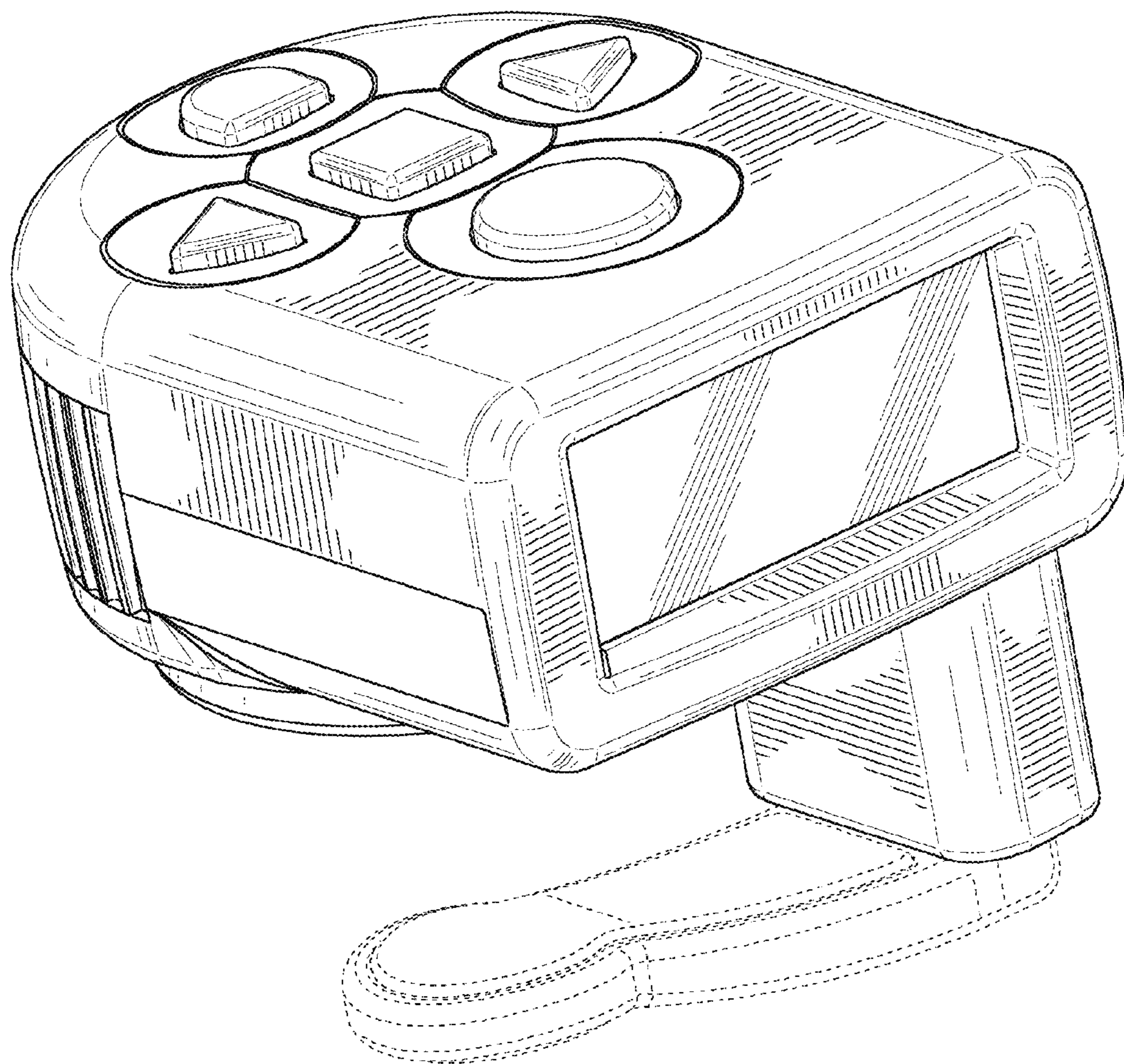


FIG. 2

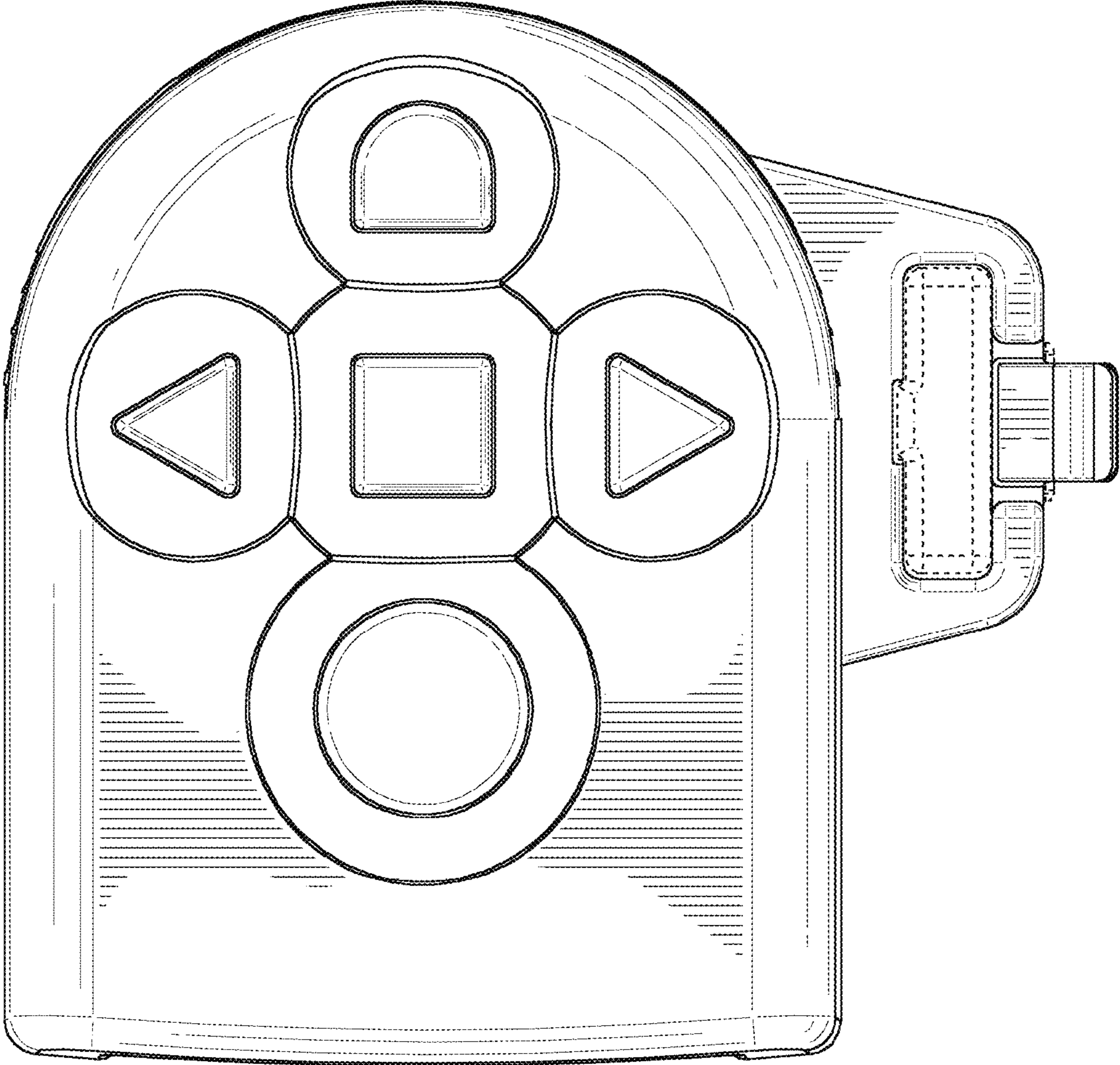


FIG. 3

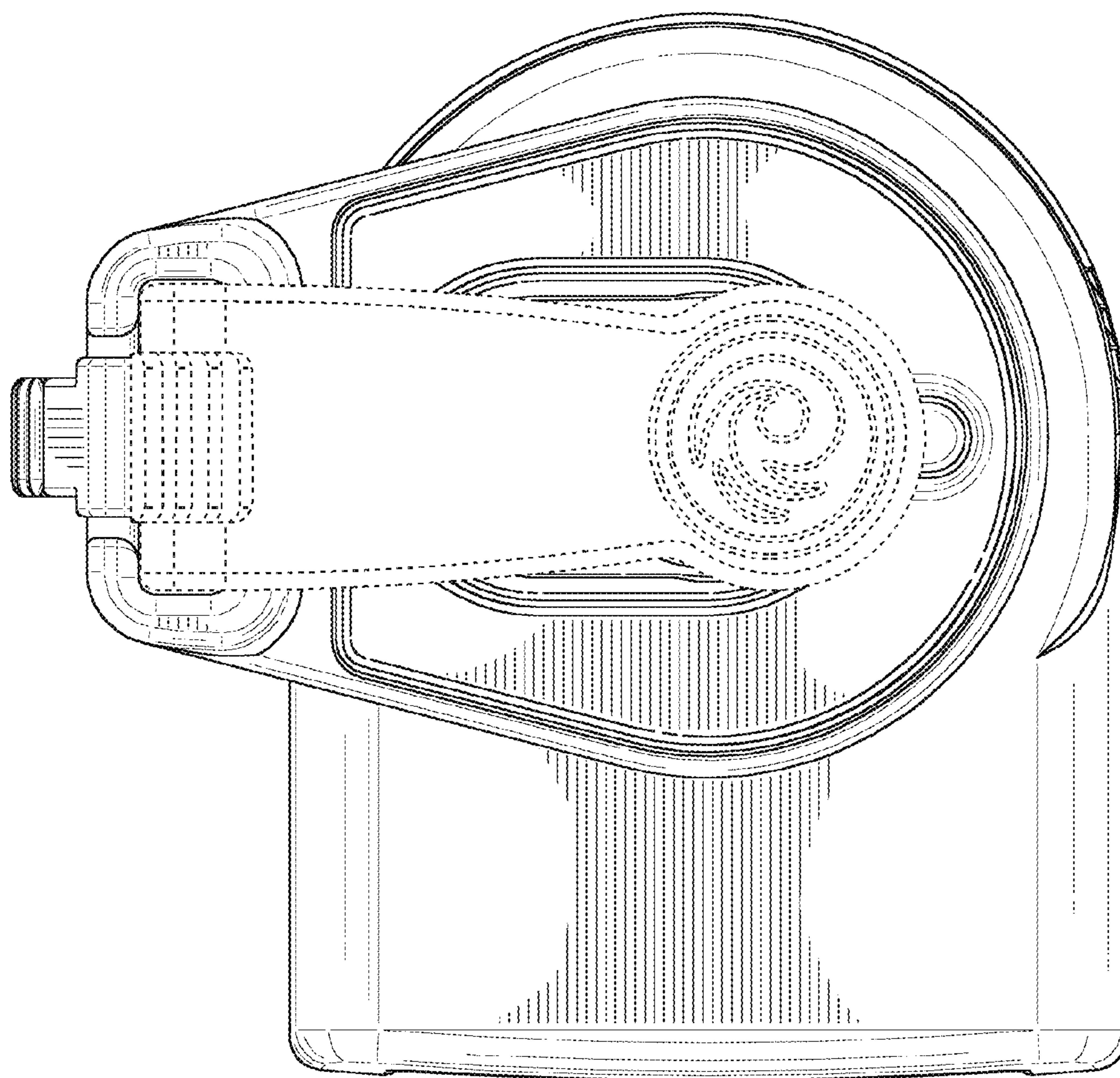


FIG. 4

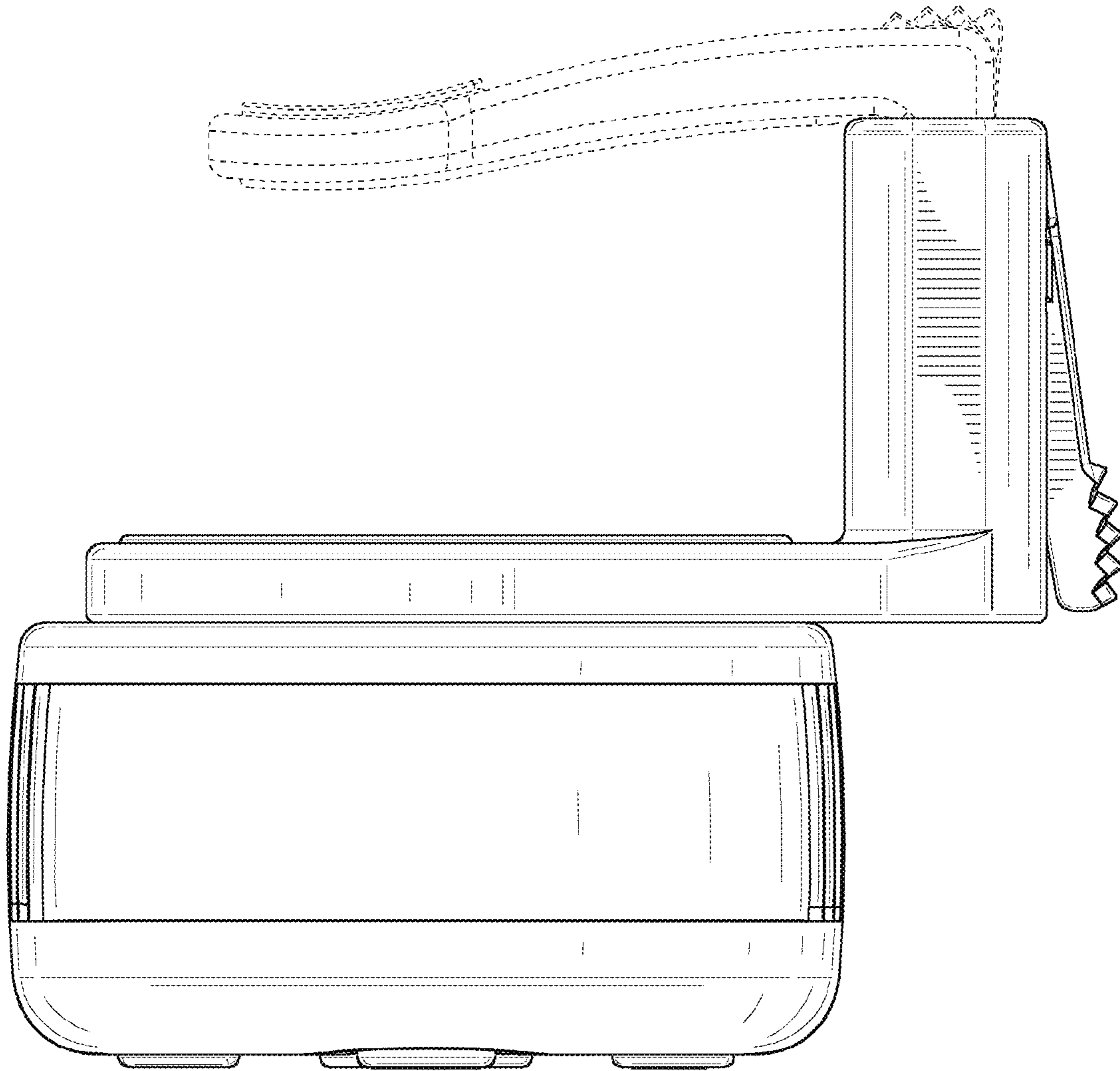


FIG. 5

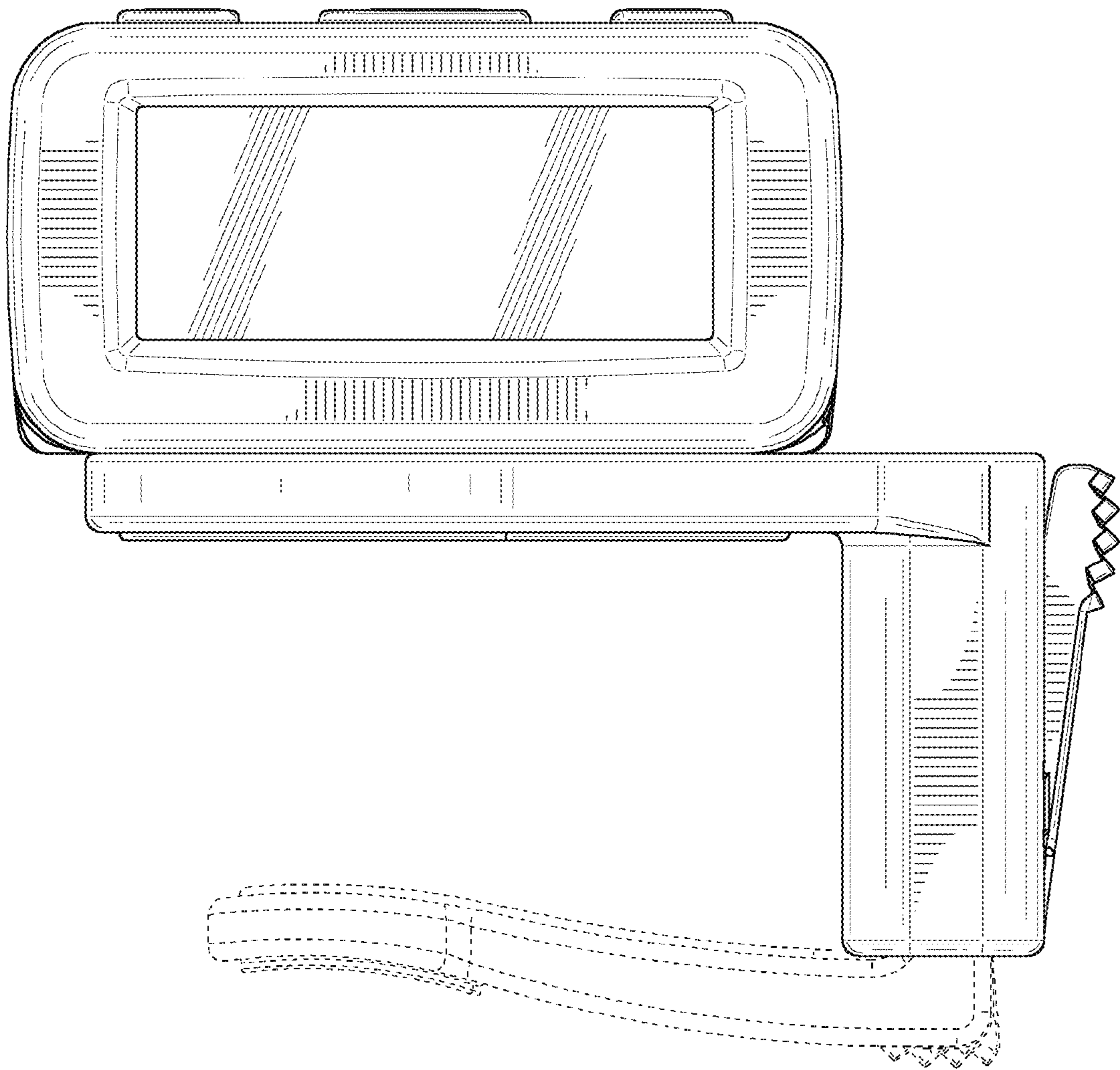


FIG. 6

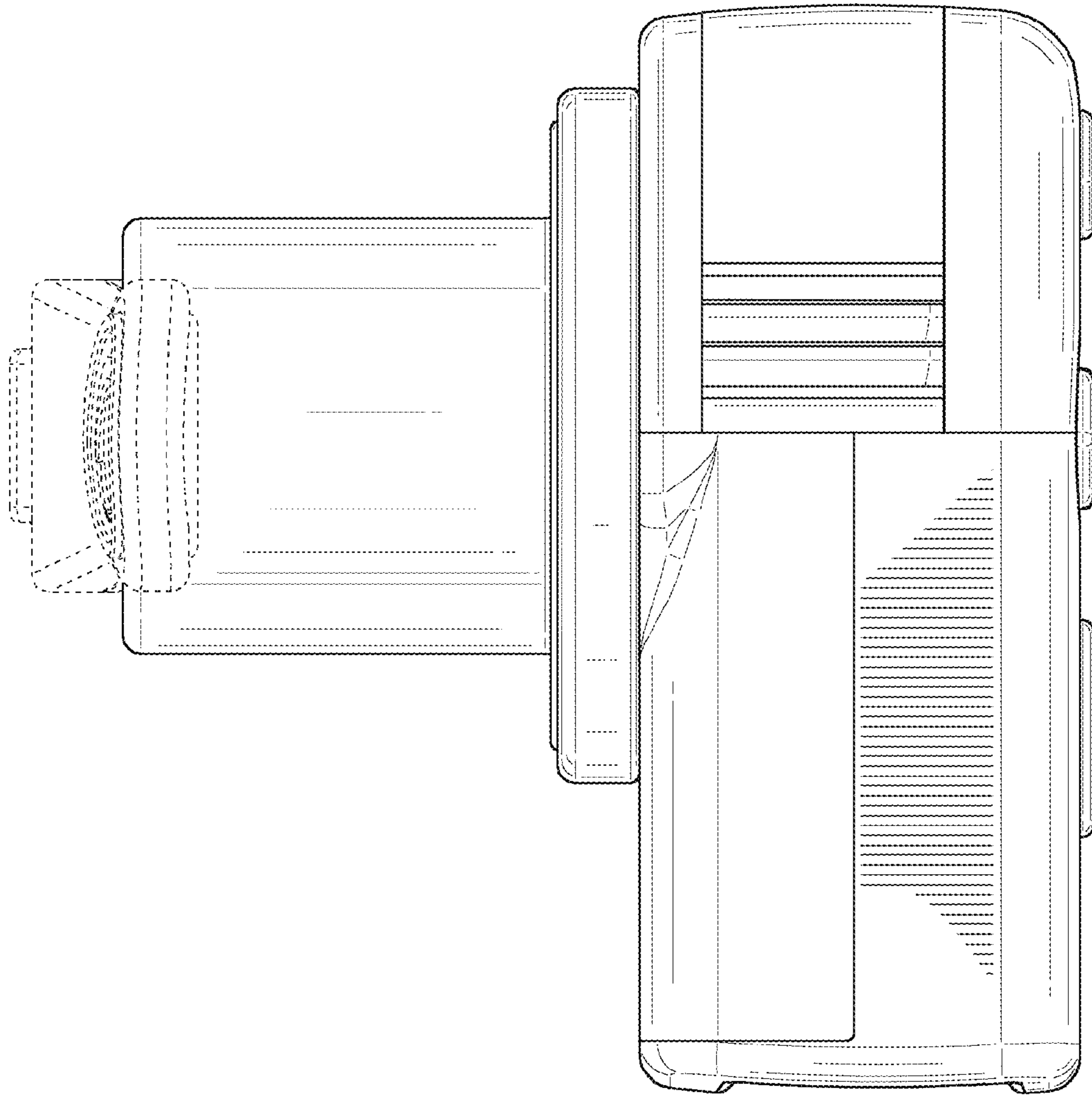


FIG. 7



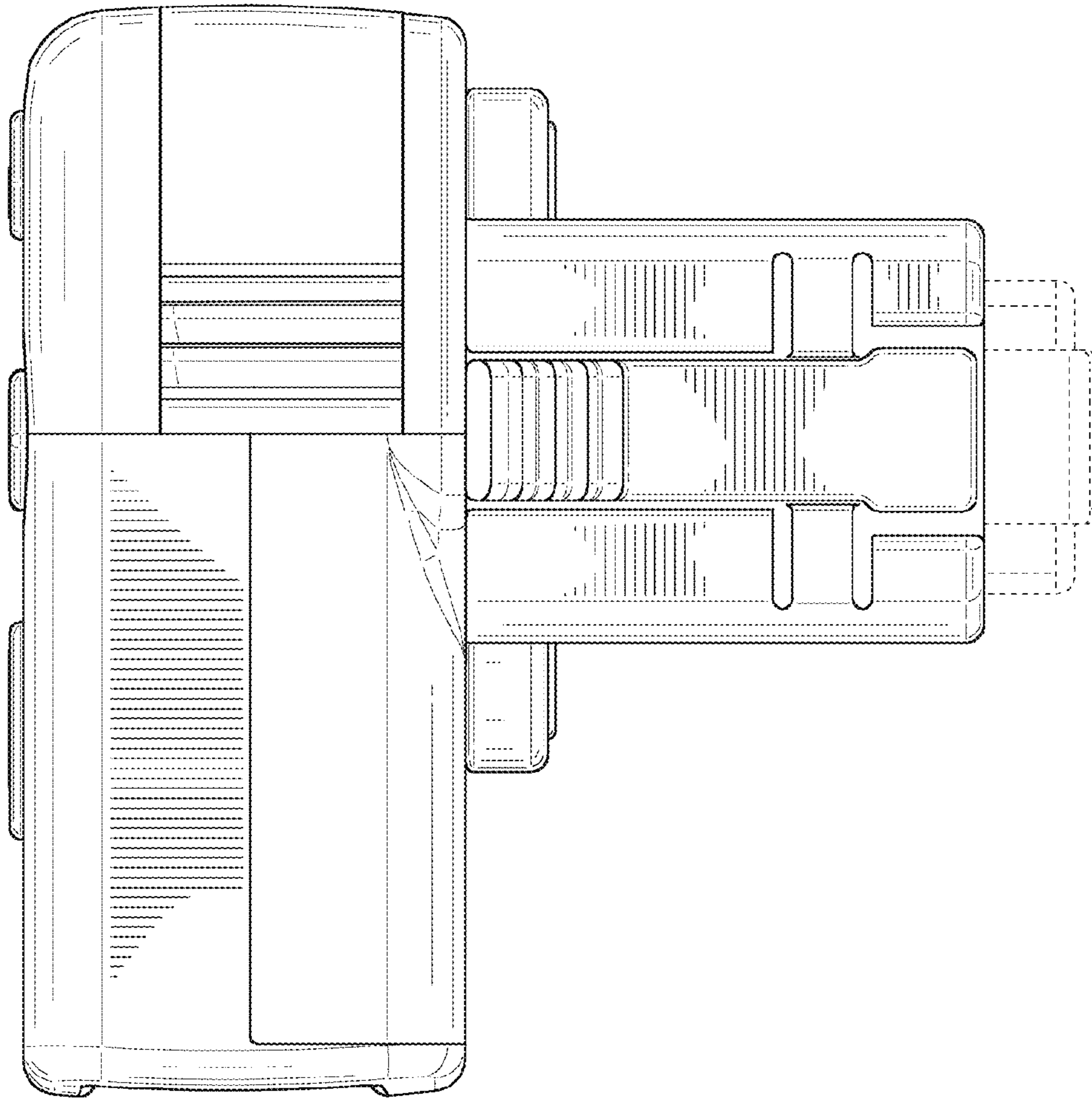


FIG. 8