



US00D703261S

(12) **United States Design Patent**  
**Hudson**

(10) **Patent No.:** **US D703,261 S**

(45) **Date of Patent:** **\*\* Apr. 22, 2014**

(54) **SNARE THROW**

(75) Inventor: **Nick Hudson**, Leicestershire (GB)

(73) Assignee: **Marshall Amplification PLC** (GB)

(\*\*) Term: **14 Years**

(21) Appl. No.: **29/392,722**

(22) Filed: **May 25, 2011**

(51) **LOC (10) Cl.** ..... **17-04**

(52) **U.S. Cl.**

USPC ..... **D17/22**

(58) **Field of Classification Search**

USPC ..... D17/22, 99; 84/411 R, 415, 146, 147

See application file for complete search history.

(56) **References Cited**

**U.S. PATENT DOCUMENTS**

4,158,980	A *	6/1979	Gauger	84/421
D316,423	S *	4/1991	Montineri	D17/22
5,377,576	A *	1/1995	Good et al.	84/411 R
5,520,083	A *	5/1996	Falkner, Jr.	84/421
5,616,875	A *	4/1997	Lombardi	84/415
6,093,877	A *	7/2000	Nickel	84/415
6,534,698	B2 *	3/2003	Hoshino	84/415
6,846,978	B2 *	1/2005	Dorfman et al.	84/415
D564,012	S *	3/2008	Montineri	D17/22
7,365,256	B2 *	4/2008	Takegawa	84/415
D580,477	S *	11/2008	Sikra et al.	D17/22
7,498,501	B1 *	3/2009	Hsieh	84/415
7,745,712	B2 *	6/2010	Dunnett	84/415
7,977,558	B2 *	7/2011	Nakata et al.	84/413
8,017,846	B2 *	9/2011	Miyajima	84/415
8,163,988	B2 *	4/2012	Holl et al.	84/415

**OTHER PUBLICATIONS**

U.S. Appl. No. 29/392,724, filed May 25, 2011.

U.S. Appl. No. 29/392,725, filed May 25, 2011.

U.S. Trademark Registration No. 2,150,216, registered Apr. 14, 1998.

Early 1970s Camco Aristocrat Snare Drum. Retrieved from the Internet: <URL: [http://www.classicvintagedrums.com/index.php?main\\_page=product\\_info&cPath=66\\_111&products\\_id=627](http://www.classicvintagedrums.com/index.php?main_page=product_info&cPath=66_111&products_id=627)> Publicly available before May 25, 2010.

Dixon Wooden Snare Drum. Retrieved from the Internet: <URL: <http://www.italmelodie.com/?section=item&itemID=148>>. Publicly available before May 25, 2010.

Mapex Drum. Retrieved from the Internet: <URL: <http://www.musicgearreview.com/article-display/1031.html>>. Publicly available before May 25, 2010.

(Continued)

*Primary Examiner* — Ian Simmons

*Assistant Examiner* — Carissa C Fitts

(74) *Attorney, Agent, or Firm* — Marshall, Gerstein & Borun LLP

(57) **CLAIM**

The ornamental design for a snare throw, as shown and described.

**DESCRIPTION**

FIG. 1. is a front and left side perspective view showing our new design for a snare throw;

FIG. 2 is a rear and left side perspective view of the snare throw of FIG. 1;

FIG. 3 is a left side perspective view of the snare throw of FIG. 1;

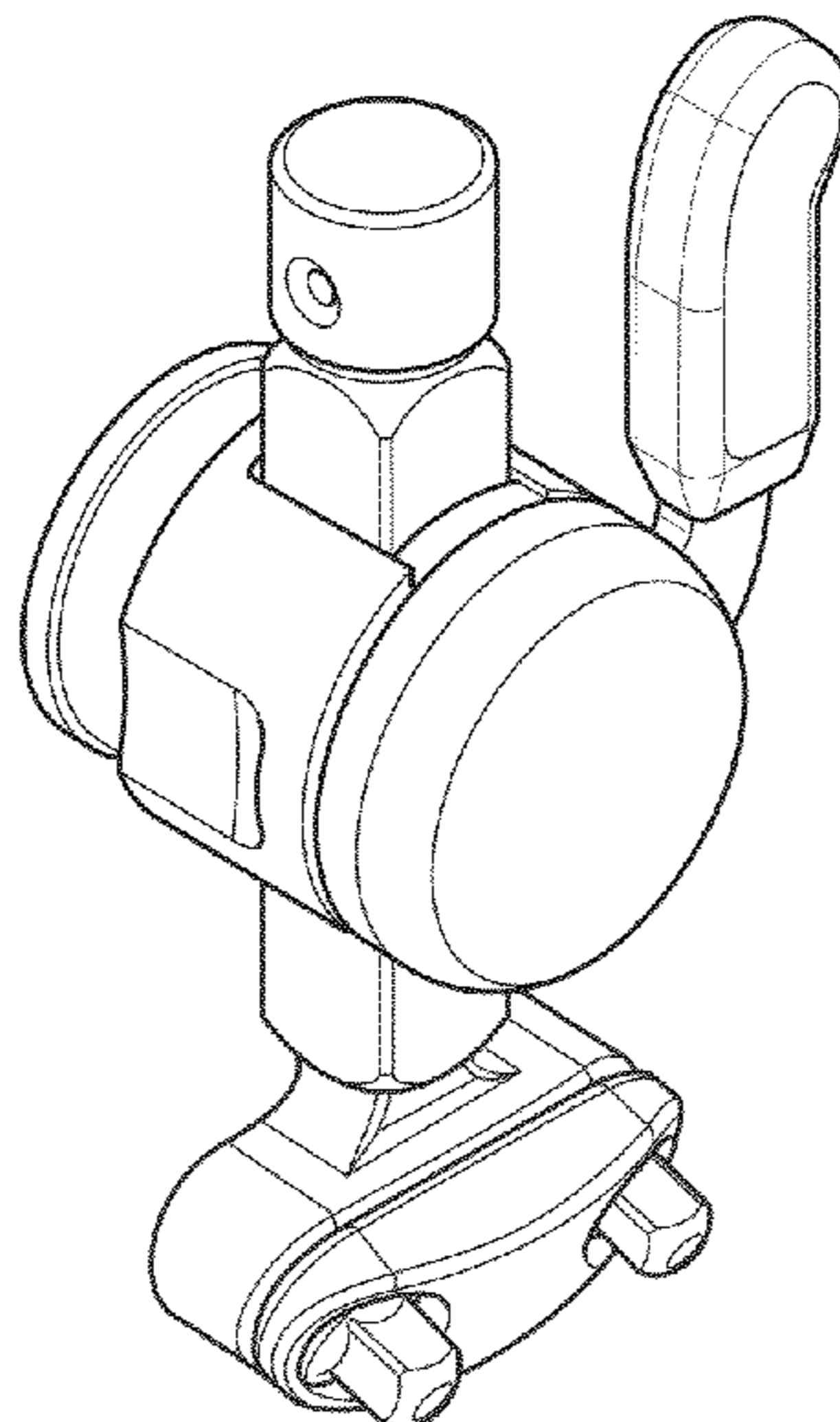
FIG. 4 is a front view of the snare throw of FIG. 1;

FIG. 5 is a top plan view of the snare throw of FIG. 1;

FIG. 6 is a bottom plan view of the snare throw of FIG. 1; and,

FIG. 7 is a right side view of the snare throw of FIG. 1.

**1 Claim, 3 Drawing Sheets**



(56)

**References Cited**

OTHER PUBLICATIONS

Premier Genista Snare Drum. Retrieved from the Internet: <URL: <http://www.vintageolympic.co.uk/images/mysteries/Rare%20BSP%20Genista%20snare.jpg>>. Publicly available before May 25, 2010.  
DW Drums Collector's Series. Retrieved from the Internet: <URL: <http://www.dwdrums.com/drums/collectors/>>. Publicly available before May 25, 2010.

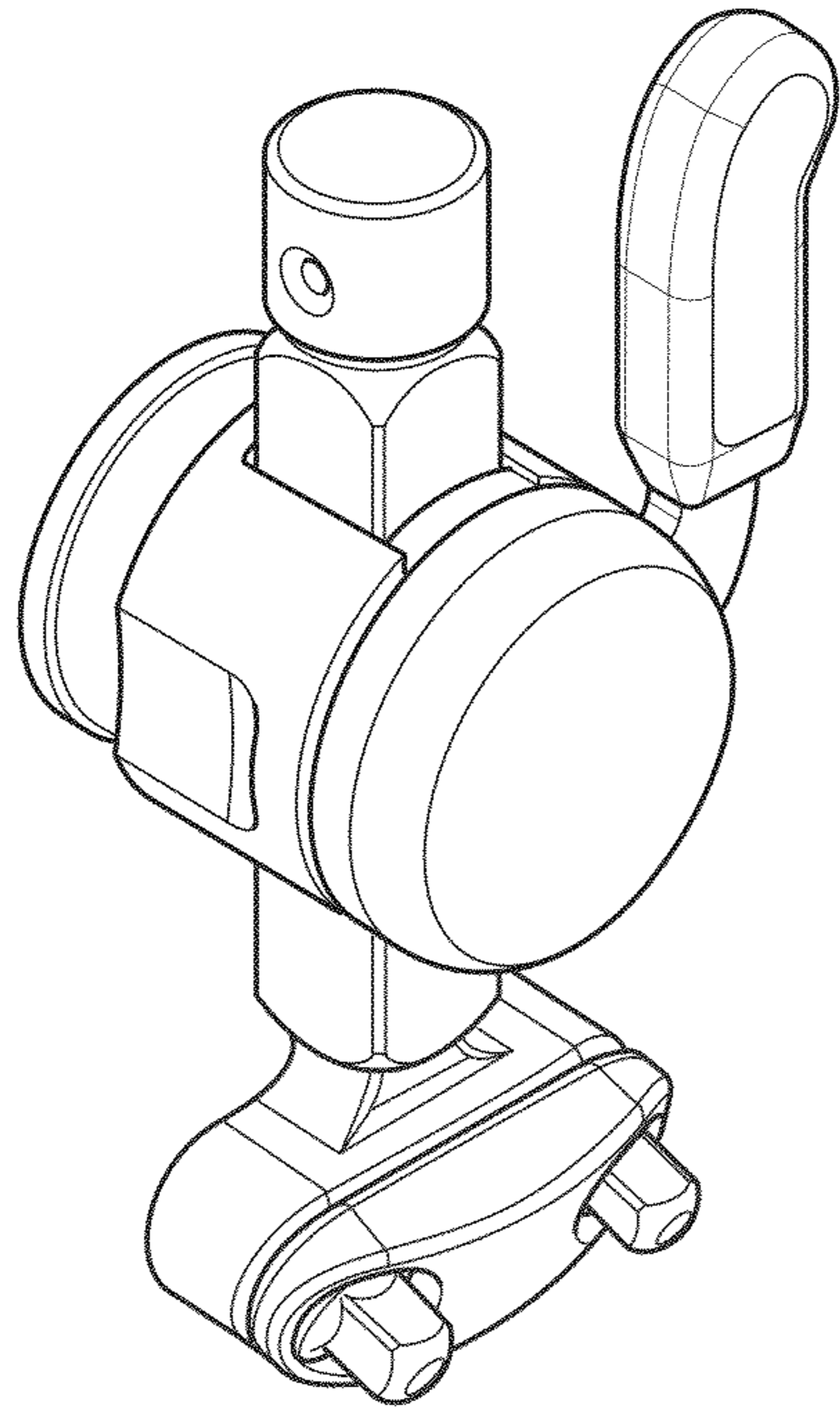
File history for U.S. Trademark registration No. 2,150,216, publicly available before Oct. 16, 2010.

U.S. Appl. No. 29/392,724, filed May 25, 2011. Hudson.

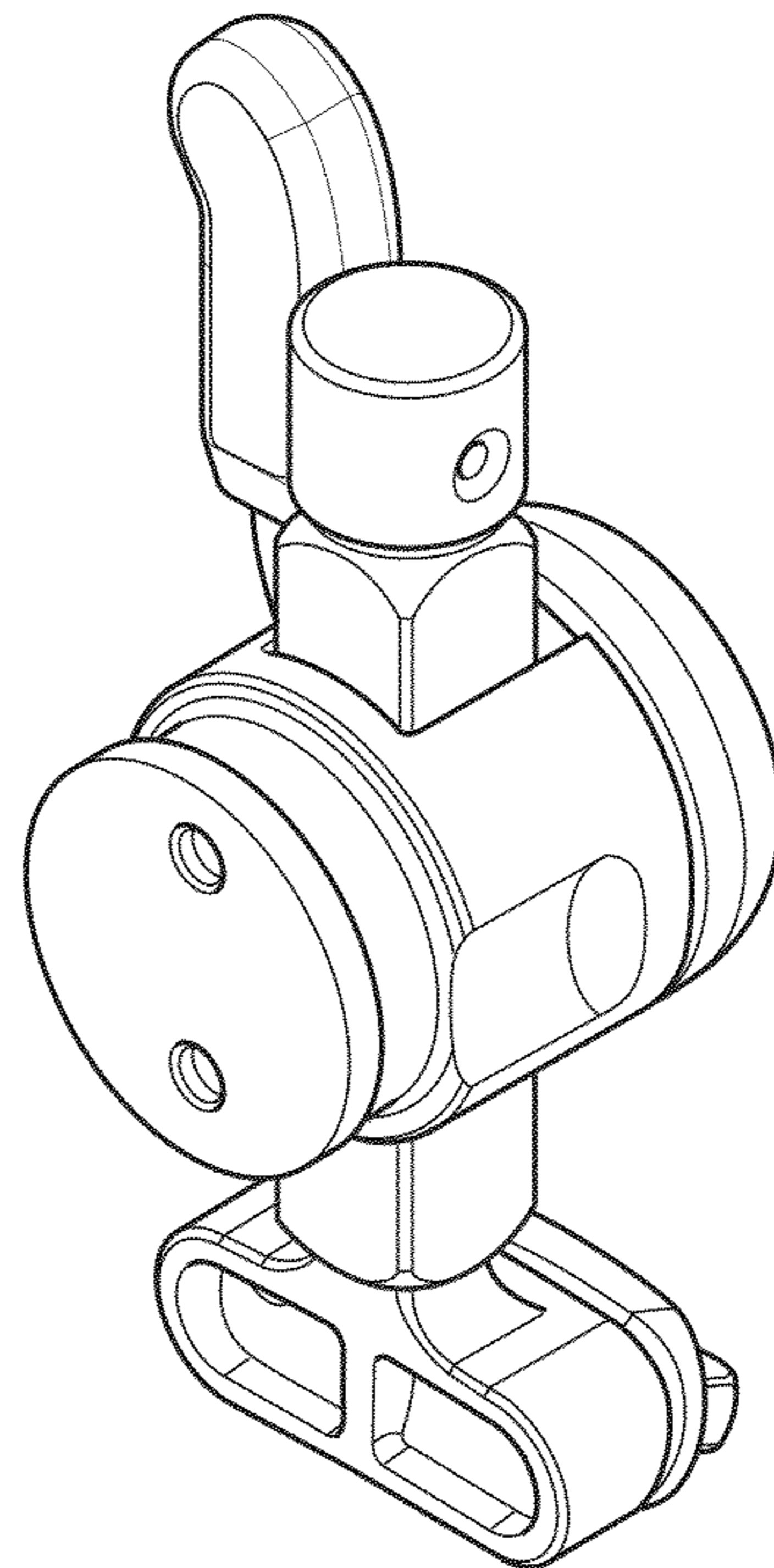
U.S. Appl. No. 29/392,725, filed May 25, 2011. Hudson.

\* cited by examiner

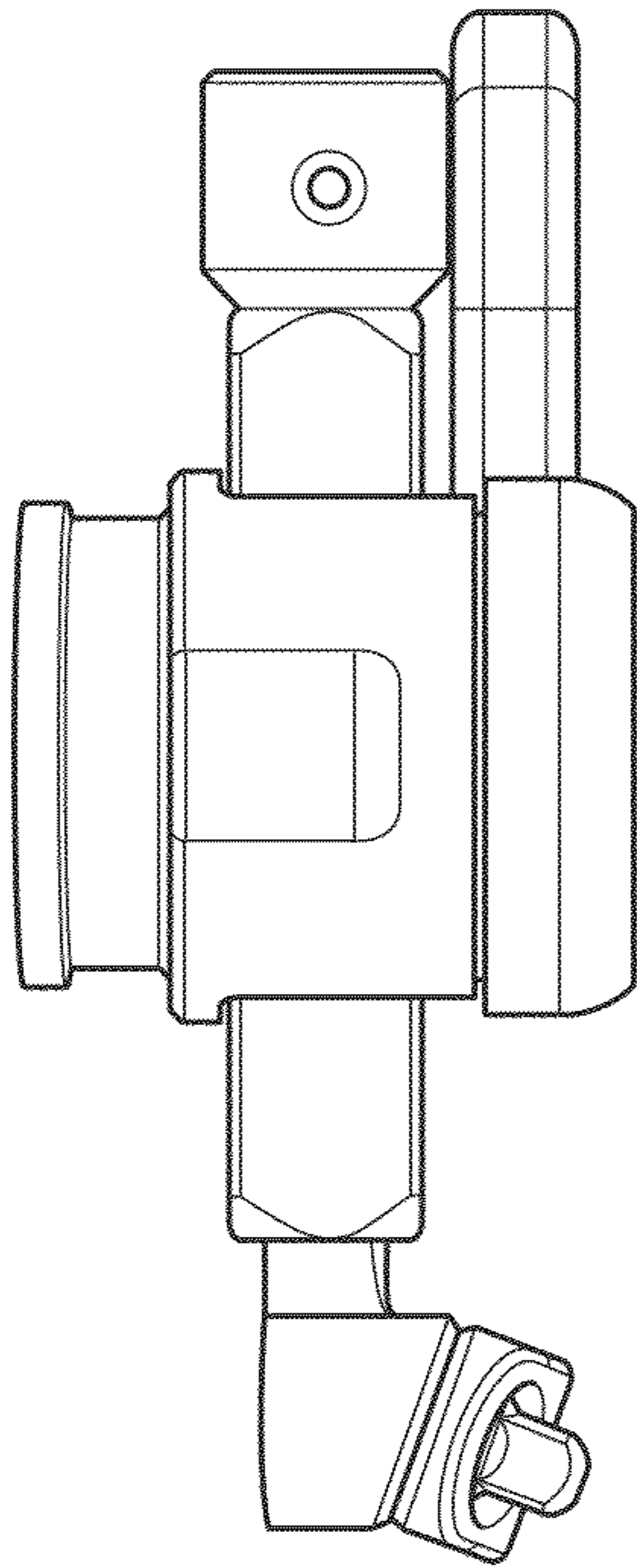
*Fig. 1*



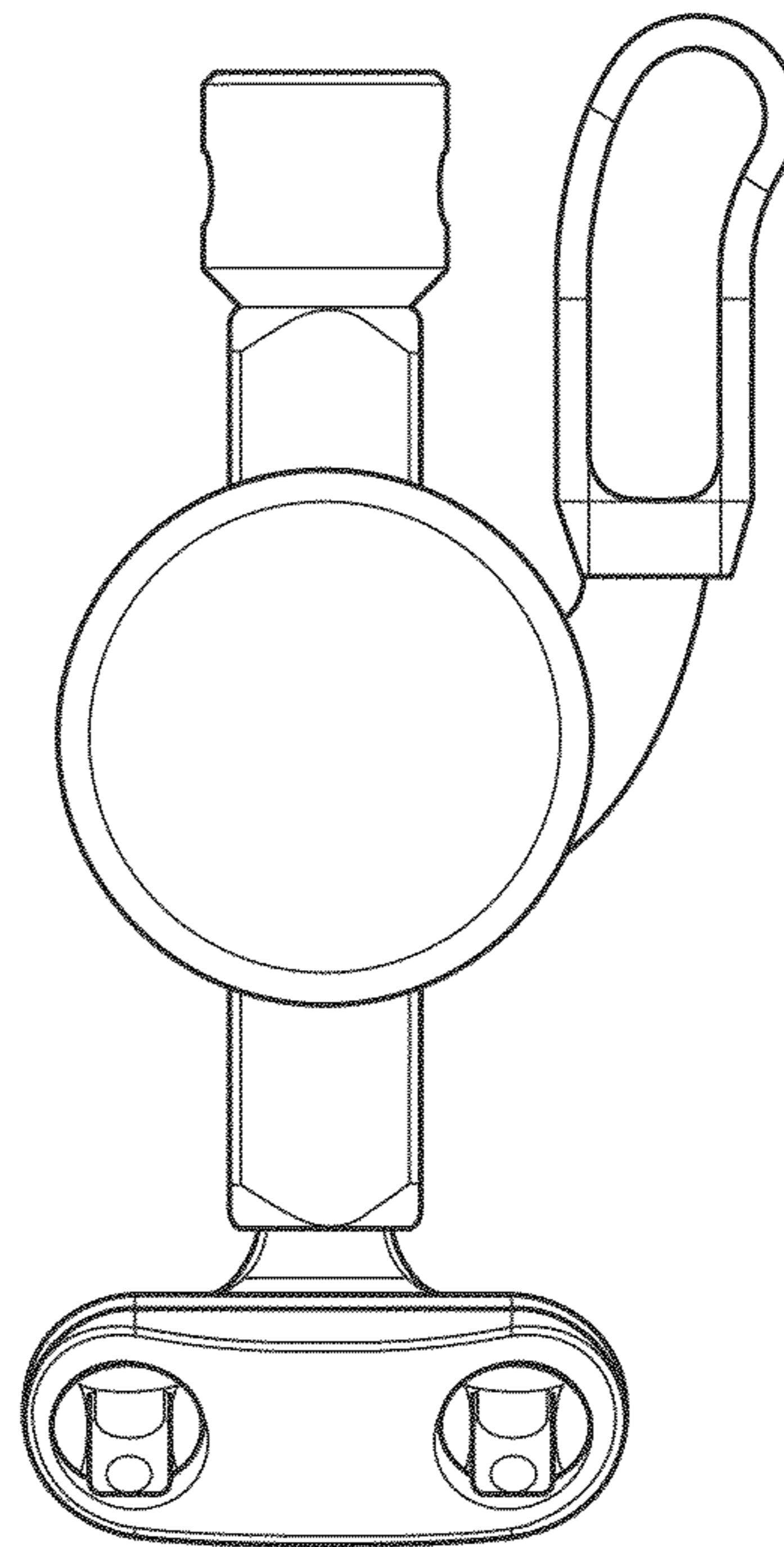
*Fig. 2*



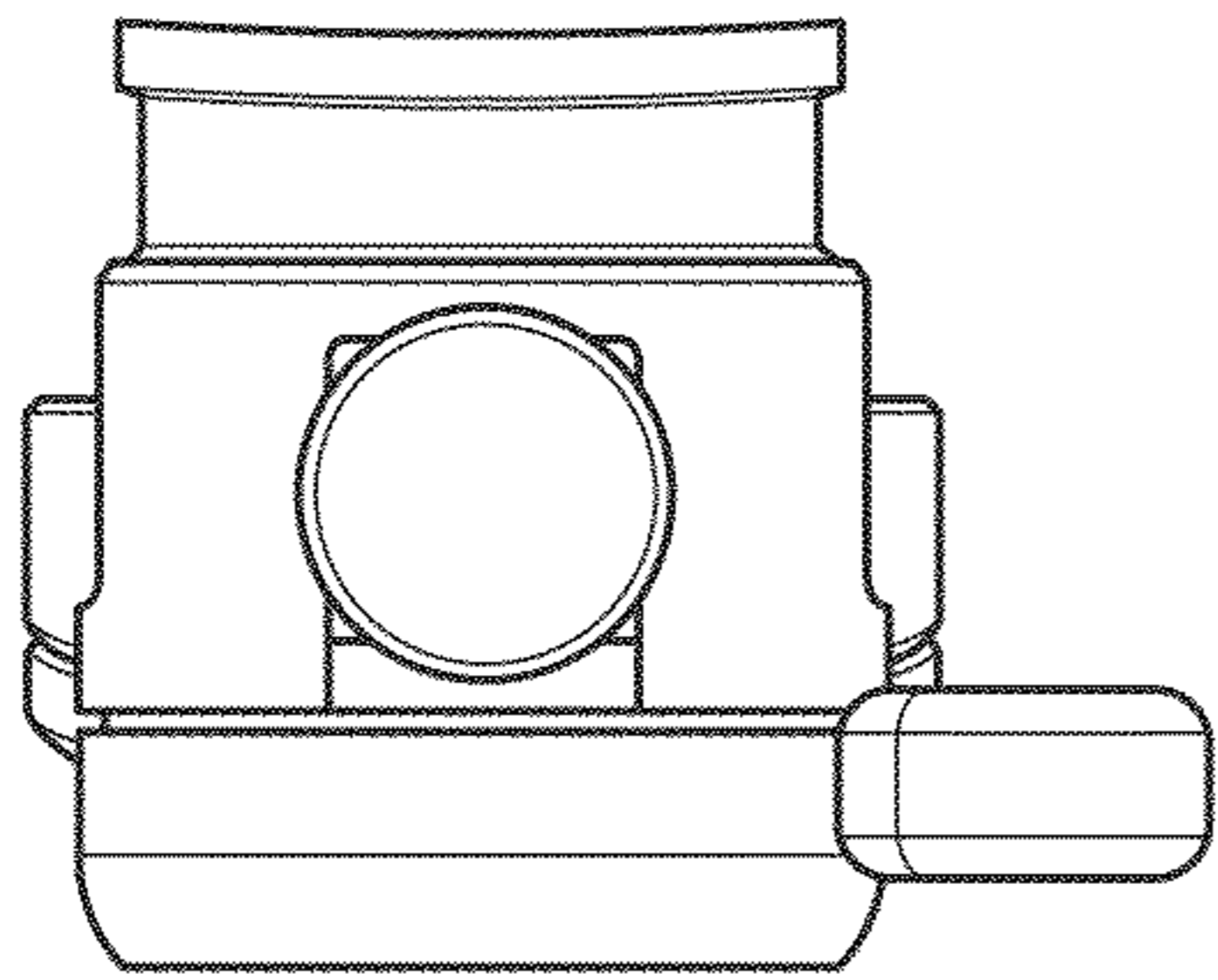
**Fig. 3**



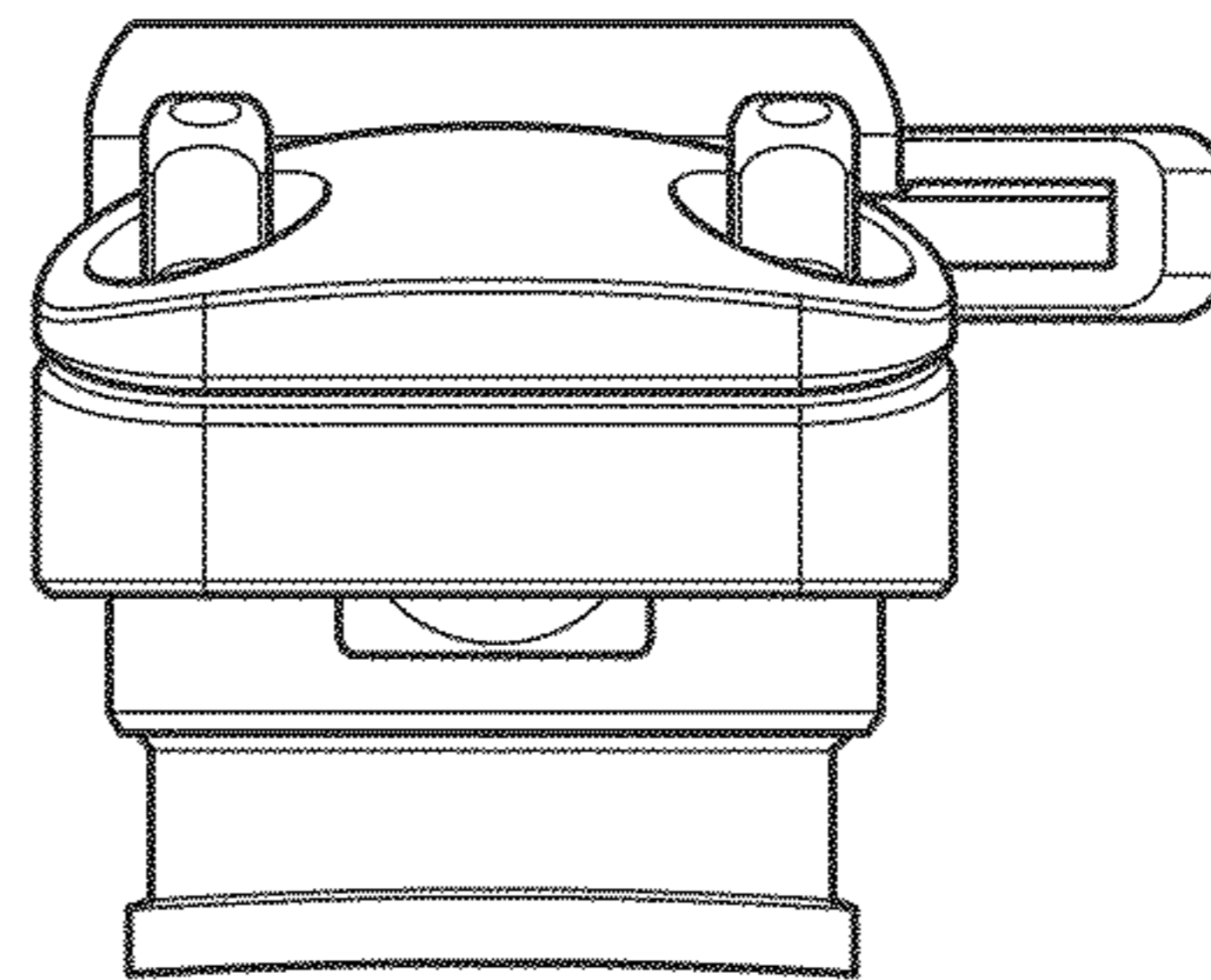
**Fig. 4**



*Fig. 5*



*Fig. 6*



*Fig. 7*

