



US00D703258S

(12) **United States Design Patent**  
**Measom et al.**

(10) **Patent No.:** **US D703,258 S**

(45) **Date of Patent:** **\*\* Apr. 22, 2014**

(54) **PORTABLE SCREEN**

(75) Inventors: **Ty Measom**, Logan, UT (US); **Brett Bennett**, Mantua, UT (US)

(73) Assignee: **Peak Trades LLC**, Hyde Park, UT (US)

(\*\*) Term: **14 Years**

(21) Appl. No.: **29/422,019**

(22) Filed: **May 15, 2012**

(51) **LOC (10) Cl.** ..... **16-05**

(52) **U.S. Cl.**  
USPC ..... **D16/241**

(58) **Field of Classification Search**  
USPC ..... D16/221, 230, 232, 235, 237, 241;  
D20/10, 17, 19, 21, 27, 28, 40, 42, 62;  
D6/300-302; 348/744, 766;  
D29/101.2, 109; D14/126, 366,  
D14/374-375, 388

See application file for complete search history.

(56) **References Cited**

**U.S. PATENT DOCUMENTS**

2,611,427	A *	9/1952	Du Mais et al.	160/329
D503,390	S *	3/2005	Sham et al.	D14/126
D525,603	S *	7/2006	Williams	D14/126
D554,175	S *	10/2007	Wiener	D16/241
D558,814	S *	1/2008	Wiener	D16/241

8,024,881	B2 *	9/2011	Redmon	40/610
8,243,366	B1 *	8/2012	Deutsch	359/449
D674,199	S *	1/2013	Noel	D6/300
D684,209	S *	6/2013	Measom et al.	D16/241
D685,837	S *	7/2013	Measom et al.	D16/241

\* cited by examiner

*Primary Examiner* — Susan Bennett Hattan

*Assistant Examiner* — Vy Koenig

(74) *Attorney, Agent, or Firm* — Project CIP; Preston P. Frischknecht

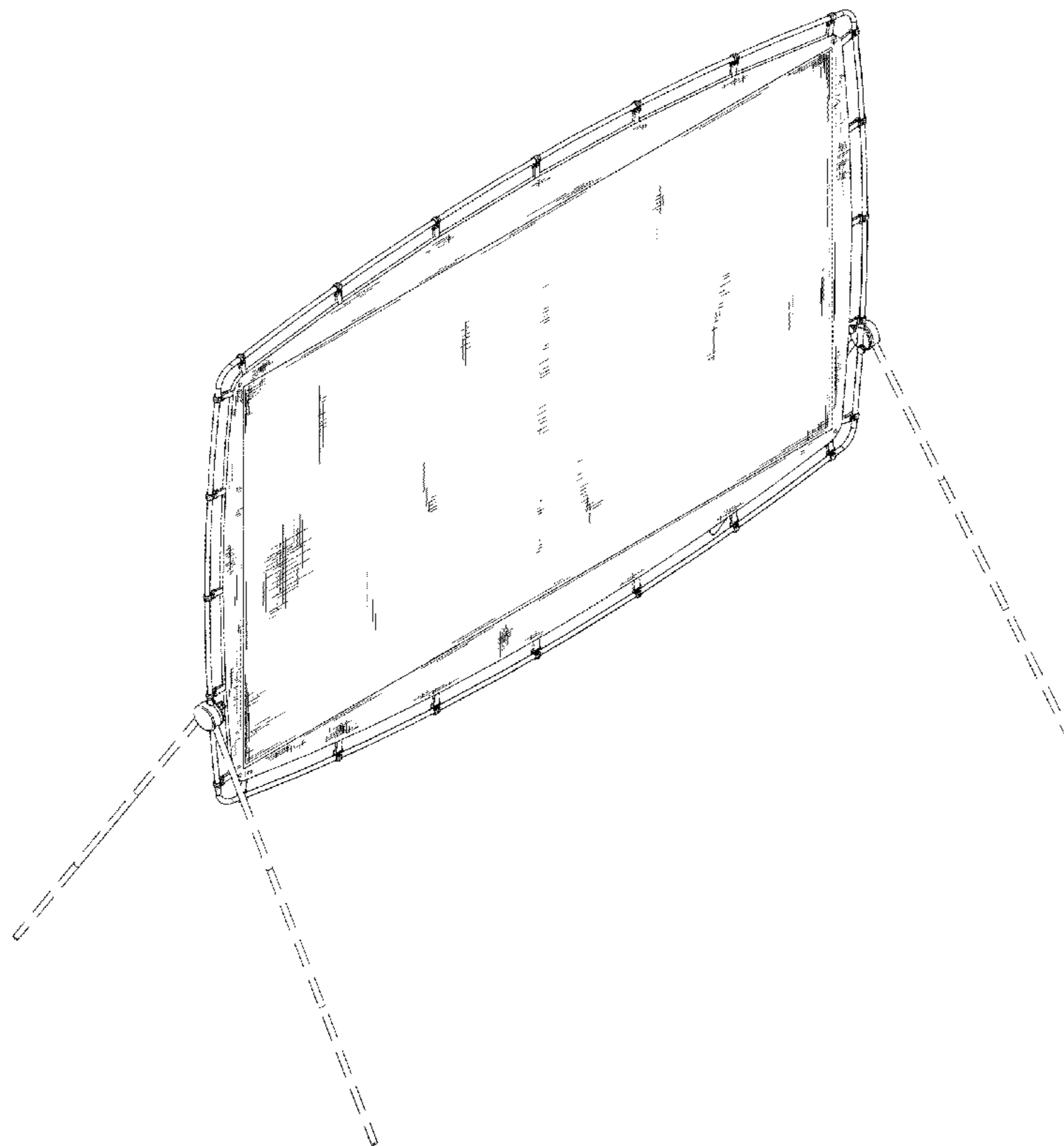
(57) **CLAIM**

The ornamental design for a portable screen, as shown and described.

**DESCRIPTION**

FIG. 1 is a fully assembled front view of our design;  
FIG. 2 is a back view thereof;  
FIG. 3 is a right side thereof;  
FIG. 4 is a left side view thereof;  
FIG. 5 is a top view thereof;  
FIG. 6 is a bottom view thereof;  
FIG. 7 is a back isometric view thereof; and,  
FIG. 8 is a front isometric view showing our design in an alternate partially assembled, exploded configuration.  
The broken lines shown depict leg accessories that are environmental subject matter and form no part of the claimed design.

**1 Claim, 7 Drawing Sheets**



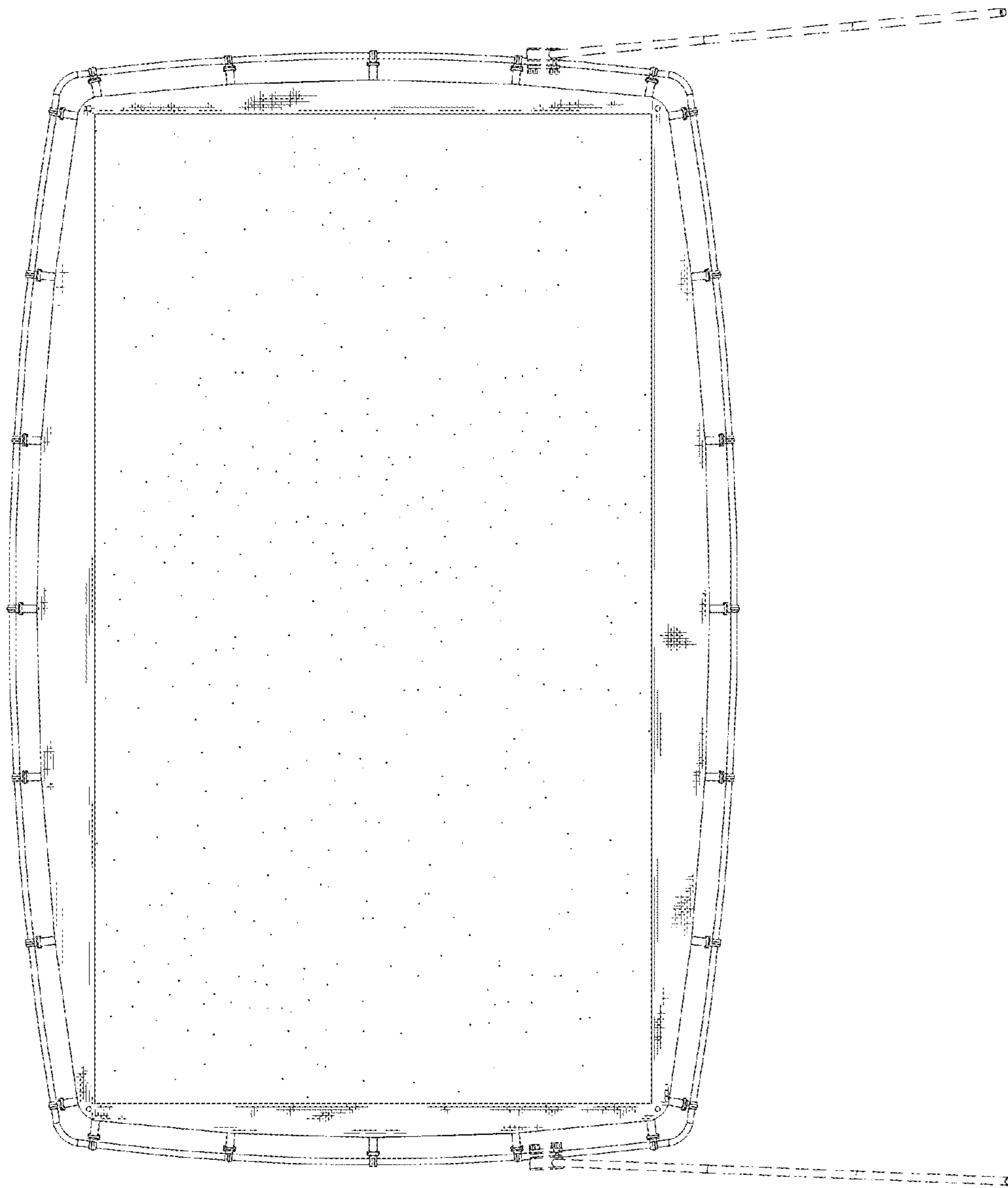


Fig. 1

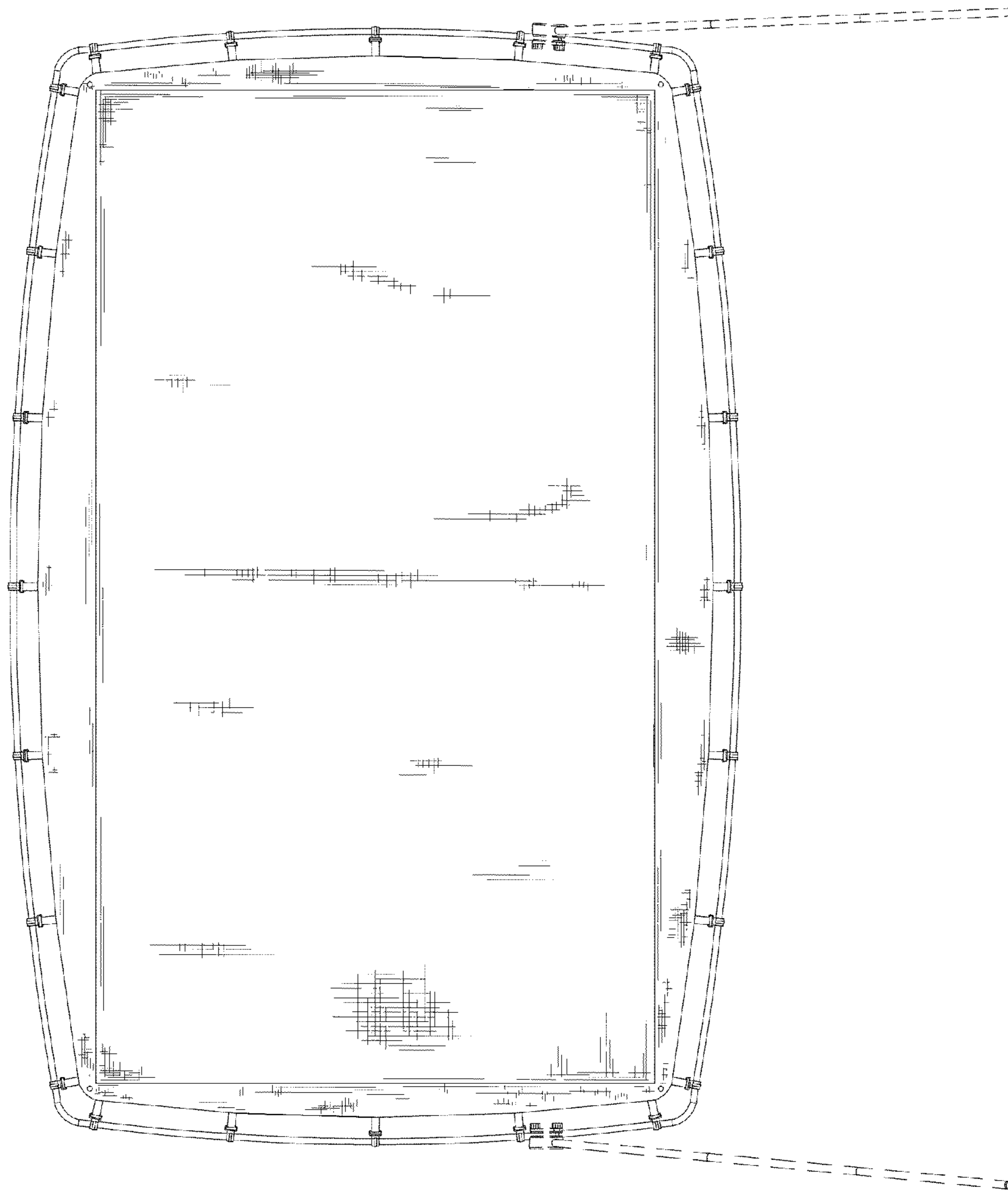


Fig. 2

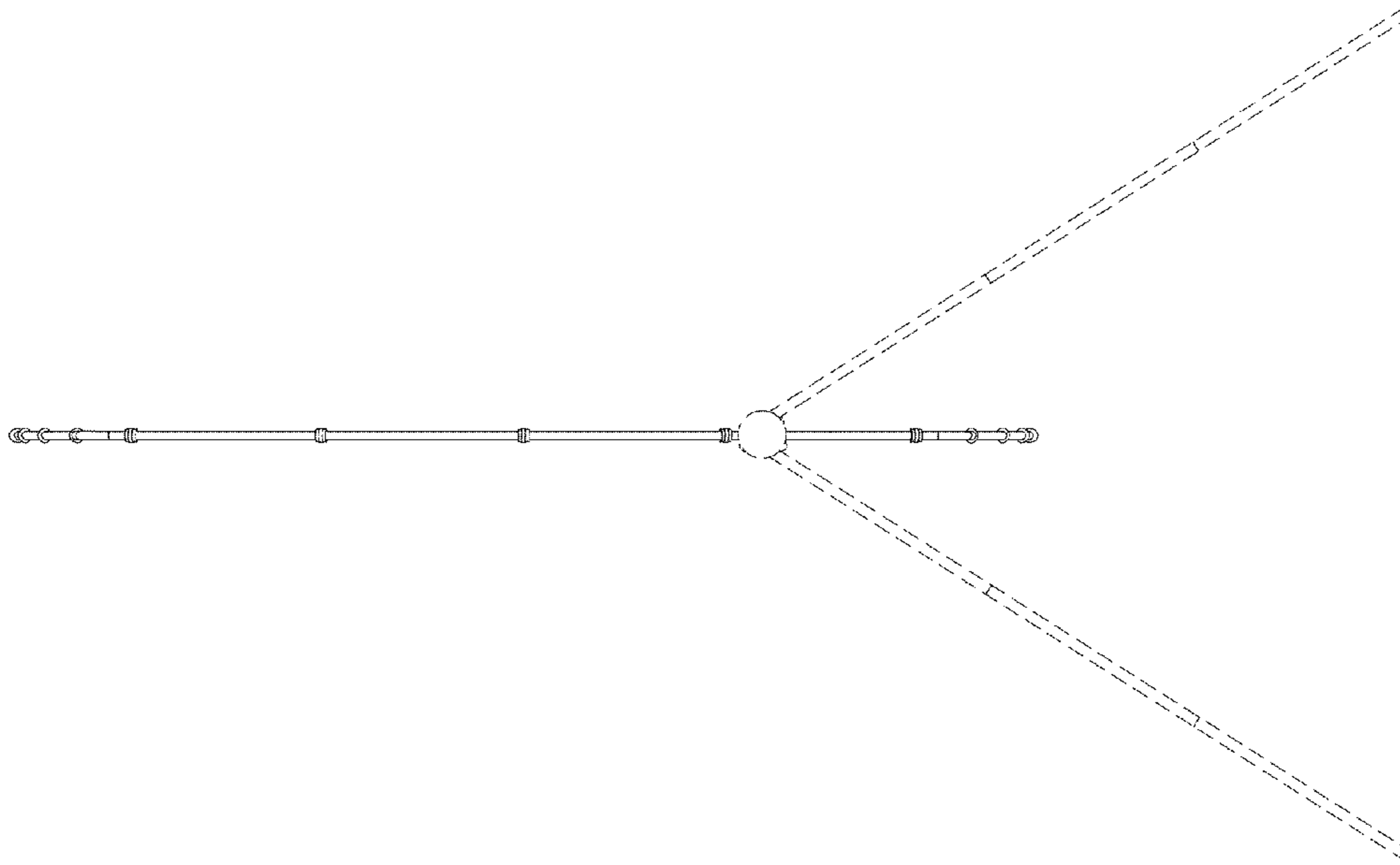


Fig. 4

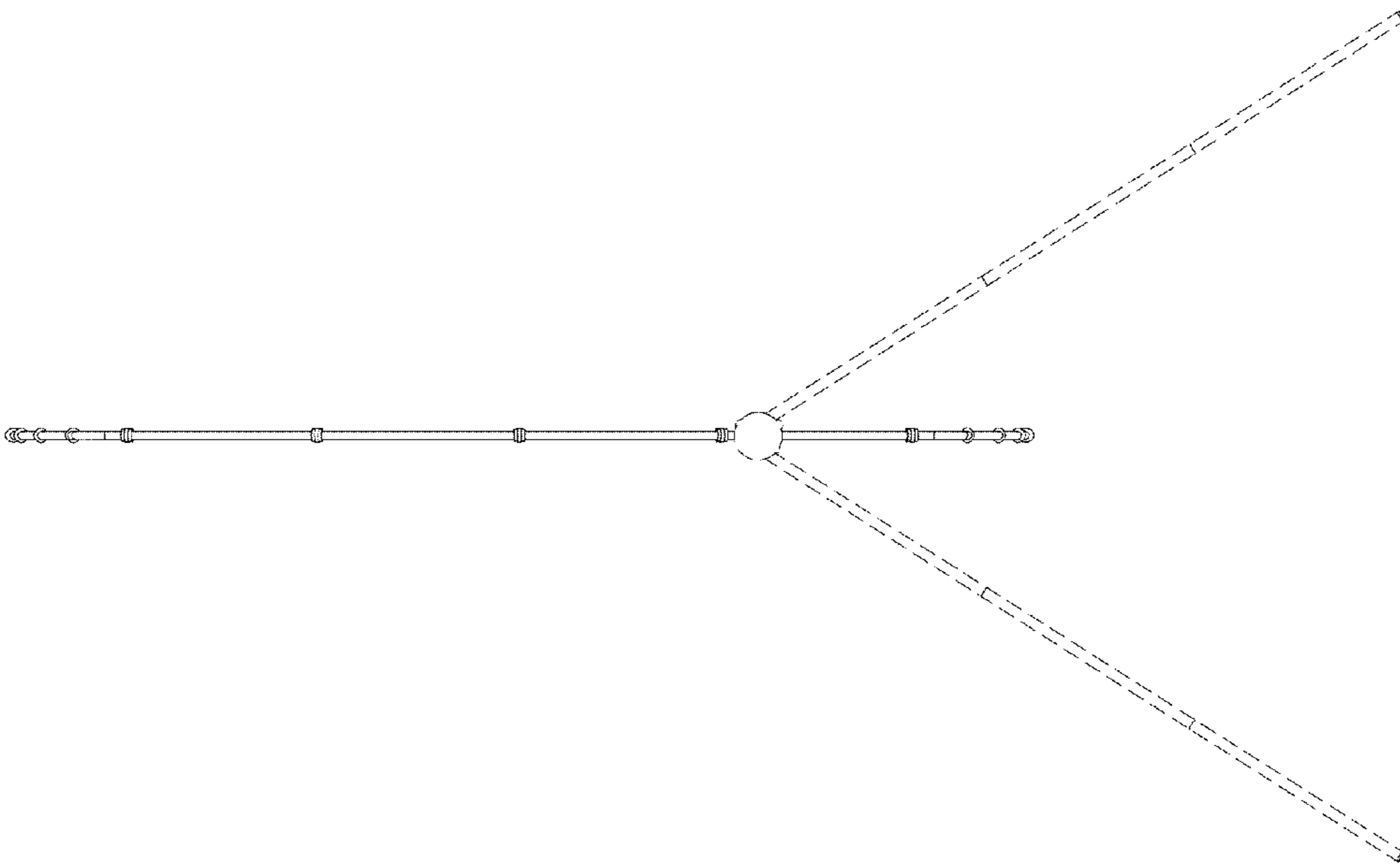


Fig. 3

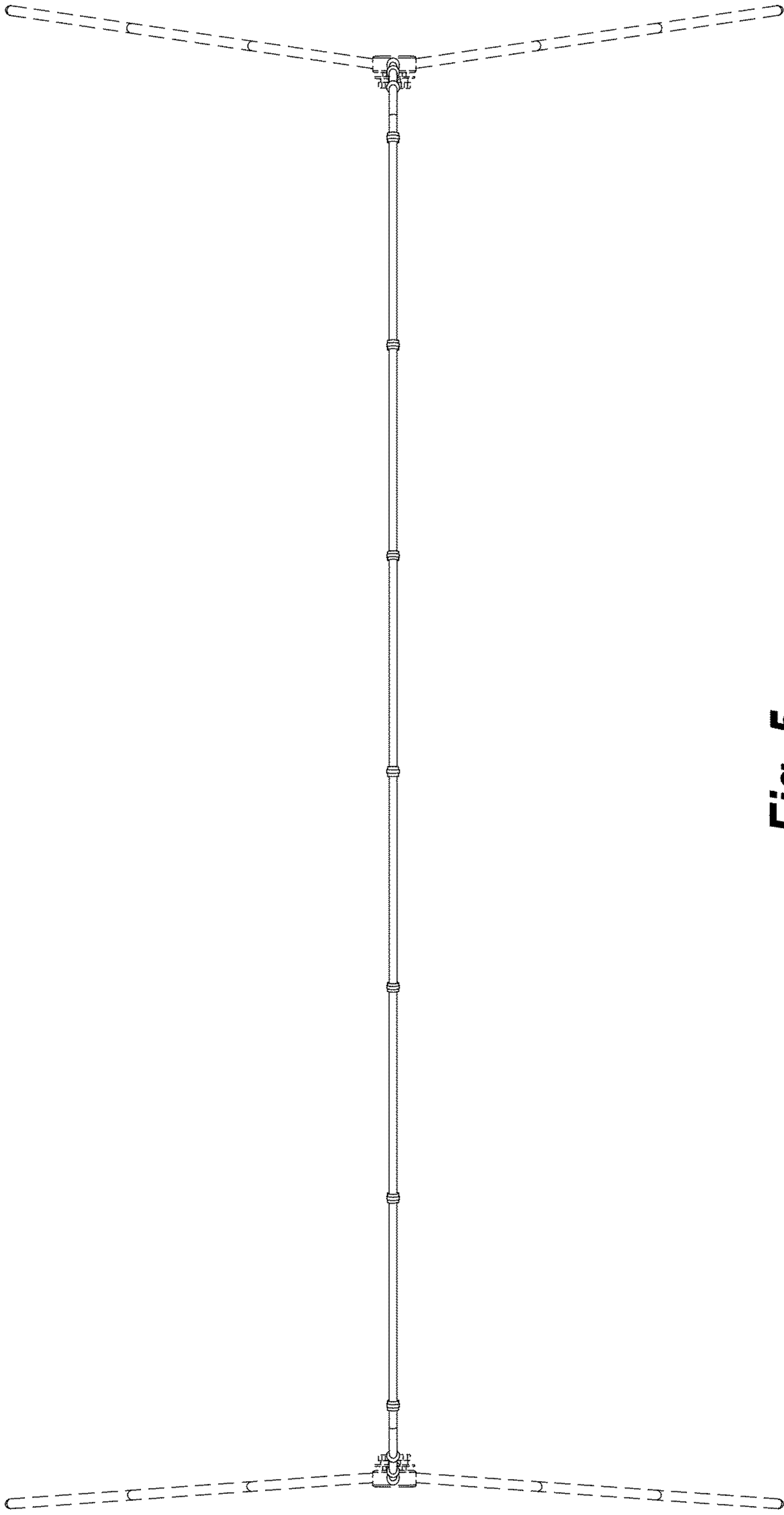


Fig. 5

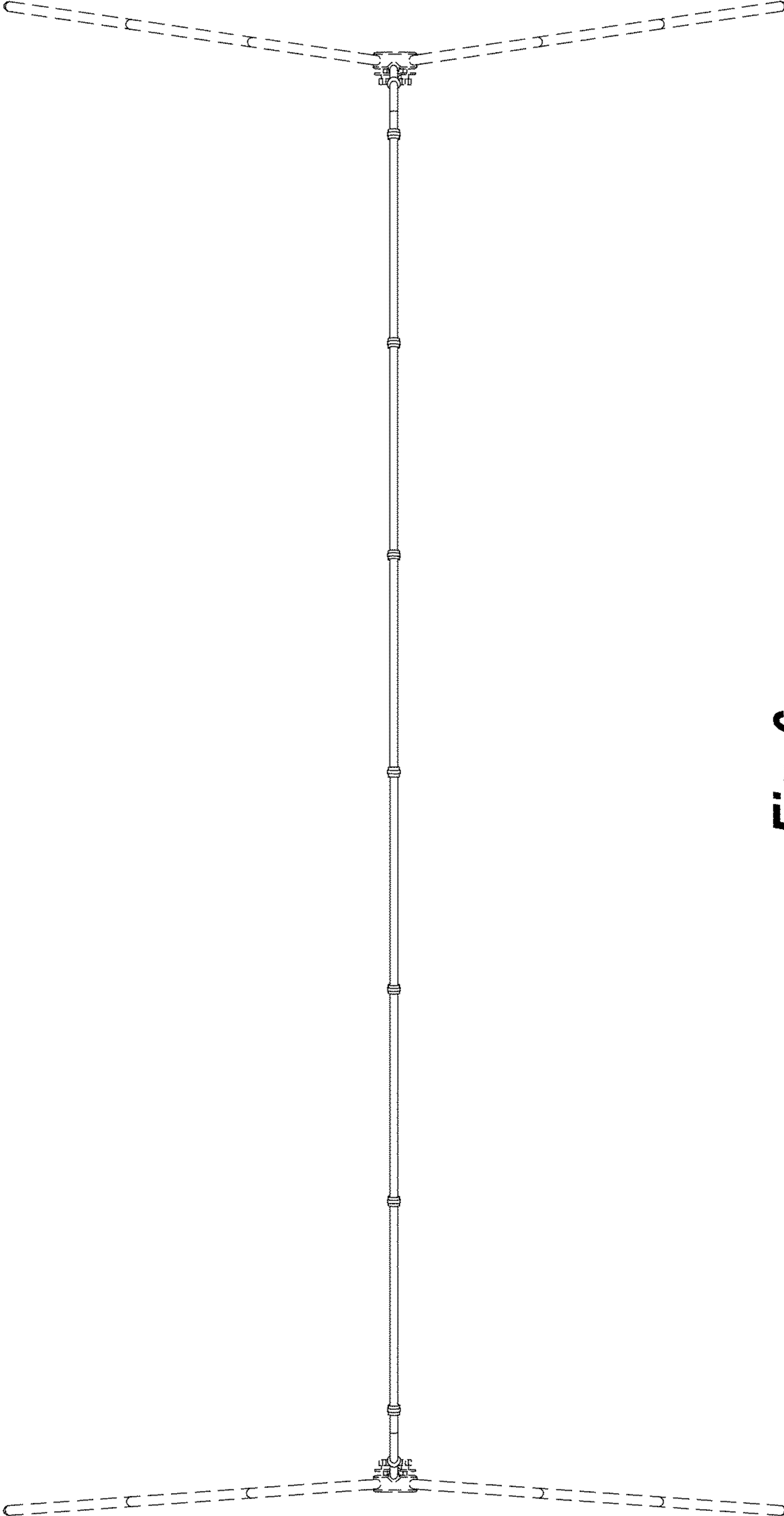
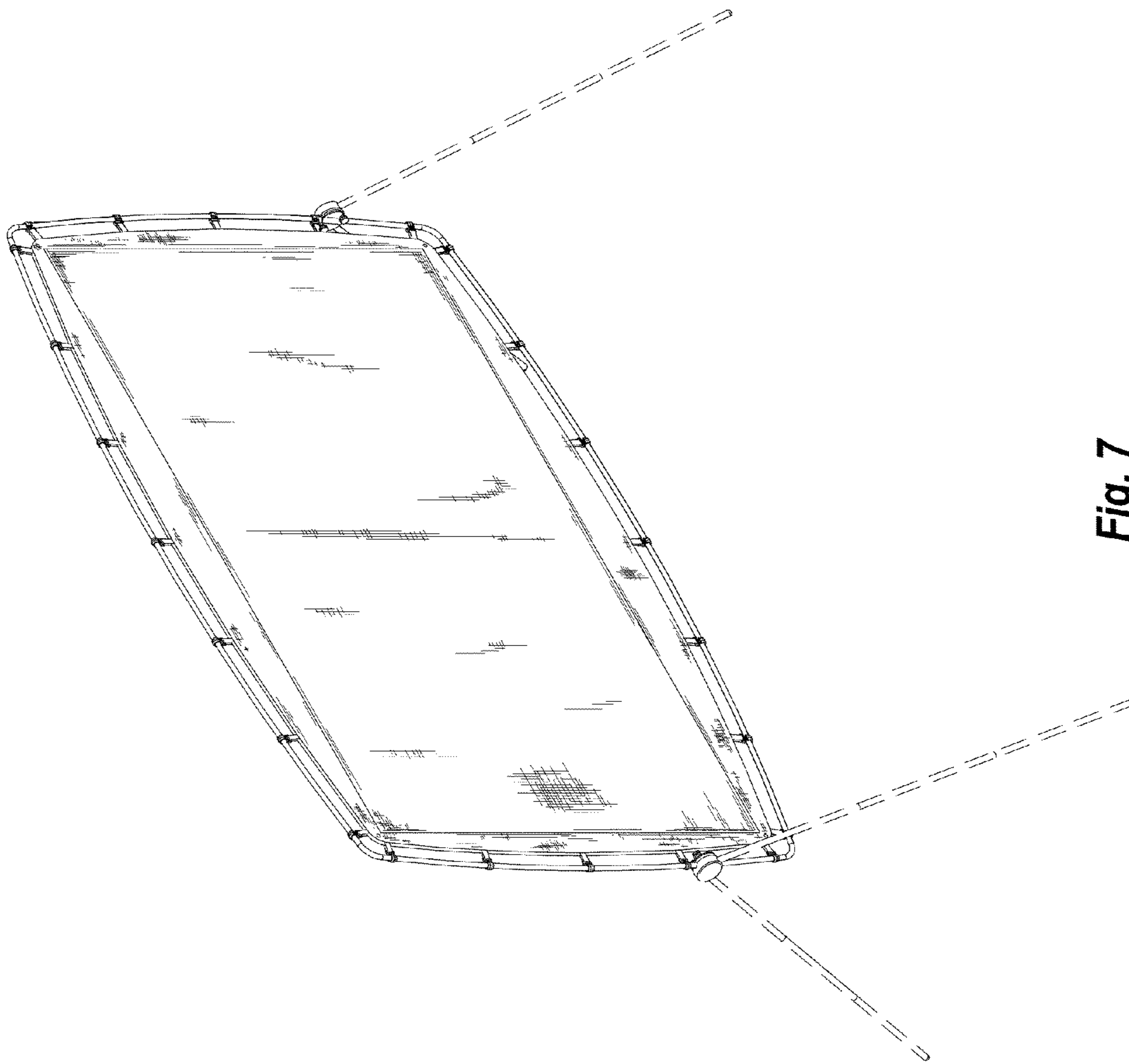


Fig. 6



**Fig. 7**



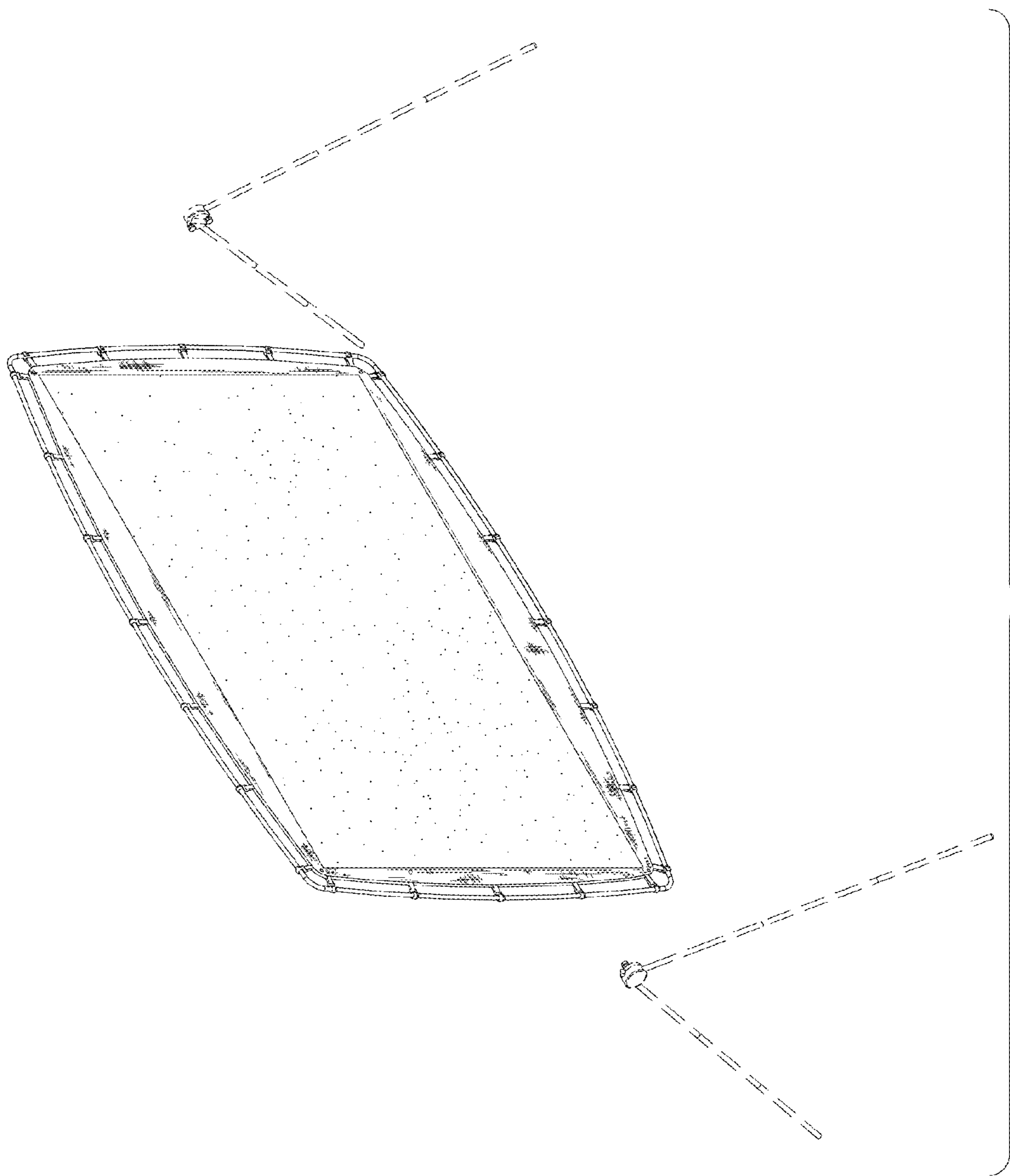


Fig. 8