



US00D703257S

(12) **United States Design Patent**  
**Kim et al.**

(10) **Patent No.:** **US D703,257 S**  
(45) **Date of Patent:** **\*\* Apr. 22, 2014**

(54) **CASE FOR CAMERA**

(71) Applicant: **Samsung Electronics Co., Ltd.,**  
Suwon-Si (KR)

(72) Inventors: **Joon Ha Kim, Seoul (KR); Woohyeok**  
**Jeong, Seoul (KR)**

(73) Assignee: **Samsung Electronics Co., Ltd.,**  
Gyeonggi-do (KR)

(\*\*) Term: **14 Years**

(21) Appl. No.: **29/456,817**

(22) Filed: **Jun. 4, 2013**

(30) **Foreign Application Priority Data**

Dec. 24, 2012 (KR) ..... 30-2012-0062026

(51) **LOC (10) Cl.** ..... **16-05**

(52) **U.S. Cl.**  
USPC ..... **D16/237; D3/267**

(58) **Field of Classification Search**  
USPC ..... D16/237, 239, 240; D14/203.4, 250,  
D14/345, 440, 449; 362/3, 16-18, 182, 552,  
362/612; D3/205, 227, 247, 263, 267, 268,  
D3/298; D8/73, 107, 310, 352, 373, 382;  
D9/435, 445, 453, 454; D11/78.1  
See application file for complete search history.

(56) **References Cited**

**U.S. PATENT DOCUMENTS**

D244,405 S \* 5/1977 Takata et al. .... D3/267  
D314,865 S \* 2/1991 Tuisku ..... D3/247

D431,719 S \* 10/2000 Mucarquer ..... D3/247  
D476,149 S \* 6/2003 Andre et al. .... D3/218  
D509,955 S \* 9/2005 Williams ..... D3/247  
D513,120 S \* 12/2005 Hunter et al. .... D3/249  
D515,134 S \* 2/2006 Stewart, III ..... D19/9  
D593,088 S \* 5/2009 Lee et al. .... D14/345  
D637,232 S \* 5/2011 Ringl ..... D19/86  
D637,648 S \* 5/2011 Ringl ..... D19/86

\* cited by examiner

*Primary Examiner* — Susan Bennett Hattan

*Assistant Examiner* — Vy Koenig

(74) *Attorney, Agent, or Firm* — Harness, Dickey & Pierce,  
P.L.C.

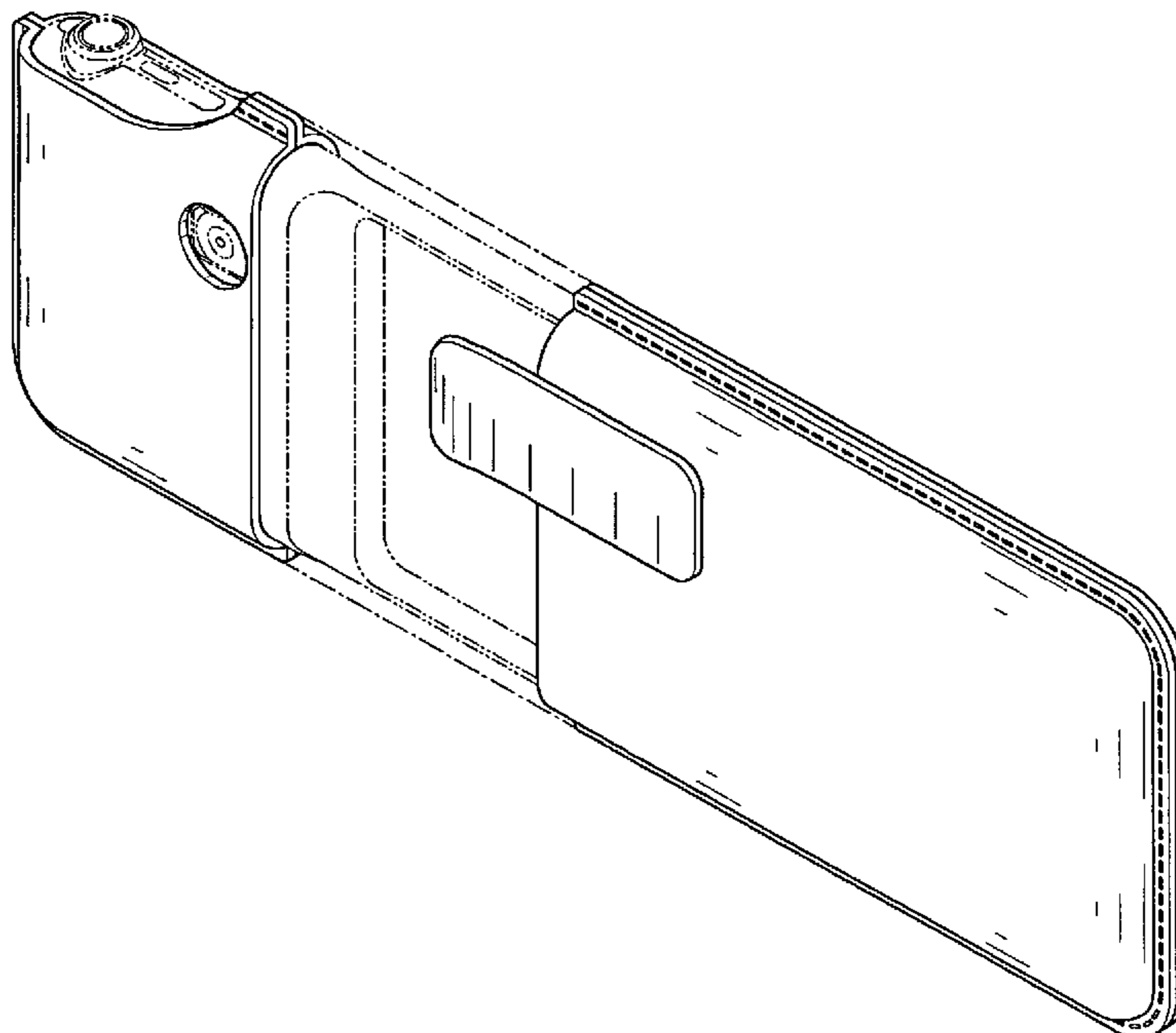
(57) **CLAIM**

The ornamental design for a case for camera, as shown and described.

**DESCRIPTION**

FIG. 1 is the front/right-side/top perspective view of a case for camera showing our new design;  
FIG. 2 is the front elevational view thereof;  
FIG. 3 is the rear elevational view thereof;  
FIG. 4 is the left-side elevational view thereof;  
FIG. 5 is the right-side elevational view thereof;  
FIG. 6 is the top-side plan view thereof;  
FIG. 7 is the bottom-side plan view thereof; and,  
FIG. 8 is an isometric view of the case for camera in an alternate configuration, showing that the case slides on a camera.  
The light, unevenly spaced broken lines shown in FIG. 8 represent environmental subject matter and form no part of the claimed design. All other dashed lines depict stitching.

**1 Claim, 5 Drawing Sheets**



**FIG. 1**

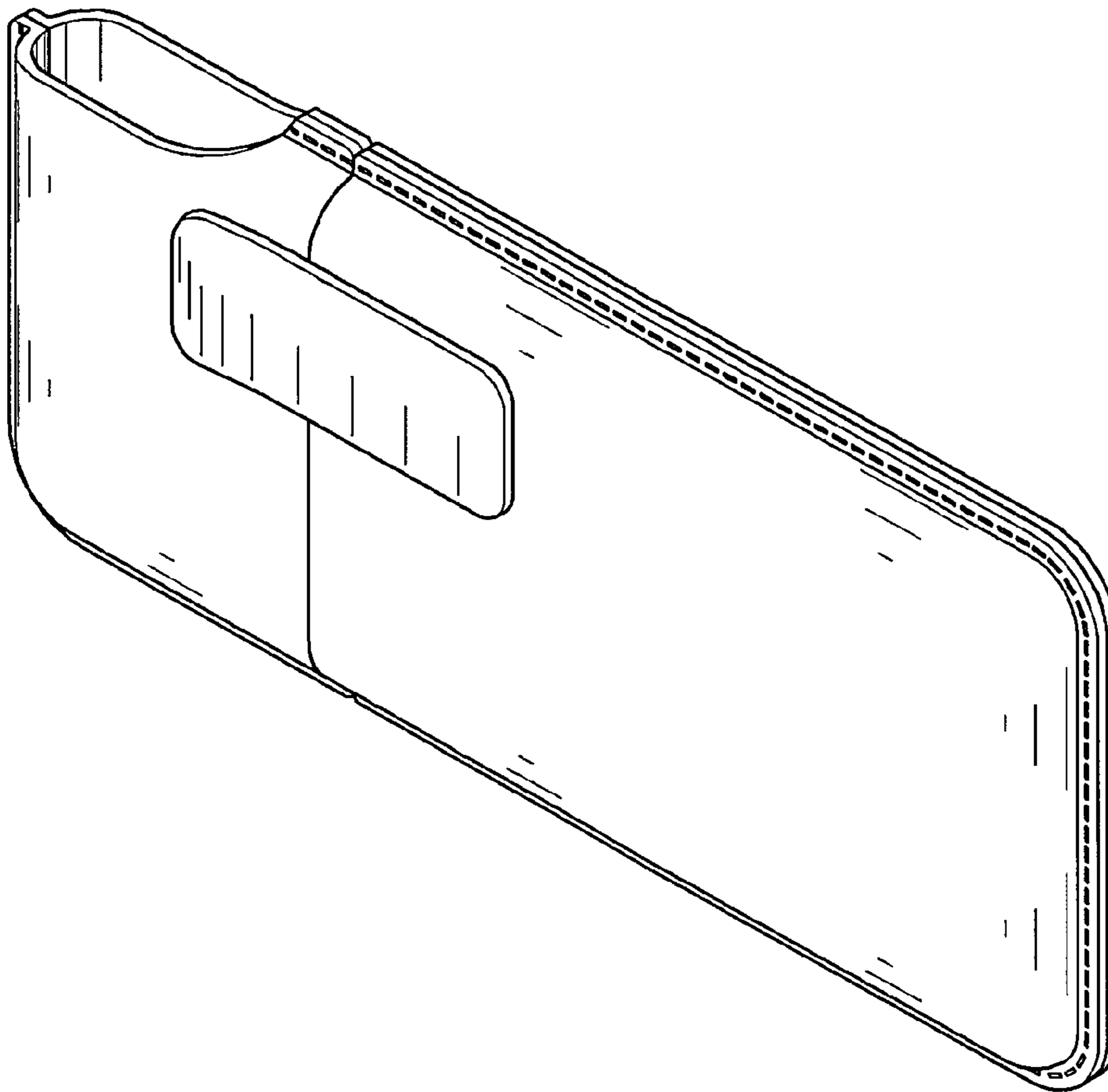


FIG. 2

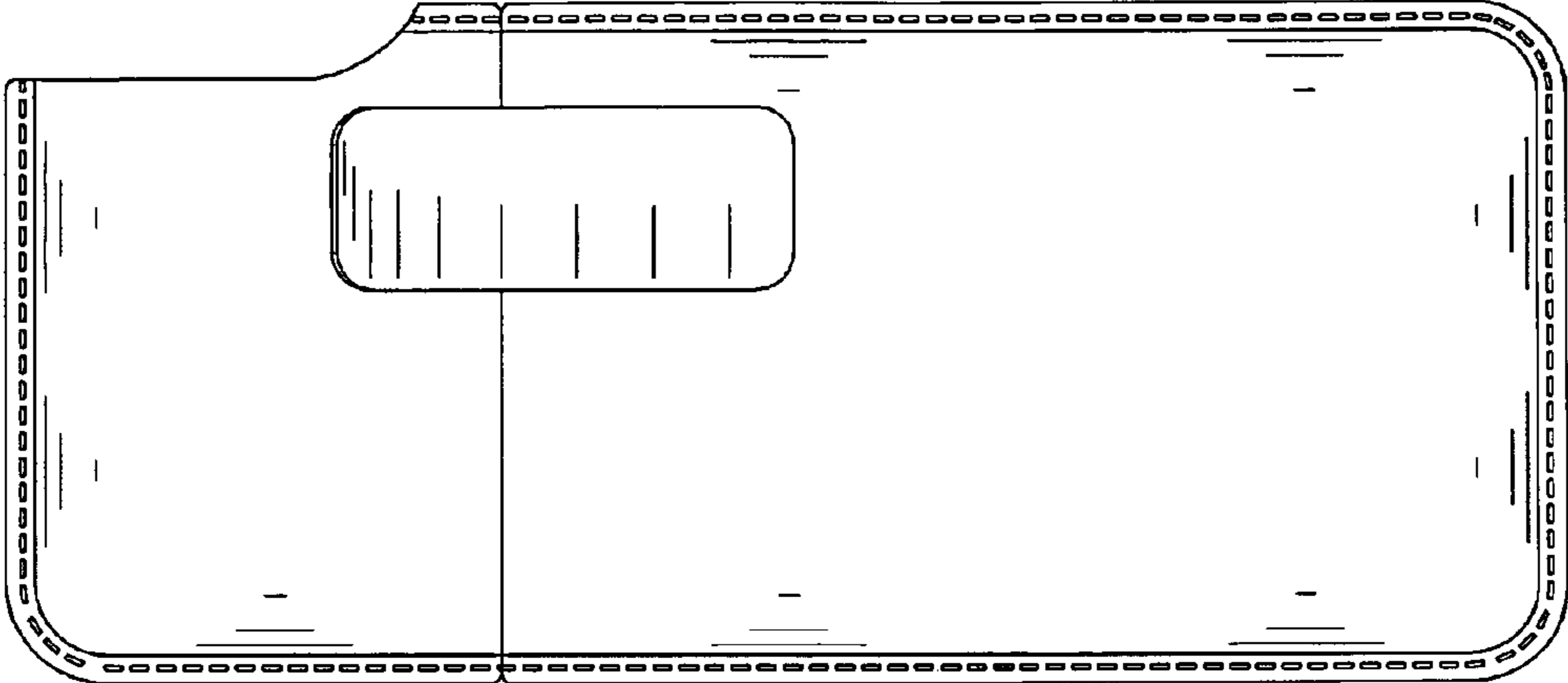
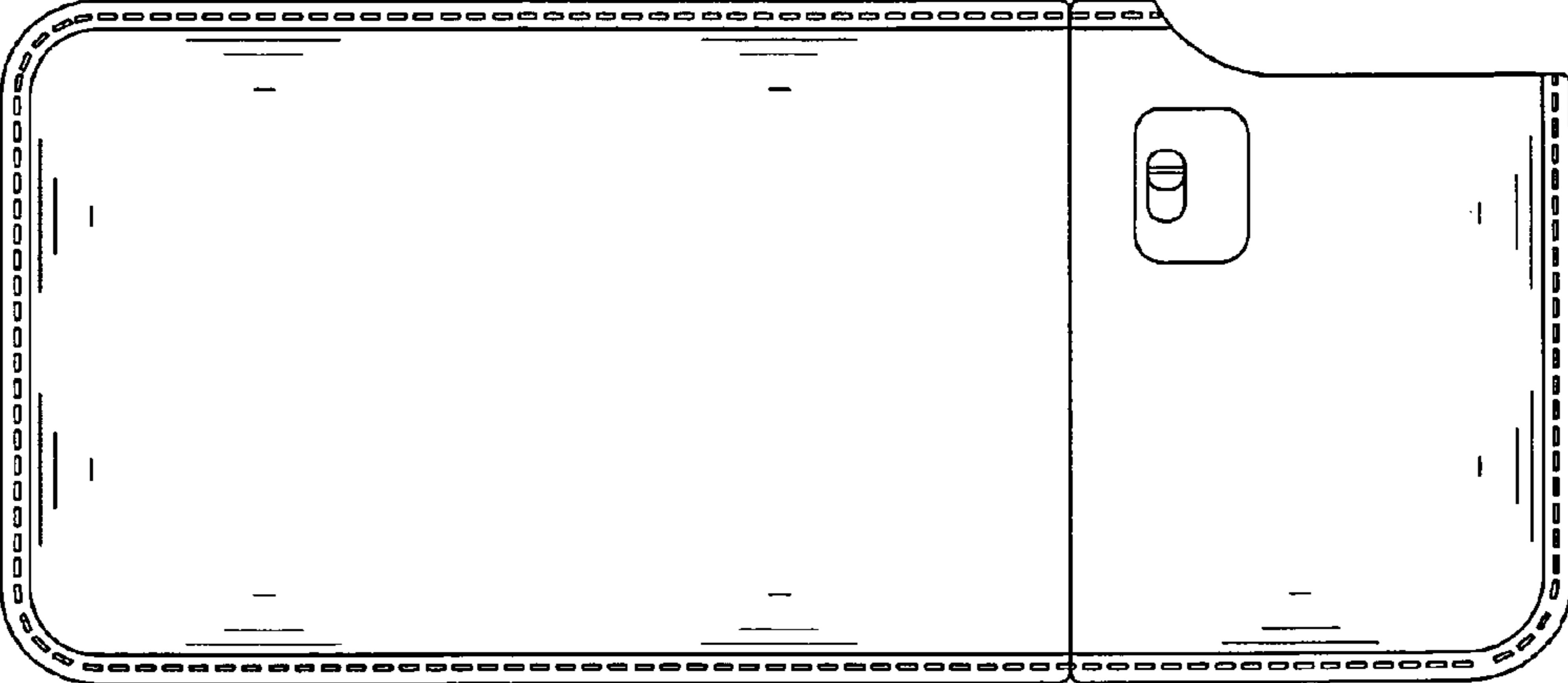
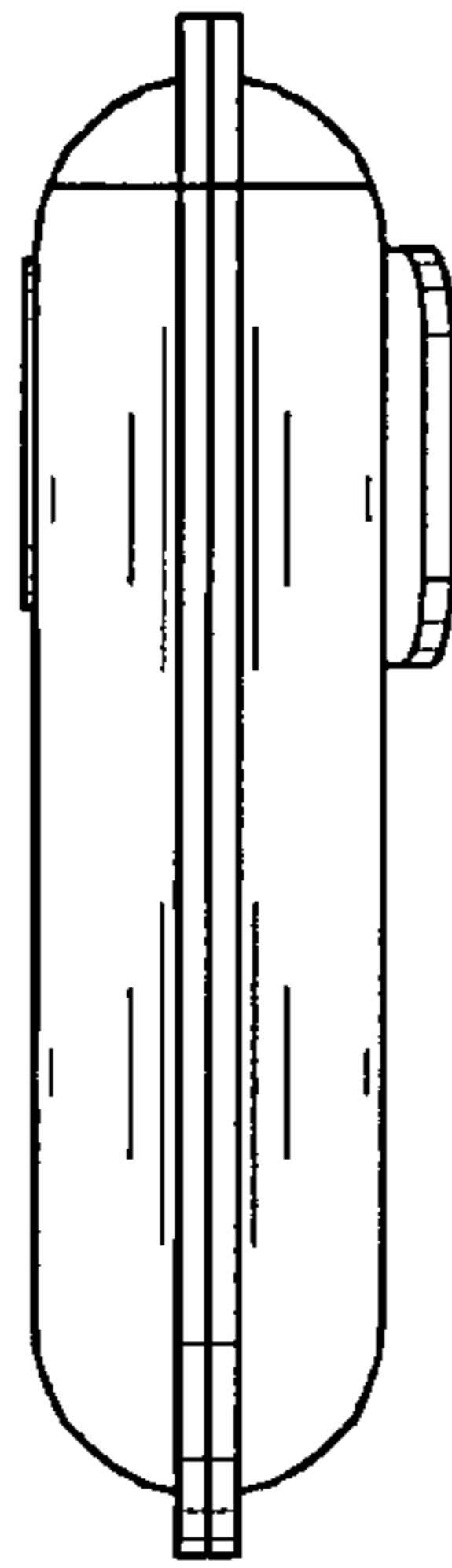


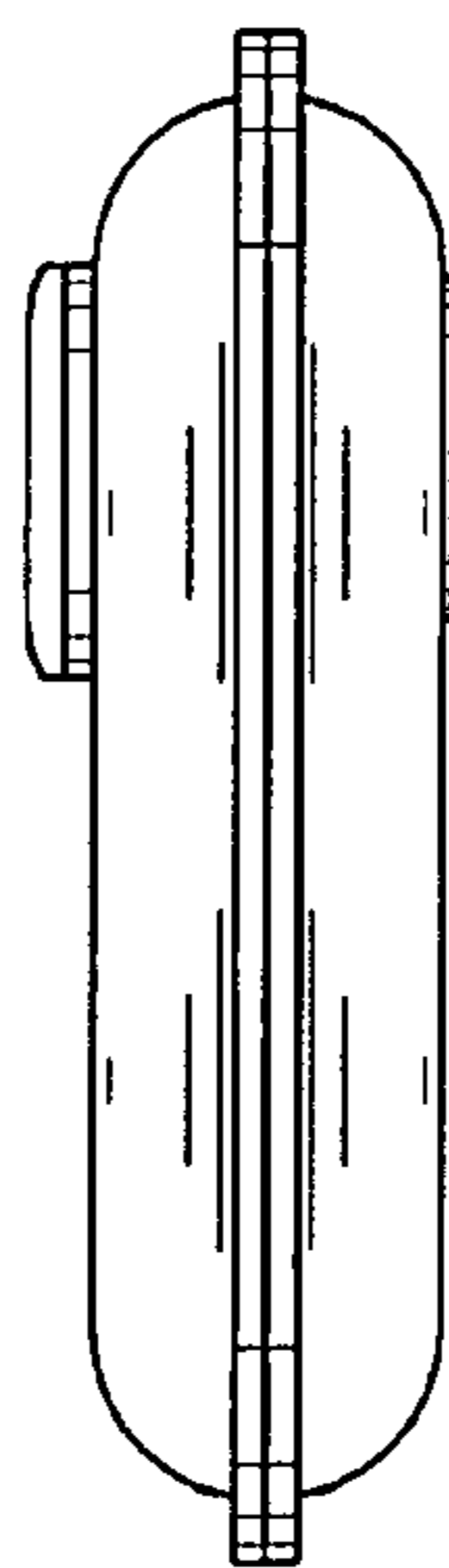
FIG. 3



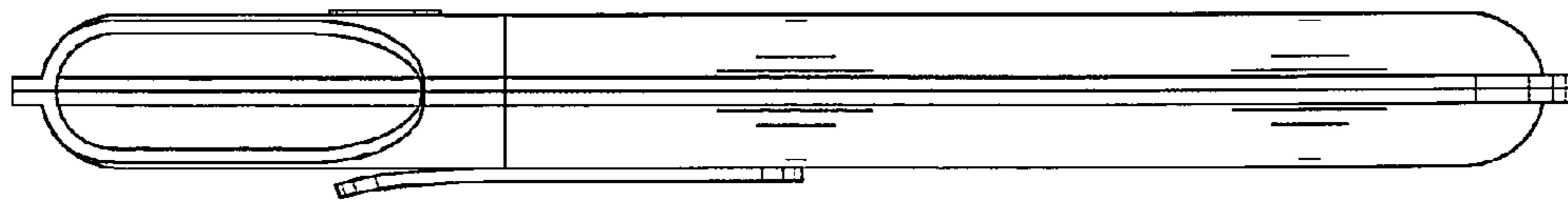
**FIG. 4**



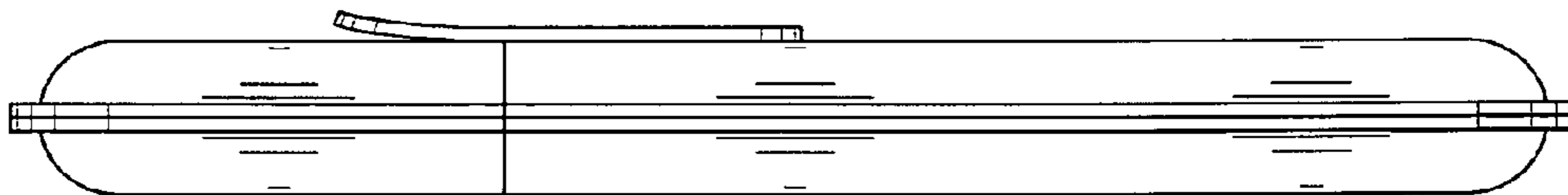
**FIG. 5**



**FIG. 6**



**FIG. 7**



**FIG. 8**

