



US00D703256S

(12) **United States Design Patent**
Sakai

(10) **Patent No.:** **US D703,256 S**

(45) **Date of Patent:** **** Apr. 22, 2014**

(54) **ELECTRONIC CAMERA**

(71) Applicant: **FUJIFILM Corporation**, Tokyo (JP)

(72) Inventor: **Masayuki Sakai**, Saitama (JP)

(73) Assignee: **FUJIFILM Corporation**, Tokyo (JP)

(**) Term: **14 Years**

(21) Appl. No.: **29/443,461**

(22) Filed: **Jan. 17, 2013**

(30) **Foreign Application Priority Data**

Aug. 29, 2012 (JP) 2012-020775

(51) **LOC (10) Cl.** **16-05**

(52) **U.S. Cl.**
USPC **D16/219**

(58) **Field of Classification Search**
USPC D16/200, 202, 203, 218, 219;
348/373-376; 396/535-541
See application file for complete search history.

(56) **References Cited**

U.S. PATENT DOCUMENTS

D506,491 S * 6/2005 Takahashi D16/202
D524,351 S * 7/2006 Haga D16/219

D536,015 S * 1/2007 Hanafusa D16/219
D538,832 S * 3/2007 Nakamura D16/219
D582,464 S * 12/2008 Imai D16/219
D584,326 S * 1/2009 Hayashi D16/219
D653,693 S * 2/2012 Jannard et al. D16/243

* cited by examiner

Primary Examiner — Adir Aronovich

(74) *Attorney, Agent, or Firm* — Sughrue Mion, PLLC

(57) **CLAIM**

The ornamental design for a electronic camera, as shown and described.

DESCRIPTION

FIG. 1 is a top, front and right side perspective view of an electronic camera showing my new design;
FIG. 2 is a top, rear and left side perspective view thereof;
FIG. 3 is a front elevational view thereof;
FIG. 4 is a rear elevational view thereof;
FIG. 5 is a top plan view thereof;
FIG. 6 is a bottom plan view thereof;
FIG. 7 is a left side elevational view thereof; and,
FIG. 8 is a right side elevational view thereof.
The portions of the electronic camera in broken lines are shown for illustrative purposes only and form no part of the claimed design.

1 Claim, 8 Drawing Sheets

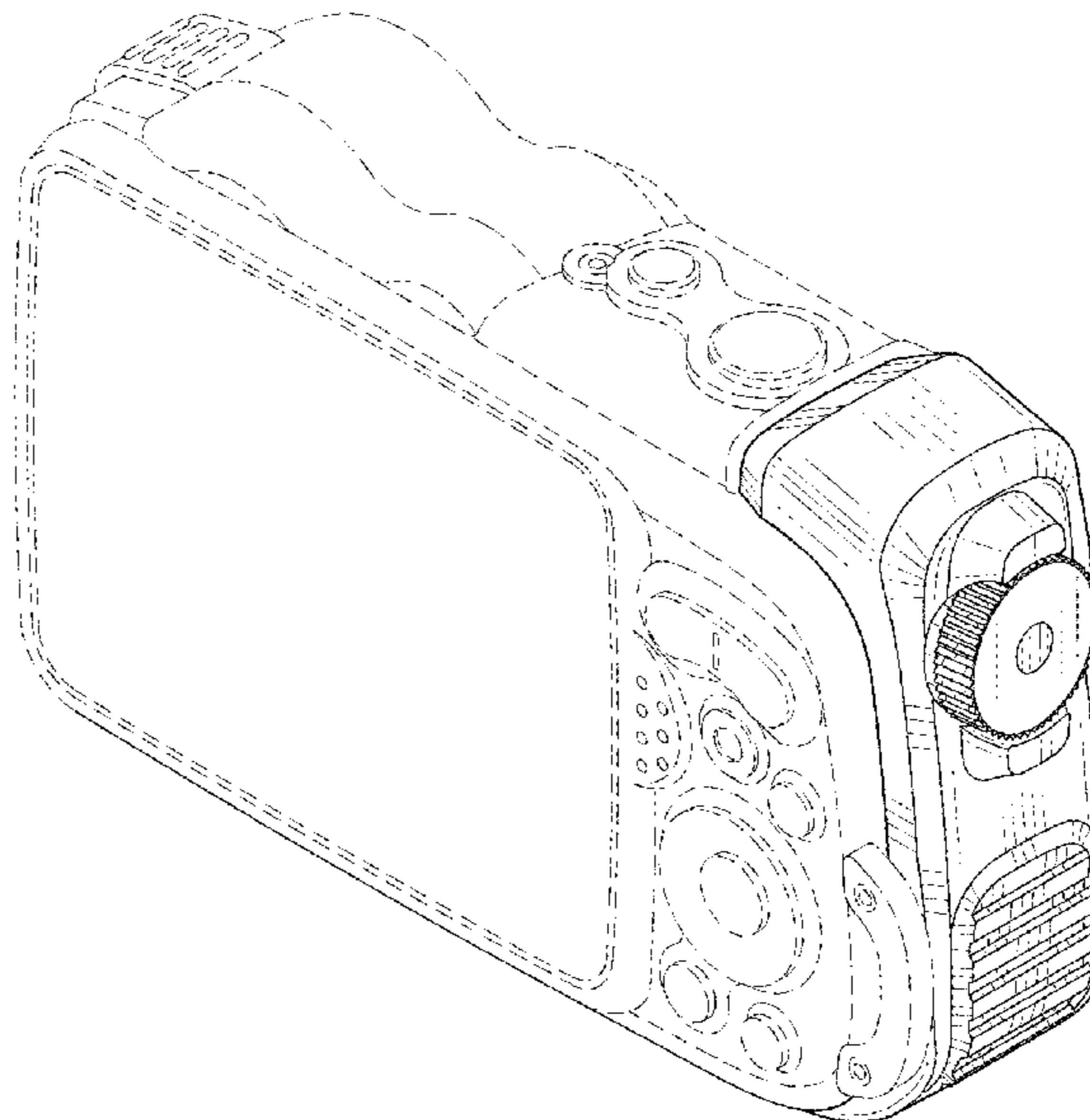
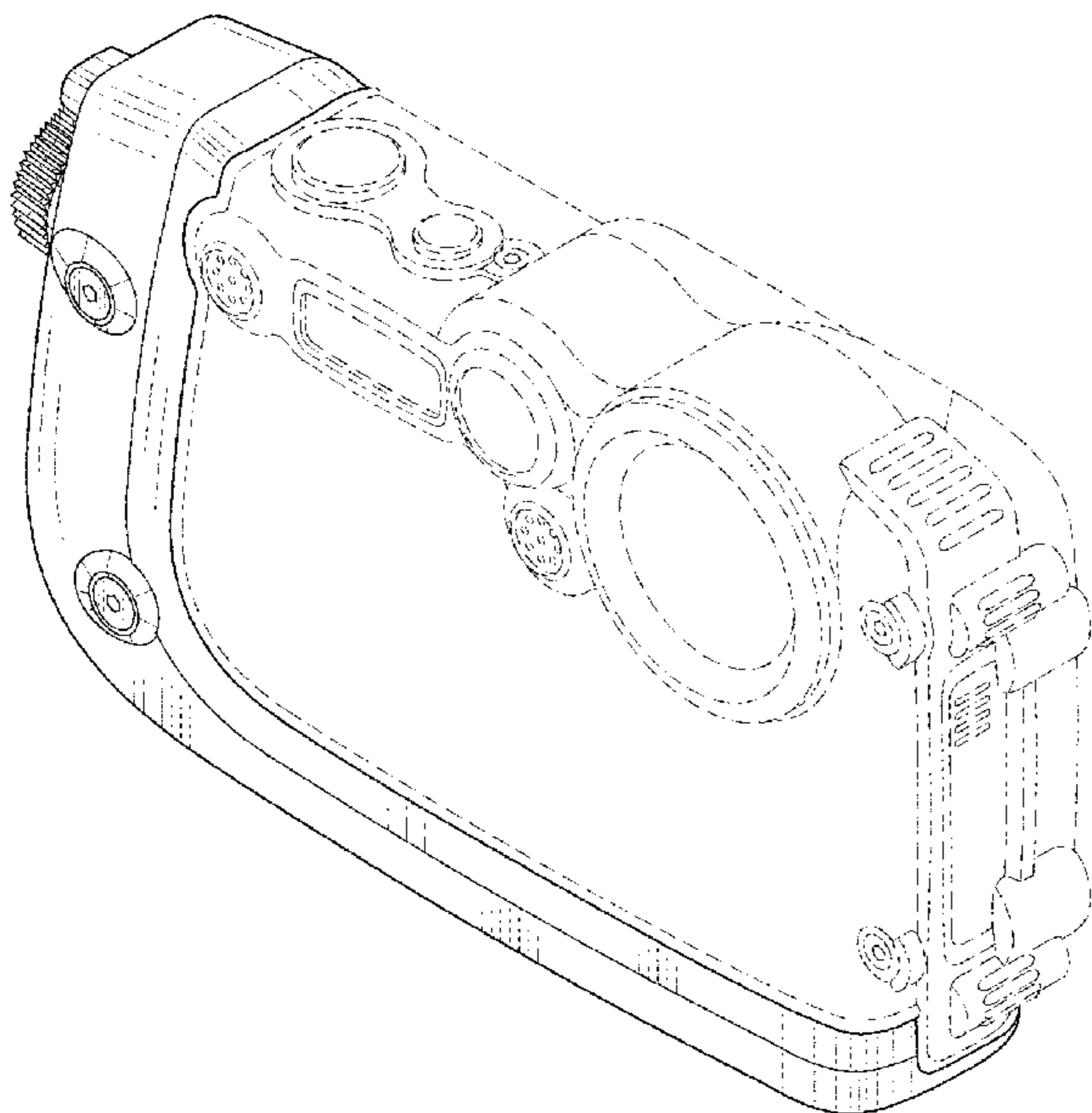


FIG. 1

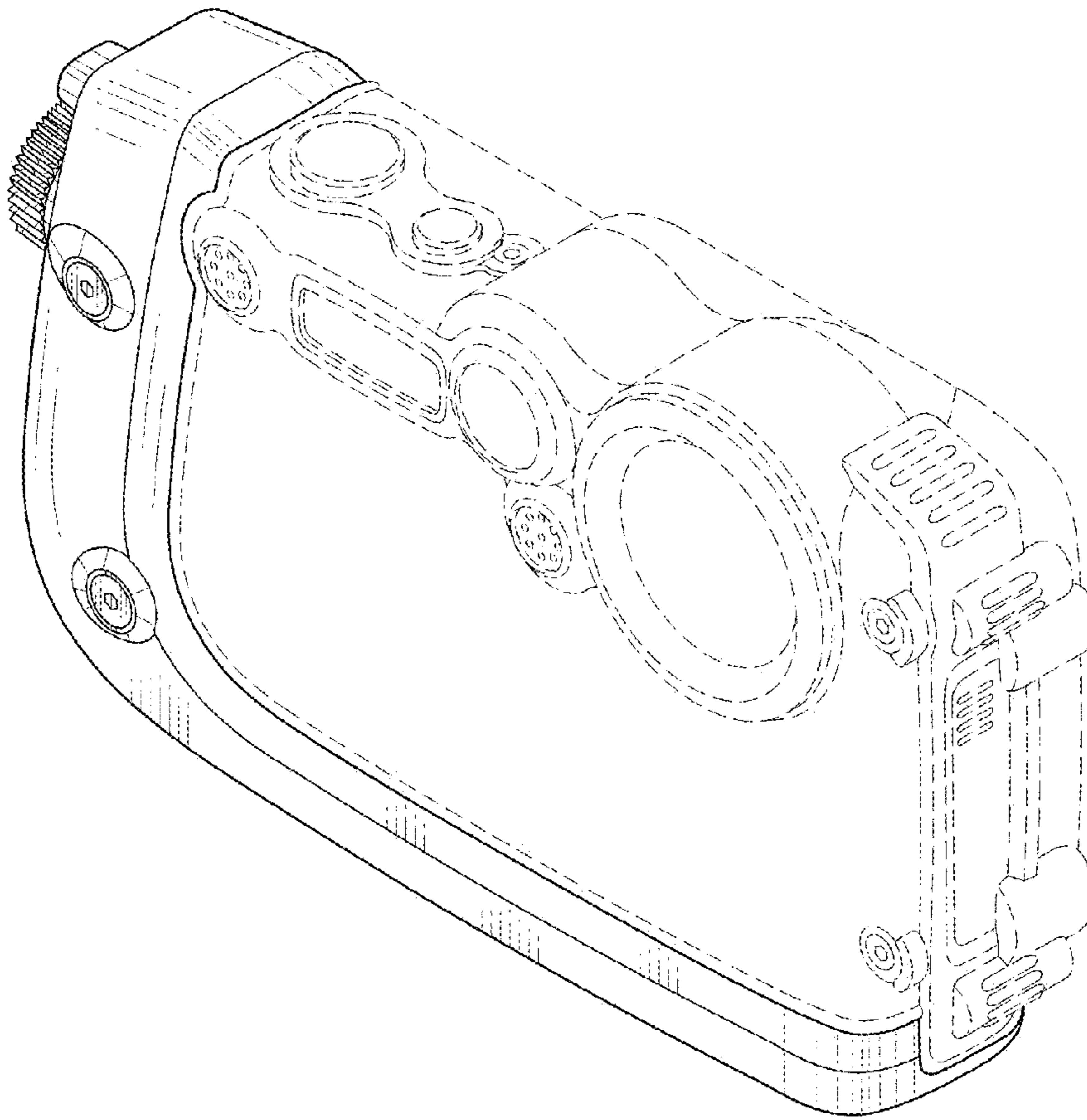


FIG.2

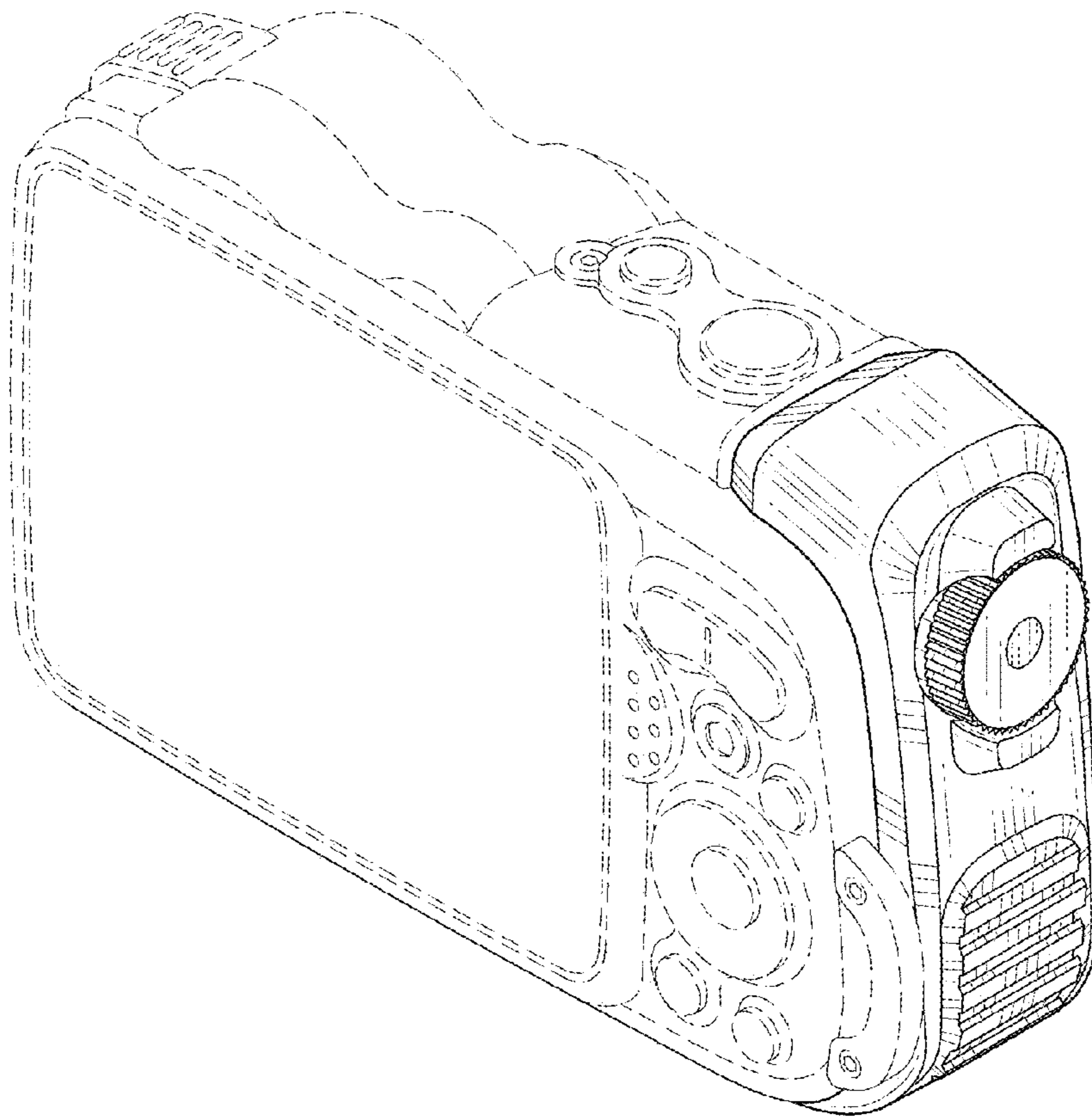


FIG. 3

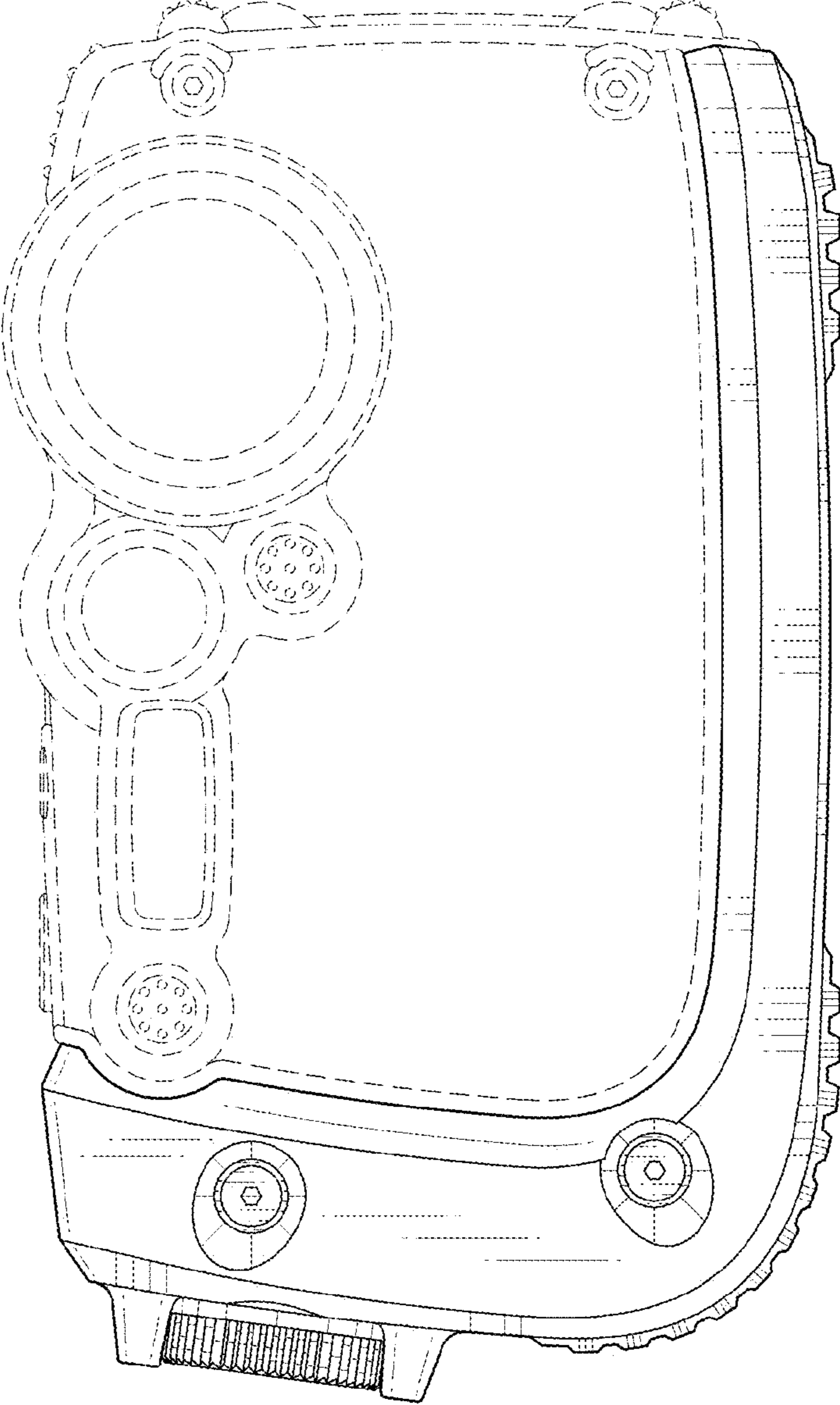


FIG. 4

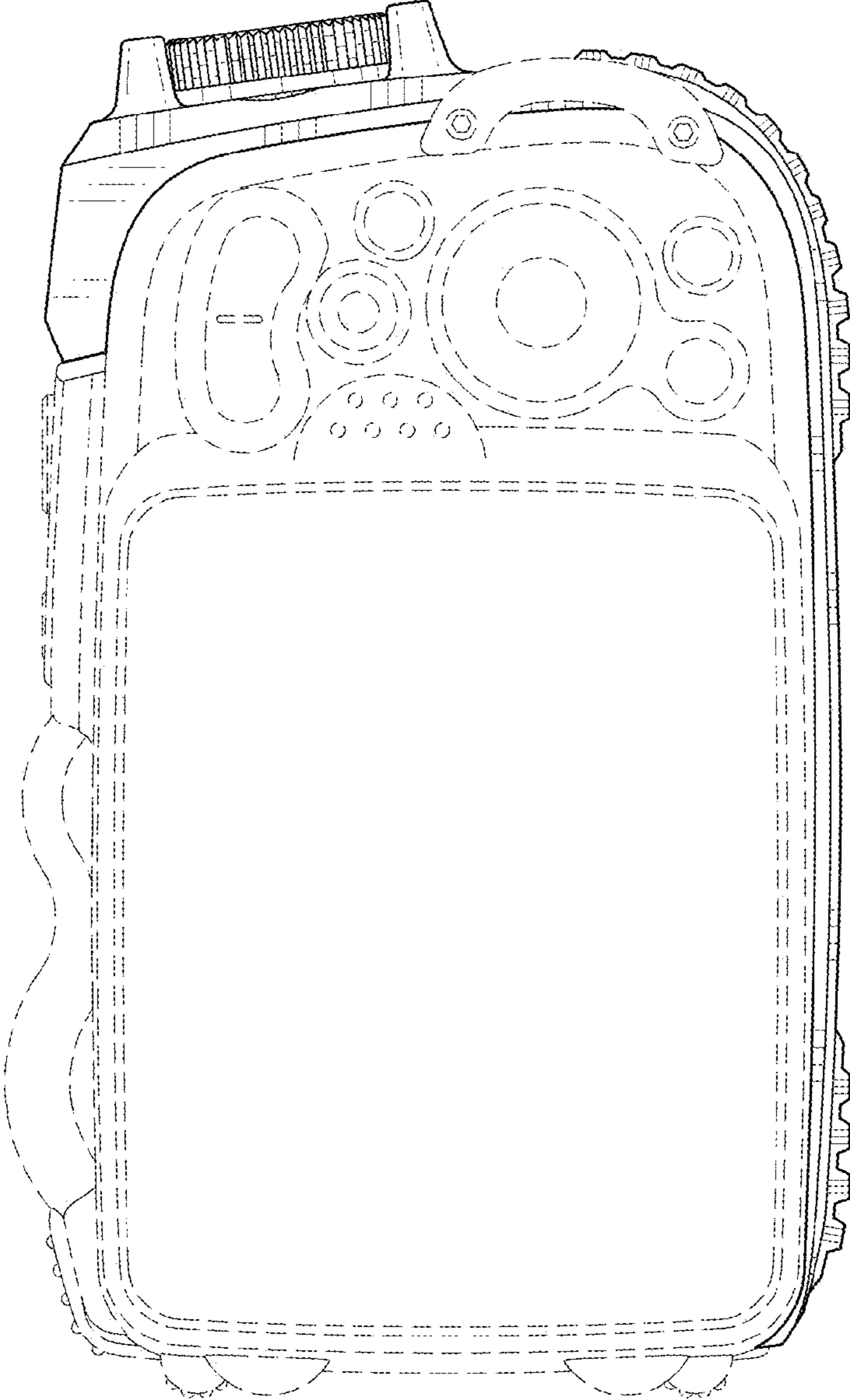


FIG. 5

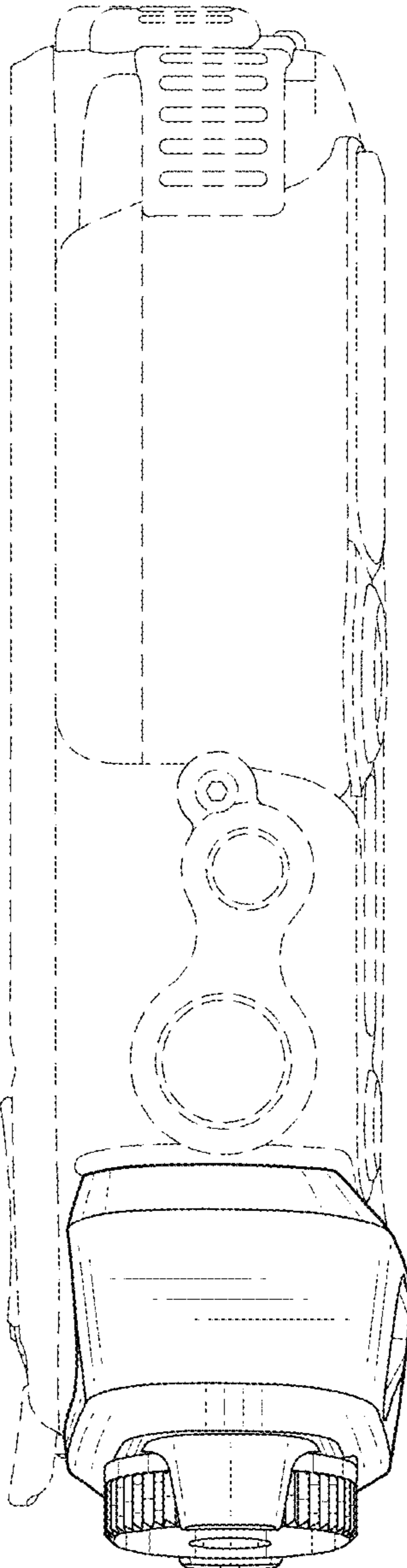


FIG.6

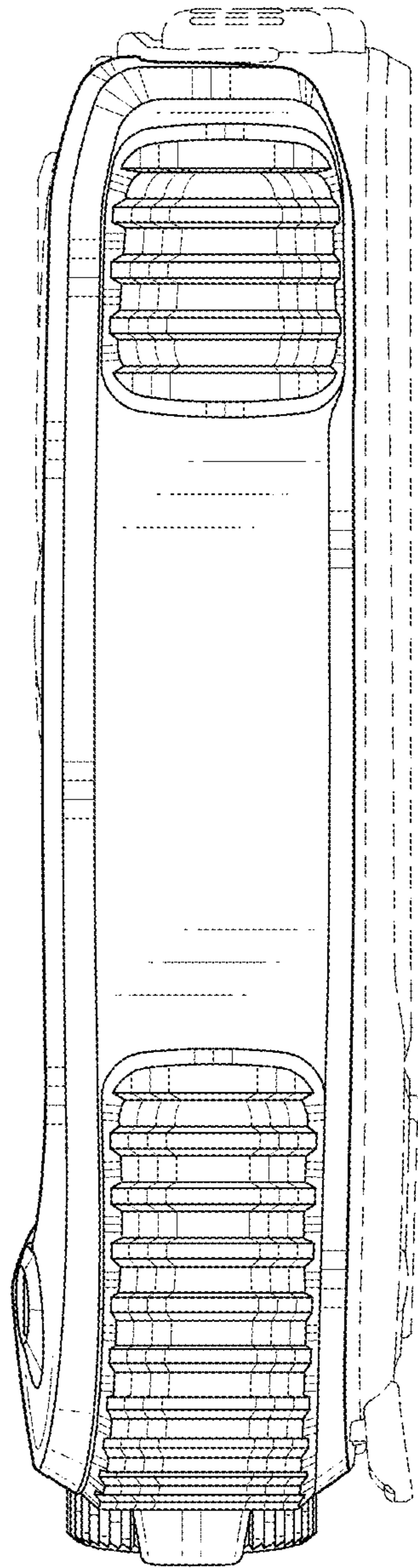


FIG. 7

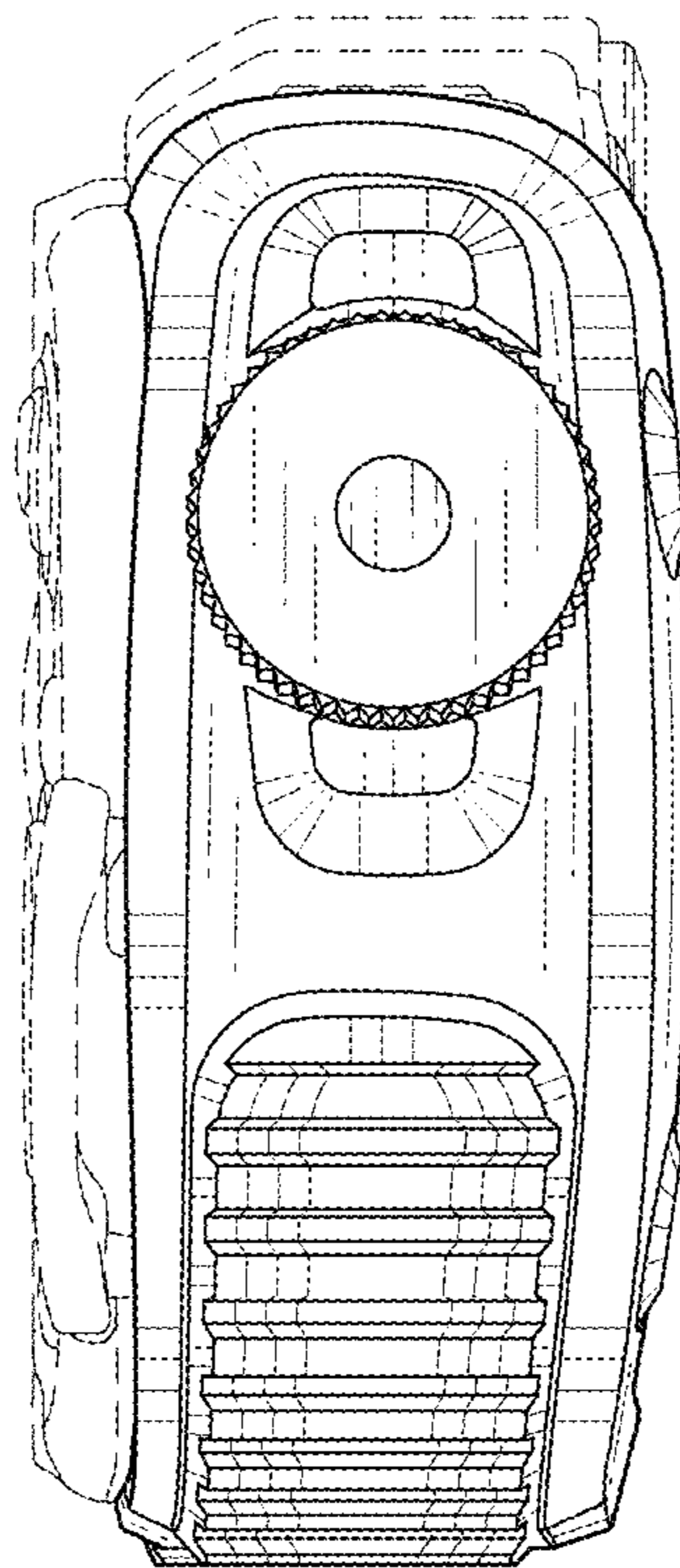


FIG.8

