



US00D703255S

(12) **United States Design Patent**
Sakai

(10) **Patent No.:** **US D703,255 S**
(45) **Date of Patent:** **** Apr. 22, 2014**

- (54) **ELECTRONIC CAMERA**
- (71) Applicant: **Fujifilm Corporation**, Tokyo (JP)
- (72) Inventor: **Masayuki Sakai**, Saitama (JP)
- (73) Assignee: **FUJIFILM Corporation**, Tokyo (JP)
- (**) Term: **14 Years**
- (21) Appl. No.: **29/443,452**
- (22) Filed: **Jan. 17, 2013**

- (30) **Foreign Application Priority Data**
Aug. 29, 2012 (JP) 2012-020772
- (51) **LOC (10) Cl.** **16-01**
- (52) **U.S. Cl.**
USPC **D16/202**
- (58) **Field of Classification Search**
USPC D16/200, 202, 203, 218, 219;
348/373–376; 396/535–541
See application file for complete search history.

- (56) **References Cited**
U.S. PATENT DOCUMENTS
D488,497 S * 4/2004 Suzuki D16/218
D548,255 S * 8/2007 Naito D16/202

D605,675 S *	12/2009	Sakaguchi et al.	D16/202
D610,179 S *	2/2010	Tajima	D16/202
D631,078 S *	1/2011	Nohara	D16/202
D640,300 S *	6/2011	Sato et al.	D16/202
D648,765 S *	11/2011	Tsukamoto	D16/202
8,098,325 B2 *	1/2012	Kaneko et al.	348/374
D665,003 S *	8/2012	Sakai	D16/202
D680,149 S *	4/2013	Nakajima	D16/219
D682,338 S *	5/2013	Uemachi	D16/202

* cited by examiner

Primary Examiner — Adir Aronovich
(74) *Attorney, Agent, or Firm* — Sughrue Mion, PLLC

(57) **CLAIM**
The ornamental design for an electronic camera, as shown and described.

DESCRIPTION

FIG. 1 is a top, front and right side perspective view of an electronic camera showing my new design;
FIG. 2 is a top, rear and left side perspective view thereof;
FIG. 3 is a front elevational view thereof;
FIG. 4 is a rear elevational view thereof;
FIG. 5 is a top plan view thereof;
FIG. 6 is a bottom plan view thereof;
FIG. 7 is a left side elevational view thereof; and,
FIG. 8 is a right side elevational view thereof.

1 Claim, 8 Drawing Sheets

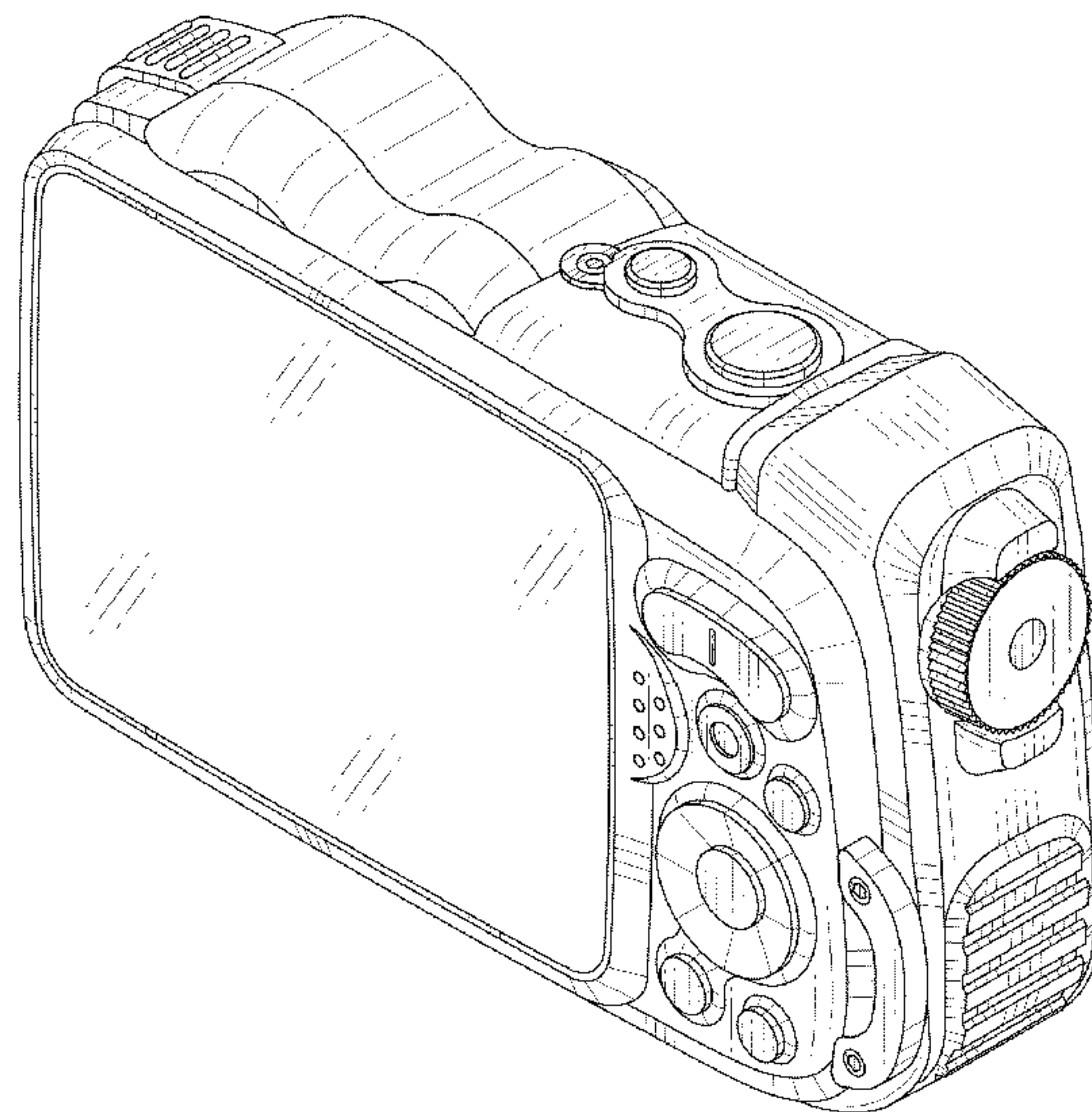
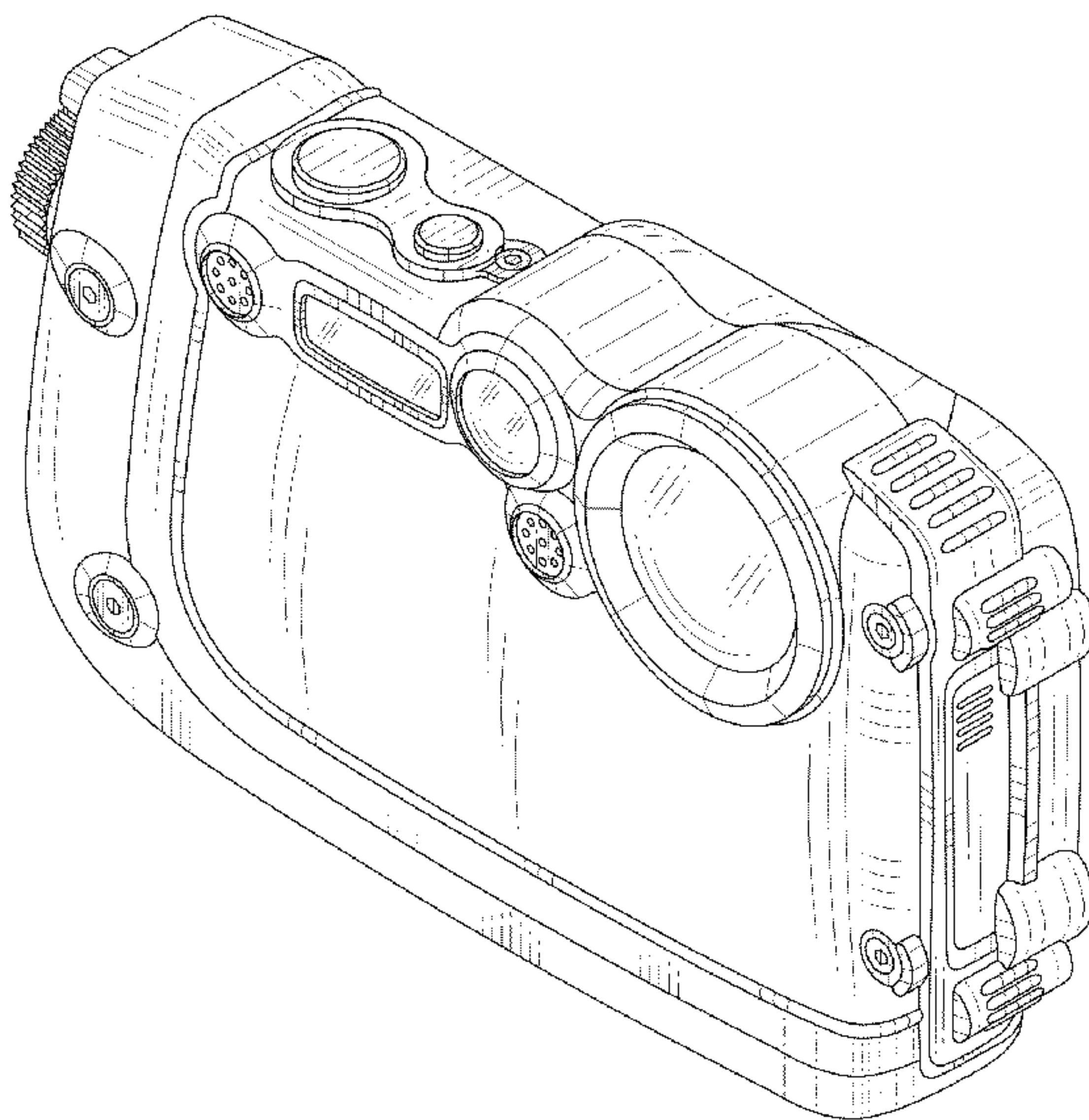


FIG. 1

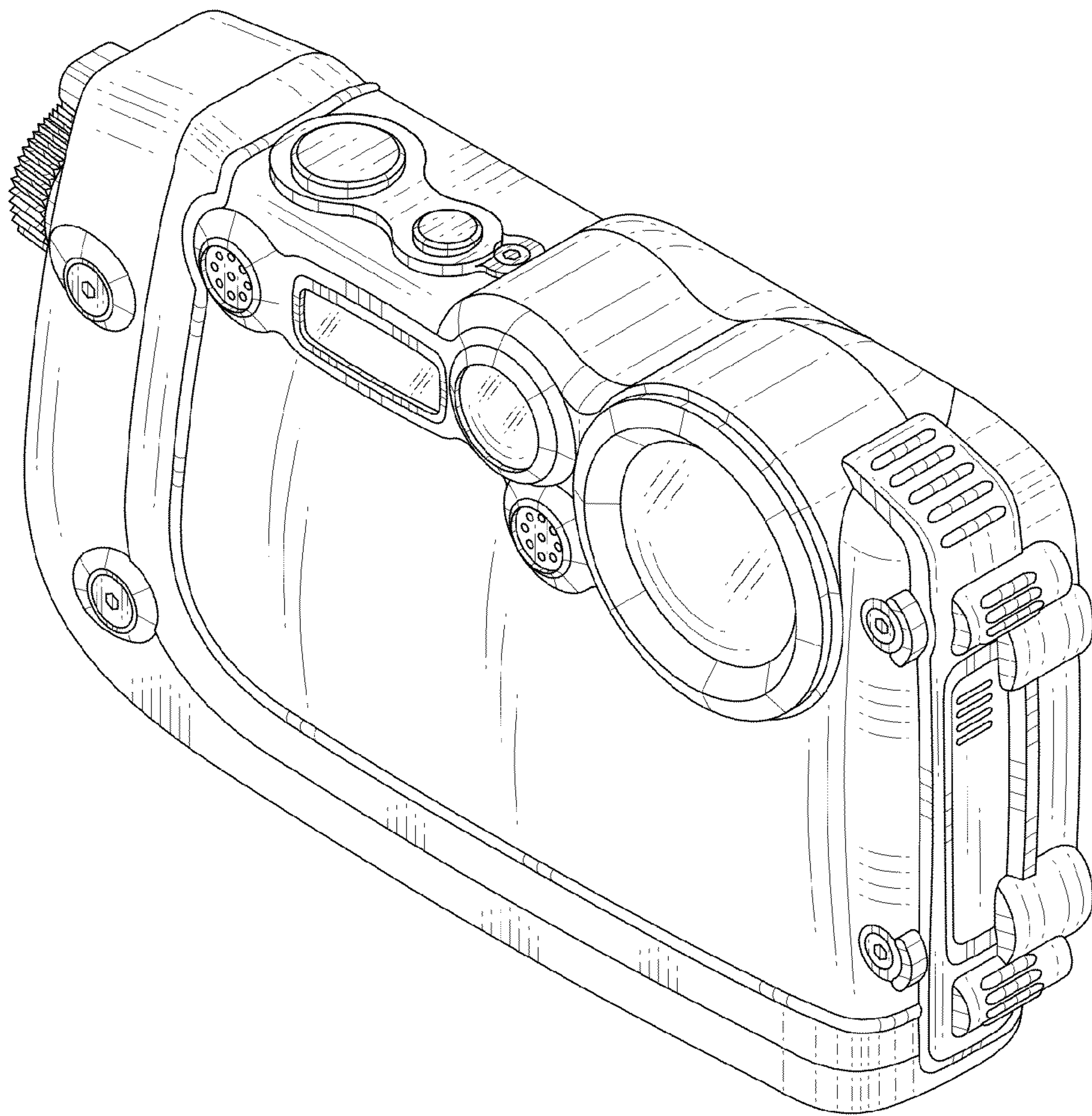


FIG. 2

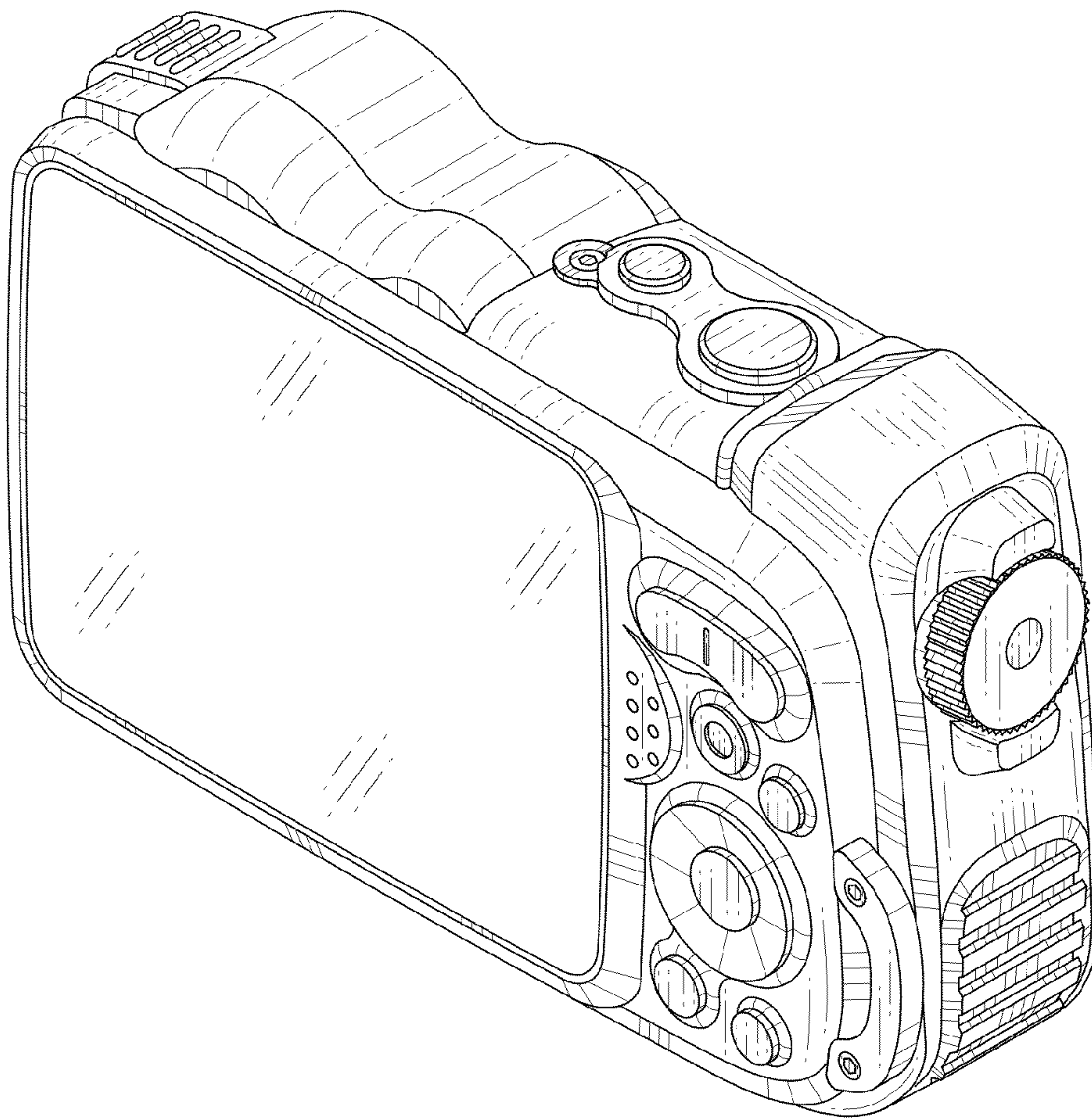


FIG. 3

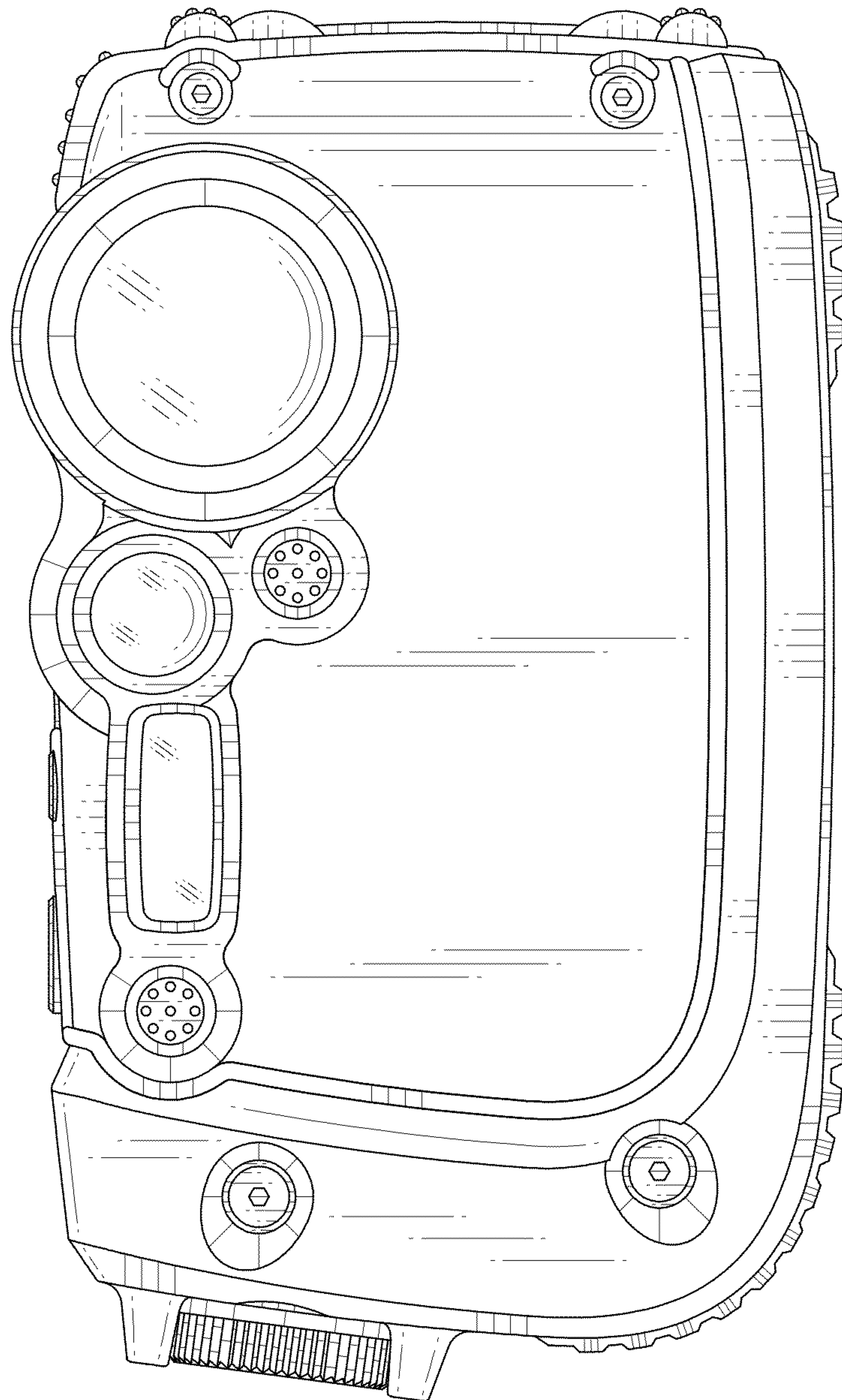


FIG.4

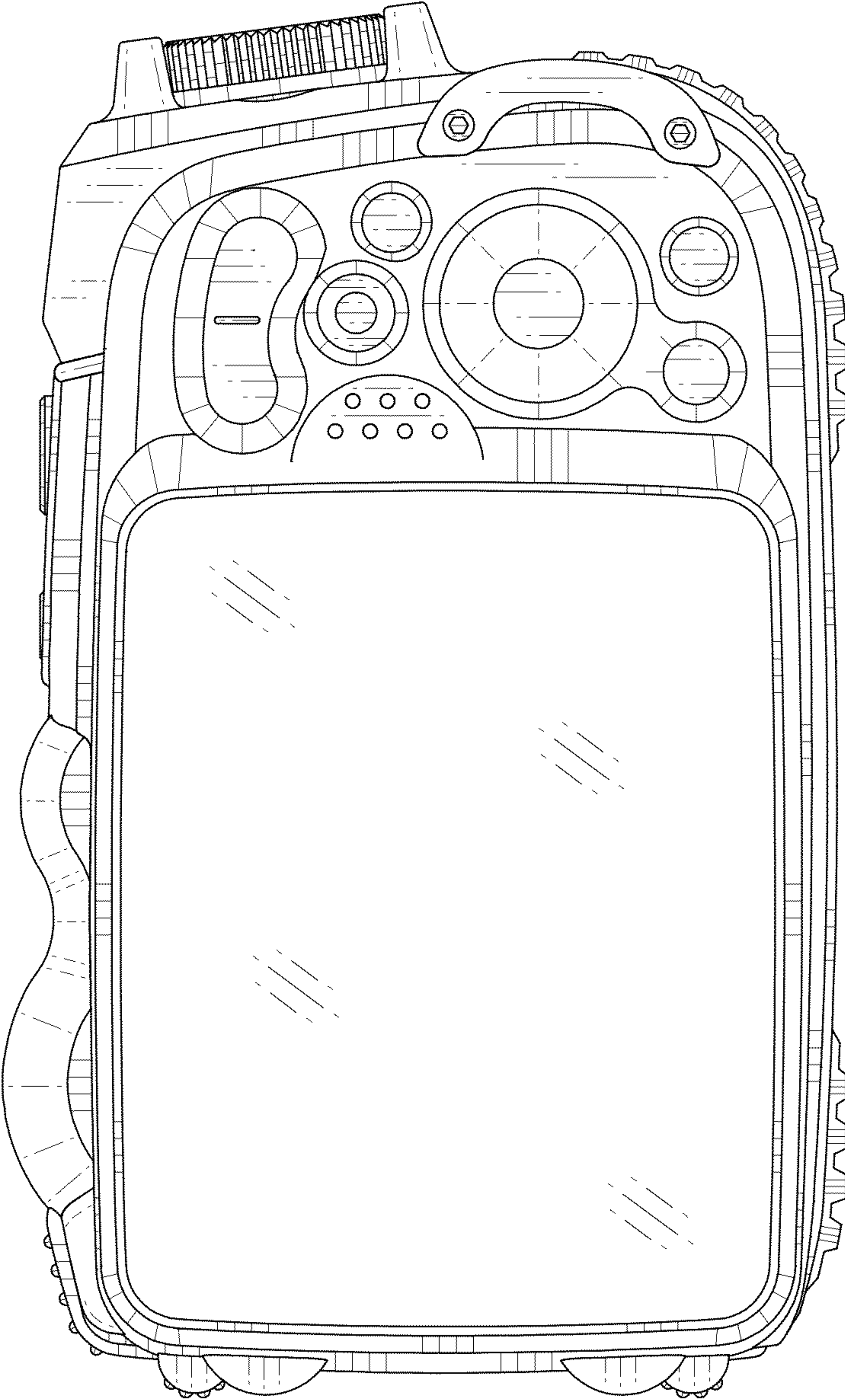


FIG.5

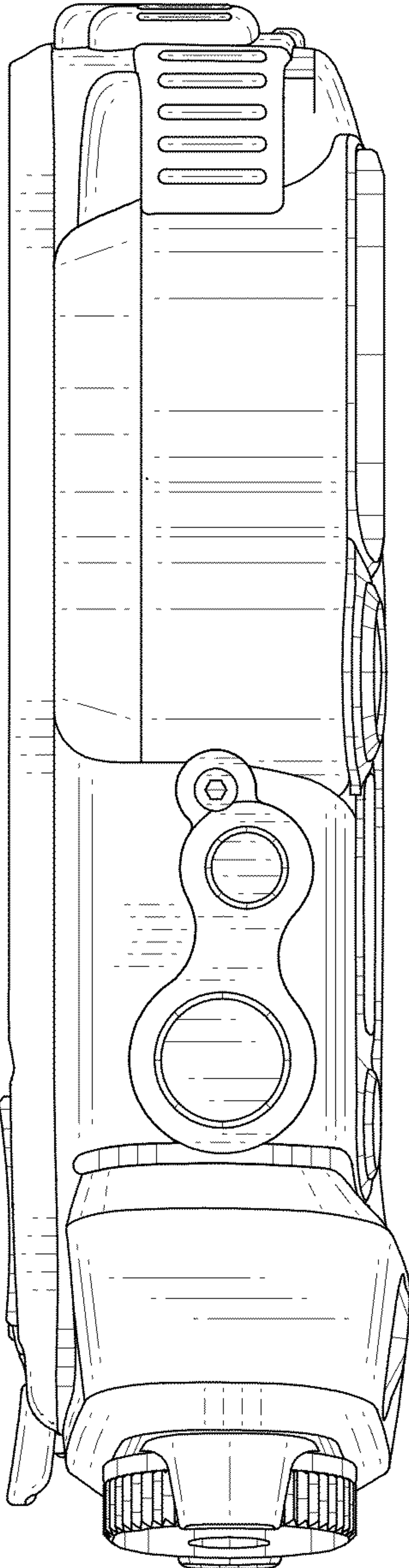


FIG.6

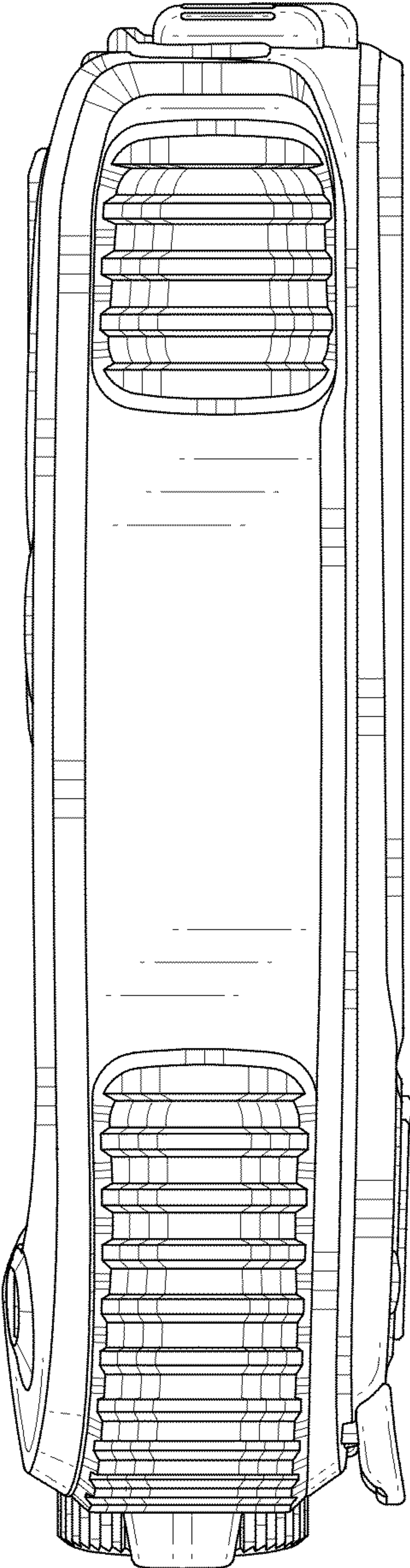


FIG. 7

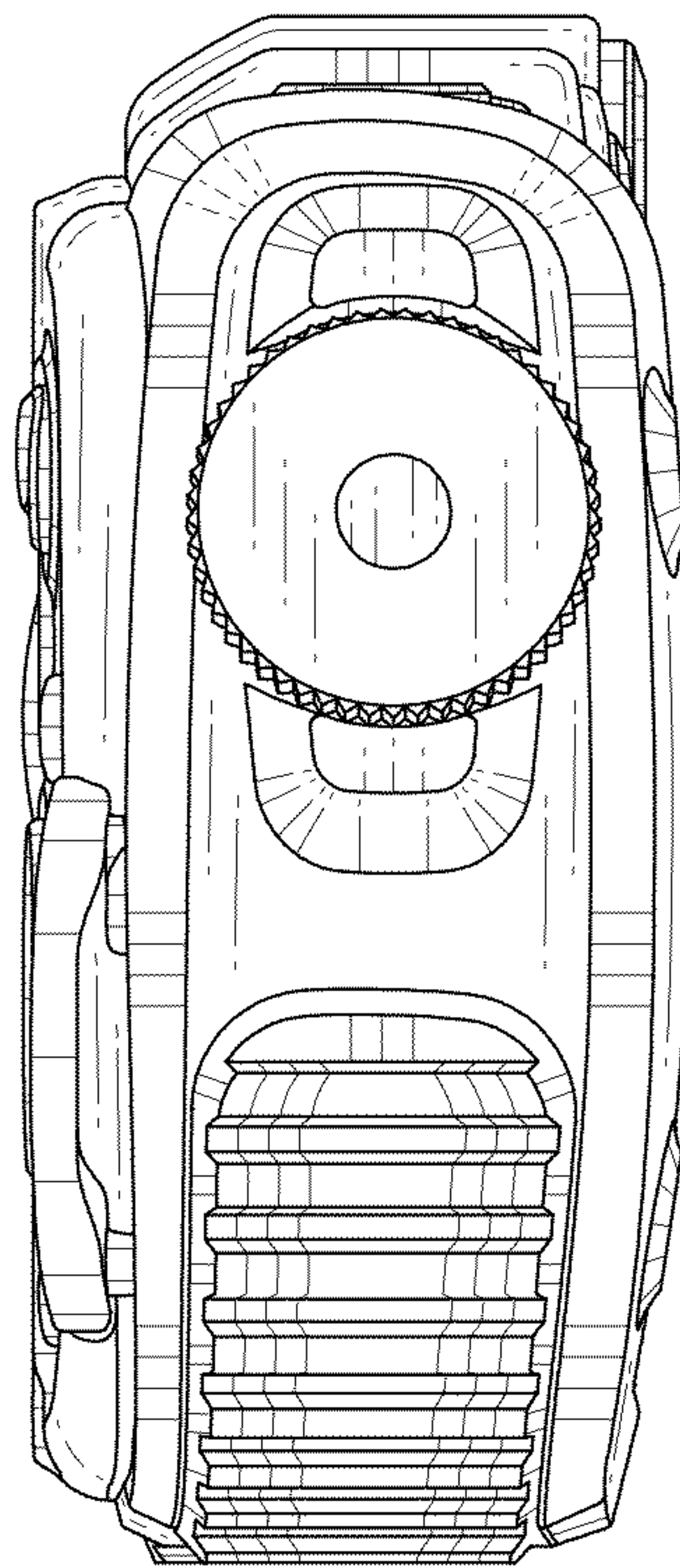


FIG.8

