



US00D703254S

(12) **United States Design Patent**
Sakata

(10) **Patent No.:** **US D703,254 S**

(45) **Date of Patent:** **** Apr. 22, 2014**

(54) **WEARABLE BINOCULARS**

(71) Applicant: **Sante Plus, Inc.**, Tokyo (JP)

(72) Inventor: **Naoaki Sakata**, Tokyo (JP)

(73) Assignee: **Sante Plus, Inc.**, Tokyo (JP)

(**) Term: **14 Years**

(21) Appl. No.: **29/452,411**

(22) Filed: **Apr. 16, 2013**

(30) **Foreign Application Priority Data**

Oct. 18, 2012 (JP) 2012-25403

(51) **LOC (10) Cl.** **16-06**

(52) **U.S. Cl.**

CPC **G02B 23/18** (2013.01)

USPC **D16/133**

(58) **Field of Classification Search**

CPC G02B 23/18

USPC D16/133, 130, 330, 309; 2/453;
351/156, 158; 359/407, 409, 411, 399,
359/839, 880

See application file for complete search history.

(56) **References Cited**

U.S. PATENT DOCUMENTS

1,851,579	A *	3/1932	Hixon	359/411
2,024,018	A *	12/1935	Wollensak	359/411
D154,492	S *	7/1949	Katz	D16/133
D156,733	S *	1/1950	Hofer et al.	D16/133
2,625,855	A *	1/1953	Gaylor	359/411
2,935,910	A *	5/1960	Schmidt	359/481
2,986,969	A *	6/1961	Muncheryan	359/478
3,029,696	A *	4/1962	Schmidt	359/411

D266,255	S *	9/1982	Burbo et al.	D16/133
4,364,645	A *	12/1982	Feinbloom	351/204
4,498,743	A *	2/1985	Feinbloom	351/45
D296,337	S *	6/1988	Caplan	D16/133
4,834,525	A *	5/1989	Vansaghi	351/158
4,986,644	A *	1/1991	Yang	359/410
D333,828	S *	3/1993	Baldassarre	D16/133
5,446,507	A *	8/1995	Chang	351/158
5,548,841	A *	8/1996	Sherlock et al.	2/15
5,727,251	A *	3/1998	Sherlock et al.	2/15
D412,177	S *	7/1999	Fujii	D16/133
6,064,520	A *	5/2000	Nowak et al.	359/411
D458,287	S *	6/2002	Huang	D16/135
6,406,144	B1 *	6/2002	Waters	351/56
6,667,832	B2 *	12/2003	Caplan et al.	359/409
D562,876	S *	2/2008	Beate et al.	D16/330
D592,692	S *	5/2009	Chang	D16/309
D592,695	S *	5/2009	Wang	D16/314
D617,825	S *	6/2010	Chang	D16/309
2007/0064307	A1 *	3/2007	Hluchan et al.	359/407

* cited by examiner

Primary Examiner — Paula Greene

(74) *Attorney, Agent, or Firm* — The Webb Law Firm

(57) **CLAIM**

The ornamental design for wearable binoculars, as shown and described.

DESCRIPTION

FIG. 1 is a front view of wearable binoculars showing my new design;

FIG. 2 is a rear view thereof;

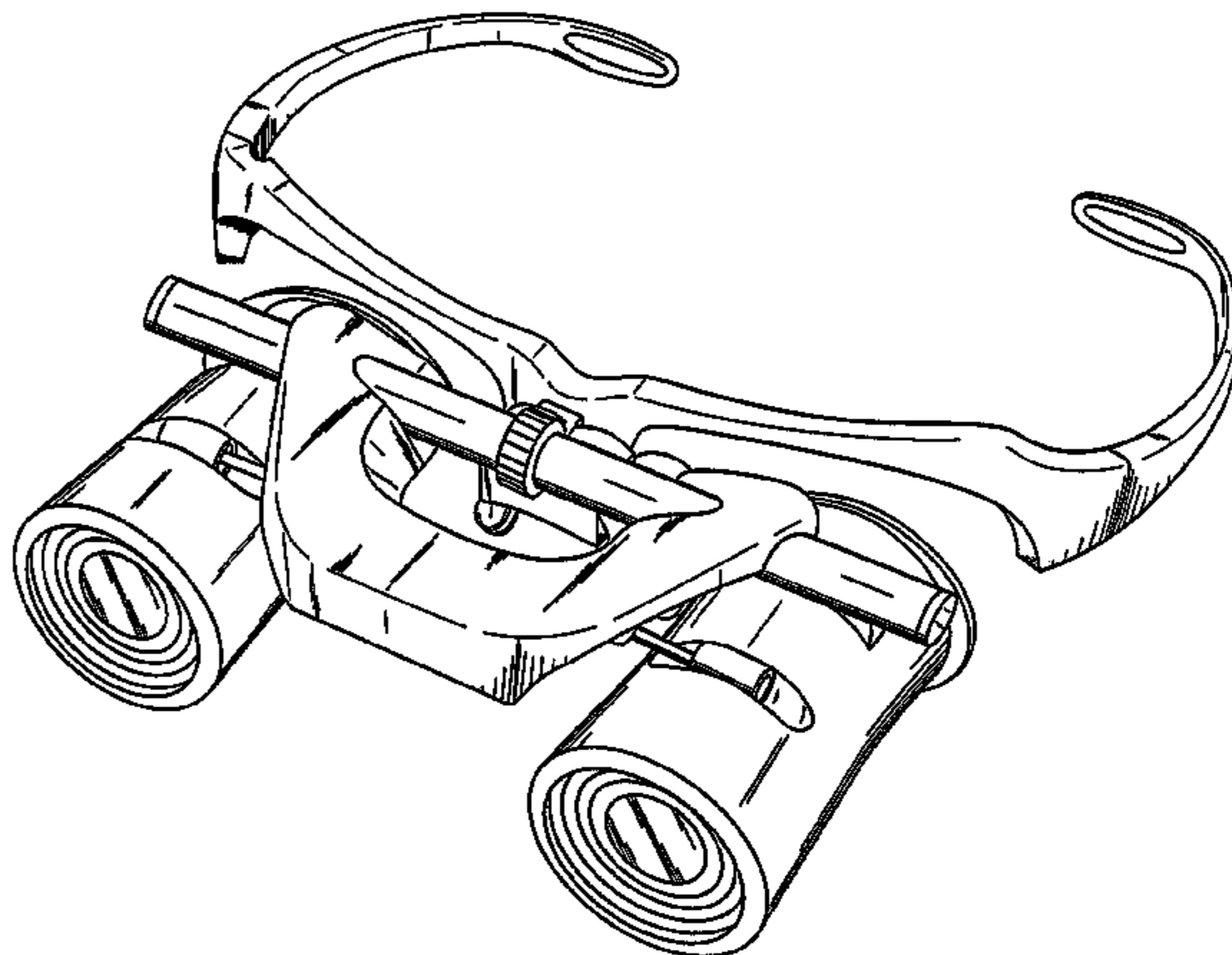
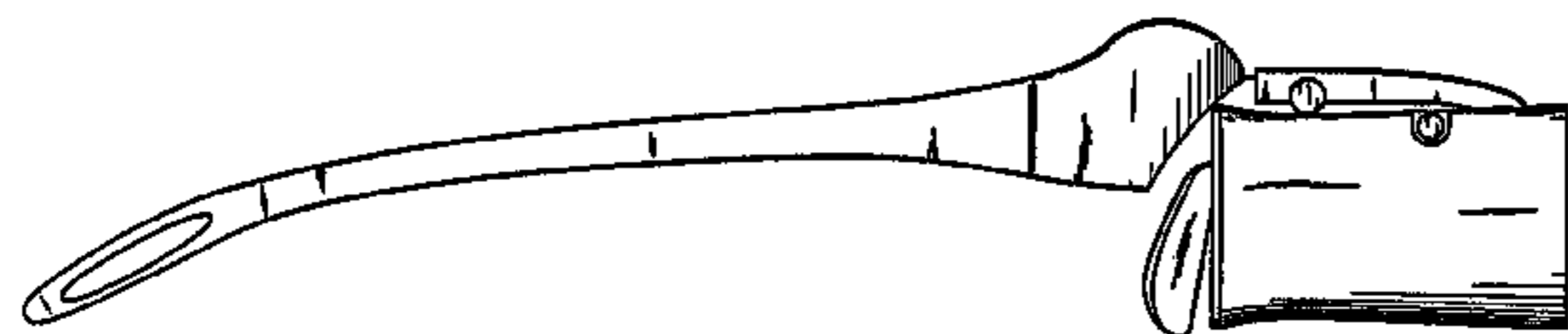
FIG. 3 is a left side view thereof, the right side is a mirror image;

FIG. 4 is a top view thereof;

FIG. 5 is a bottom view thereof; and,

FIG. 6 is a perspective view thereof.

1 Claim, 4 Drawing Sheets



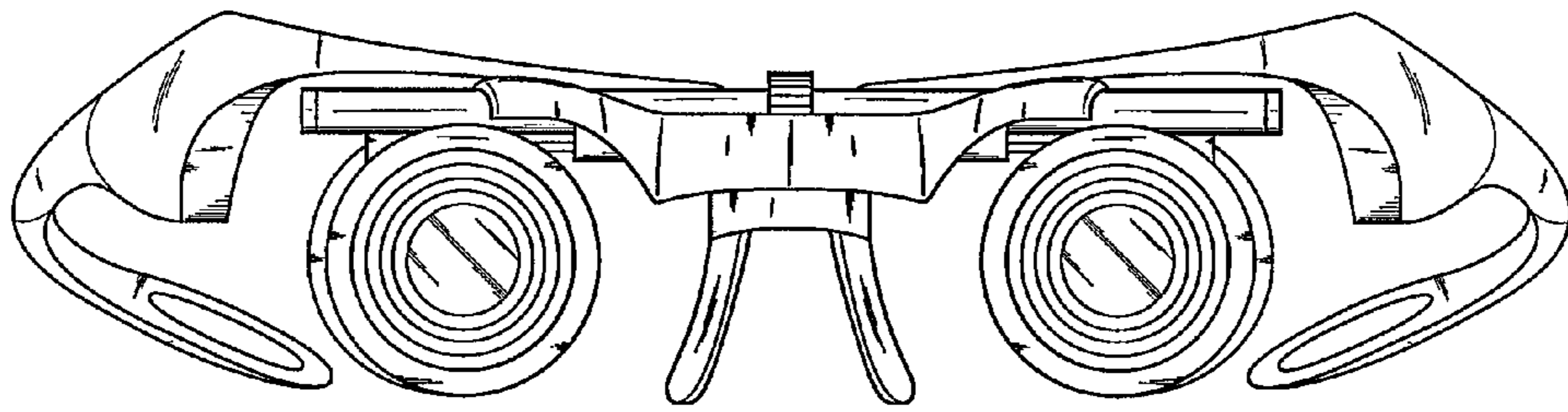


FIG. 1

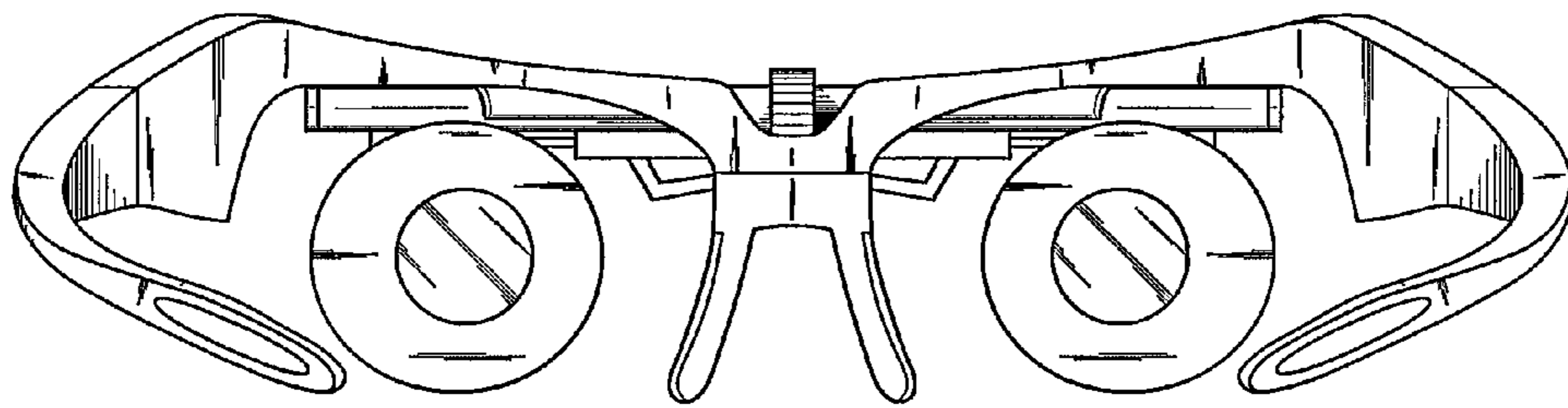


FIG. 2

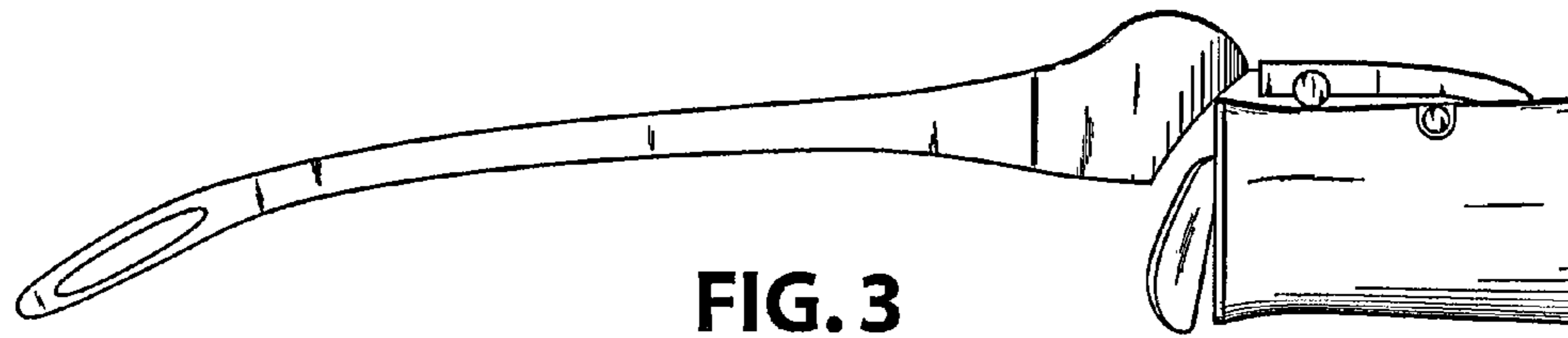


FIG. 3

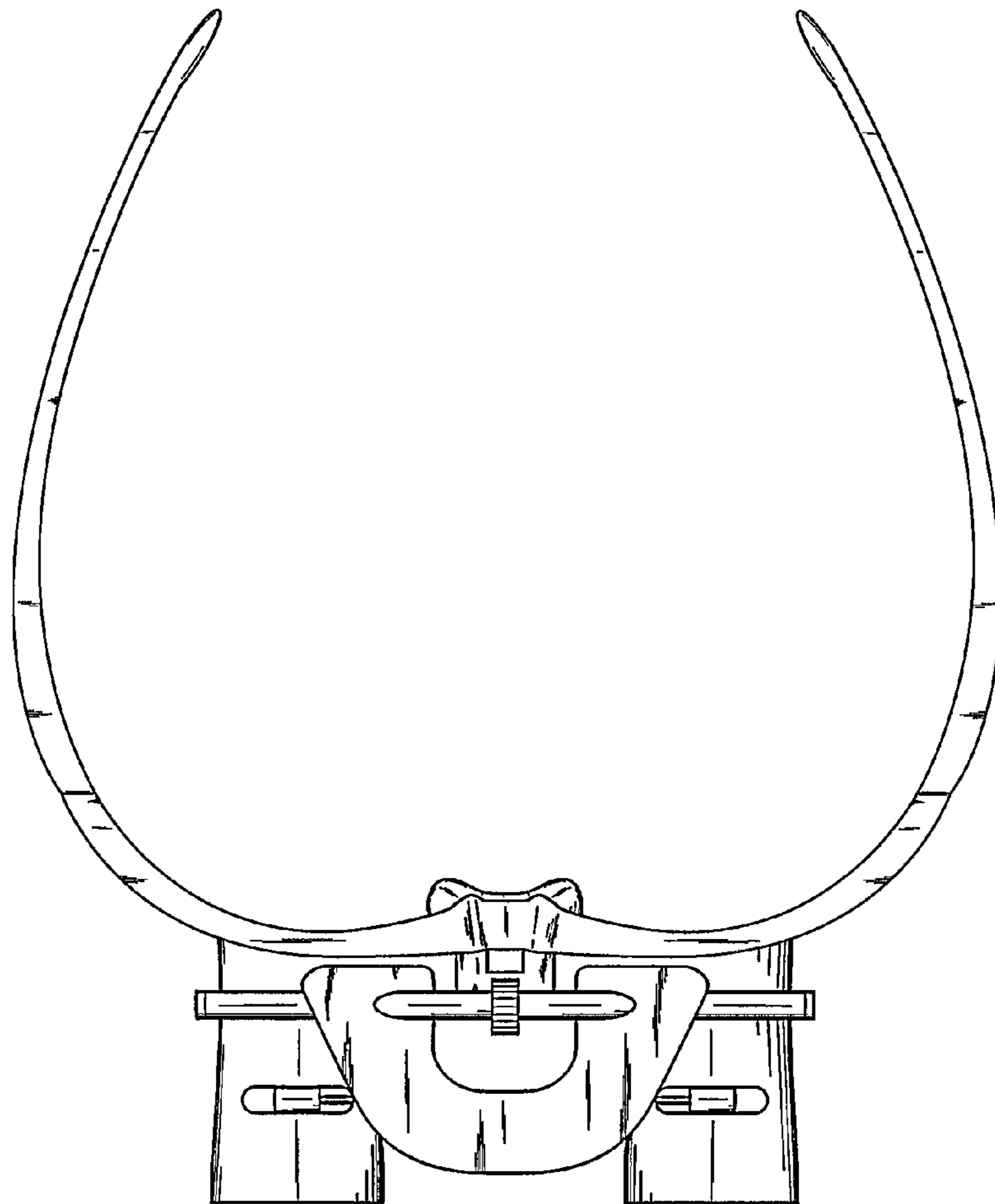


FIG. 4

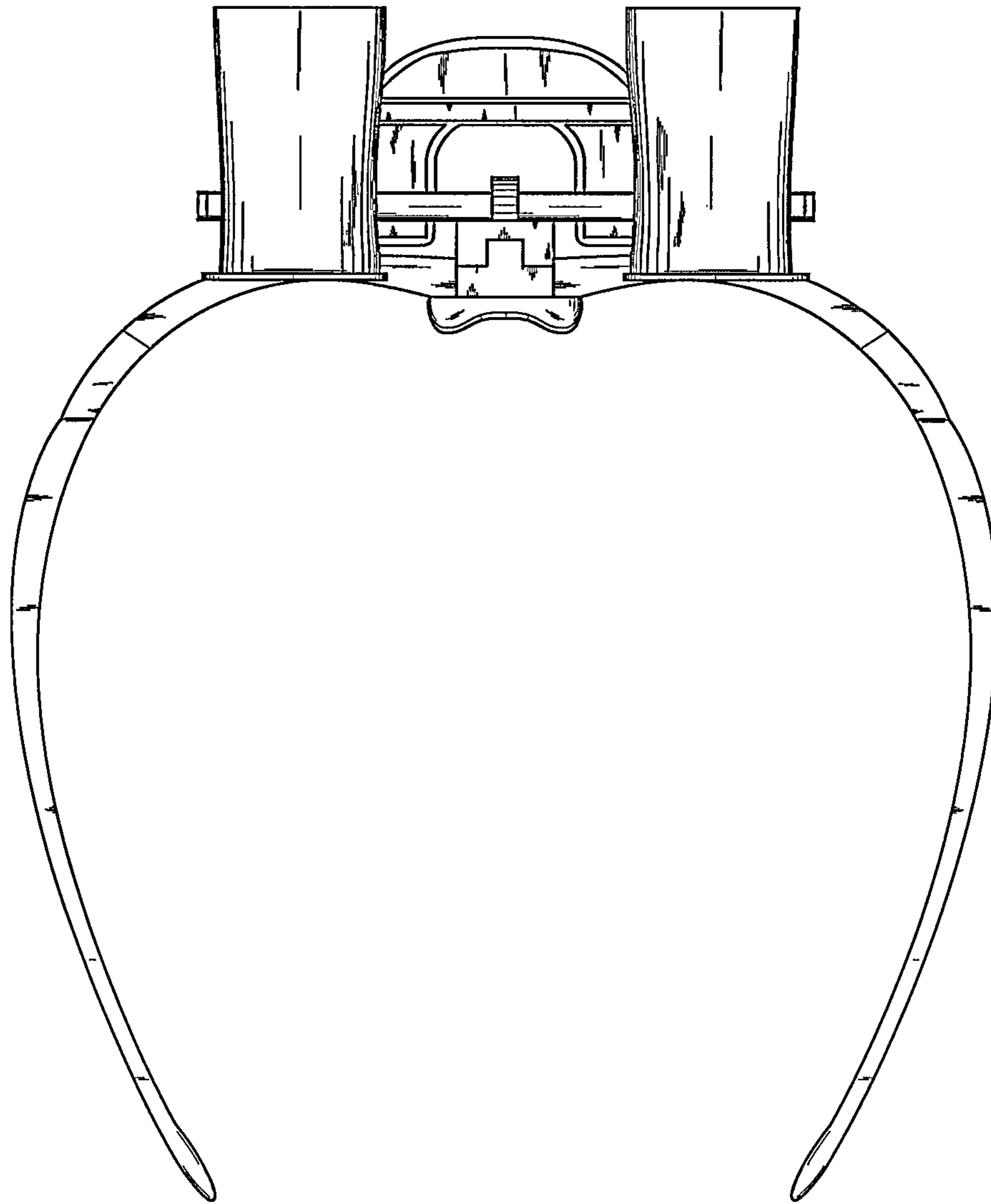


FIG. 5

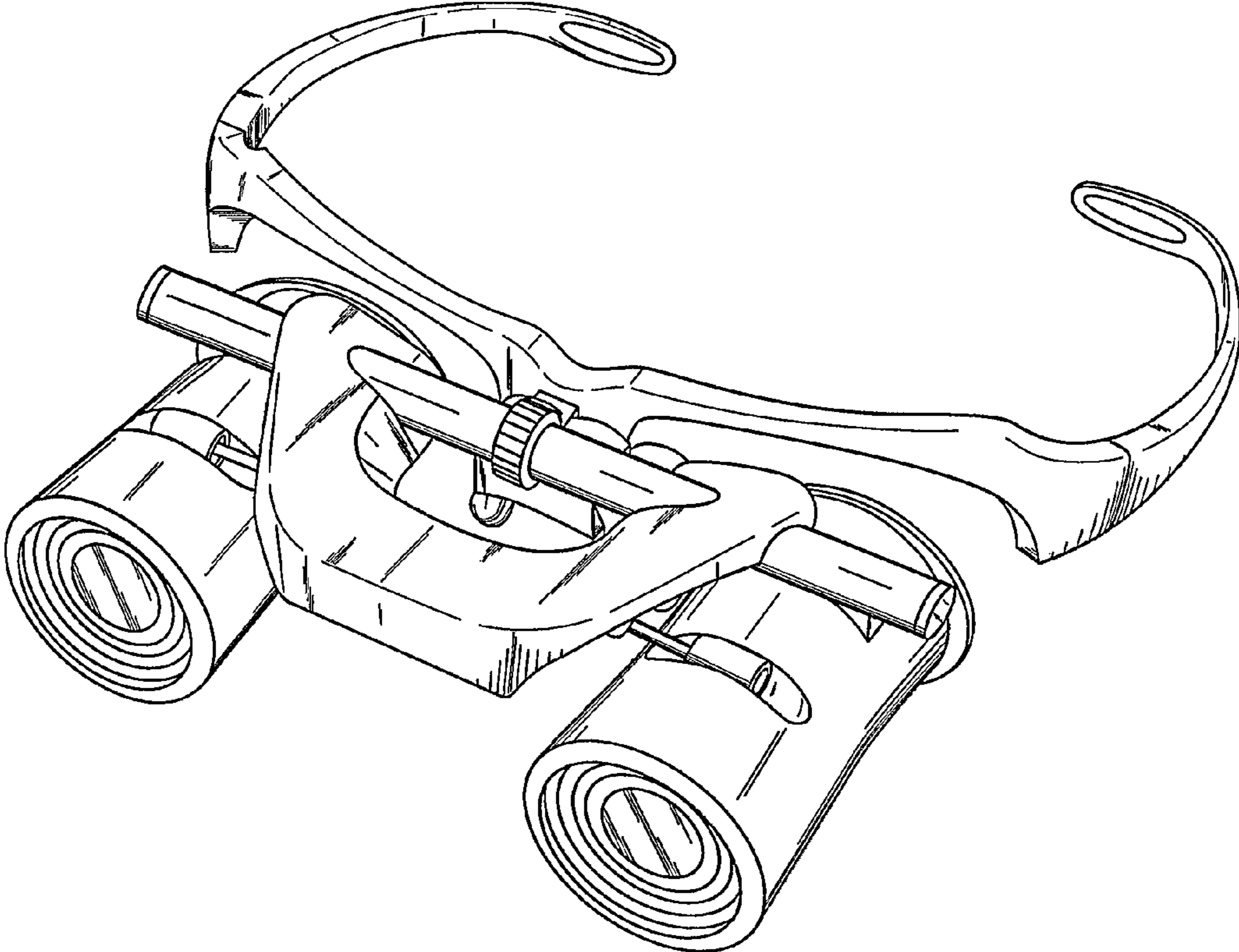


FIG. 6