



US00D703253S

(12) **United States Design Patent**  
**Lannoch**

(10) **Patent No.:** **US D703,253 S**  
(45) **Date of Patent:** **\*\* Apr. 22, 2014**

(54) **GEARBOX**

(71) Applicant: **Sew-Eurodrive GmbH & Co. KG,**  
Bruchsal (DE)

(72) Inventor: **Hans-Jurgen Lannoch,**  
Linkenheim-Hochstetten (DE)

(73) Assignee: **Sew-Eurodrive GmbH & Co. KG,**  
Bruchsal (DE)

(\*\*) Term: **14 Years**

(21) Appl. No.: **29/468,229**

(22) Filed: **Sep. 27, 2013**

(30) **Foreign Application Priority Data**

Mar. 28, 2013 (DE) ..... 40 2013 001 563

(51) **LOC (10) Cl.** ..... **15-09**

(52) **U.S. Cl.**  
USPC ..... **D15/148**

(58) **Field of Classification Search**  
USPC ..... D15/5, 148, 149, 199; 74/395, 395.411,  
74/464, 489, 607; 280/5.5-5.524;  
395/640; 427/249.19; 428/408; 474/82,  
474/144, 146; 475/83, 331-335, 344, 345,  
475/901; 476/42; 477/97; 482/8  
See application file for complete search history.

(56) **References Cited**

**U.S. PATENT DOCUMENTS**

D479,541 S \* 9/2003 Lannoch ..... D15/148  
D497,374 S \* 10/2004 Wittenstein ..... D15/148  
D514,607 S \* 2/2006 Wittenstein ..... D15/148  
7,182,709 B2 \* 2/2007 Christ et al. .... 475/348

D549,259 S \* 8/2007 Wittenstein ..... D15/149  
D598,938 S \* 8/2009 Mijno ..... D15/148  
D618,262 S \* 6/2010 Siegfried ..... D15/148  
D618,263 S \* 6/2010 Siegfried ..... D15/148  
D619,631 S \* 7/2010 Otsuka ..... D15/149  
D673,197 S \* 12/2012 von Hafen ..... D15/148  
D674,828 S \* 1/2013 Andersson ..... D15/148  
D683,775 S \* 6/2013 Farrenkopf ..... D15/148  
D685,404 S \* 7/2013 Andersson ..... D15/148  
D690,339 S \* 9/2013 Sigmund ..... D15/148  
2004/0166986 A1 \* 8/2004 Bayer et al. .... 475/331  
2007/0078037 A1 \* 4/2007 Chang ..... 475/331

\* cited by examiner

*Primary Examiner* — Patricia Palasik

(74) *Attorney, Agent, or Firm* — Finnegan, Henderson,  
Farabow, Garrett & Dunner, LLP

(57) **CLAIM**

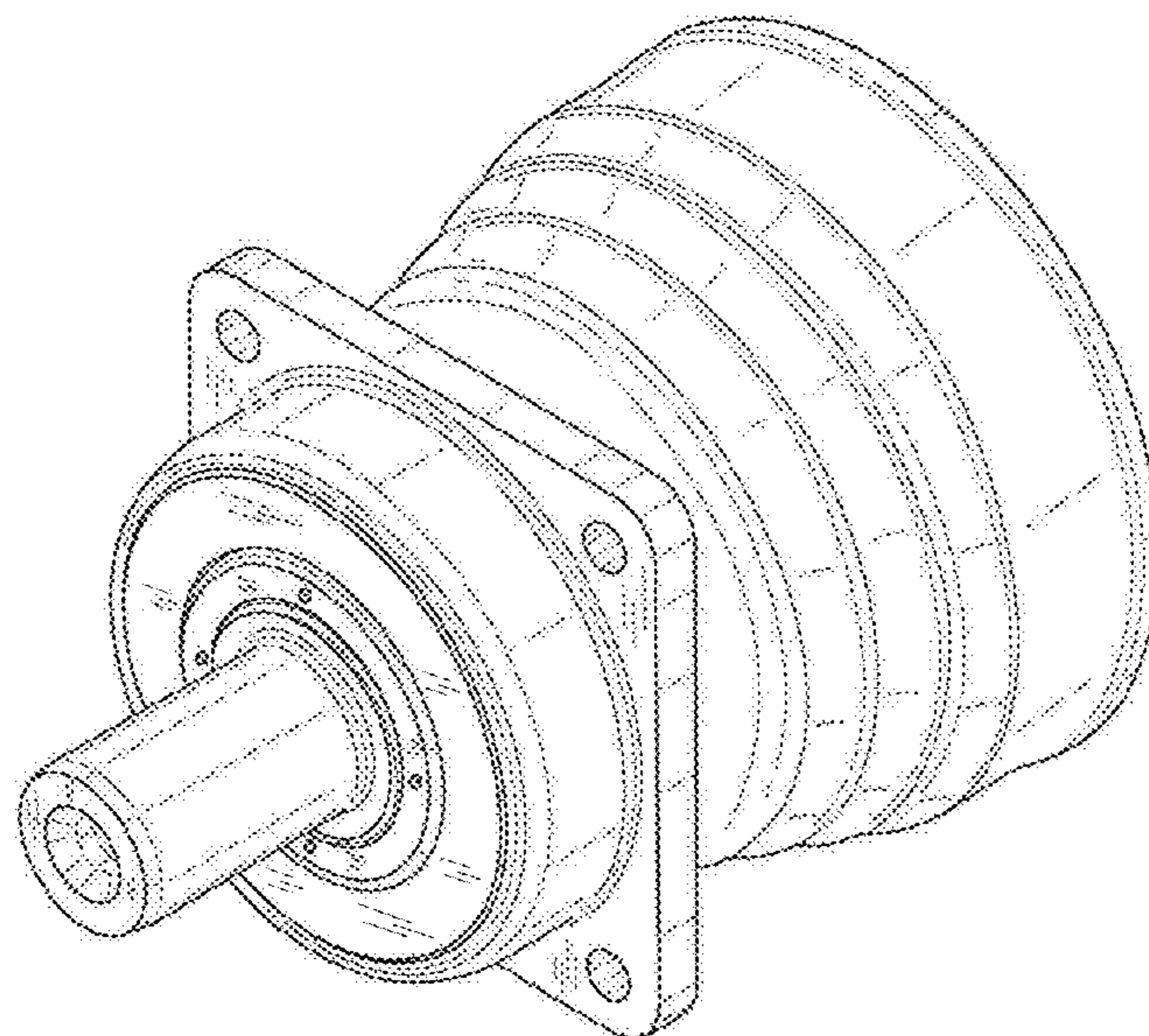
The ornamental design for a gear box, as shown and described.

**DESCRIPTION**

FIG. 1 is a front perspective view of a gear box showing a first embodiment of my new design;  
FIG. 2 is a front view thereof;  
FIG. 3 is a right side view thereof, the left side being a mirror image thereof;  
FIG. 4 is a back view thereof;  
FIG. 5 is a front perspective view of a gear box showing a second embodiment of my new design;  
FIG. 6 is a front view thereof;  
FIG. 7 is a right side view thereof, the left side being a mirror image thereof; and,  
FIG. 8 is a back view thereof.

Any portions depicted in broken lines are environment and form no part of the claimed design.

**1 Claim, 8 Drawing Sheets**



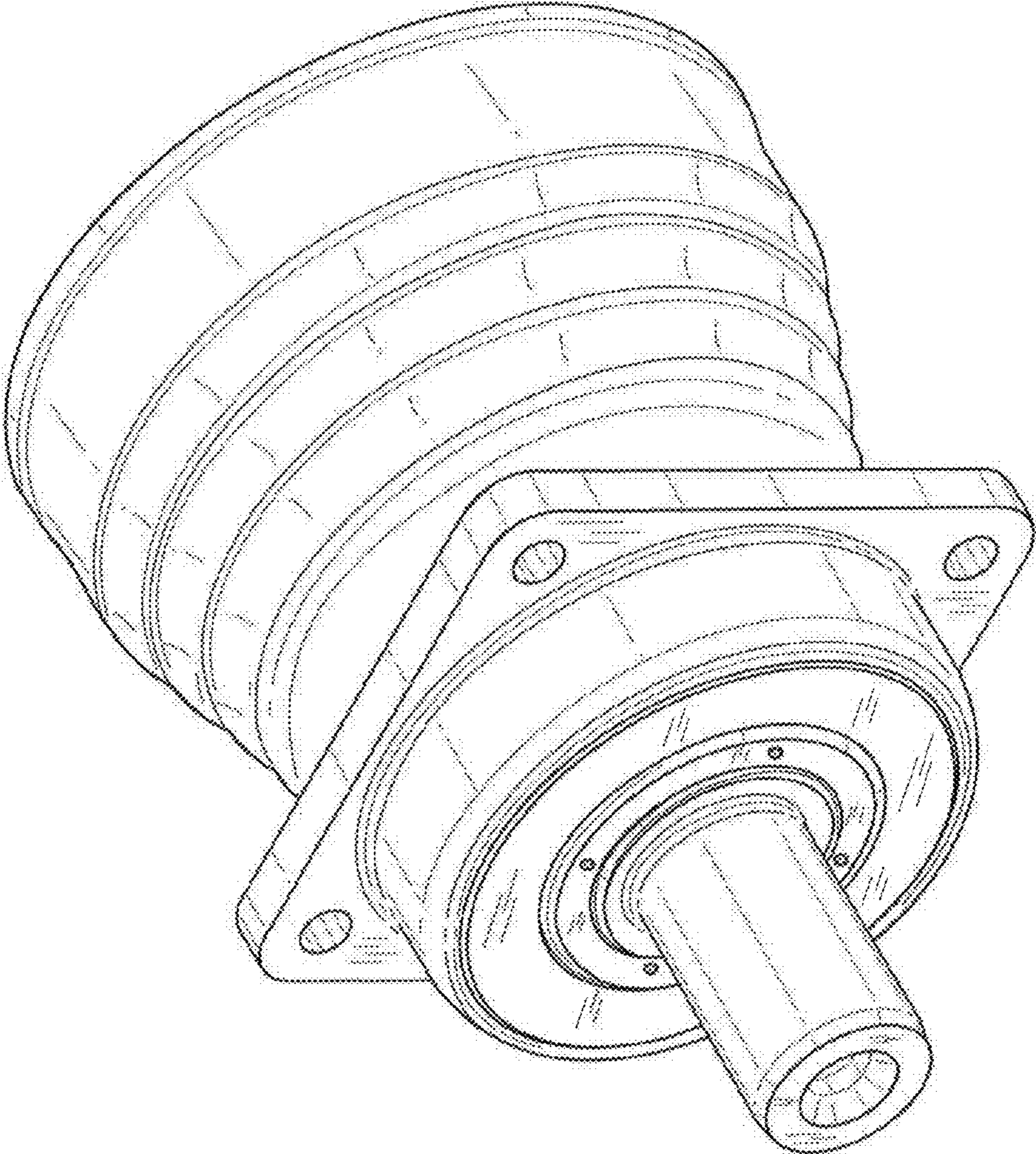
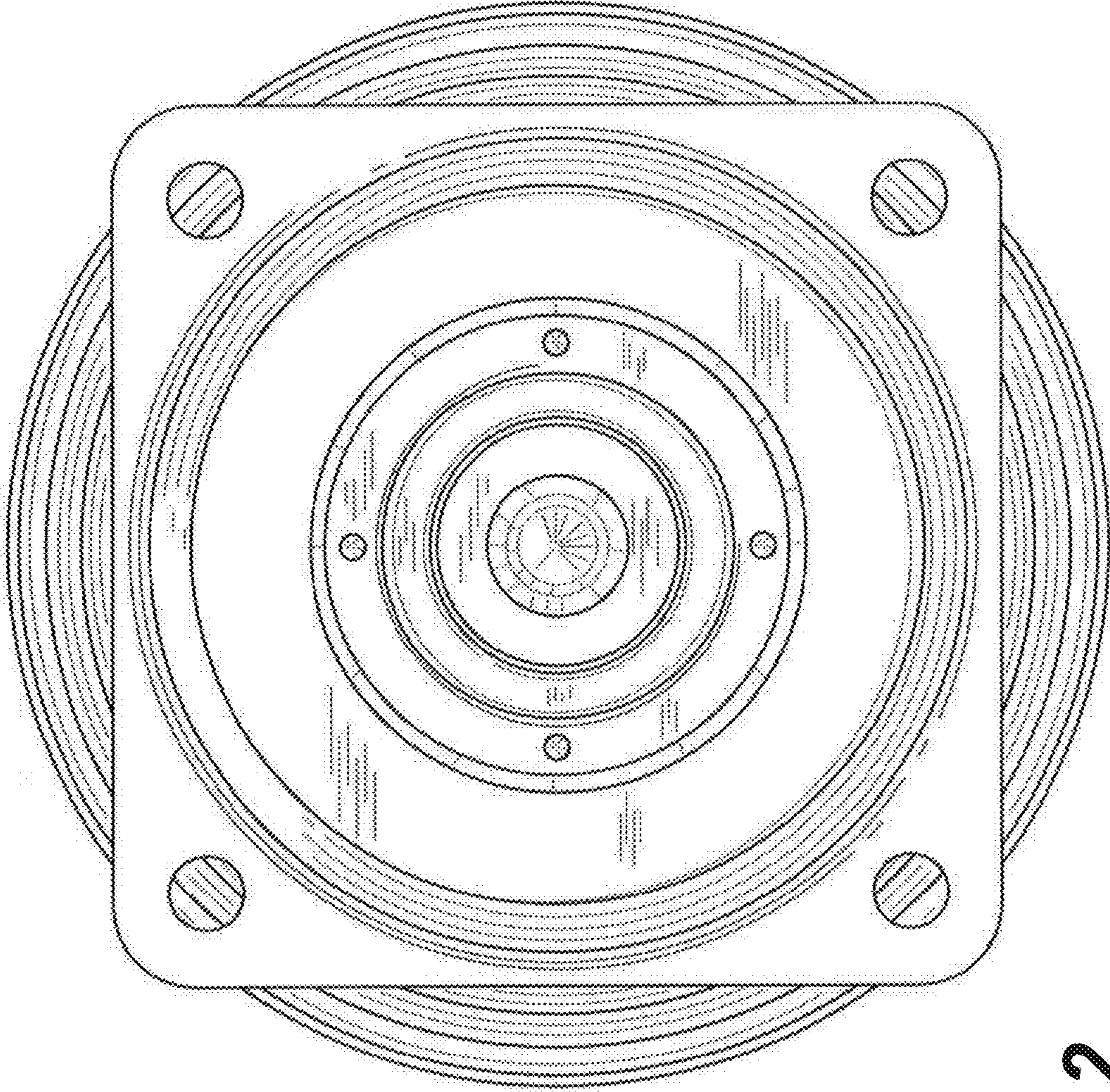
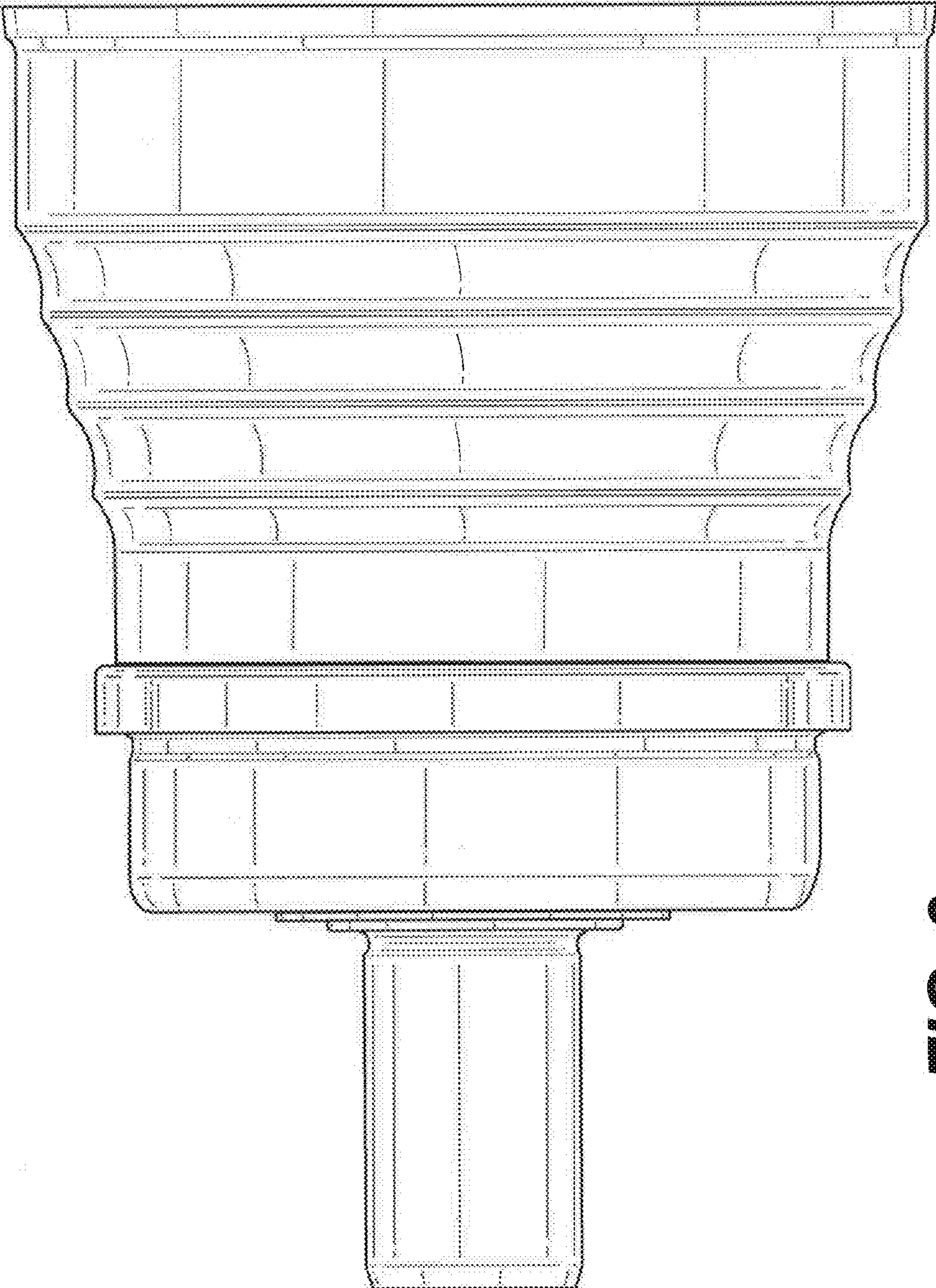


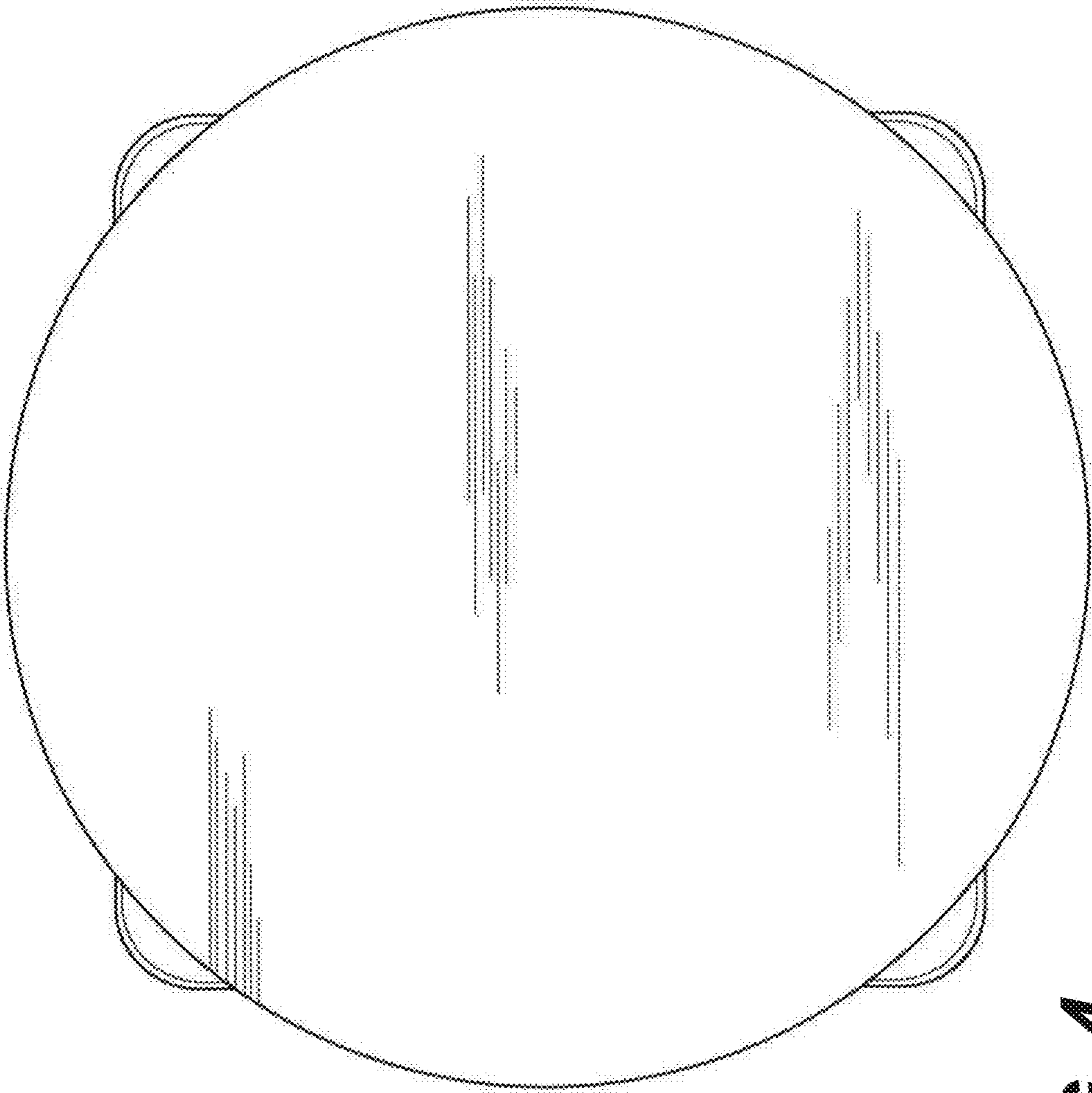
FIG. 1



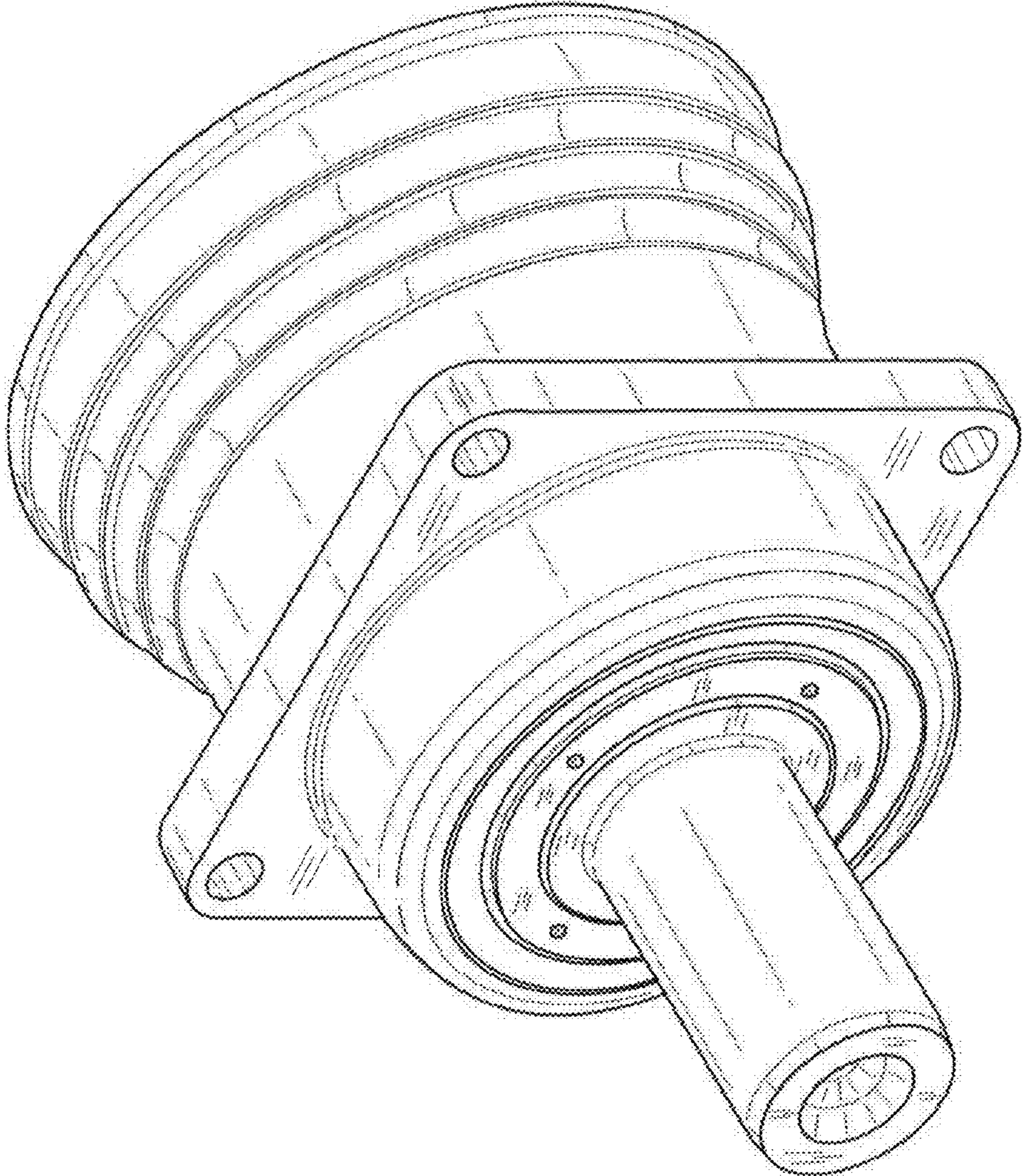
**FIG. 2**



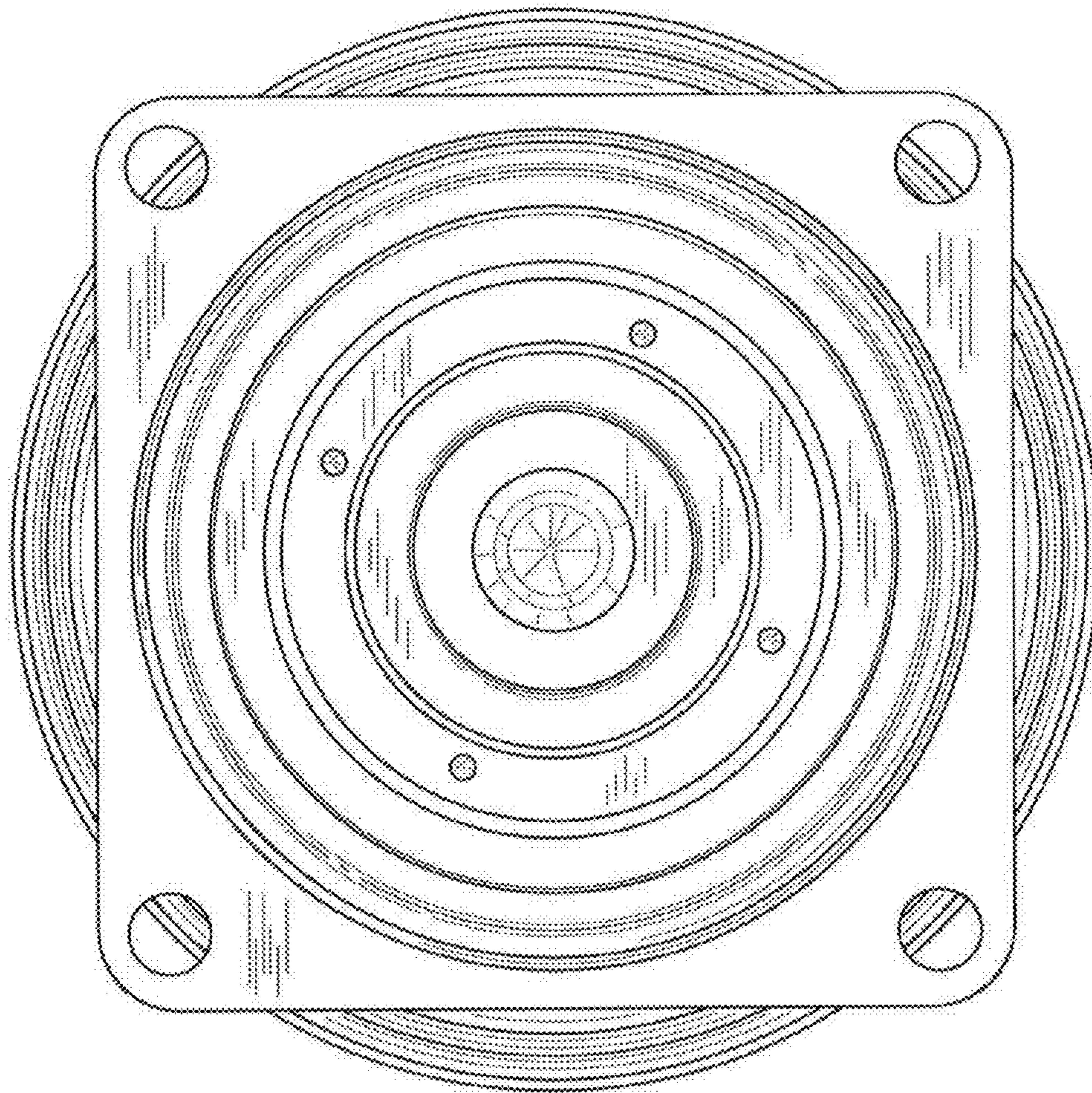
**FIG. 3**



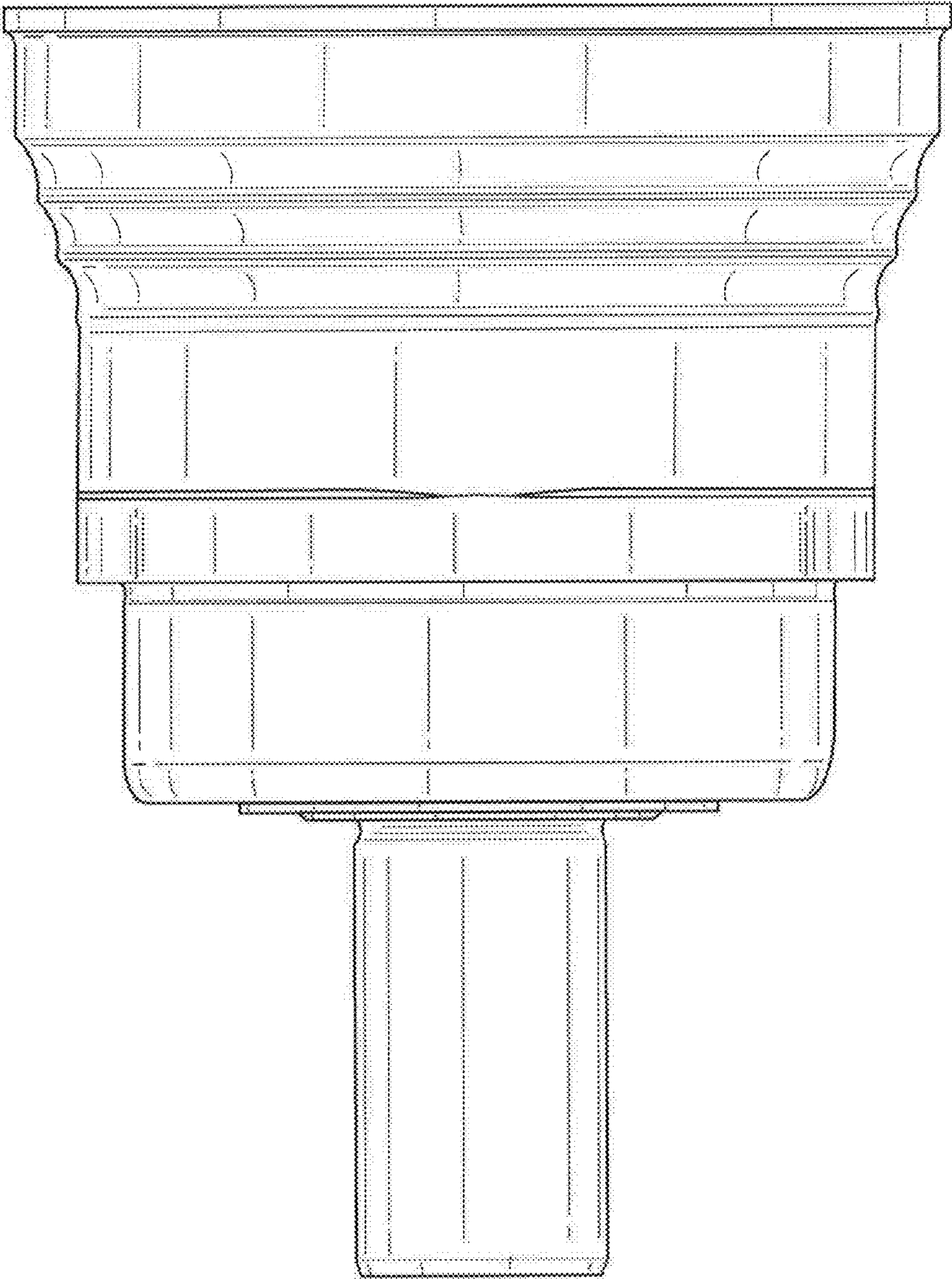
**FIG. 4**



**FIG. 5**

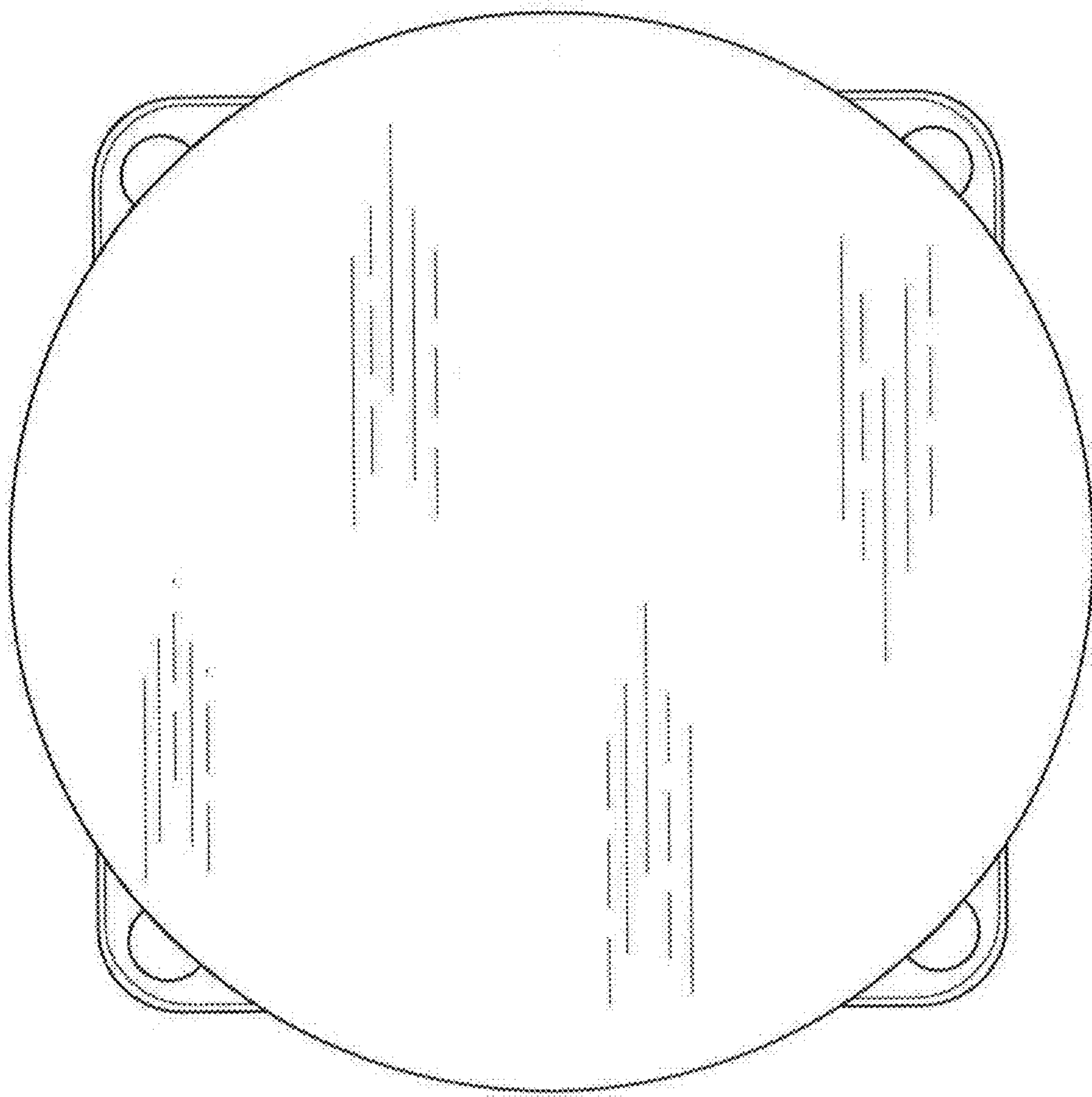


**FIG. 6**



**FIG. 7**





**FIG. 8**

UNITED STATES PATENT AND TRADEMARK OFFICE  
**CERTIFICATE OF CORRECTION**

PATENT NO. : D703,253 S  
APPLICATION NO. : 29/468229  
DATED : April 22, 2014  
INVENTOR(S) : Hans-Jurgen Lannoch

Page 1 of 1

It is certified that error appears in the above-identified patent and that said Letters Patent is hereby corrected as shown below:

On the title page, item (30) Foreign Application Priority Data:

“40 2013 001 563” should read -- 40 2013 001 563.9 --.

Signed and Sealed this  
Twenty-fourth Day of June, 2014



Michelle K. Lee  
*Deputy Director of the United States Patent and Trademark Office*