



US00D703251S

(12) **United States Design Patent**
Raboin et al.

(10) **Patent No.:** **US D703,251 S**
(45) **Date of Patent:** **** Apr. 22, 2014**

- (54) **TORCH**
- (71) Applicants: **Ronald K. Raboin**, DePere, WI (US);
Jody A. McKinley, Mount Vernon, OH (US)
- (72) Inventors: **Ronald K. Raboin**, DePere, WI (US);
Jody A. McKinley, Mount Vernon, OH (US)
- (73) Assignee: **Worthington Cylinder Corporation**,
Columbus, OH (US)
- (**) Term: **14 Years**
- (21) Appl. No.: **29/450,060**
- (22) Filed: **Mar. 15, 2013**
- (51) **LOC (10) Cl.** **15-09**
- (52) **U.S. Cl.**
USPC **D15/144.2; D8/30**
- (58) **Field of Classification Search**
USPC D8/29.1, 29.2, 30, 54; D15/144, 144.1,
D15/144.2; 219/70, 138, 139, 140, 141,
219/142, 143, 144; 431/153, 255, 266, 344,
431/345, 353
See application file for complete search history.

- D382,500 S * 8/1997 Johnson et al. D10/96
- D407,727 S * 4/1999 Kunz D15/144
- 6,225,599 B1 * 5/2001 Altekruze 219/137.31
- D456,428 S * 4/2002 Aronson et al. D15/144
- D465,978 S 11/2002 Miyanaga
- D477,507 S 7/2003 Lin
- D481,598 S 11/2003 Lin
- D486,368 S 2/2004 Jones et al.
- D488,968 S 4/2004 Kinerson et al.
- D489,235 S 5/2004 Hewett et al.
- 6,815,641 B2 * 11/2004 Doherty 219/137.31
- D502,716 S 3/2005 Ridley et al.
- D514,606 S * 2/2006 Picaza D15/144.2
- D519,800 S 5/2006 Glover
- D537,092 S * 2/2007 Owens D15/144
- 7,244,909 B2 * 7/2007 Kensrue et al. 219/137.31
- D555,446 S * 11/2007 Picaza Ibarrodo D8/30
- D578,849 S * 10/2008 Whited et al. D8/30
- D587,975 S * 3/2009 Aronson et al. D8/29.1
- D594,300 S * 6/2009 Picaza Ibarrodo D8/29.1
- D615,573 S * 5/2010 Peters et al. D15/144
- D638,270 S 5/2011 Flattinger et al.
- 2010/0012637 A1 * 1/2010 Jaeger 219/136

* cited by examiner

Primary Examiner — Patricia Palasik
(74) *Attorney, Agent, or Firm* — Hasse & Nesbitt LLC; W. Charles Ehlers; Daniel F. Nesbitt

(57) **CLAIM**
We claim the ornamental design for a torch, as shown and described.

(56) **References Cited**

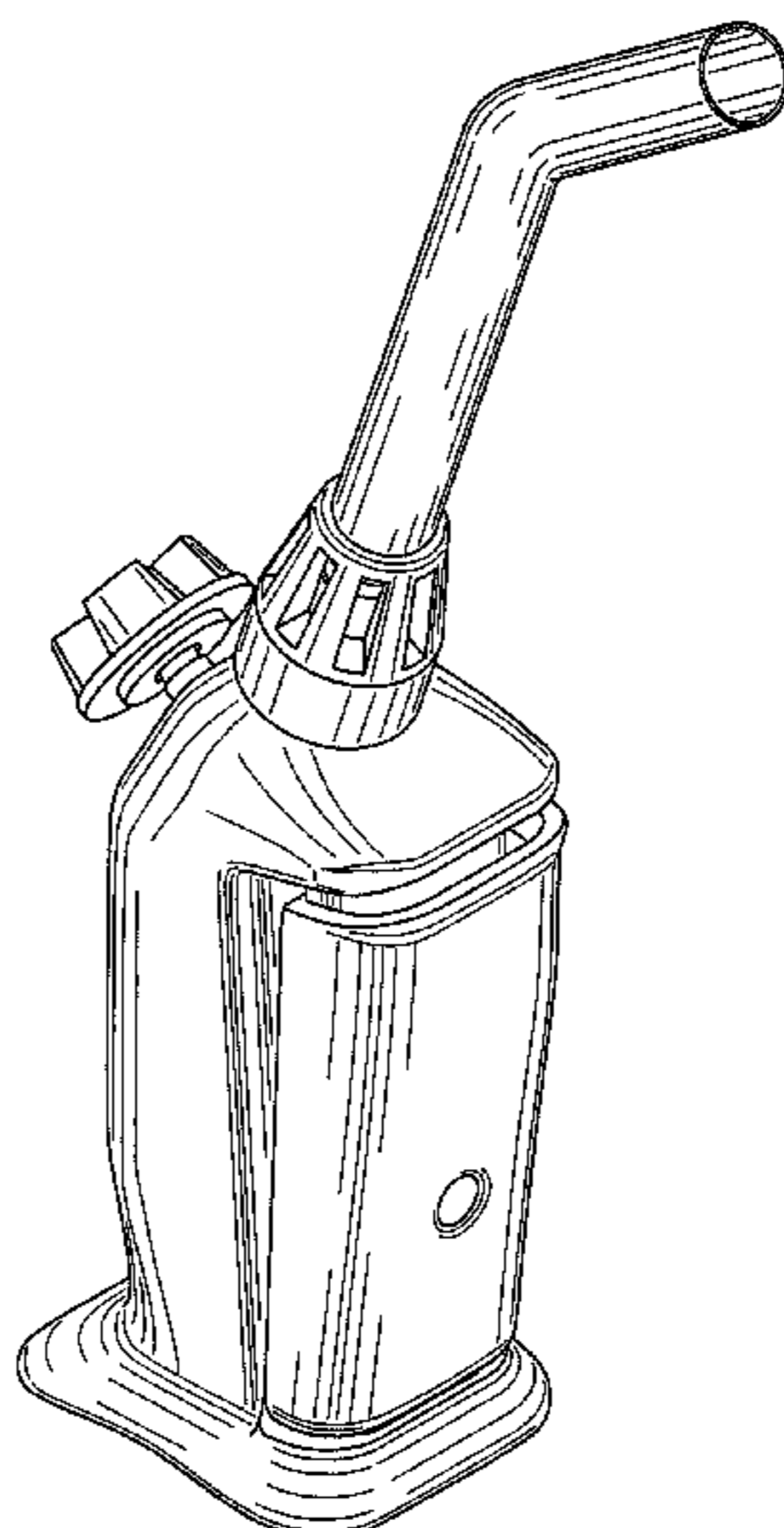
U.S. PATENT DOCUMENTS

- 3,574,506 A * 4/1971 Locke 431/349
- D248,083 S 6/1978 Zagara et al.
- D259,851 S 7/1981 Audemars et al.
- D264,301 S * 5/1982 Miller D8/30
- D296,862 S 7/1988 Beltz
- D297,704 S * 9/1988 Bulow D15/144
- D299,000 S 12/1988 Yoshinaga
- D304,151 S 10/1989 Chapin et al.
- D328,694 S 8/1992 Courrage
- D329,971 S * 10/1992 Pryor D8/30
- D335,804 S * 5/1993 Burgin D8/30
- D343,629 S * 1/1994 Bode D15/144
- D346,390 S * 4/1994 Sperling et al. D15/144

DESCRIPTION

FIG. 1 is a top perspective view of the torch;
FIG. 2 is a front elevational view thereof;
FIG. 3 is a back elevational view thereof;
FIG. 4 is a left side elevational view thereof;
FIG. 5 is a right side elevational view thereof;
FIG. 6 is a top plan view thereof; and,
FIG. 7 is a bottom plan view thereof.
The broken lines shown in the drawings are for illustrative purposes only and form no part of the claimed design.

1 Claim, 5 Drawing Sheets



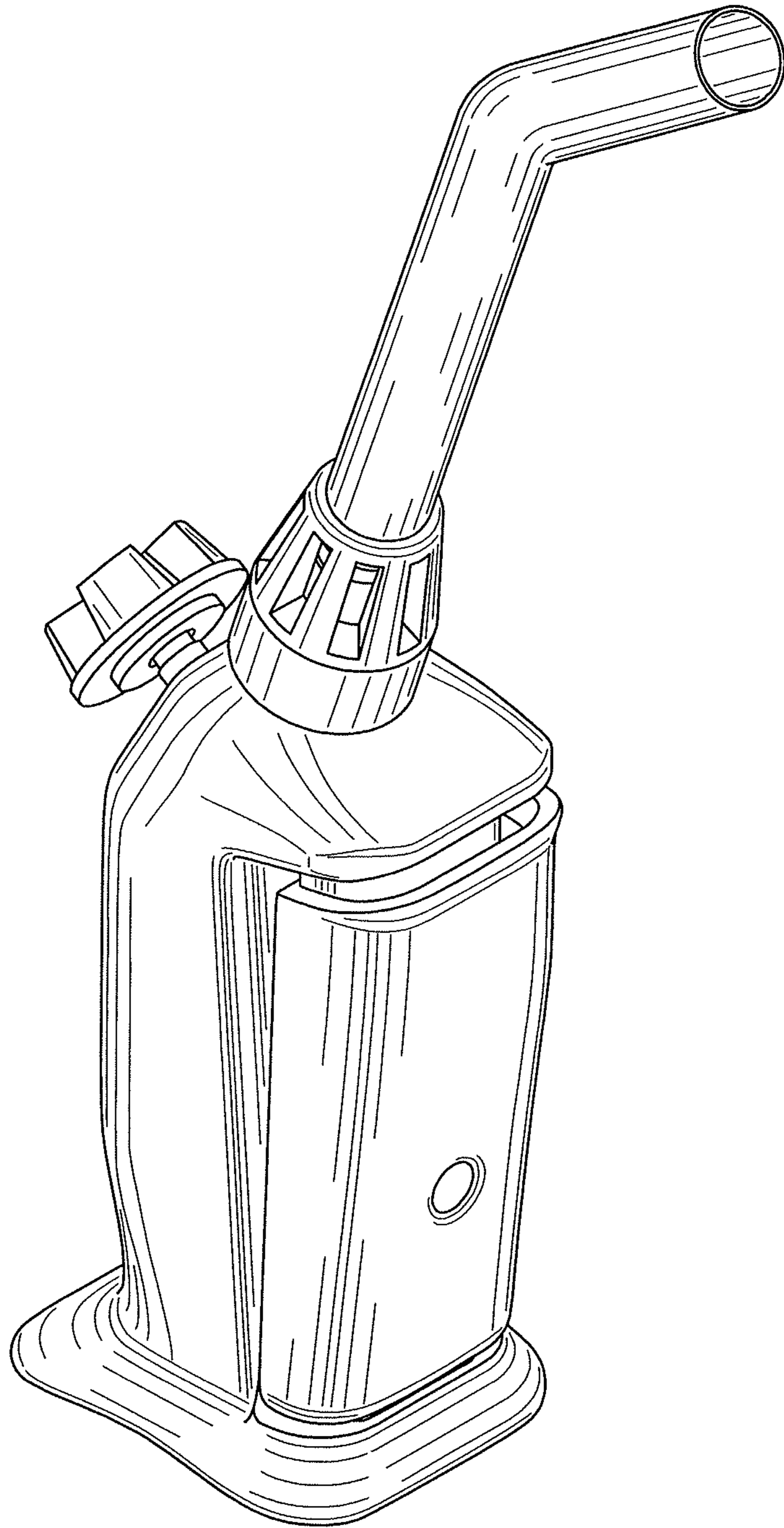


FIG. 1

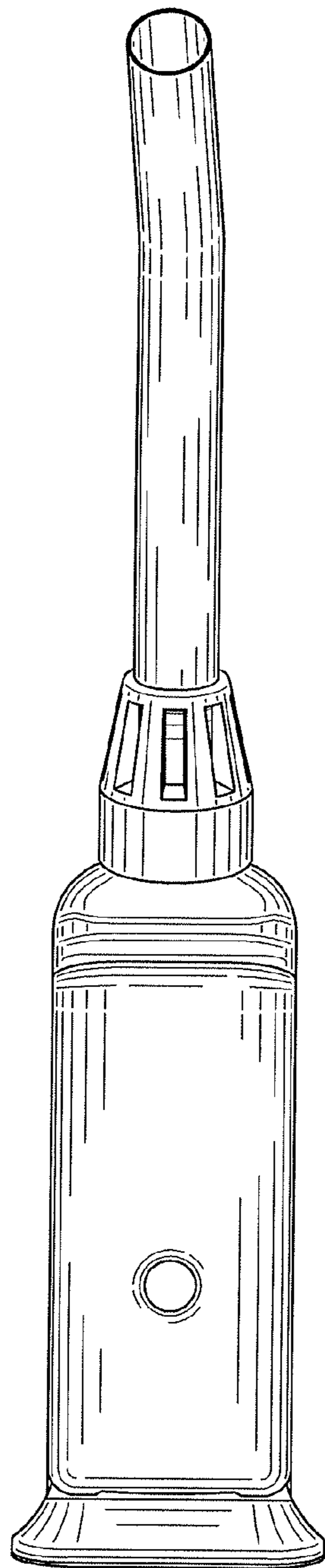


FIG. 2

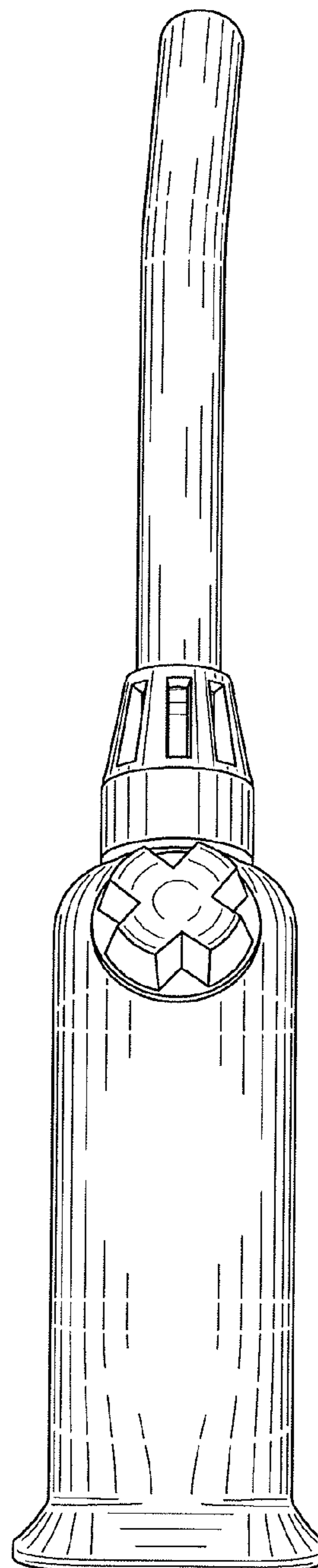


FIG. 3

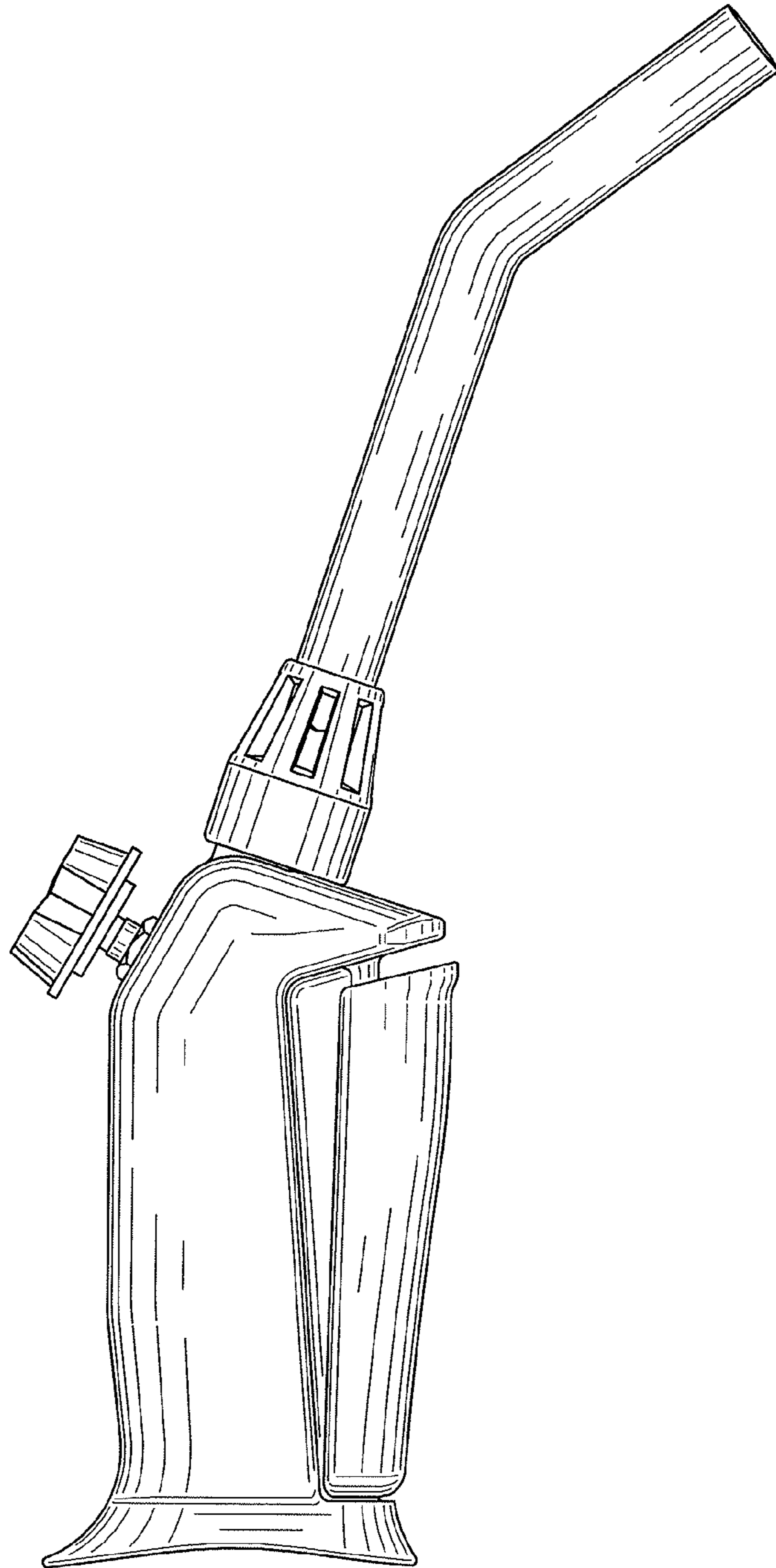


FIG. 4

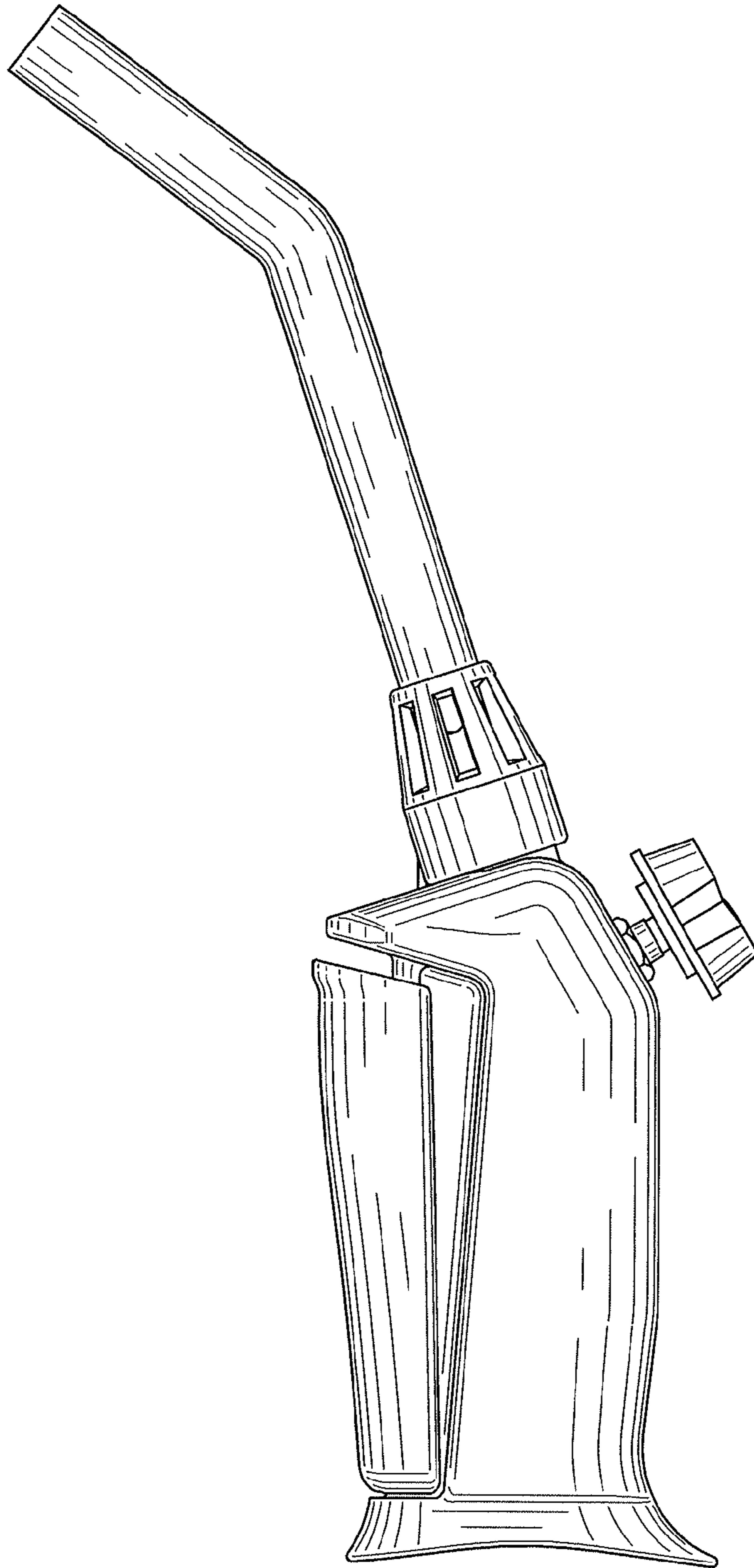


FIG. 5

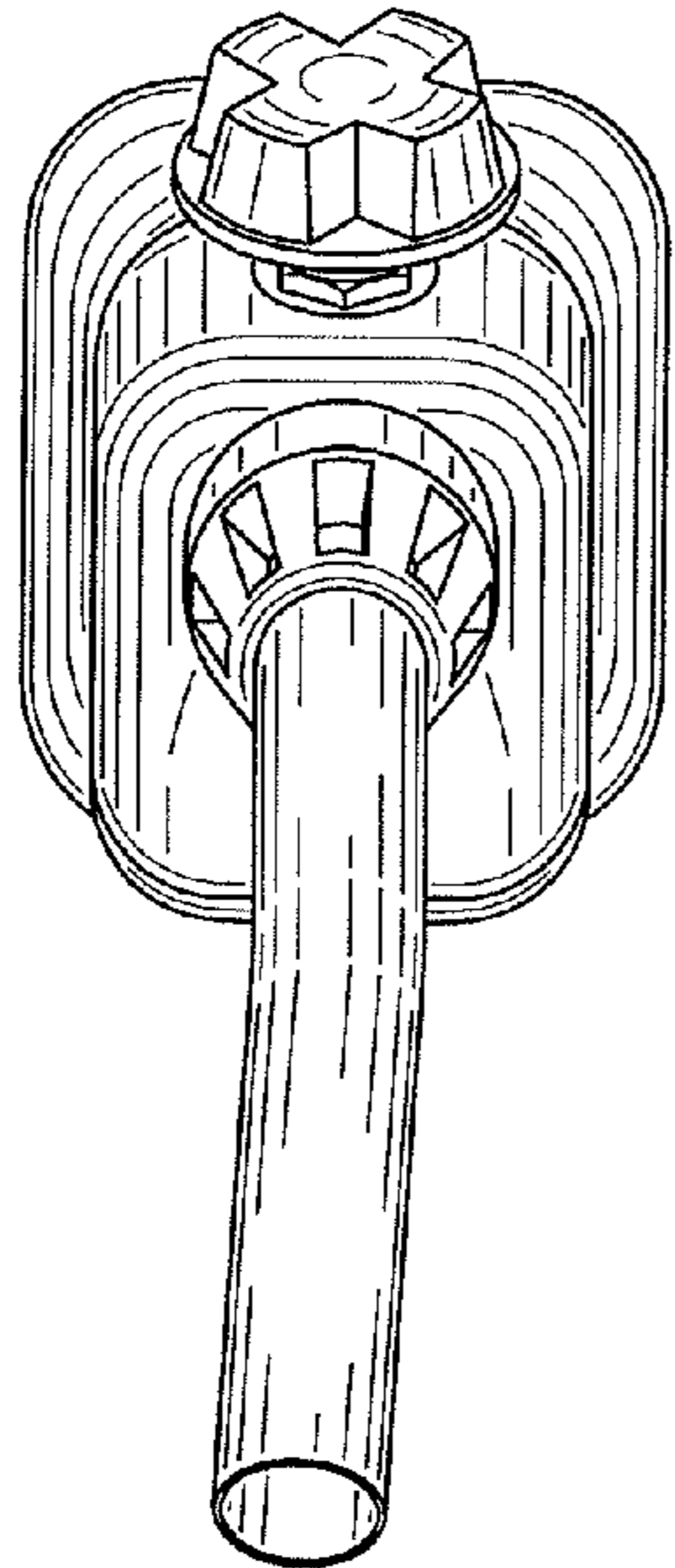


FIG. 6



FIG. 7