



US00D703246S

(12) **United States Design Patent**
Pettersson et al.

(10) **Patent No.:** **US D703,246 S**
(45) **Date of Patent:** **** Apr. 22, 2014**

(54) **CONVERTING MACHINE**

FOREIGN PATENT DOCUMENTS

(75) Inventors: **Niklas Pettersson**, Sandy, UT (US);
Ryan Osterhout, West Haven, UT (US)

EP 1497049 3/2010
WO 2010091043 8/2010
WO 2011135433 11/2011

(73) Assignee: **Packsize LLC**, Salt Lake City, UT (US)

OTHER PUBLICATIONS

(**) Term: **14 Years**

International Search Report for PCT/US2012/064414 dated Jan. 25, 2013.

(21) Appl. No.: **29/419,922**

Written Opinion for PCT/US2012/064414 dated Jan. 25, 2013.

(22) Filed: **May 2, 2012**

International Search Report for PCT/US2012/064403 dated Apr. 8, 2013.

(51) **LOC (10) Cl.** **15-09**

Written Opinion for PCT/US2012/064403 dated Apr. 8, 2013.

(52) **U.S. Cl.**

* cited by examiner

USPC **D15/122**

Primary Examiner — Patricia Palasik

(58) **Field of Classification Search**

(74) *Attorney, Agent, or Firm* — Workman Nydegger

USPC D15/122, 199; 83/343, 811, 817, 818;
101/248; 156/304.1, 304.3, 502, 504,
156/505, 507; 242/56.3, 521, 526.1, 527.5,
242/532.3, 533.4, 540, 548, 906; 493/424,
493/344, 411, 430, 442, 454

(57) **CLAIM**

The ornamental design for a converting machine, as shown and described.

See application file for complete search history.

DESCRIPTION

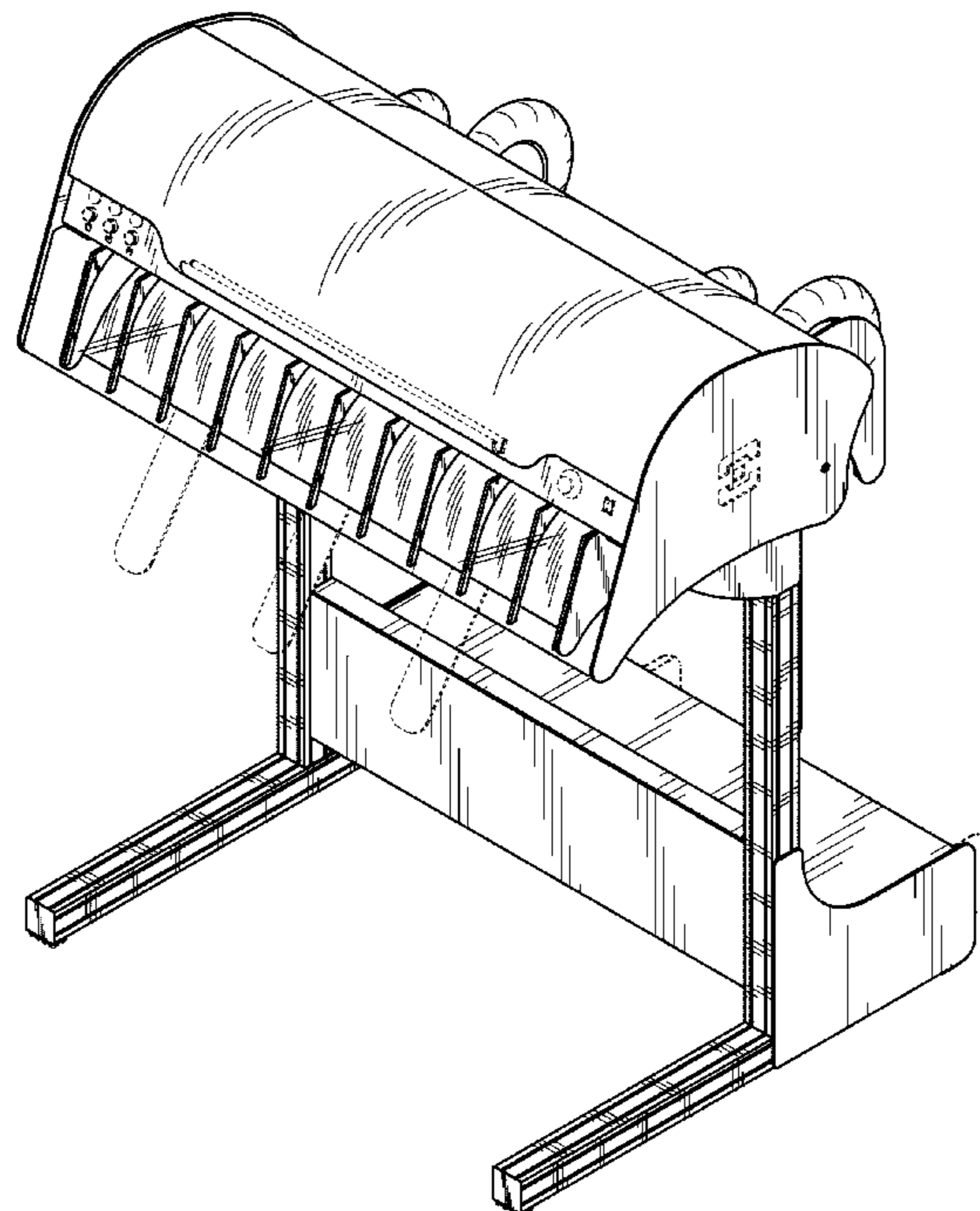
(56) **References Cited**

FIG. 1 illustrates a perspective view of an exemplary embodiment of a converting machine of the present invention; FIG. 2 is a front view of the converting machine of FIG. 1; FIG. 3 is a back view of the converting machine of FIG. 1; FIG. 4 is a right side view of the converting machine of FIG. 1; FIG. 5 is a left side view of the converting machine of FIG. 1; FIG. 6 is a top view of the converting machine of FIG. 1; and, FIG. 7 is a bottom view of the converting machine of FIG. 1. The broken lines in the drawings depict unclaimed environmental subject matter.

U.S. PATENT DOCUMENTS

2,256,082	A *	9/1941	Feurt	242/521
2,798,582	A *	7/1957	Monroe et al.	192/127
3,303,759	A *	2/1967	Burke	493/465
4,052,048	A	10/1977	Shirasaka	
4,375,970	A *	3/1983	Murphy et al.	493/337
4,695,006	A *	9/1987	Pool	242/525.2
6,397,557	B1	6/2002	Bassissi	
2002/0091050	A1	7/2002	Bacciottini	
2010/0041534	A1	2/2010	Harding	
2011/0026999	A1	2/2011	Kohira	

1 Claim, 7 Drawing Sheets



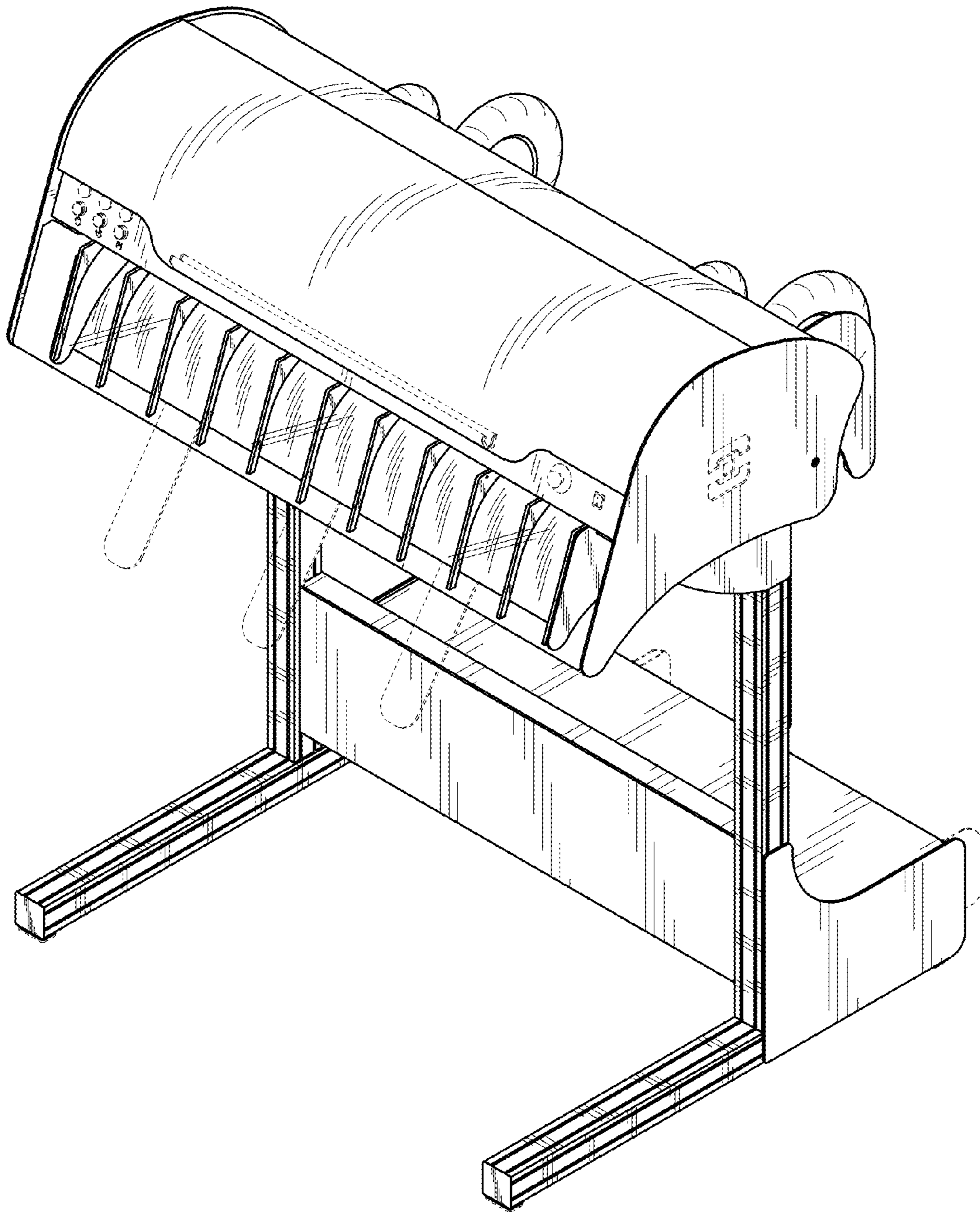


FIG. 1

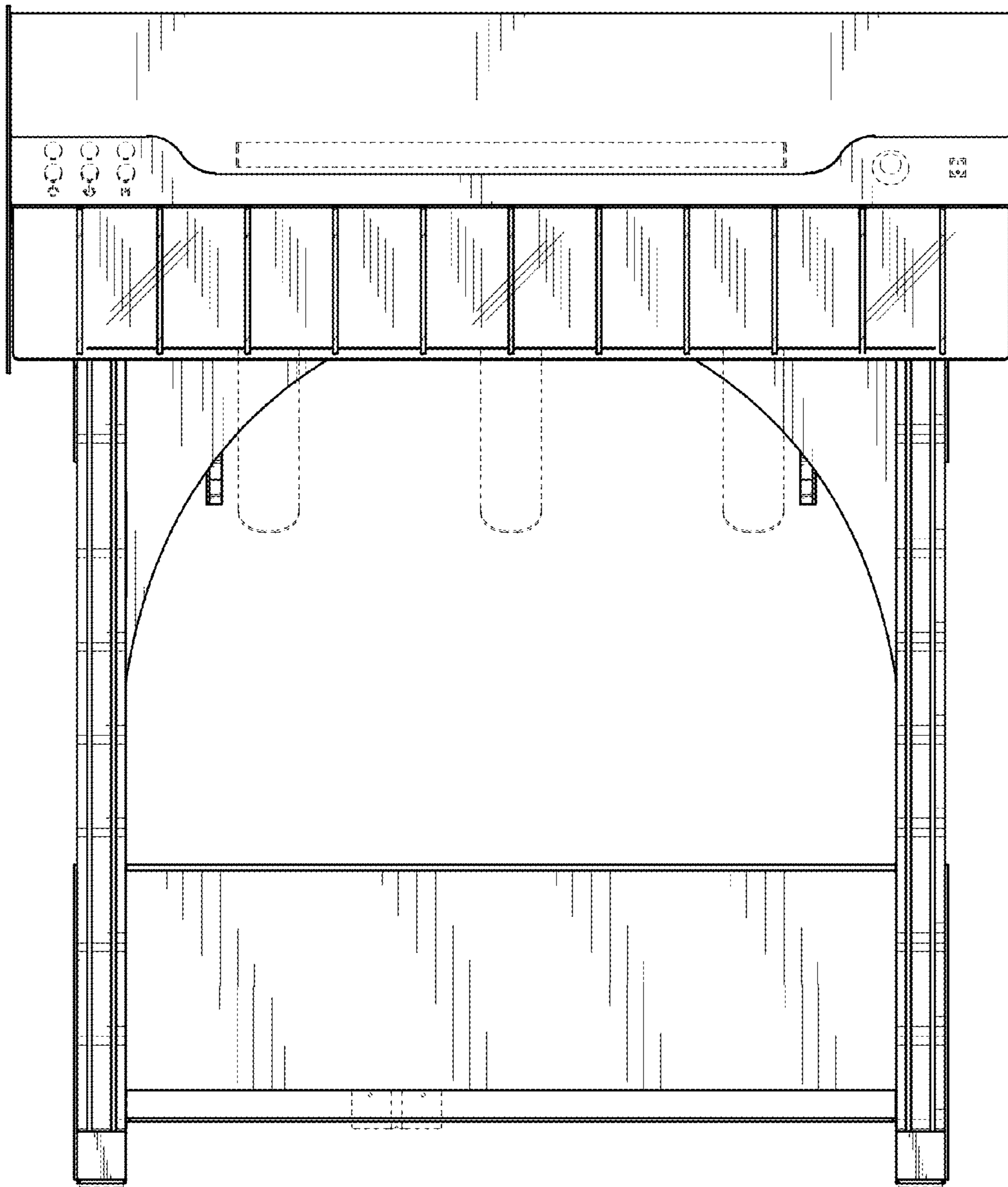


FIG. 2

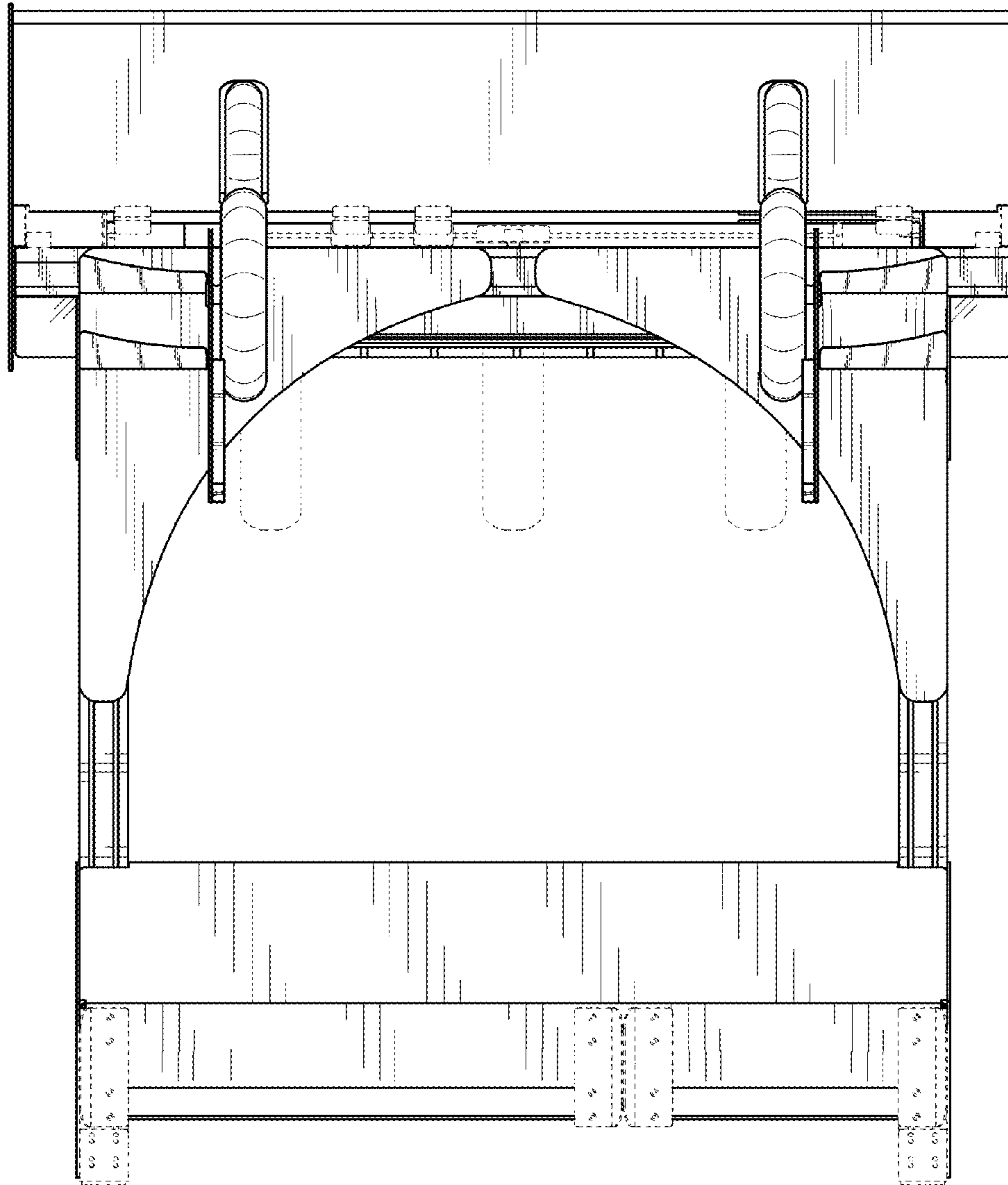


FIG. 3

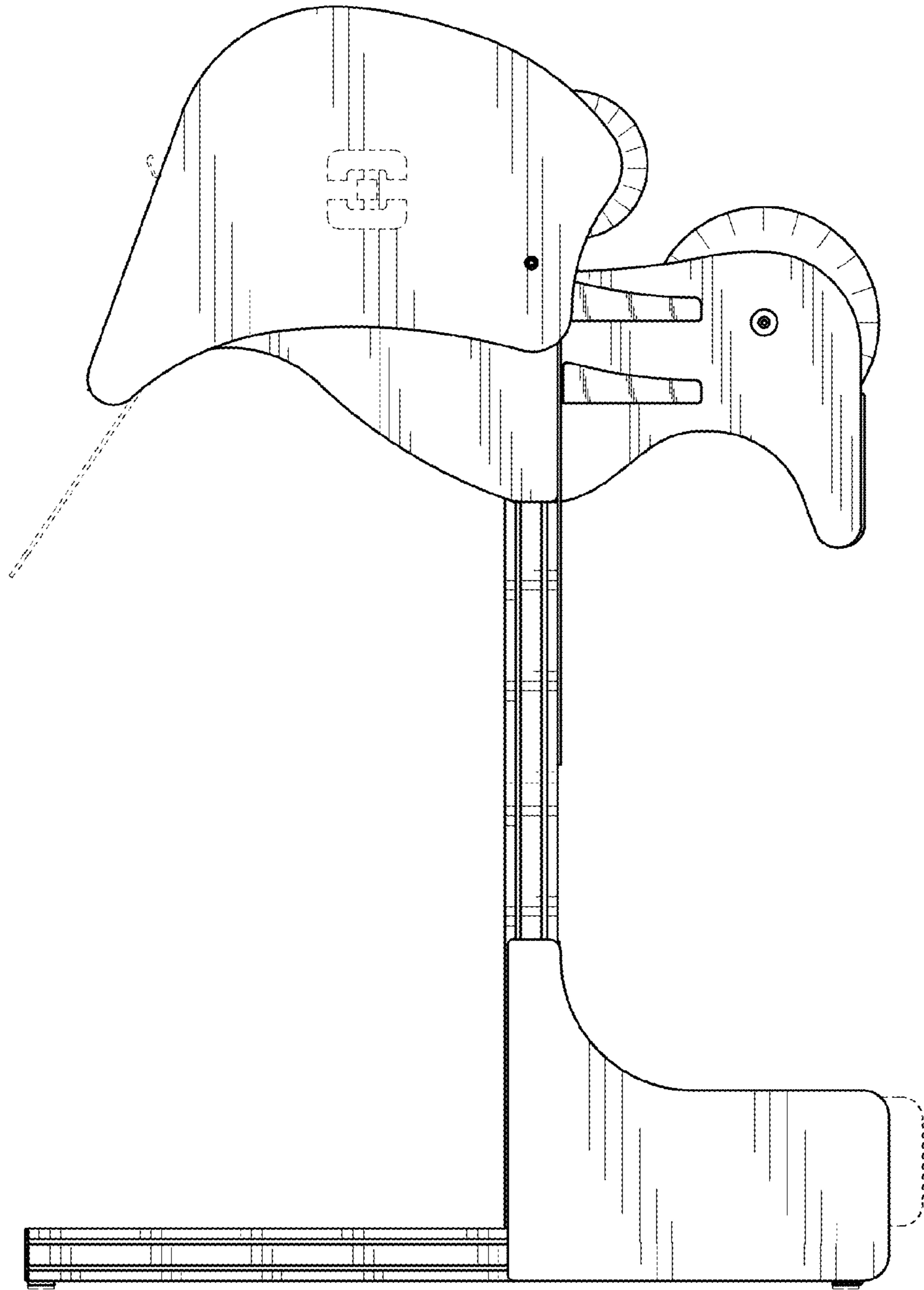


FIG. 4

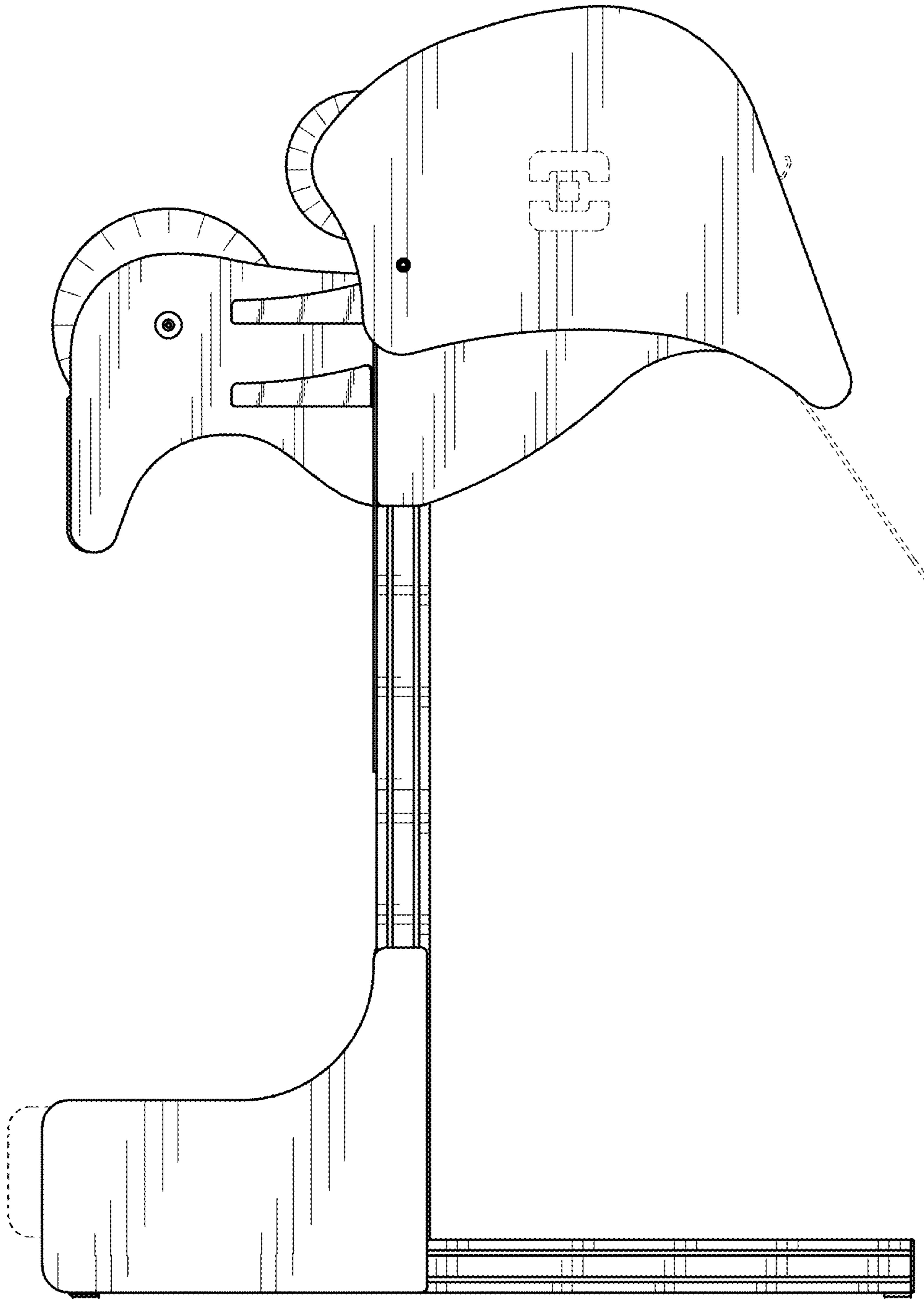


FIG. 5

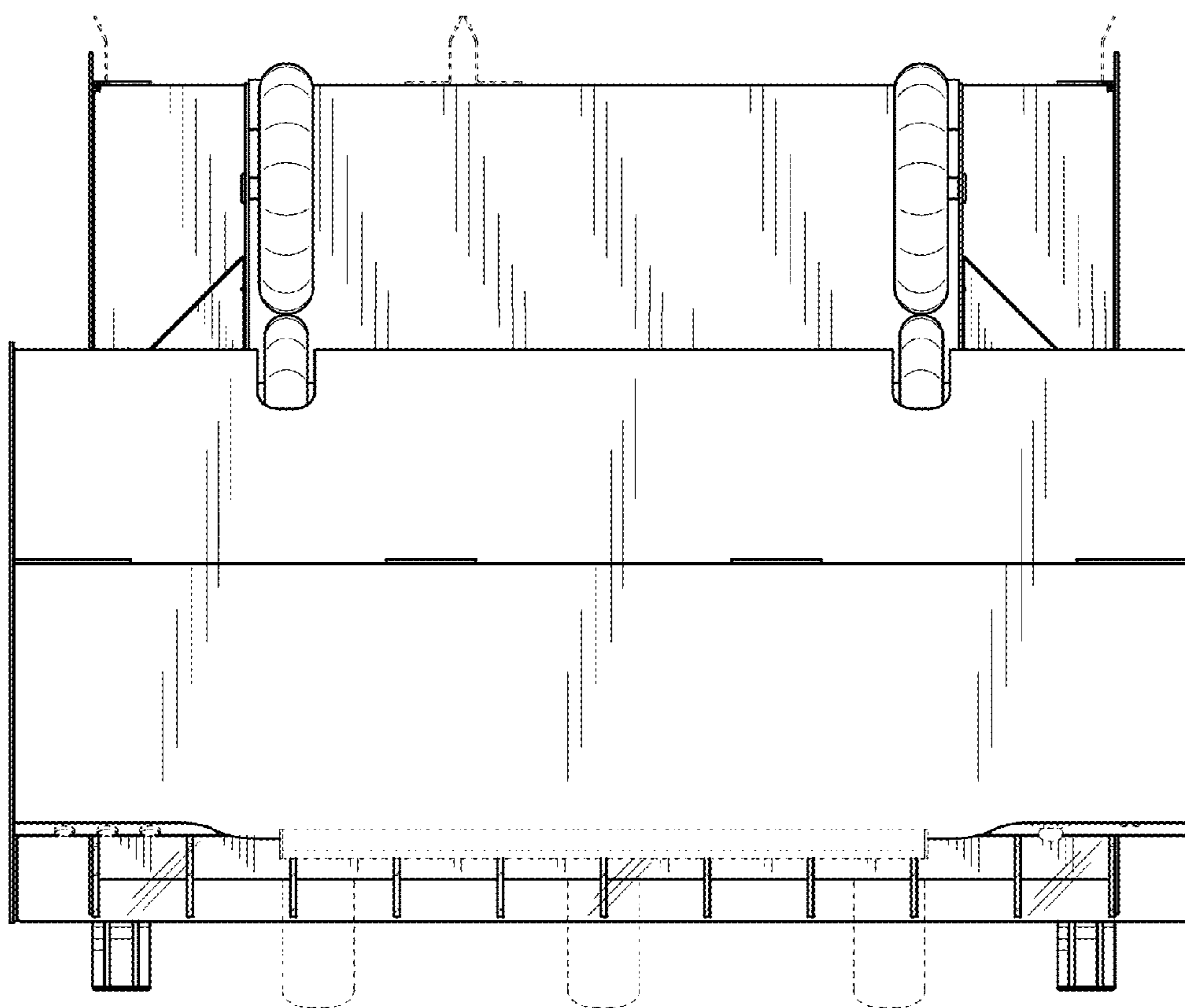


FIG. 6

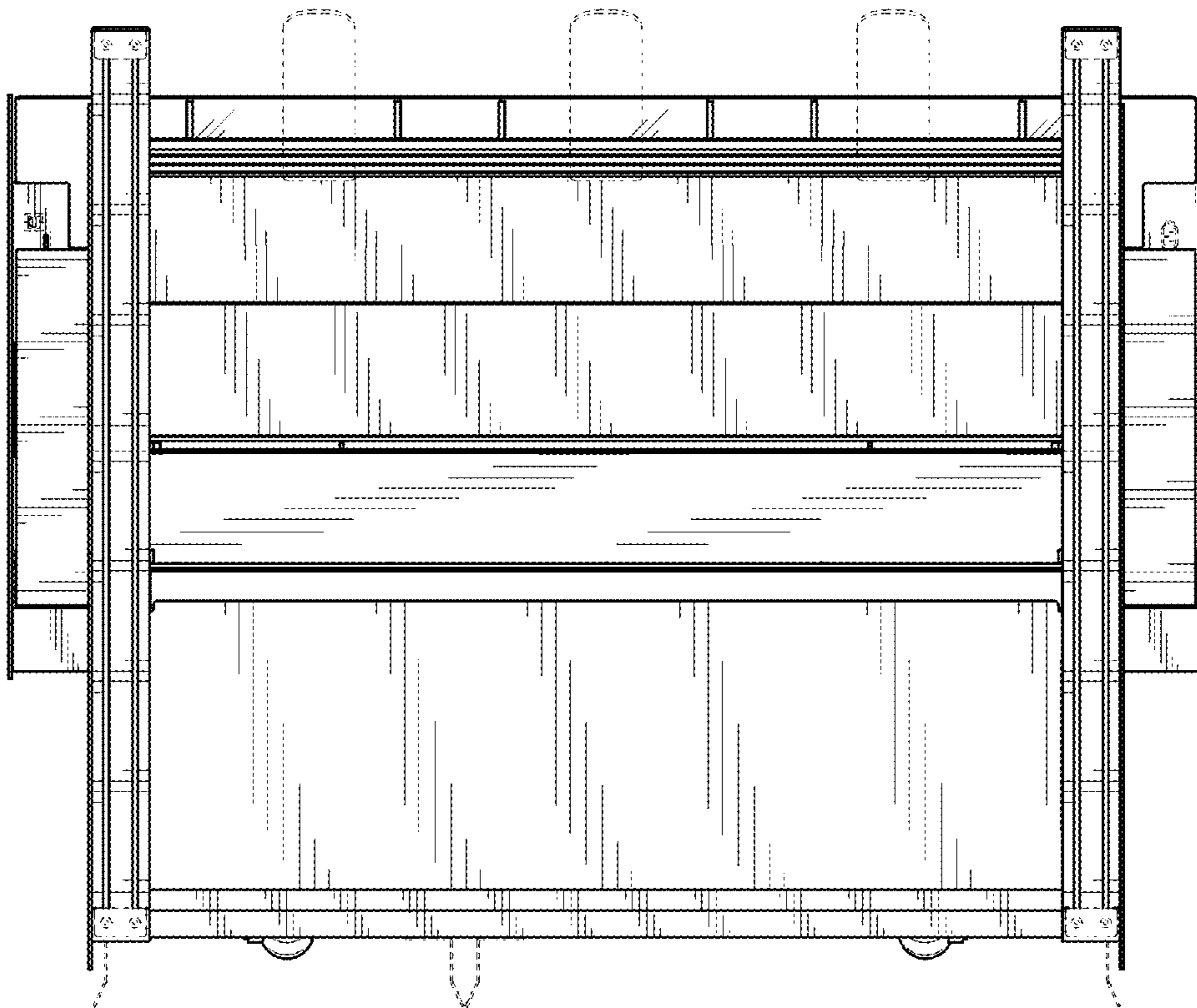


FIG. 7