



US00D703243S

(12) **United States Design Patent**  
**Hideki**

(10) **Patent No.:** **US D703,243 S**

(45) **Date of Patent:** **\*\* Apr. 22, 2014**

(54) **SEWING MACHINE**

(71) Applicant: **Janome Sewing Machine Company Limited**, Tokyo (JP)

(72) Inventor: **Muto Hideki**, Tokyo (JP)

(73) Assignee: **Janome Sewing Machine Company Limited**, Hachioji-shi, Tokyo (JP)

(\*\*) Term: **14 Years**

(21) Appl. No.: **29/446,056**

(22) Filed: **Feb. 20, 2013**

(30) **Foreign Application Priority Data**

Aug. 20, 2012 (JP) ..... 2012-019831

(51) **LOC (10) Cl.** ..... **15-06**

(52) **U.S. Cl.**  
USPC ..... **D15/69**

(58) **Field of Classification Search**  
USPC ..... D15/66-78; 112/217.1-217.4,  
112/255-261, 475.01

See application file for complete search history.

(56) **References Cited**

U.S. PATENT DOCUMENTS

D506,212 S \* 6/2005 Kuroki ..... D15/69  
D514,599 S \* 2/2006 Egami ..... D15/69  
D648,758 S \* 11/2011 Muto ..... D15/69

\* cited by examiner

*Primary Examiner* — Mitchell Siegel

(74) *Attorney, Agent, or Firm* — Westerman, Hattori, Daniels & Adrian, LLP

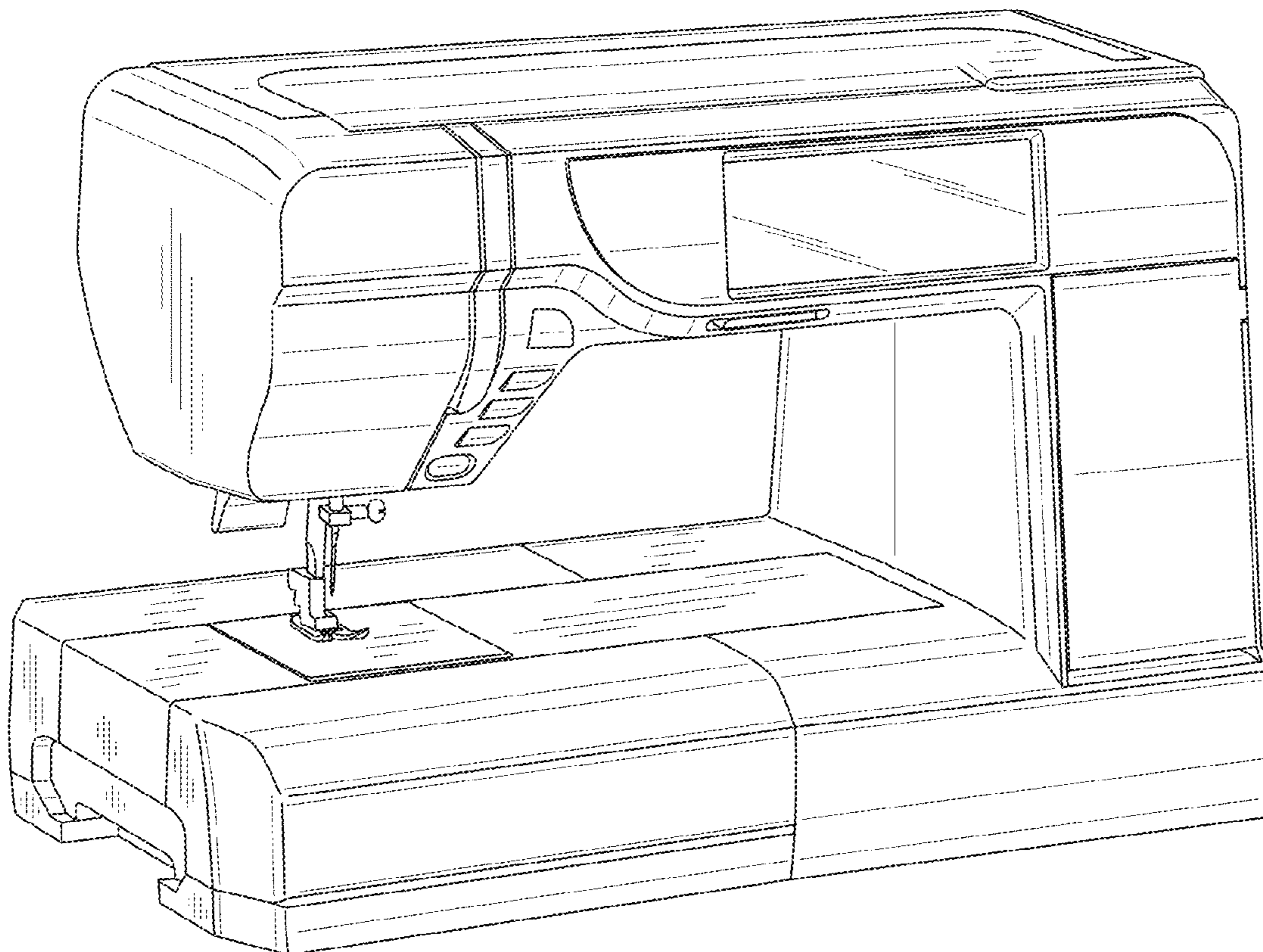
(57) **CLAIM**

The ornamental design for a sewing machine, as shown and described.

**DESCRIPTION**

FIG. 1 is a perspective view showing my new design for a sewing machine,  
FIG. 2 is a front view thereof,  
FIG. 3 is a rear view thereof,  
FIG. 4 is a left side view thereof,  
FIG. 5 is a right side view thereof,  
FIG. 6 is a top view thereof; and,  
FIG. 7 is a bottom view thereof.

**1 Claim, 7 Drawing Sheets**



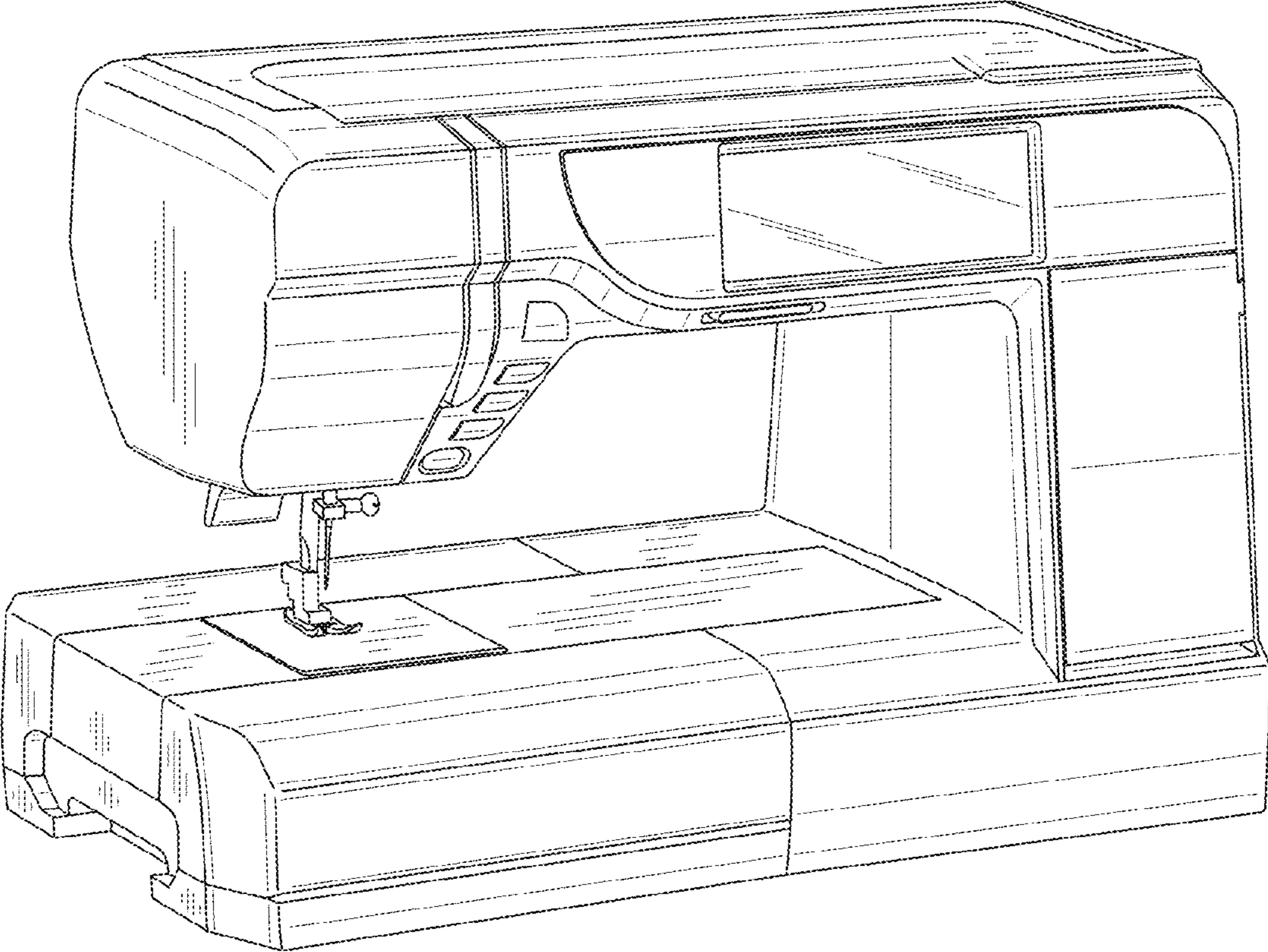


Fig.1

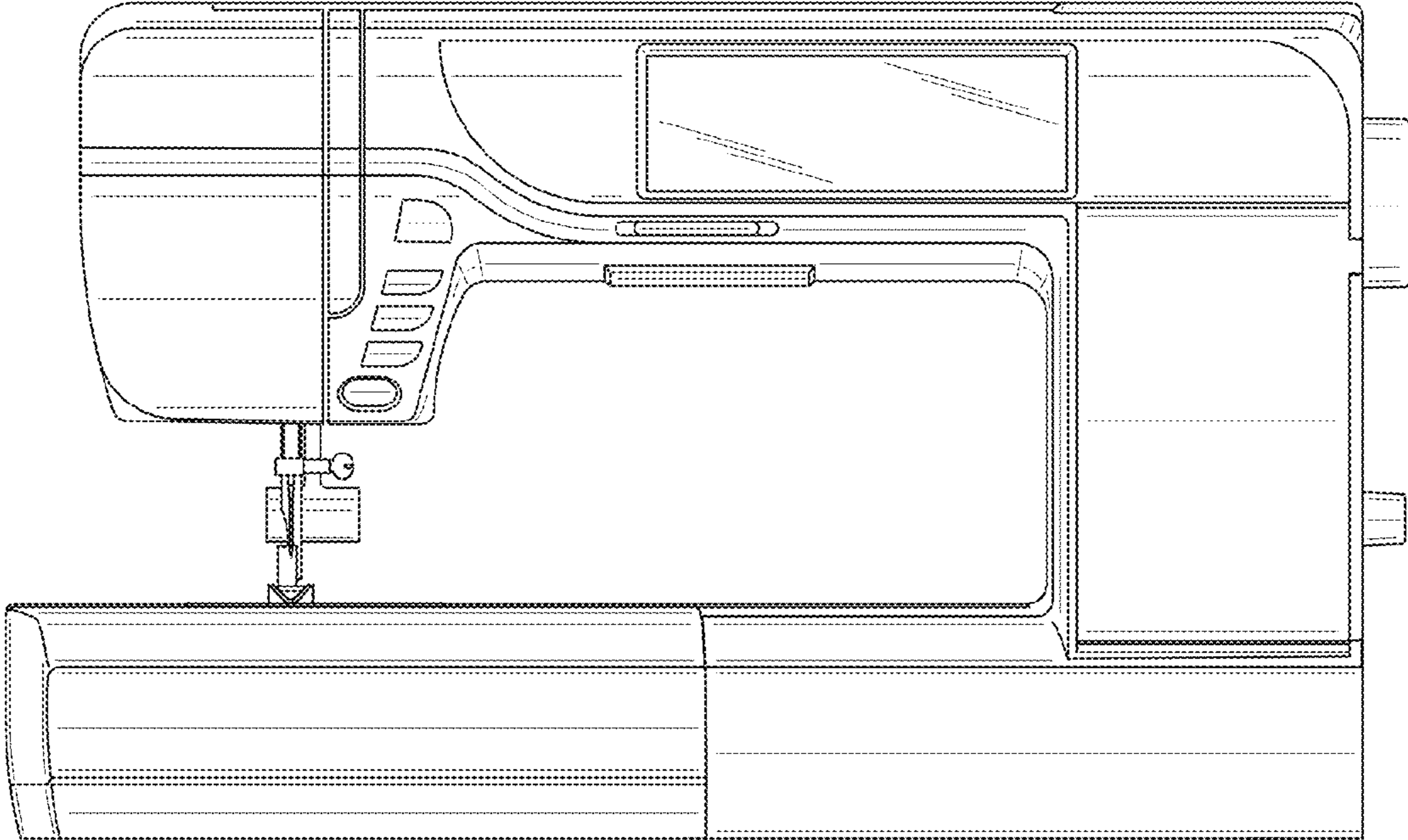


Fig.2

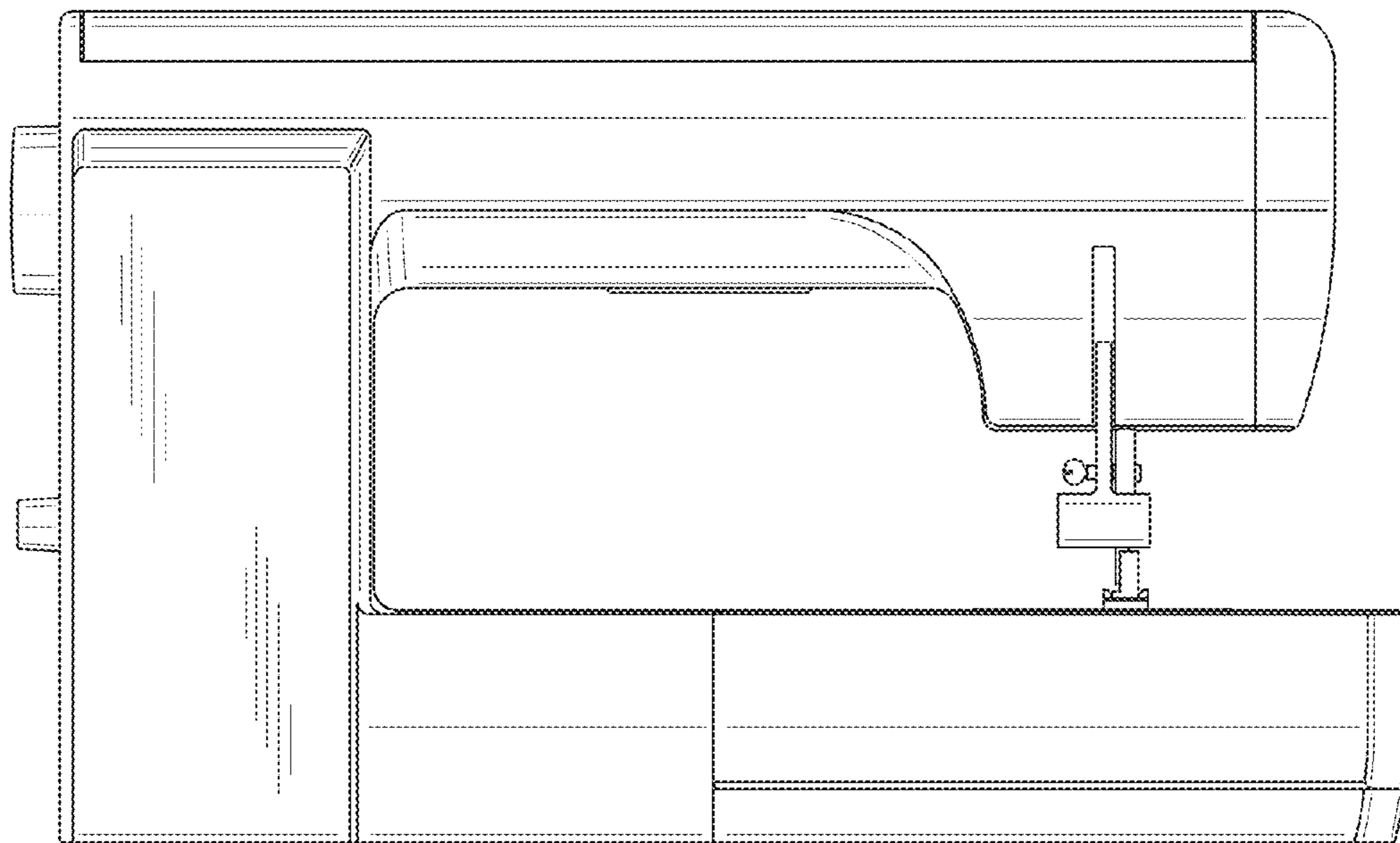


Fig.3

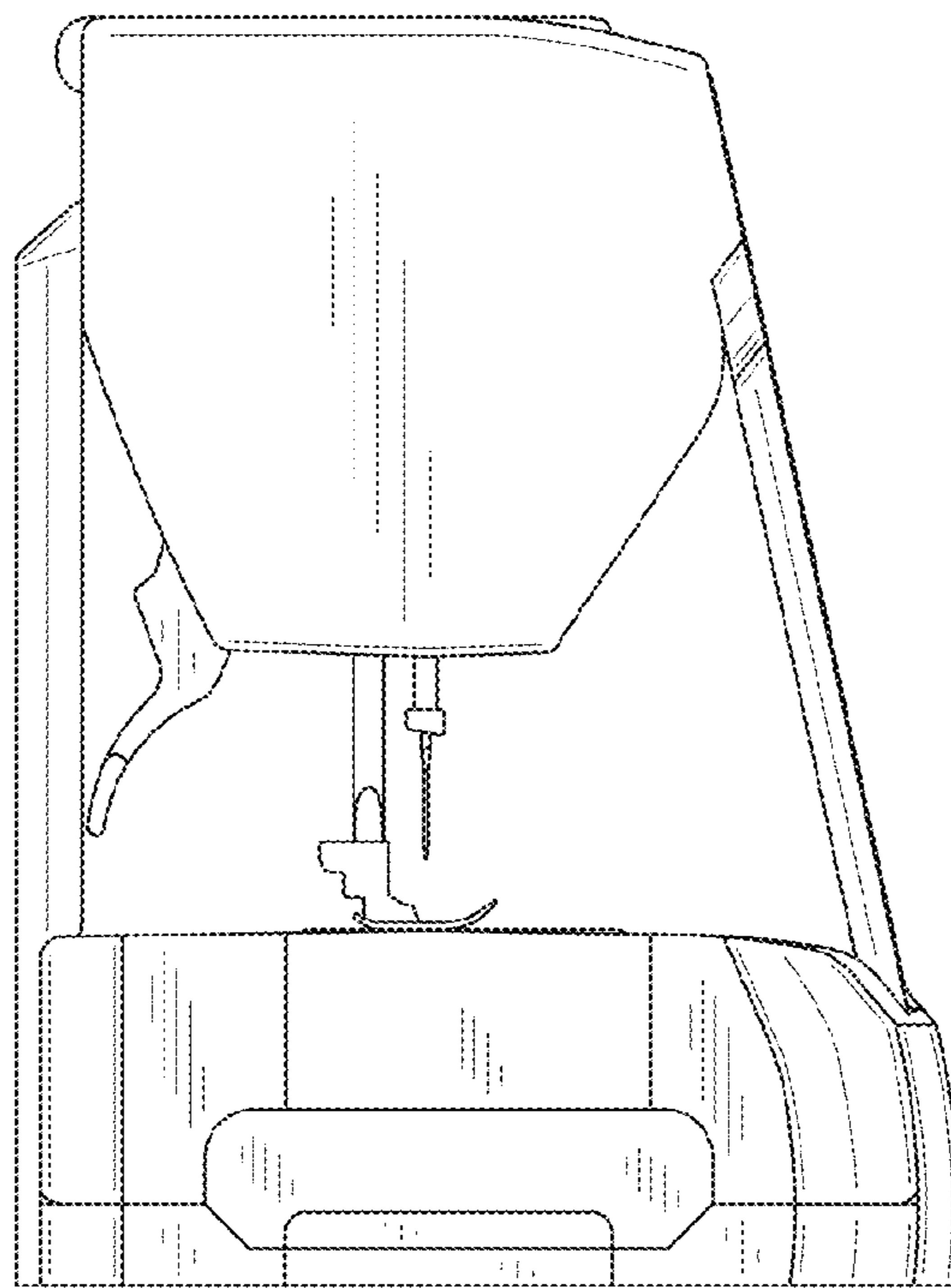


Fig.4

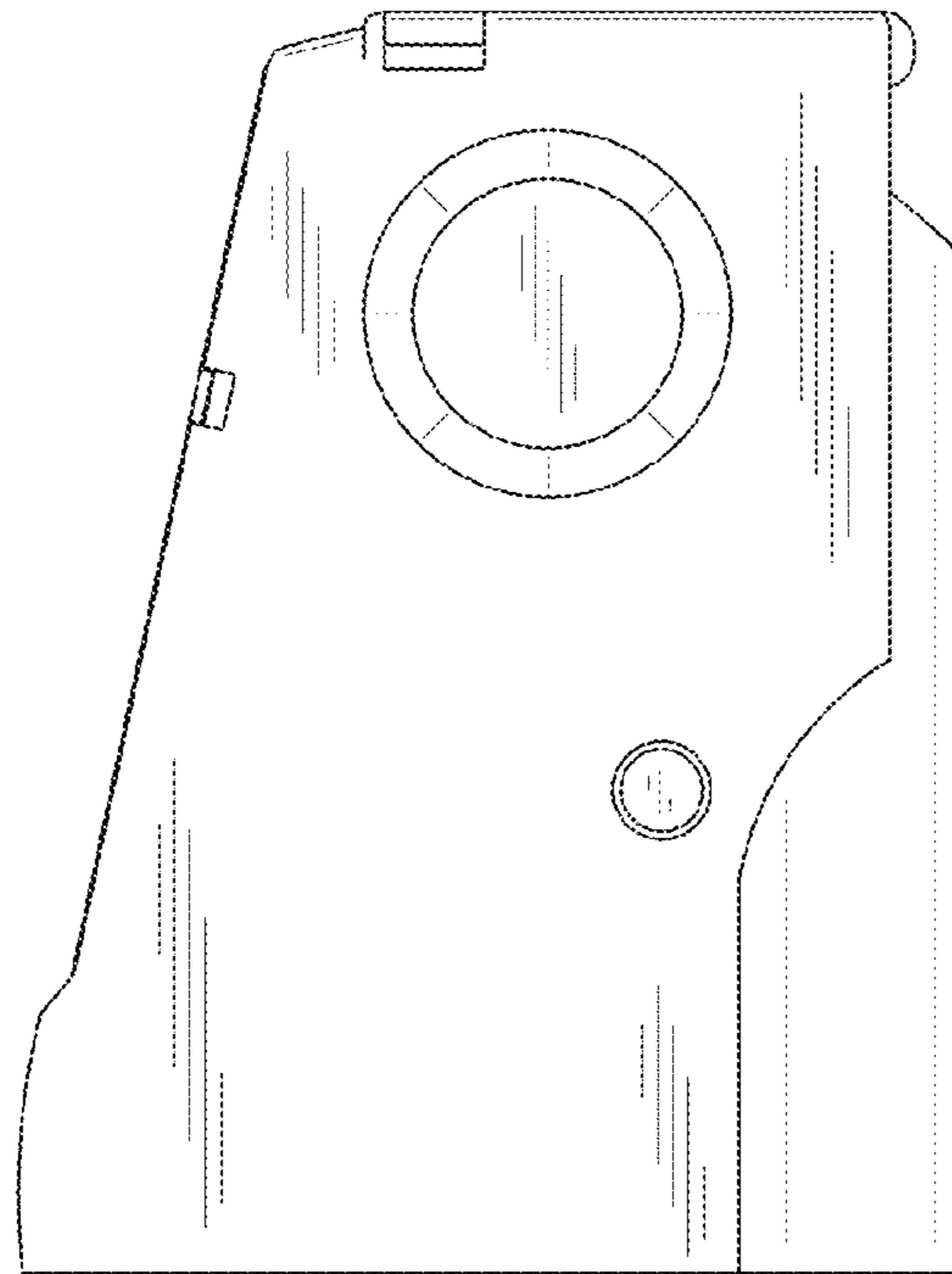


Fig.5

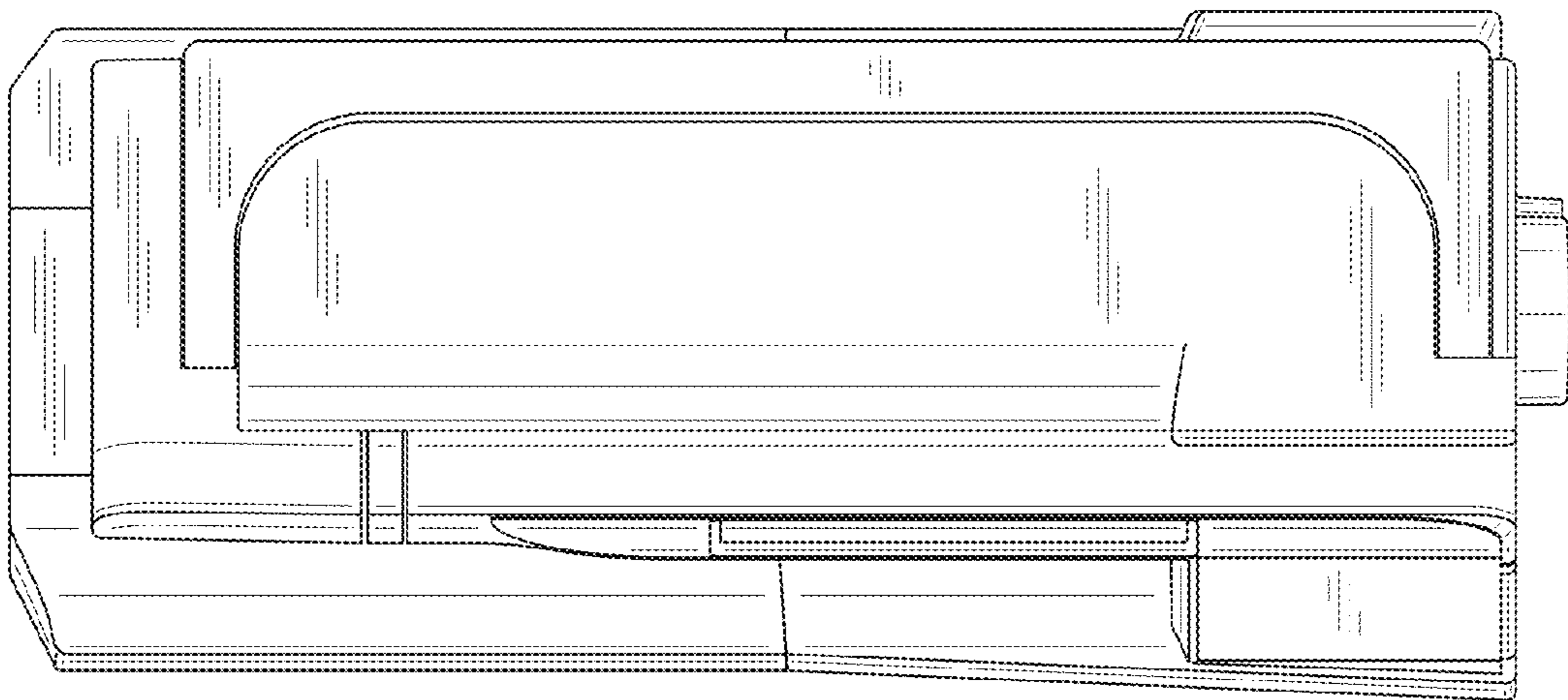


Fig.6

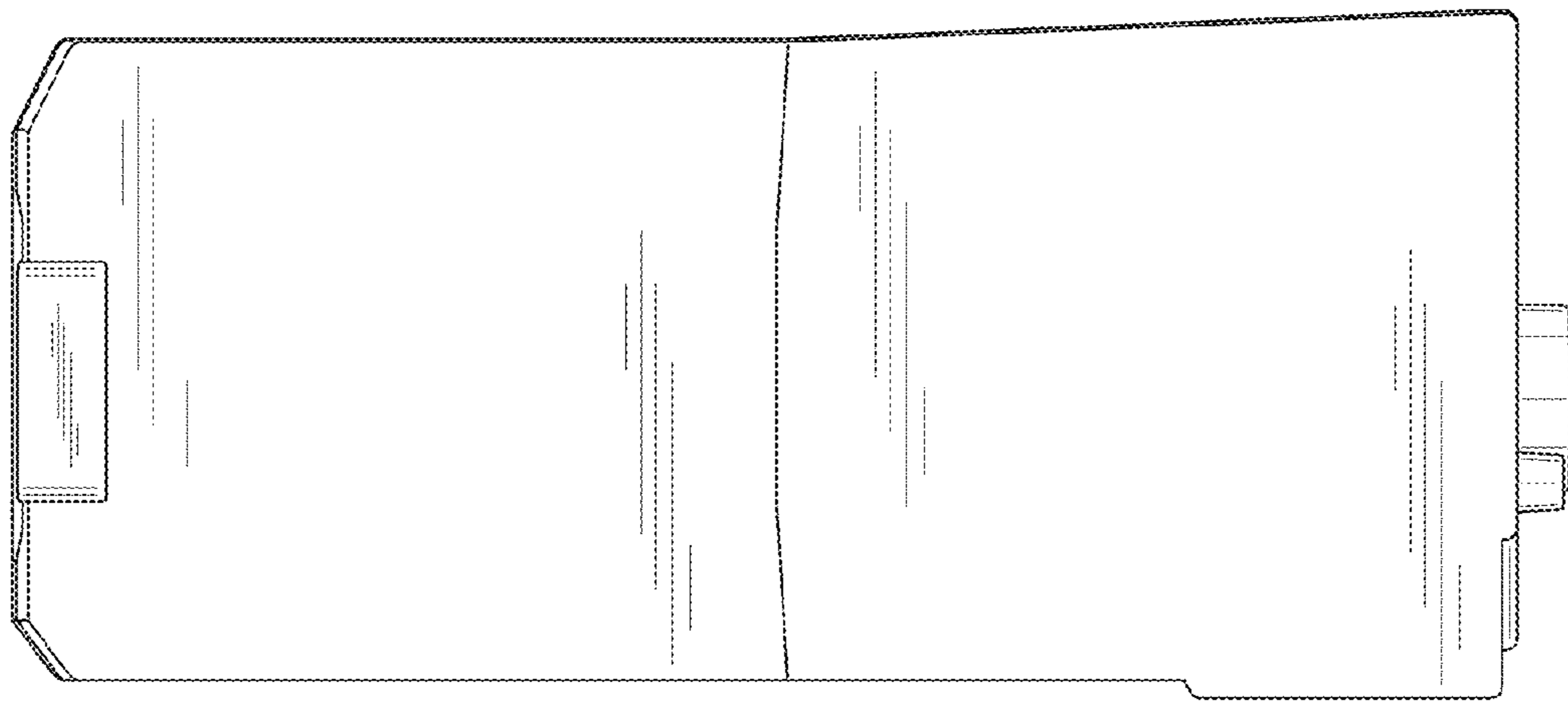


Fig.7