



US00D703241S

(12) **United States Design Patent**
Eckhardt et al.

(10) **Patent No.:** **US D703,241 S**
(45) **Date of Patent:** **** Apr. 22, 2014**

(54) **COMPRESSOR**

(71) Applicant: **Sumitomo Rubber Industries, Ltd.**,
Kobe (JP)

(72) Inventors: **Arnold Eckhardt**, Randstadt (DE);
Klaus Lowitz, Reiskirchen (DE)

(73) Assignee: **Sumitomo Rubber Industries, Ltd.**,
Kobe (JP)

(**) Term: **14 Years**

(21) Appl. No.: **29/469,871**

(22) Filed: **Oct. 15, 2013**

(30) **Foreign Application Priority Data**

Jun. 5, 2013 (JP) 2013-12542

(51) **LOC (10) Cl.** **15-02**

(52) **U.S. Cl.**
USPC **D15/9**

(58) **Field of Classification Search**
USPC D15/7-9; D23/231, 232, 225;
417/410.1, 359, 415-416, 234, 321,
417/265, 405

See application file for complete search history.

(56) **References Cited**

U.S. PATENT DOCUMENTS

D498,243 S * 11/2004 Chou D15/7
D499,426 S * 12/2004 Chou D15/7
D507,581 S * 7/2005 Wong D15/9
D582,945 S * 12/2008 Chou D15/9
D626,571 S * 11/2010 Eckhardt D15/9

D627,795 S * 11/2010 Eckhardt D15/9
D627,796 S * 11/2010 Eckhardt D15/9
D629,424 S * 12/2010 Eckhardt D15/9
D644,252 S * 8/2011 Kojima D15/9
D657,801 S * 4/2012 Eckhardt D15/9
D665,427 S * 8/2012 Inskeep D15/9
D672,368 S * 12/2012 Wong D15/9
D678,351 S * 3/2013 Wong D15/9

* cited by examiner

Primary Examiner — Ralf Seifert

(74) *Attorney, Agent, or Firm* — Birch, Stewart, Kolasch &
Birch, LLP

(57) **CLAIM**

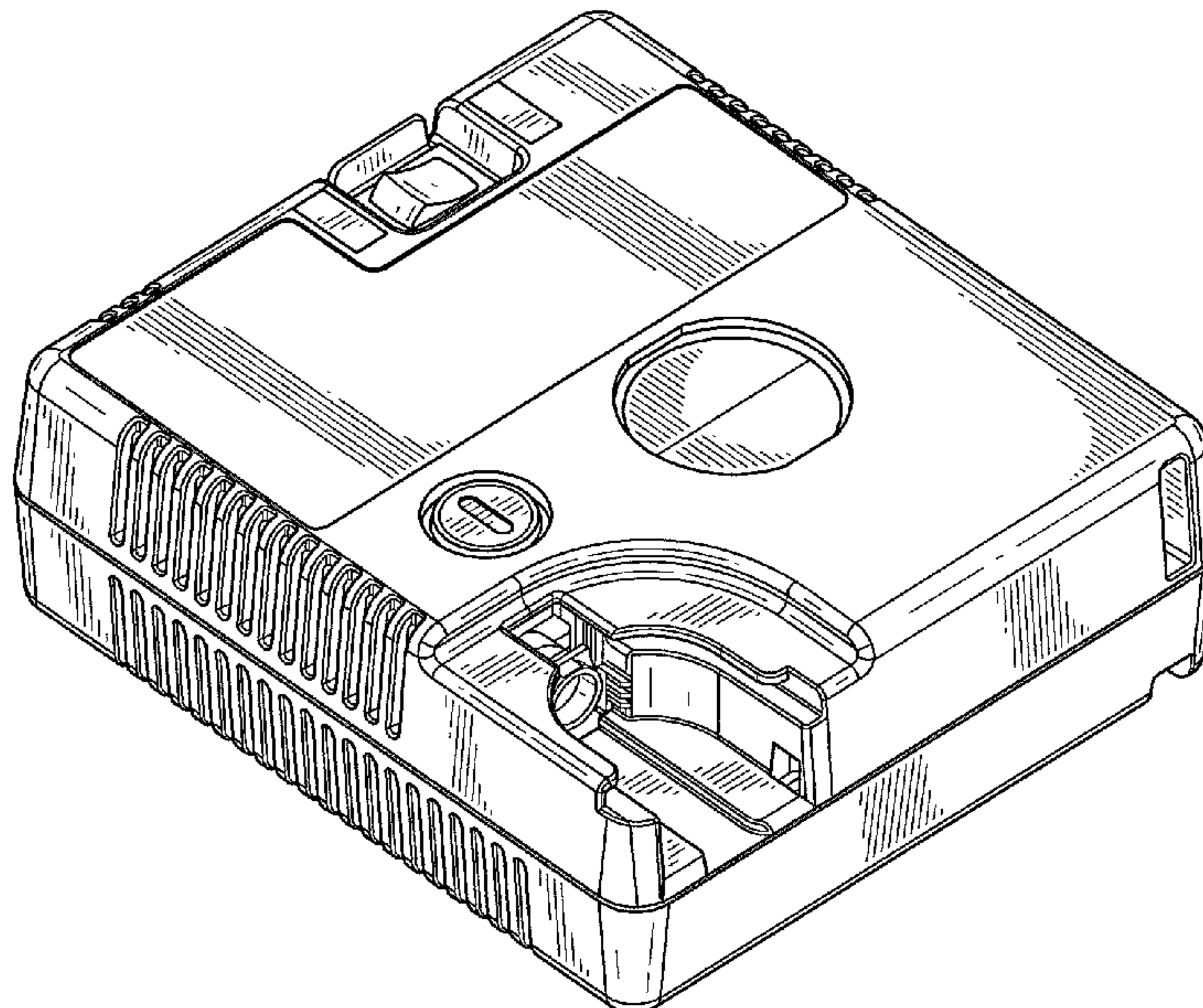
The ornamental design for a compressor, as shown and
described.

DESCRIPTION

FIG. 1 is a front, left, top perspective view of a compressor
showing my new design;
FIG. 2 is a front, right, top perspective view thereof;
FIG. 3 is a rear, right bottom perspective view thereof;
FIG. 4 is a front, left, bottom view thereof;
FIG. 5 is a front view thereof;
FIG. 6 is a rear view thereof;
FIG. 7 is a left side view thereof;
FIG. 8 is a right side view thereof;
FIG. 9 is a top view thereof; and,
FIG. 10 is a bottom view thereof.

The portions illustrated in broken lines are directed to the
environment and form no part of the claimed design.

1 Claim, 6 Drawing Sheets



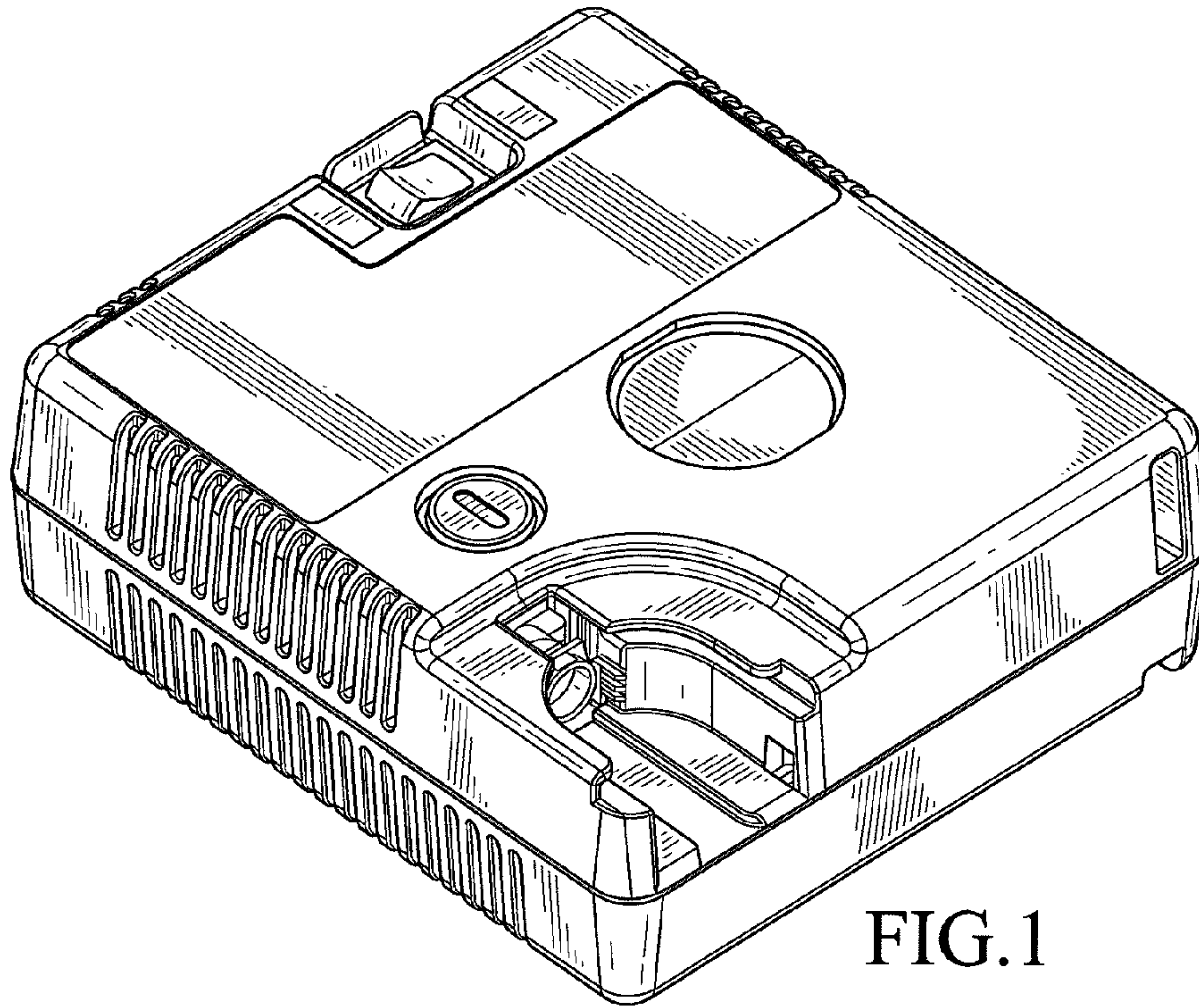


FIG. 1

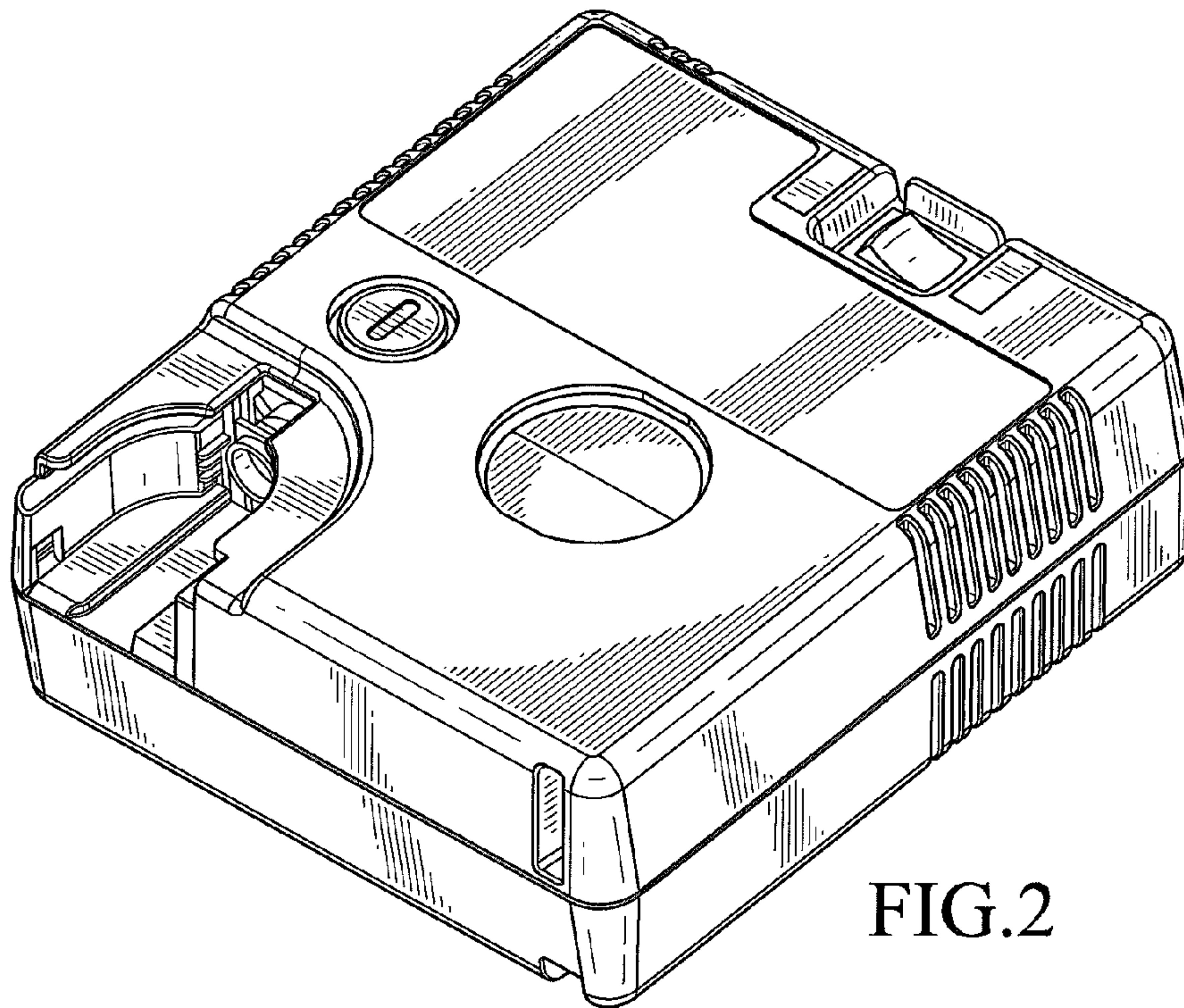


FIG. 2

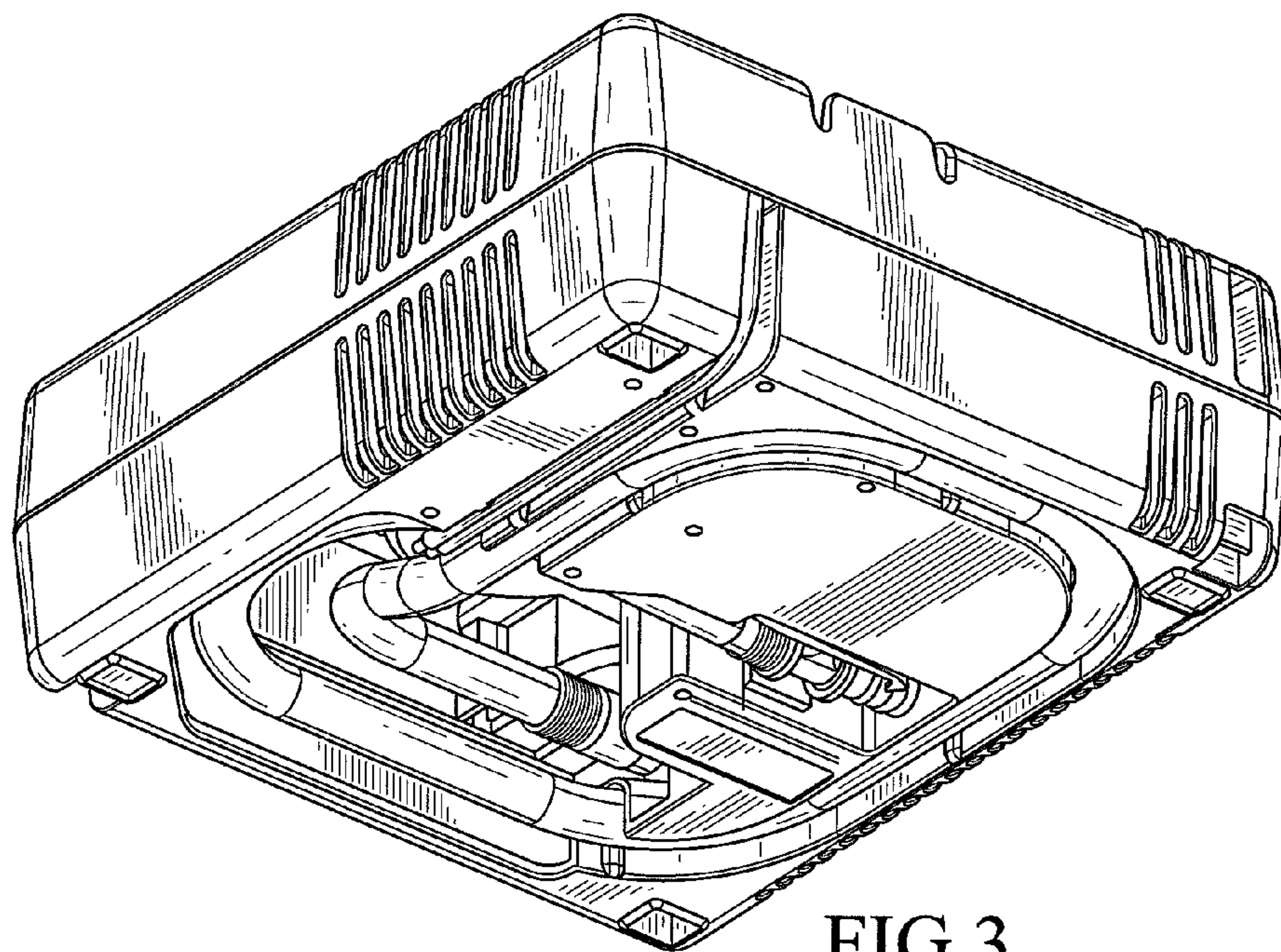


FIG.3

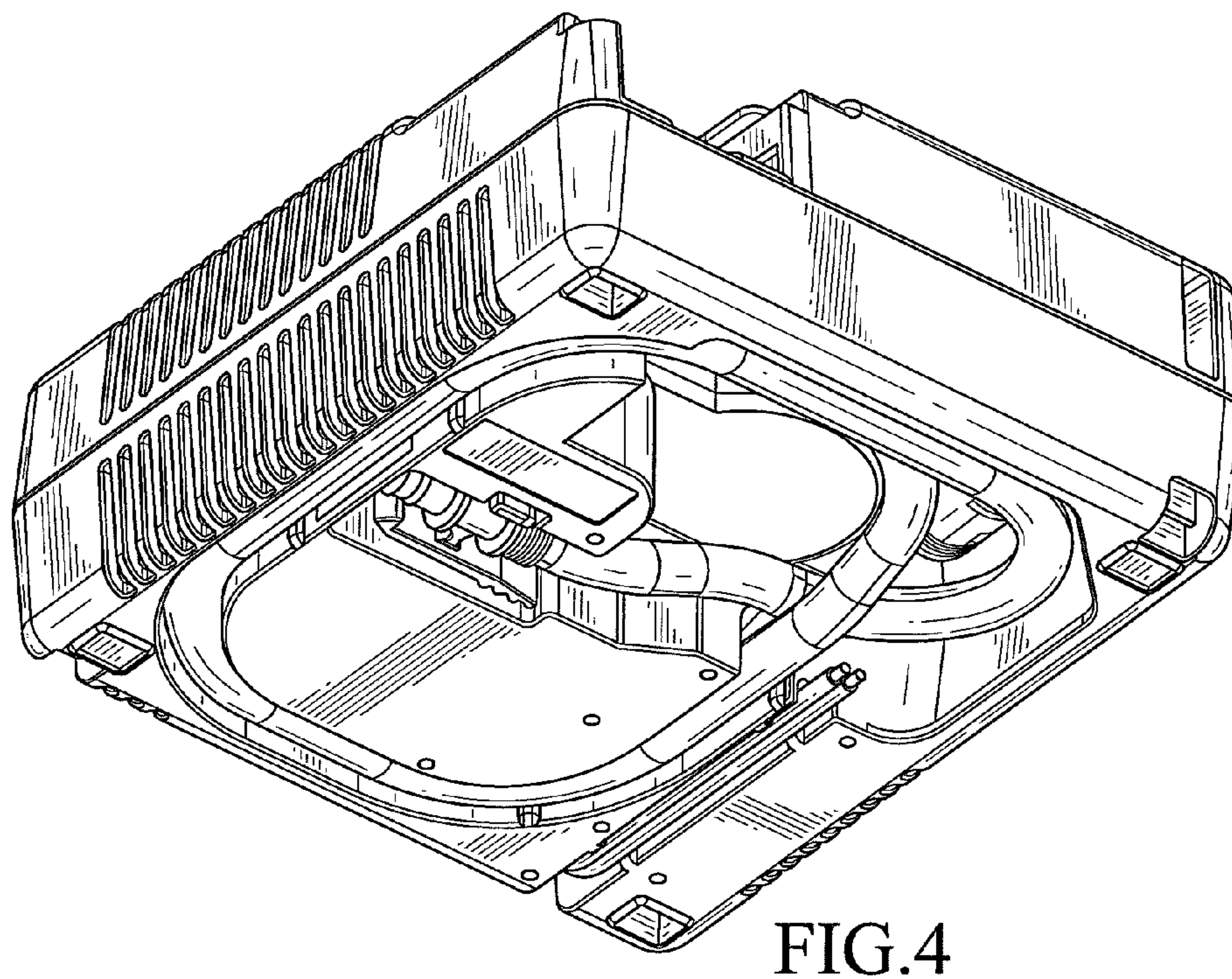


FIG.4

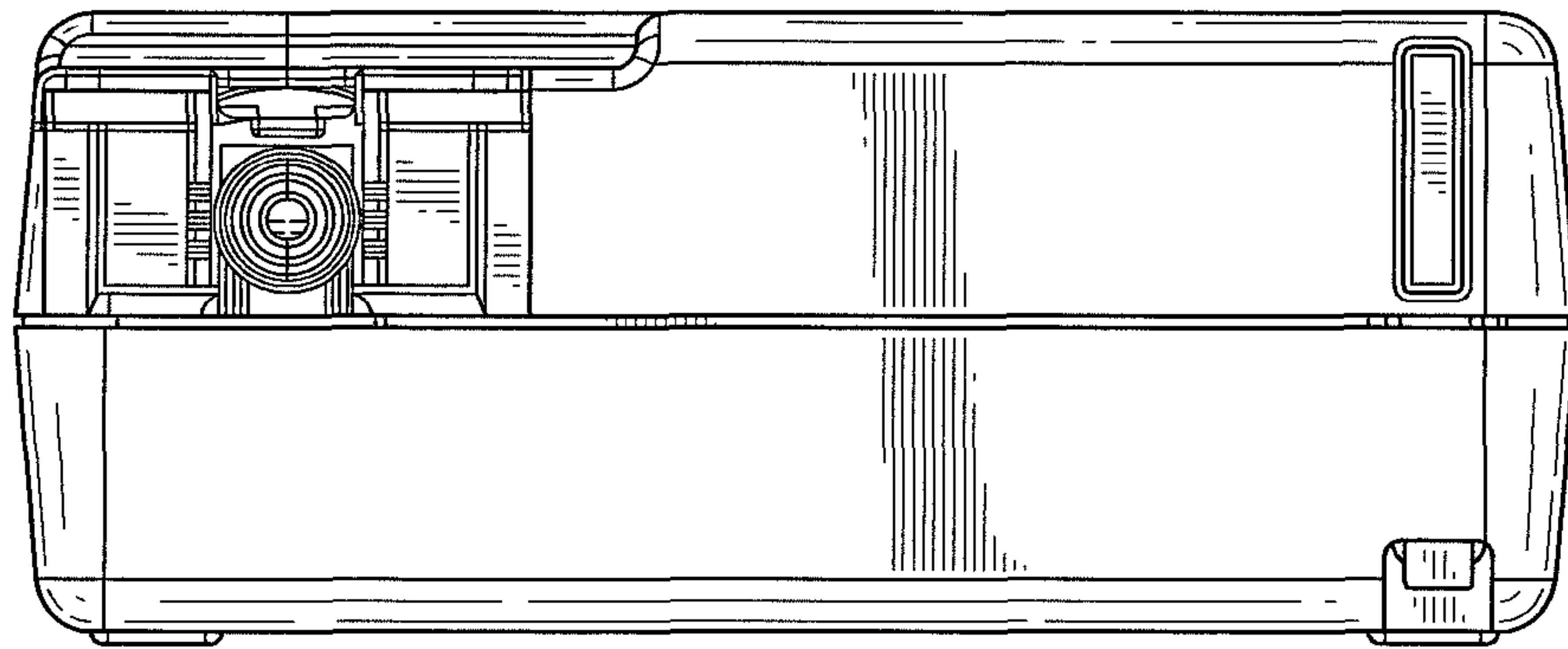


FIG. 5

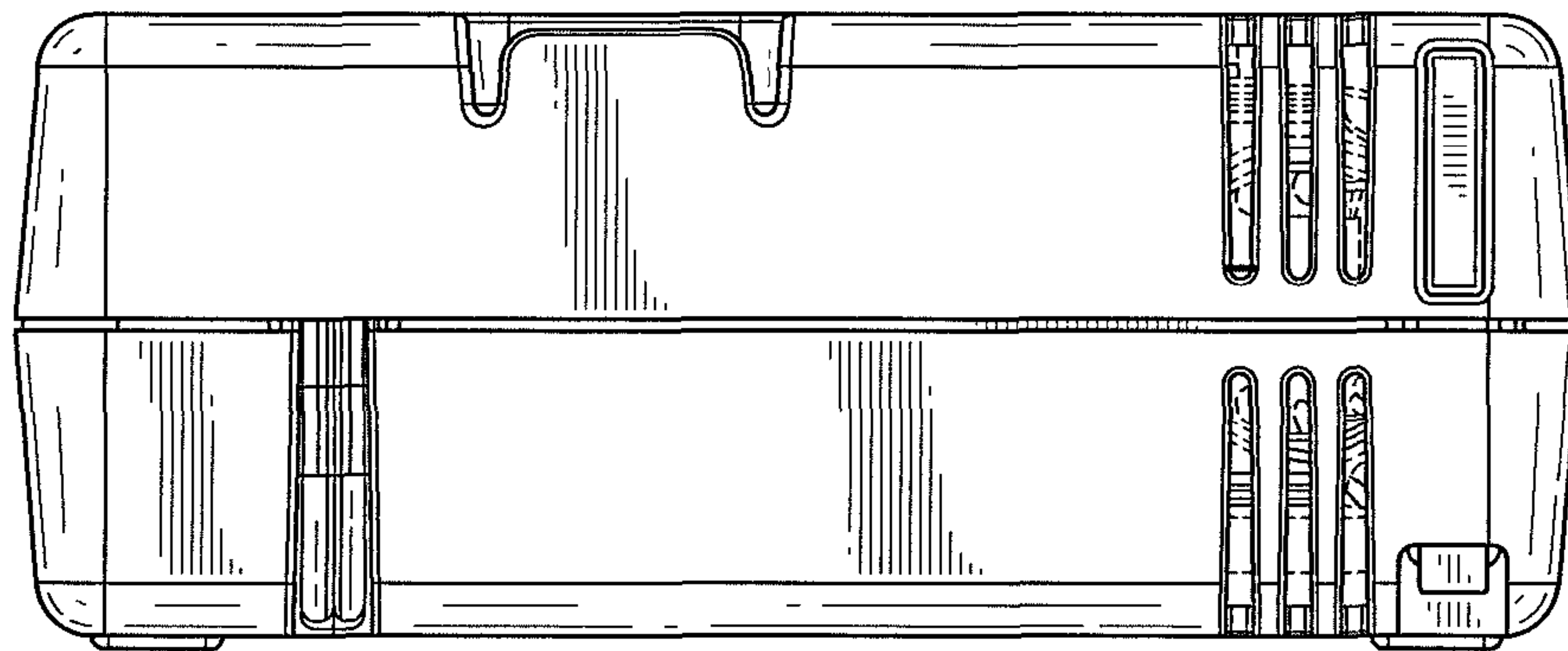


FIG. 6

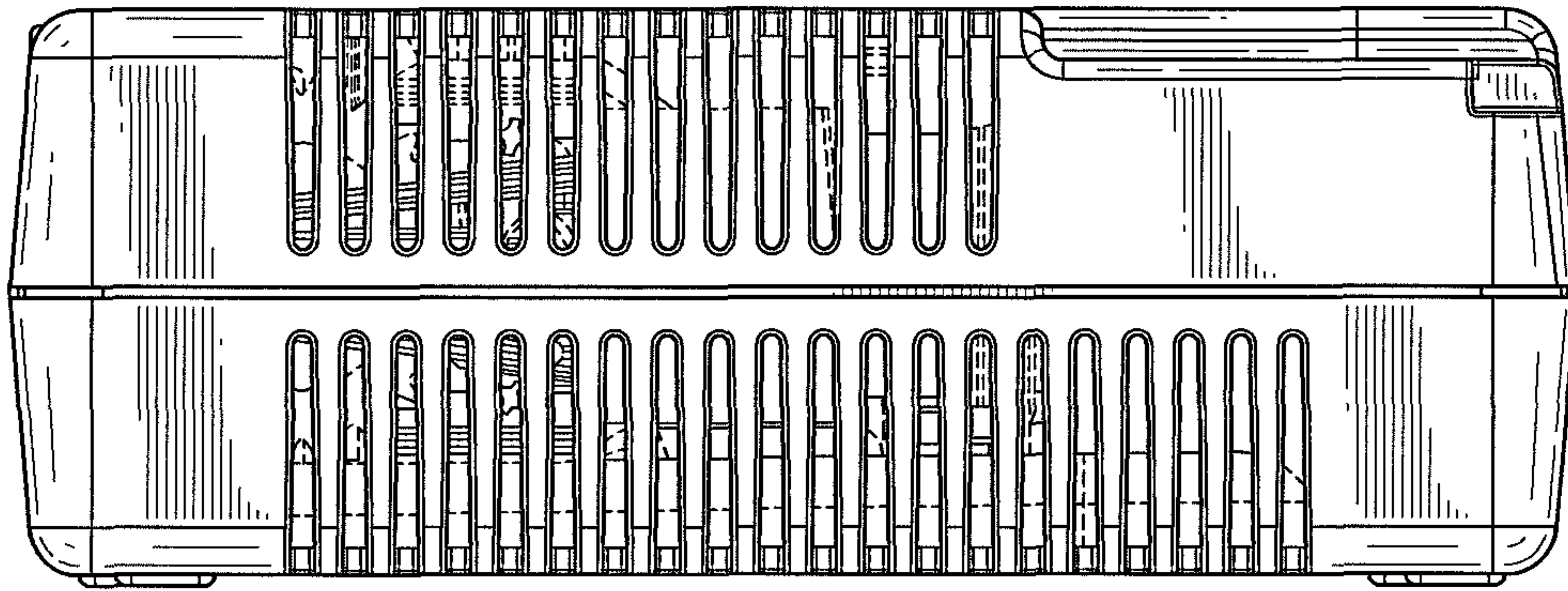


FIG. 7

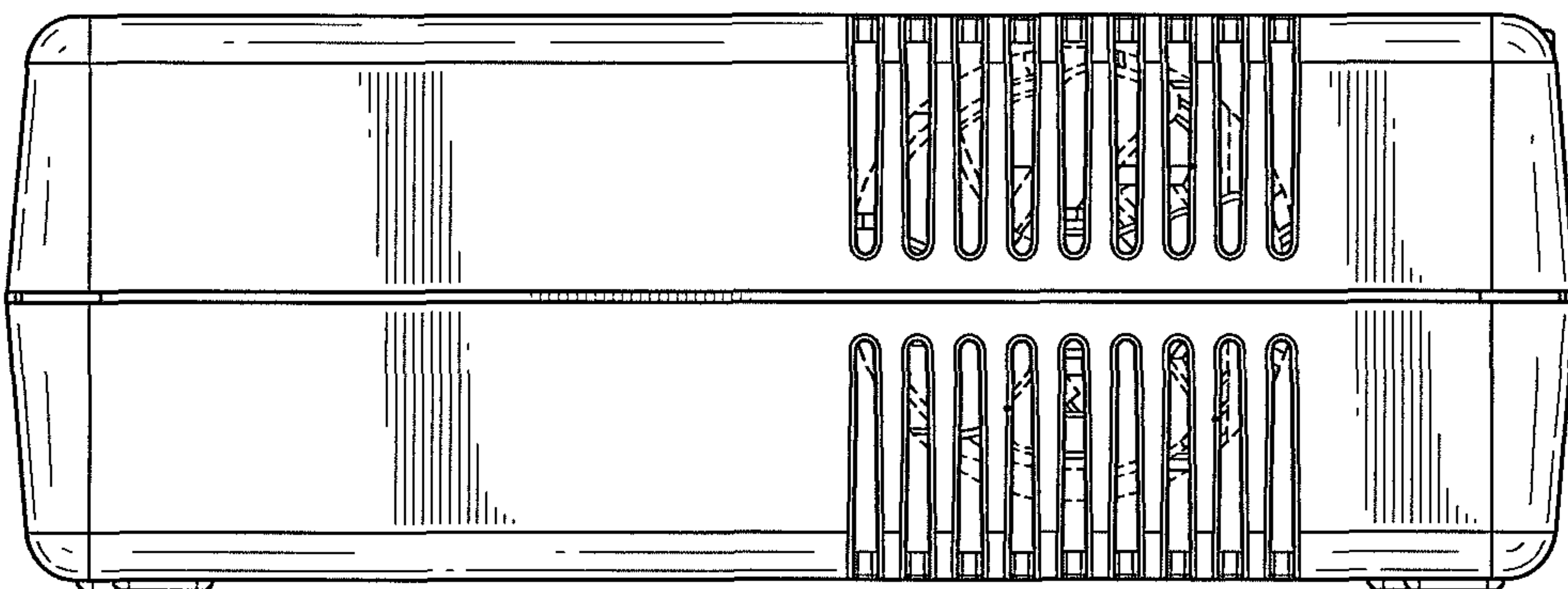


FIG. 8

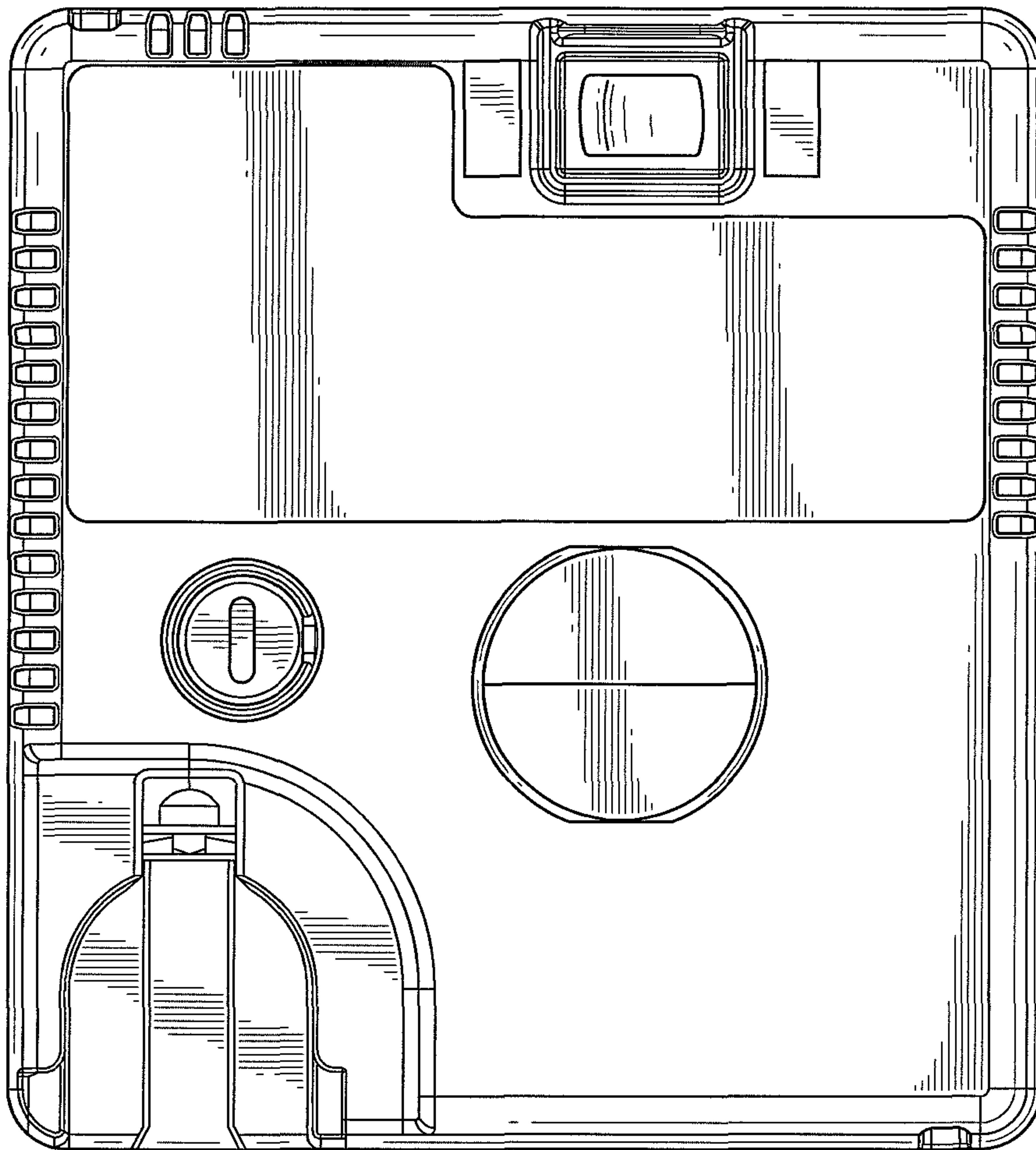


FIG.9

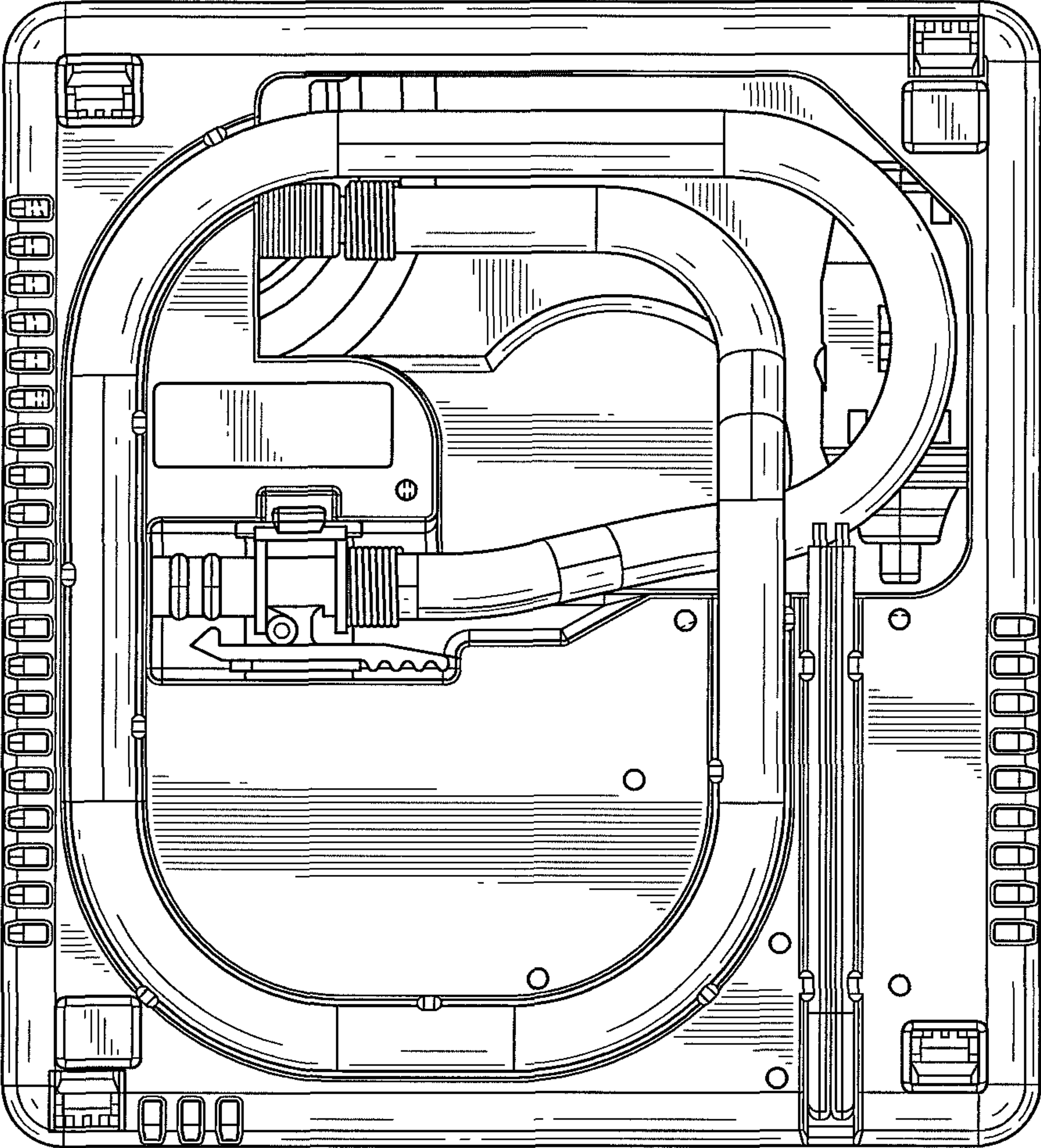


FIG.10