



US00D703240S

(12) **United States Design Patent**
Frys

(10) **Patent No.:** **US D703,240 S**

(45) **Date of Patent:** **** Apr. 22, 2014**

(54) **PUMP**

(71) Applicant: **Antoni Frys**, Crowley, TX (US)

(72) Inventor: **Antoni Frys**, Crowley, TX (US)

(**) Term: **14 Years**

(21) Appl. No.: **29/450,021**

(22) Filed: **Mar. 15, 2013**

(51) **LOC (10) Cl.** **15-02**

(52) **U.S. Cl.**
USPC **D15/7**

(58) **Field of Classification Search**
USPC D15/7-9; D23/231, 232, 225; 417/60,
417/235, 265, 321, 355, 358, 363, 359,
417/410.1, 415-416, 405, 900; 60/408,
60/412; 184/26-37; 415/140-147;
123/495, 509
See application file for complete search history.

(56) **References Cited**

U.S. PATENT DOCUMENTS

D387,777 S * 12/1997 Gaffney D15/8
D436,362 S * 1/2001 Yu-Chin D15/8

D451,929 S * 12/2001 Mencio D15/9
D455,155 S * 4/2002 Wang D15/8
D617,344 S * 6/2010 Wang D15/8

* cited by examiner

Primary Examiner — Ralf Seifert

(74) *Attorney, Agent, or Firm* — QuickPatents; Kevin Prince

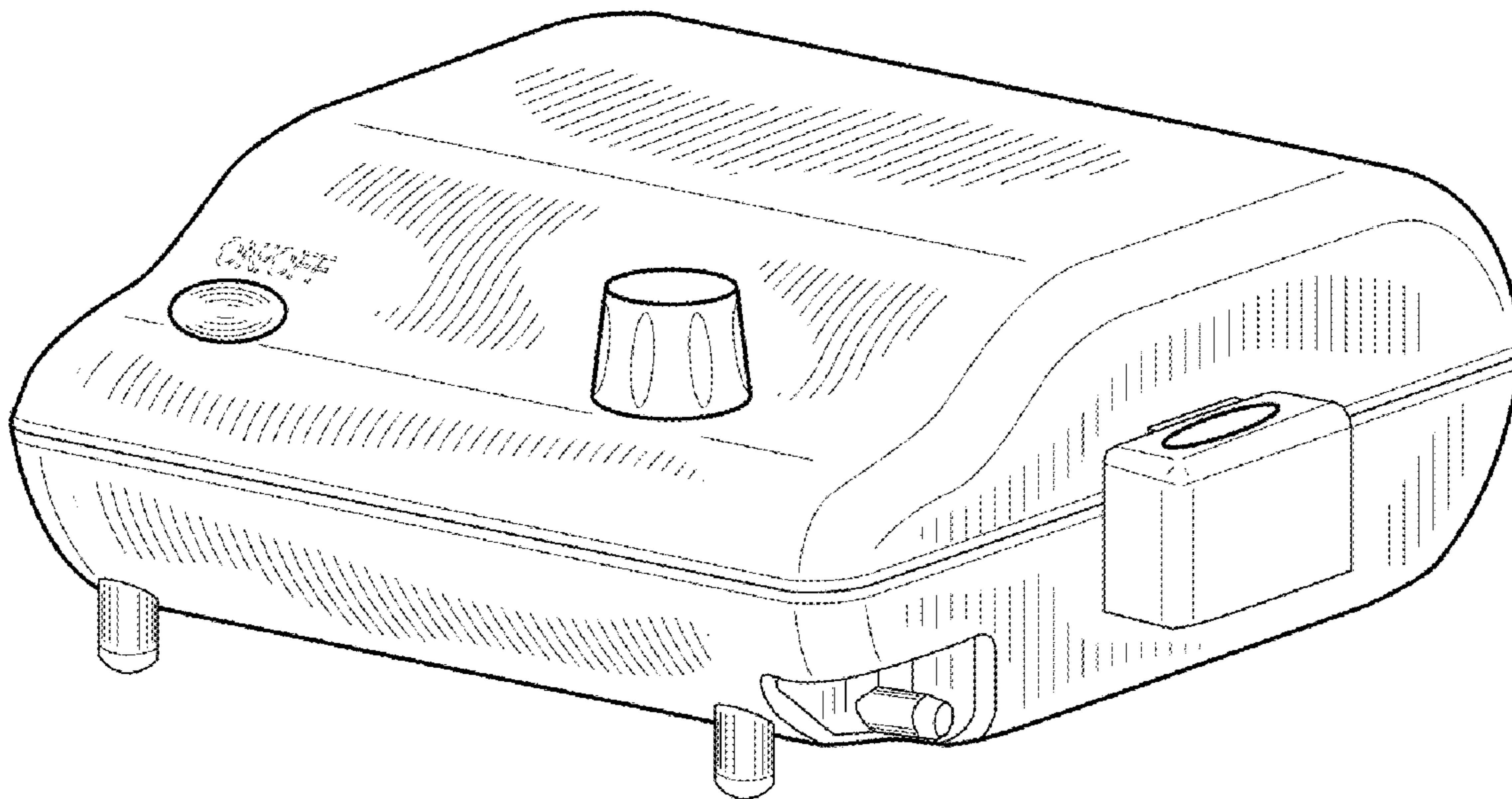
(57) **CLAIM**

I claim the ornamental design for a pump, as shown and described.

DESCRIPTION

FIG. 1 is a top perspective view of a pump, showing my new design;
FIG. 2 is a bottom perspective view thereof;
FIG. 3 is a front elevational view thereof;
FIG. 4 is a rear elevational view thereof;
FIG. 5 is a right-side elevational view thereof;
FIG. 6 is a left-side elevational view thereof;
FIG. 7 is a top plan view thereof; and,
FIG. 8 is a bottom plan view thereof.
The broken lines showing a logo in FIGS. 1 and 7 depict environmental matter and form no part of the claimed design.

1 Claim, 3 Drawing Sheets



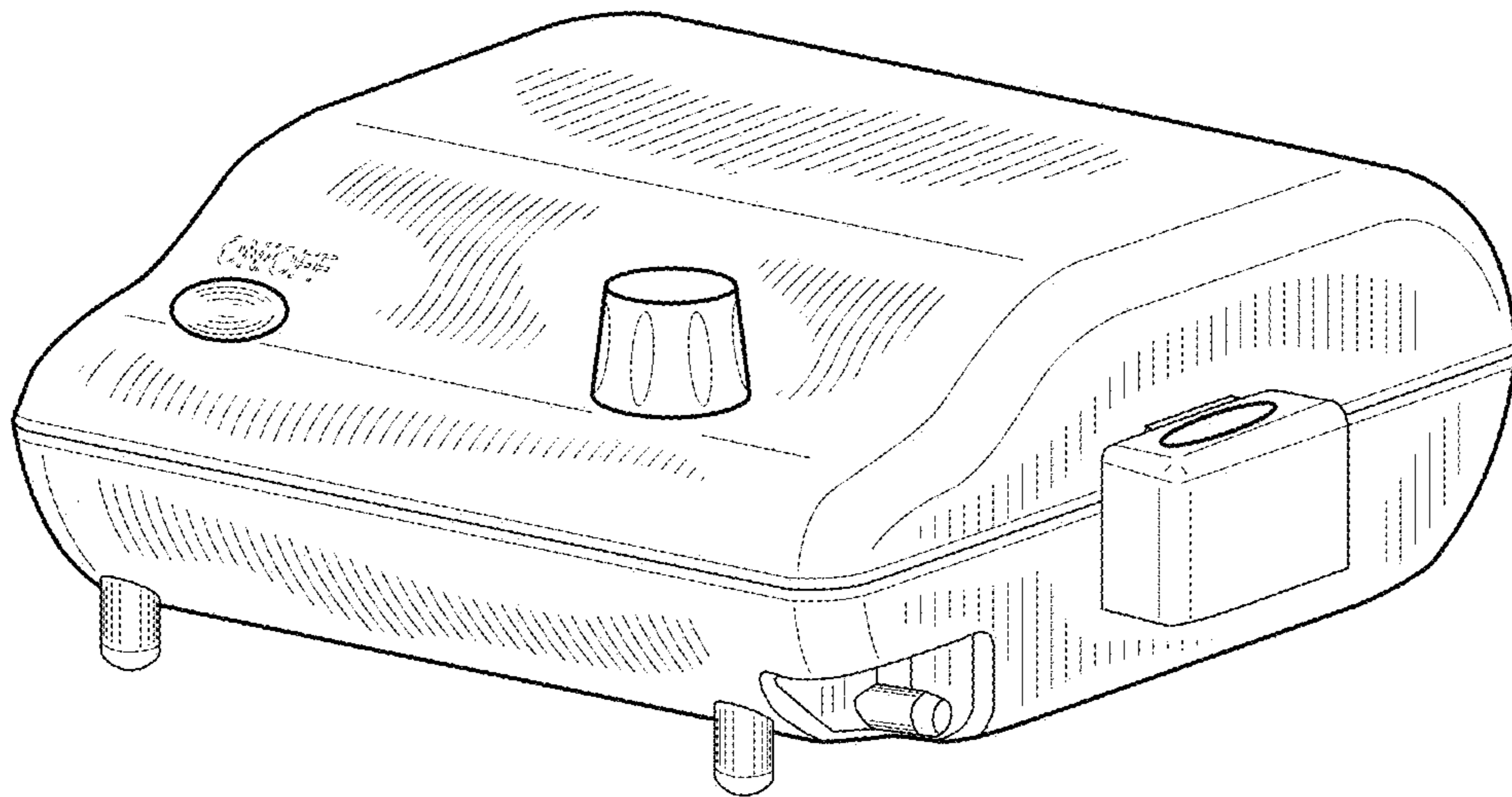


FIG. 1

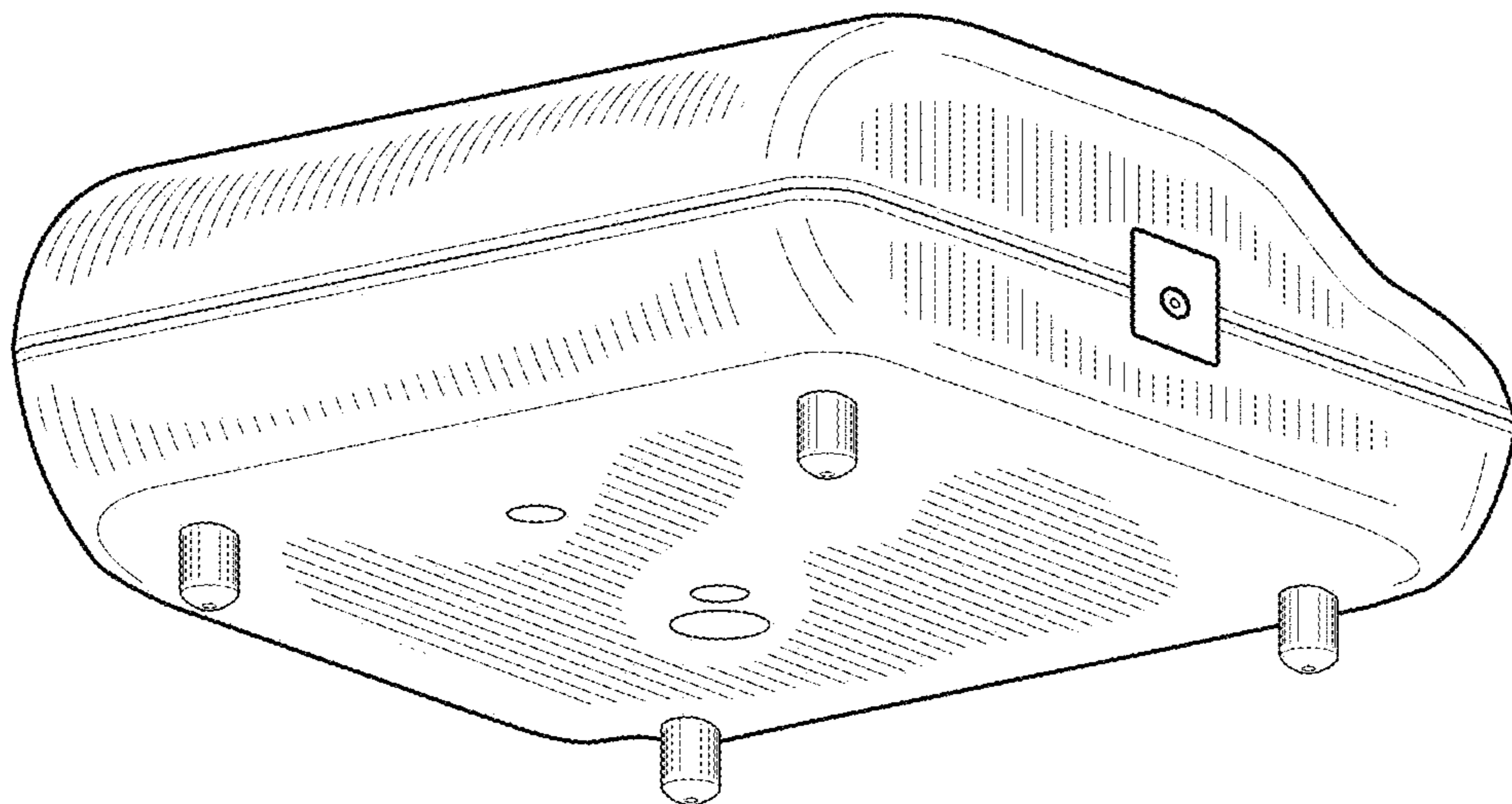


FIG. 2

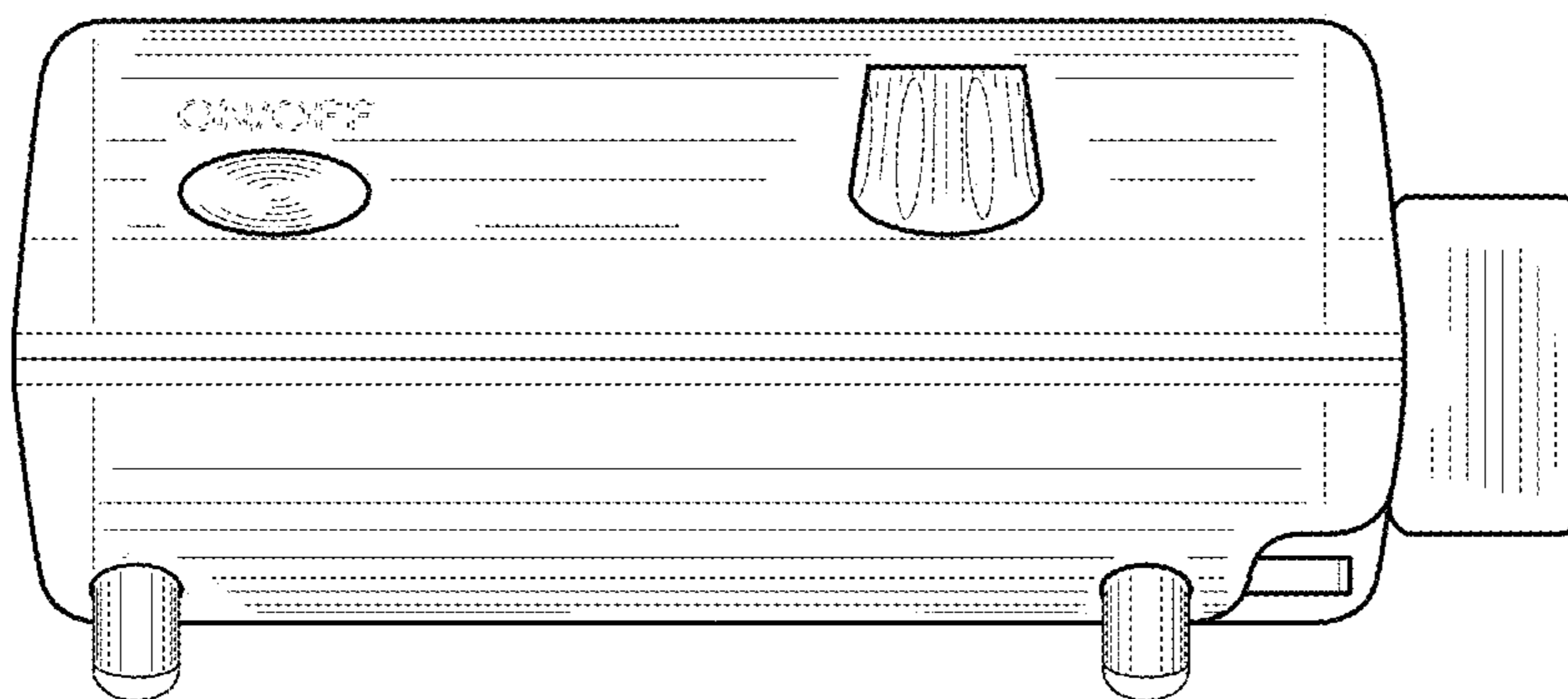


FIG. 3

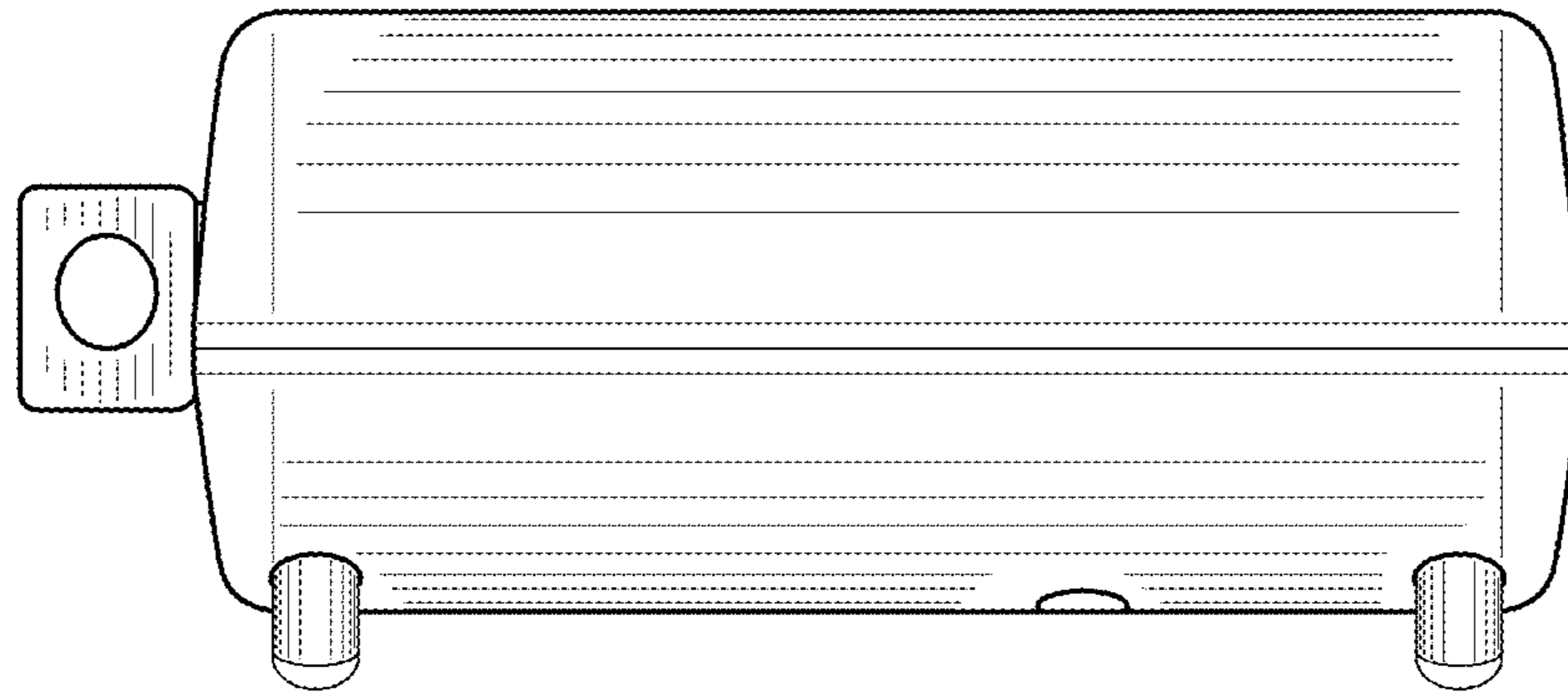


FIG. 4

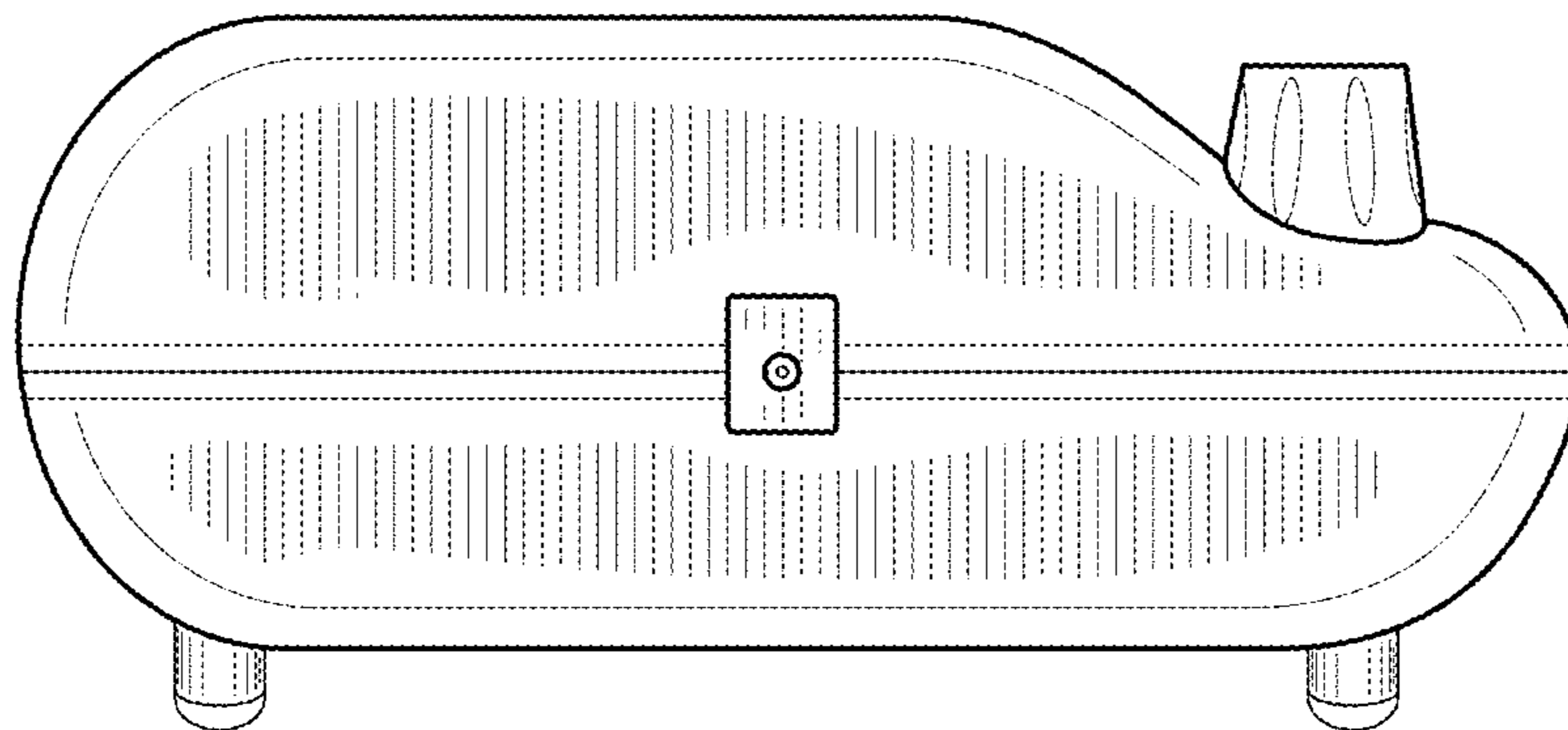


FIG. 5

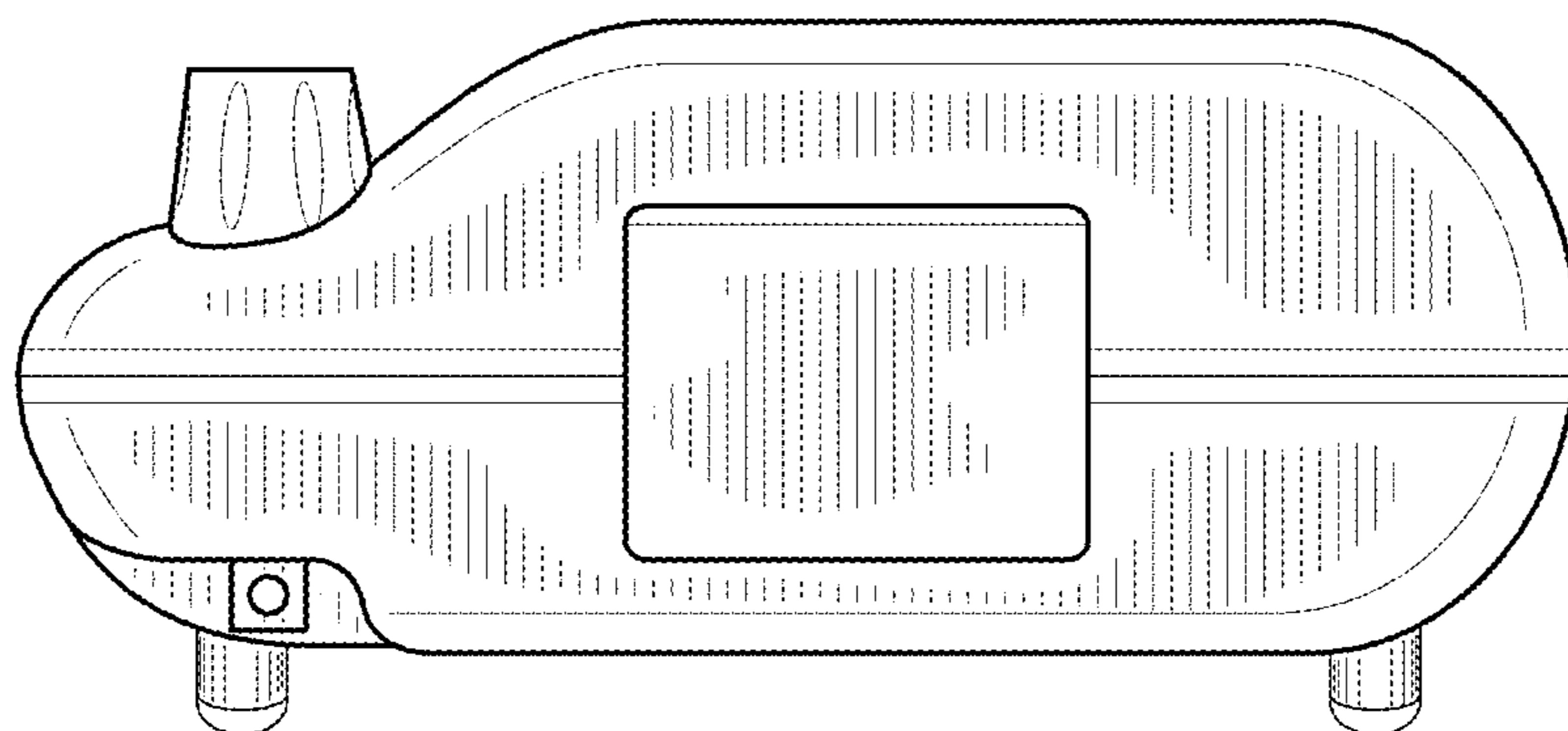


FIG. 6

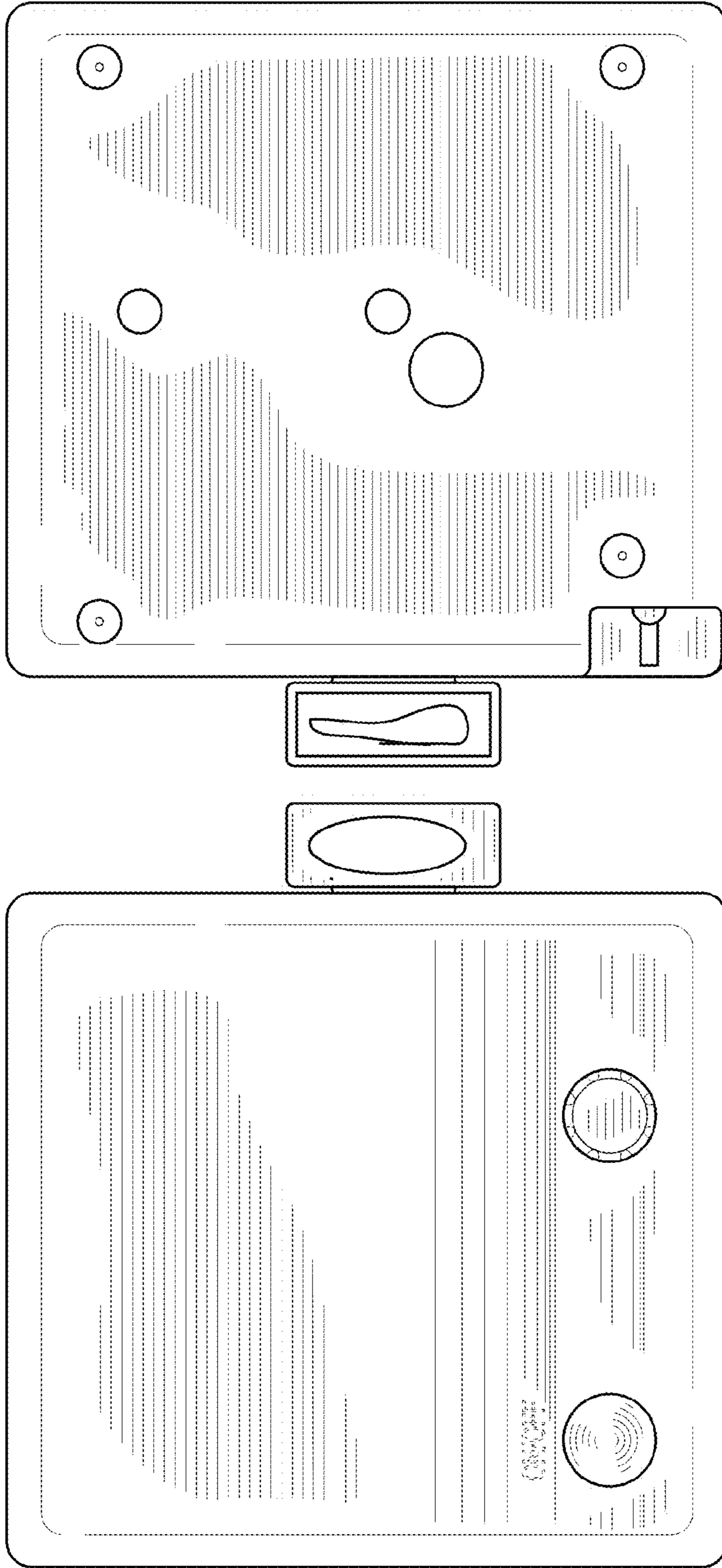


FIG. 8

FIG. 7