



US00D703239S

(12) **United States Design Patent**
Ueno

(10) **Patent No.:** **US D703,239 S**
(45) **Date of Patent:** **** Apr. 22, 2014**

(54) **WEIGHT FOR VIBRATION MOTOR**

(71) Applicant: **Nidec Copal Corporation**, Tokyo (JP)

(72) Inventor: **Sayaka Ueno**, Tokyo (JP)

(73) Assignee: **Nidec Copal Corporation**, Tokyo (JP)

(**) Term: **14 Years**

(21) Appl. No.: **29/451,098**

(22) Filed: **Mar. 27, 2013**

(30) **Foreign Application Priority Data**

Sep. 27, 2012 (JP) 2012-023548

(51) **LOC (10) Cl.** **15-01**

(52) **U.S. Cl.**
USPC **D15/5**

(58) **Field of Classification Search**
USPC D15/1-5, 147; D13/112, 118, 184, 199;
310/81, 89, 15, 67 R, 91, 179
See application file for complete search history.

(56) **References Cited**

U.S. PATENT DOCUMENTS

D464,621 S *	10/2002	Segawa	D13/112
D534,121 S *	12/2006	Morita et al.	D13/112
7,679,240 B2 *	3/2010	Kono	310/81
D614,671 S *	4/2010	Nakamura	D15/5
D619,534 S *	7/2010	Umehara	D13/112
7,825,555 B2 *	11/2010	Uchiumi et al.	310/81
7,888,832 B2 *	2/2011	Masato	310/81

8,013,486 B2 *	9/2011	Umehara et al.	310/81
8,137,778 B2 *	3/2012	Kawano et al.	428/35.8
2002/0195890 A1 *	12/2002	Sun	310/81
2005/0179332 A1 *	8/2005	Park et al.	310/81
2005/0206257 A1 *	9/2005	Takagi et al.	310/81
2009/0184596 A1 *	7/2009	Masato	310/91
2009/0218896 A1 *	9/2009	Uchiumi et al.	310/81
2009/0251017 A1 *	10/2009	Matsubara	310/81
2009/0269525 A1 *	10/2009	Kawano et al.	428/34.1
2011/0266901 A1 *	11/2011	Kanai	310/81

* cited by examiner

Primary Examiner — T. Chase Nelson

Assistant Examiner — Ania Aman

(74) *Attorney, Agent, or Firm* — Beyer Law Group LLP

(57) **CLAIM**

The ornamental design for a weight for vibration motor, as shown and described.

DESCRIPTION

FIG. 1 is a top front perspective view of a weight for a vibration motor showing my new design;
FIG. 2 is a bottom rear perspective view thereof;
FIG. 3 is a front view thereof;
FIG. 4 is a rear view thereof;
FIG. 5 is a right side view thereof, a left side view being a mirror image of the right side view;
FIG. 6 is a top plan view thereof; and,
FIG. 7 is a bottom plan view thereof.

1 Claim, 5 Drawing Sheets

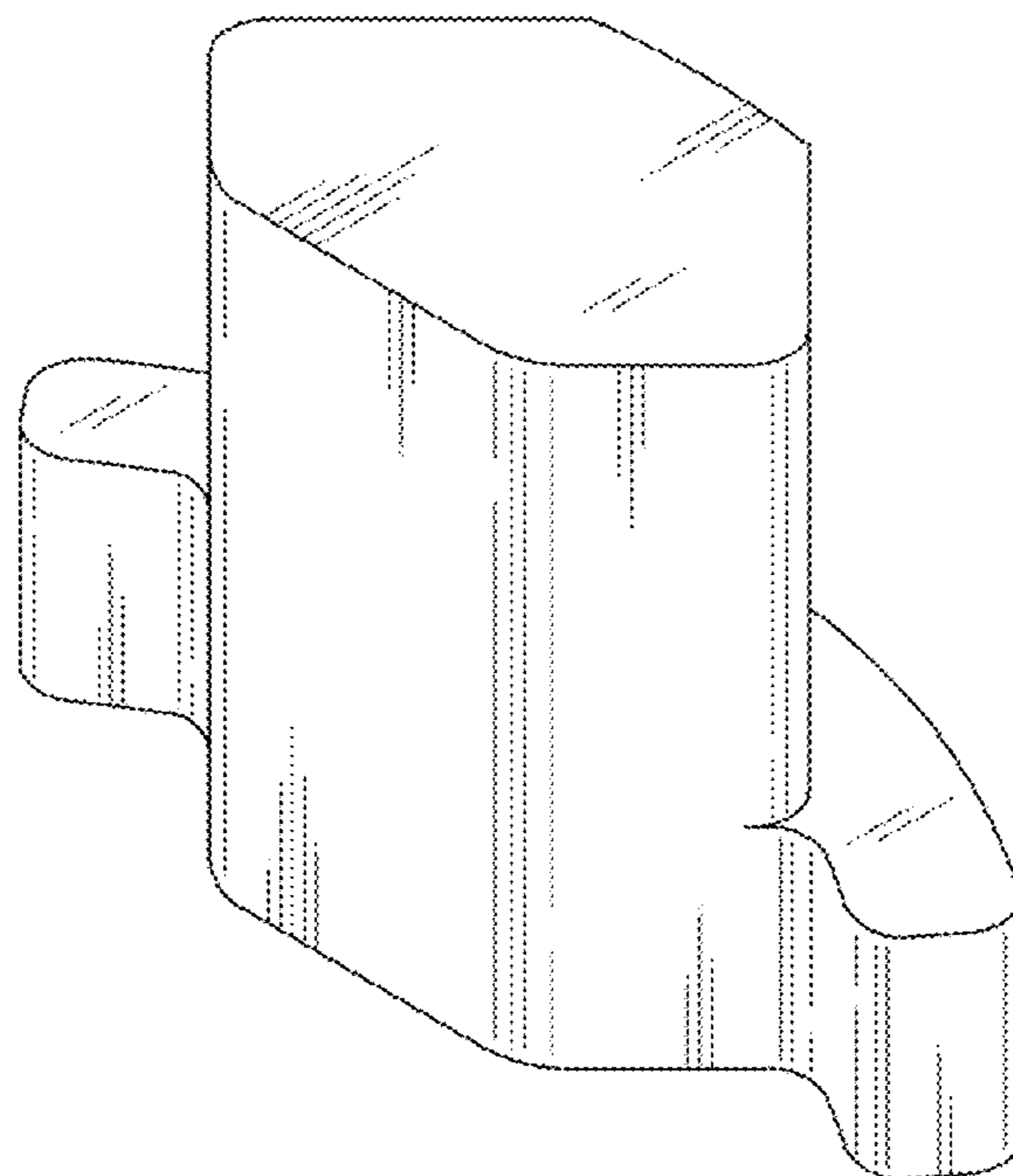


Fig. 1

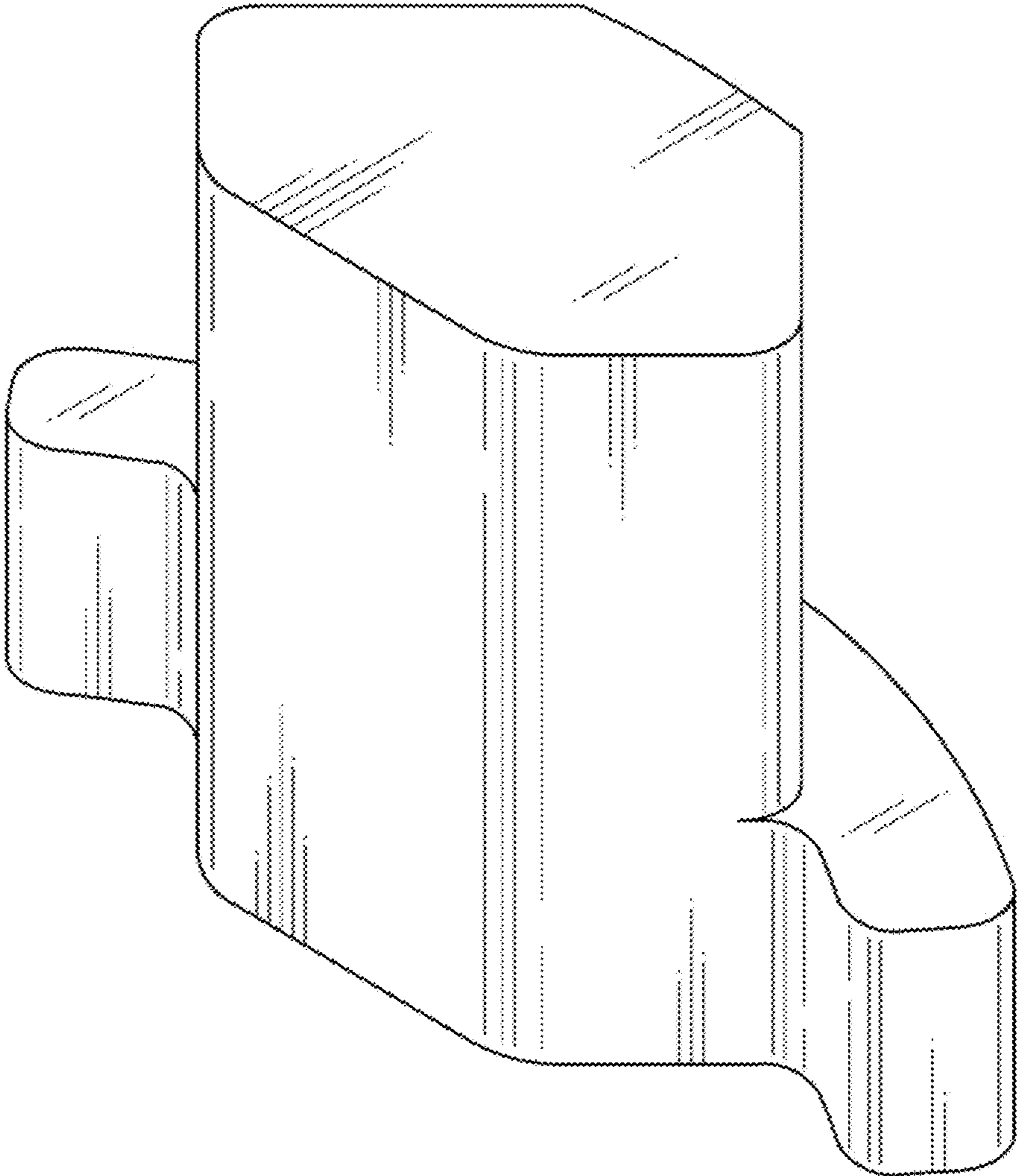


Fig. 2

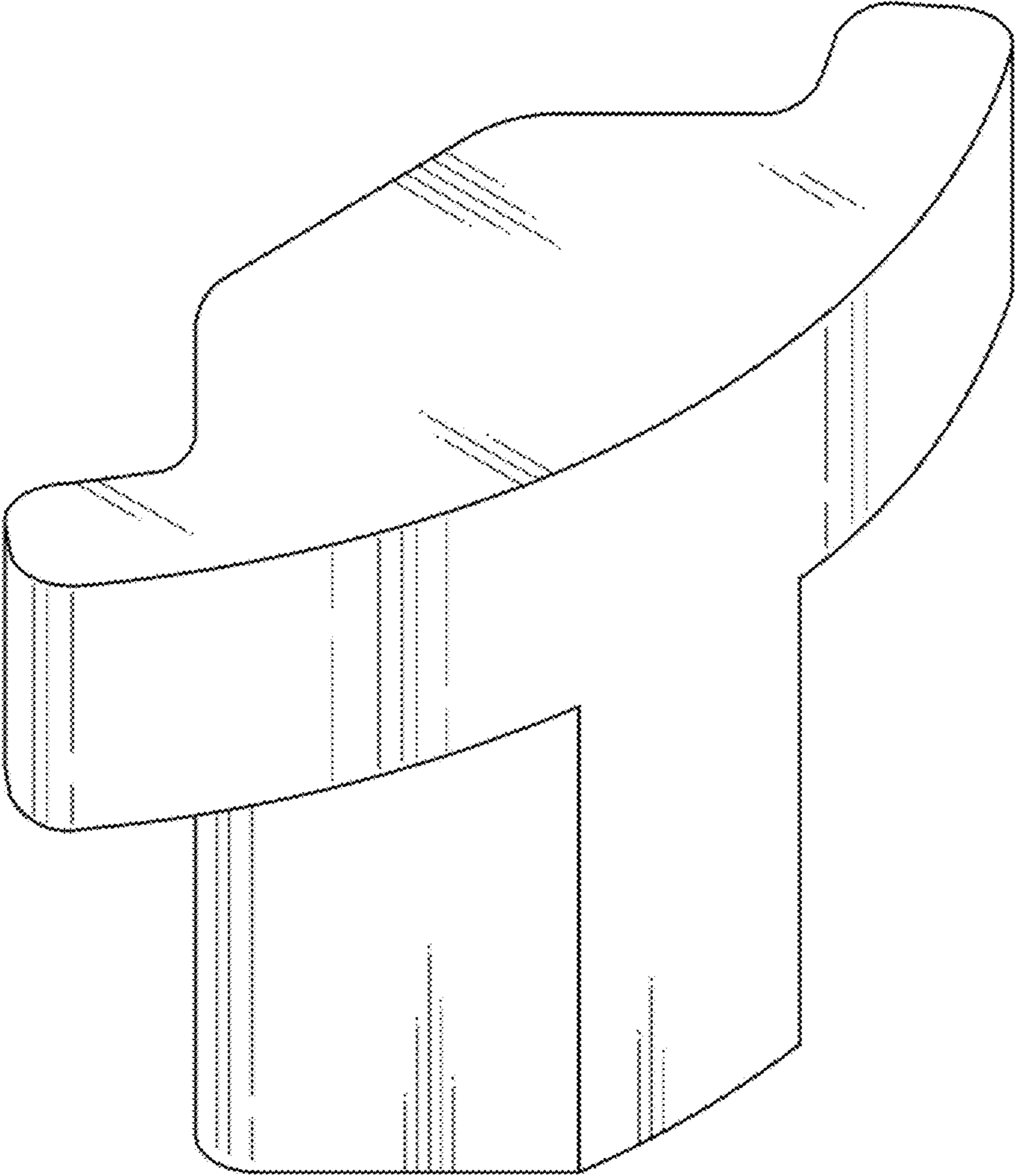


Fig. 3

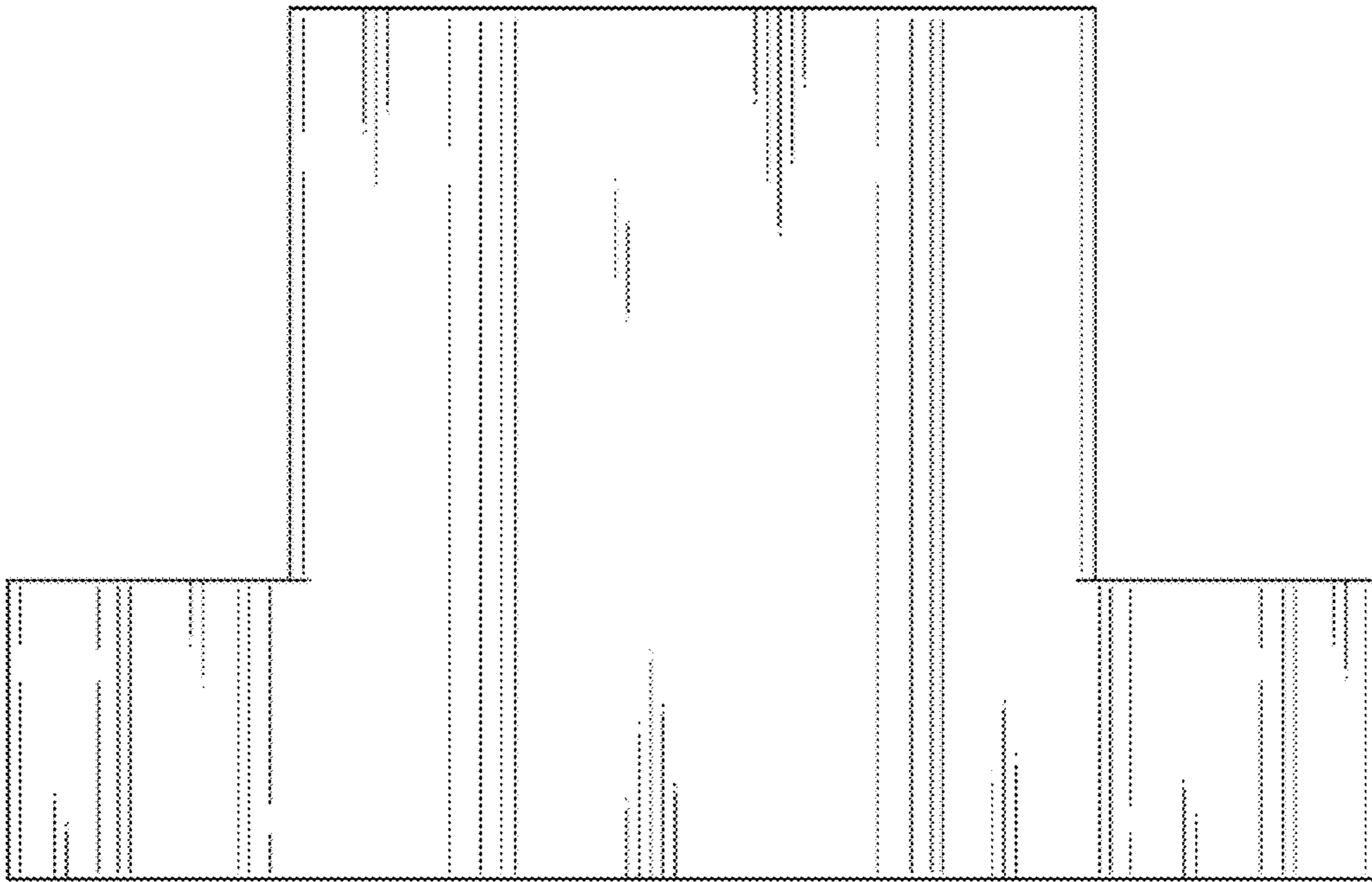


Fig. 4

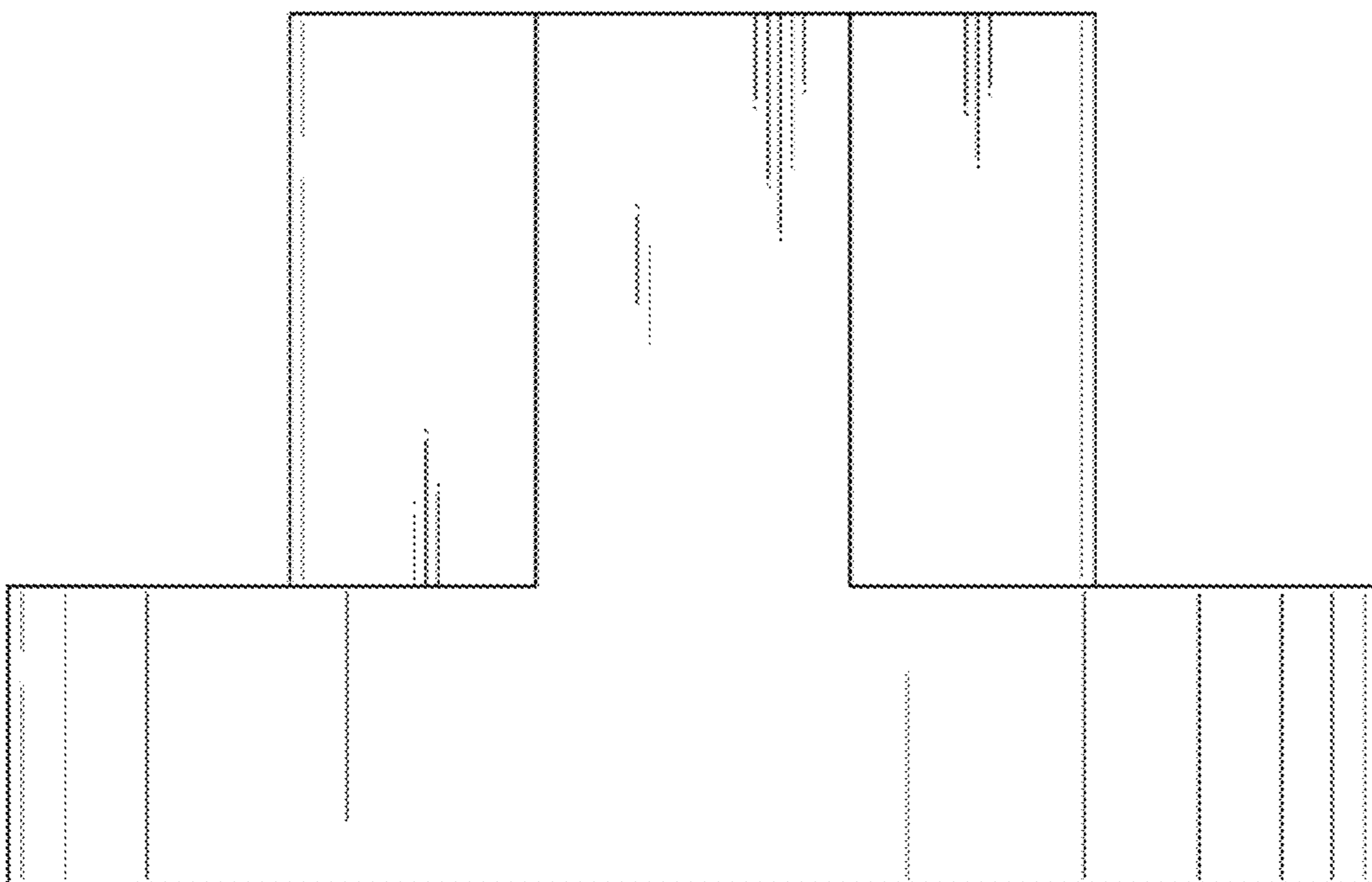


Fig. 5

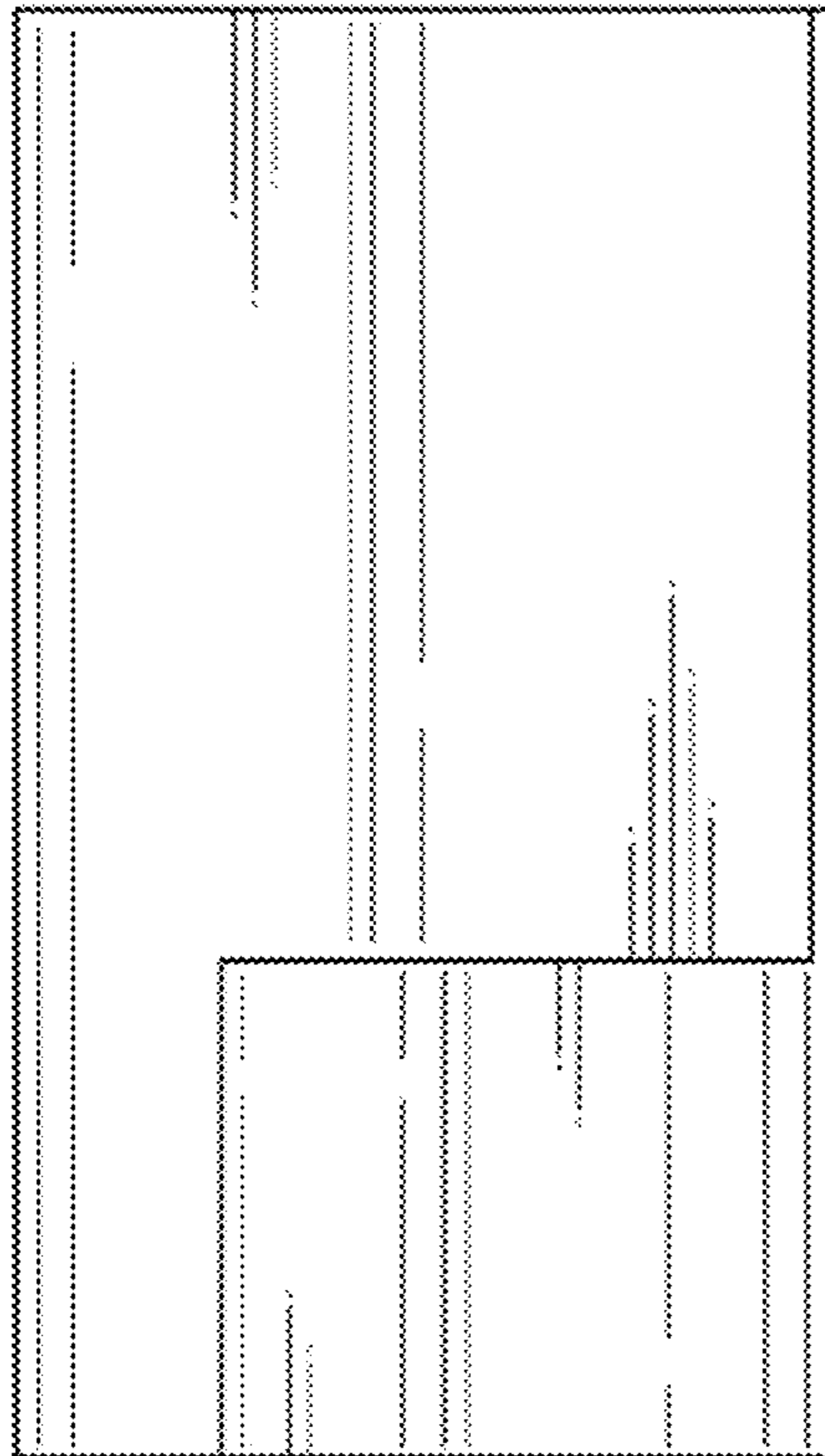


Fig. 6

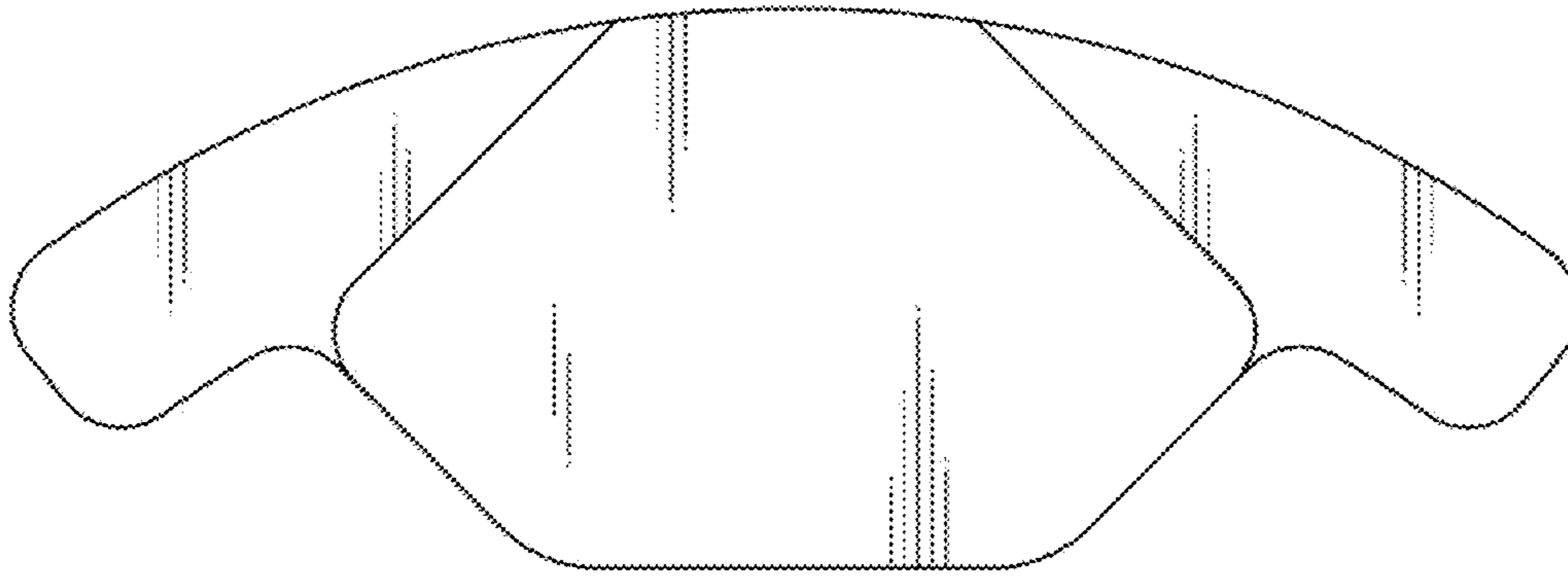


Fig. 7

