



US00D703238S

(12) **United States Design Patent**
Ueno

(10) **Patent No.:** **US D703,238 S**
(45) **Date of Patent:** **** Apr. 22, 2014**

(54) **WEIGHT FOR VIBRATION MOTOR**

(71) Applicant: **Nidec Copal Corporation**, Tokyo (JP)

(72) Inventor: **Sayaka Ueno**, Tokyo (JP)

(73) Assignee: **Nidec Copal Corporation**, Tokyo (JP)

(**) Term: **14 Years**

(21) Appl. No.: **29/451,097**

(22) Filed: **Mar. 27, 2013**

(30) **Foreign Application Priority Data**

Sep. 27, 2012 (JP) 2012-023547

(51) **LOC (10) Cl.** **15-01**

(52) **U.S. Cl.**
USPC **D15/5**

(58) **Field of Classification Search**
USPC D15/1-5, 147; D13/112, 118, 184, 199;
310/81, 89, 15, 67 R, 91, 179
See application file for complete search history.

(56) **References Cited**

U.S. PATENT DOCUMENTS

| | | | | |
|----------------|---------|----------------|-------|---------|
| D464,621 S * | 10/2002 | Segawa | | D13/112 |
| D534,121 S * | 12/2006 | Morita et al. | | D13/112 |
| 7,679,240 B2 * | 3/2010 | Kono | | 310/81 |
| D614,671 S * | 4/2010 | Nakamura | | D15/5 |
| D619,534 S * | 7/2010 | Umehara | | D13/112 |
| 7,825,555 B2 * | 11/2010 | Uchiumi et al. | | 310/81 |

| | | | | |
|-------------------|---------|----------------|-------|----------|
| 7,888,832 B2 * | 2/2011 | Masato | | 310/81 |
| 8,013,486 B2 * | 9/2011 | Umehara et al. | | 310/81 |
| 8,137,778 B2 * | 3/2012 | Kawano et al. | | 428/35.8 |
| 2002/0195890 A1 * | 12/2002 | Sun | | 310/81 |
| 2005/0179332 A1 * | 8/2005 | Park et al. | | 310/81 |
| 2005/0206257 A1 * | 9/2005 | Takagi et al. | | 310/81 |
| 2009/0184596 A1 * | 7/2009 | Masato | | 310/91 |
| 2009/0218896 A1 * | 9/2009 | Uchiumi et al. | | 310/81 |
| 2009/0251017 A1 * | 10/2009 | Matsubara | | 310/81 |
| 2009/0269525 A1 * | 10/2009 | Kawano et al. | | 428/34.1 |
| 2011/0266901 A1 * | 11/2011 | Kanai | | 310/81 |

* cited by examiner

Primary Examiner — T. Chase Nelson

Assistant Examiner — Ania Aman

(74) *Attorney, Agent, or Firm* — Beyer Law Group LLP

(57) **CLAIM**

The ornamental design for a weight for vibration motor, as shown and described.

DESCRIPTION

FIG. 1 is a top front perspective view of a weight for a vibration motor showing my new design;
FIG. 2 is a bottom rear perspective view thereof;
FIG. 3 is a front view thereof;
FIG. 4 is a rear view thereof;
FIG. 5 is a right side view thereof, a left side view being a mirror image of the right side view;
FIG. 6 is a top plan view thereof;
FIG. 7 is a bottom plan view thereof; and,
FIG. 8 is a cross-sectional view thereof along the line 8-8 shown in FIG. 7.

1 Claim, 6 Drawing Sheets

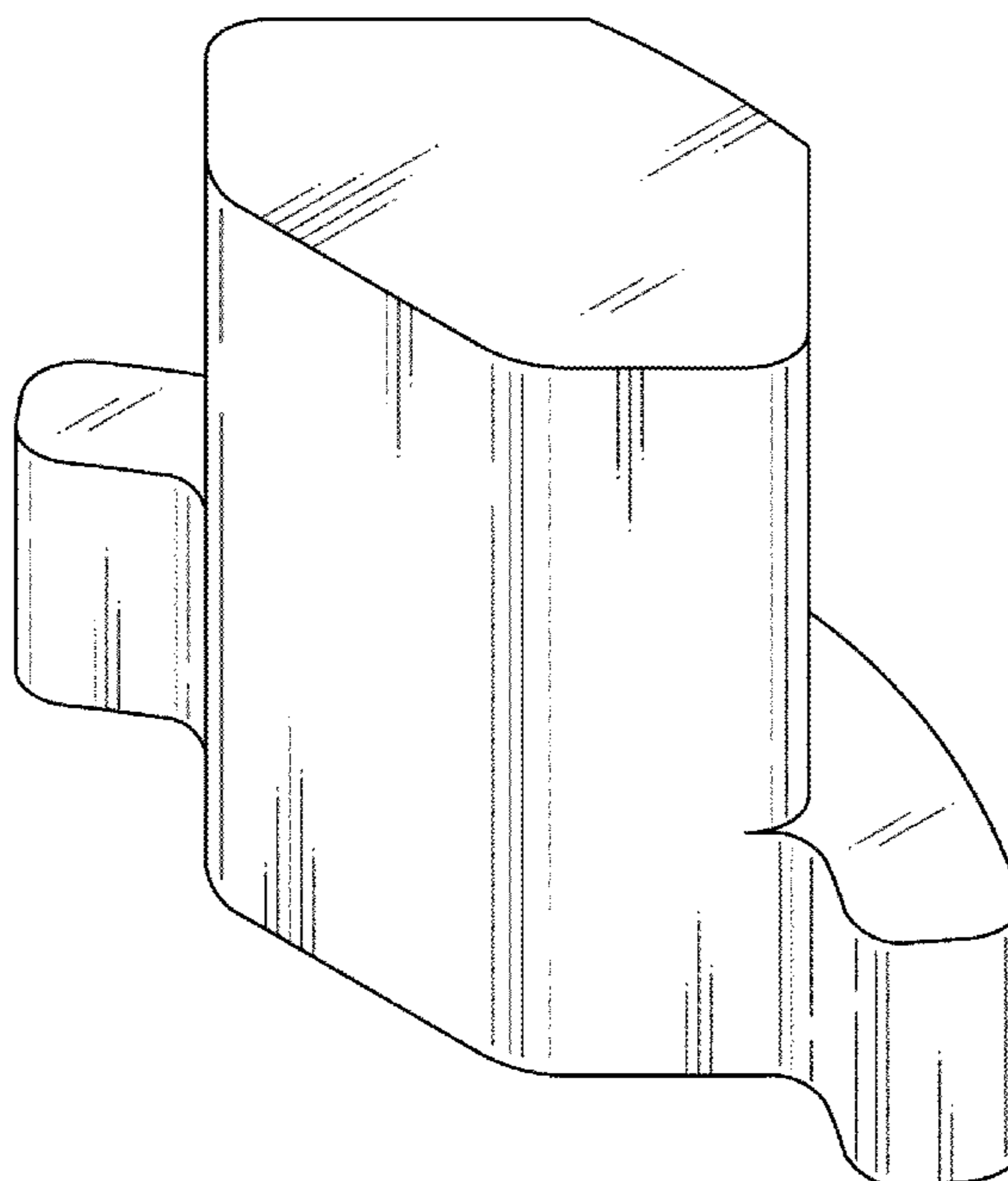


Fig. 1

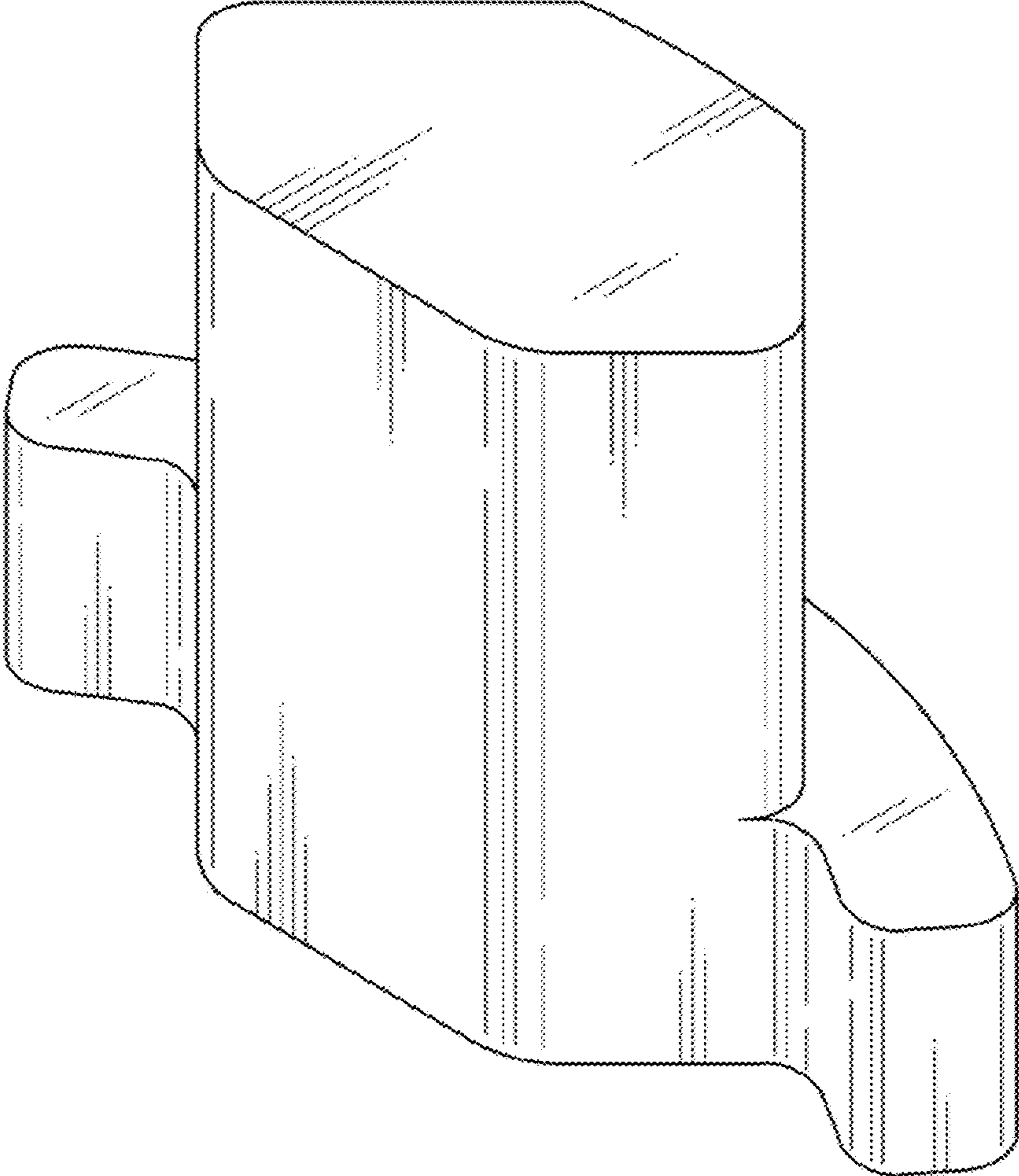


Fig. 2

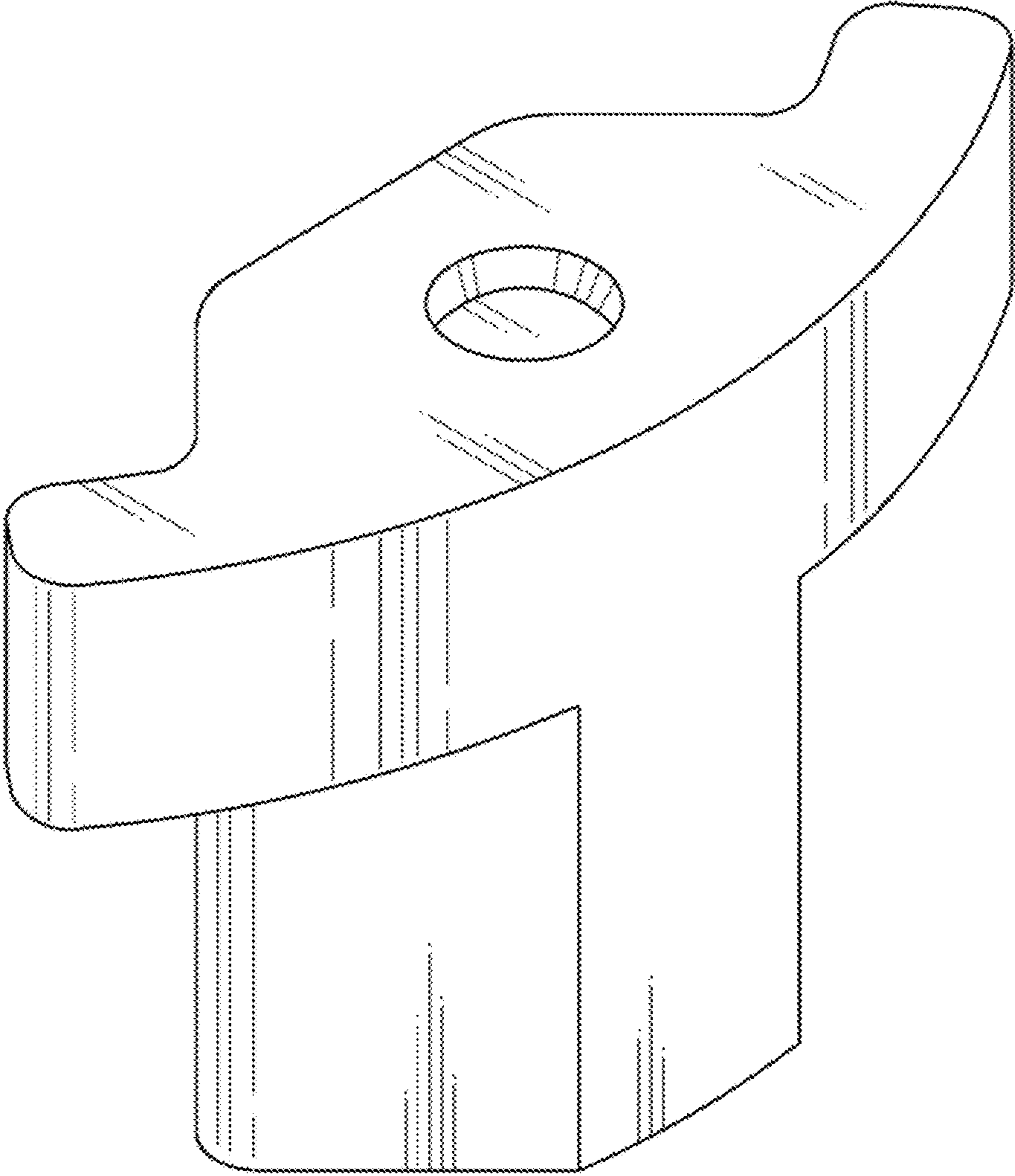


Fig. 3

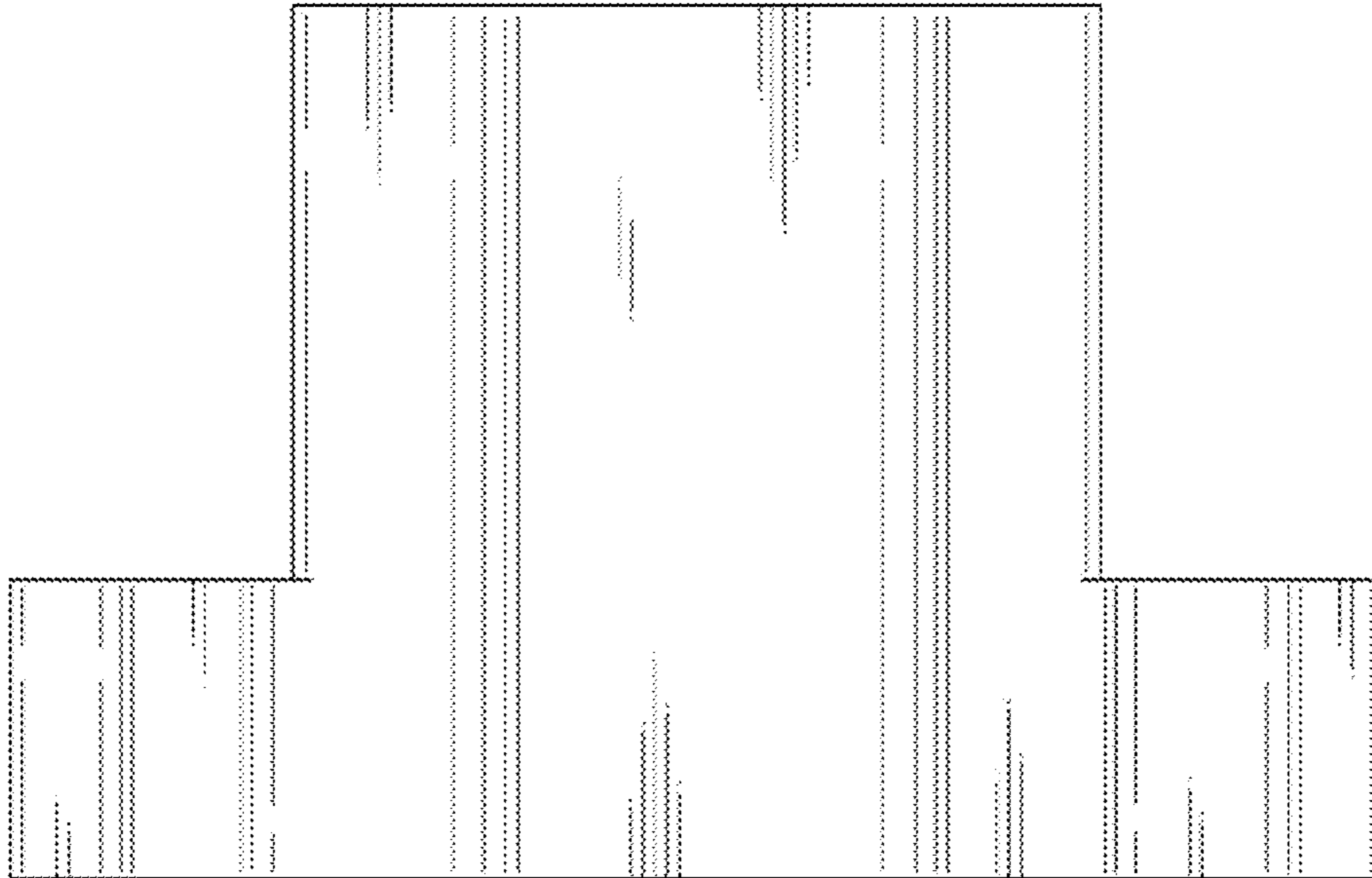


Fig. 4

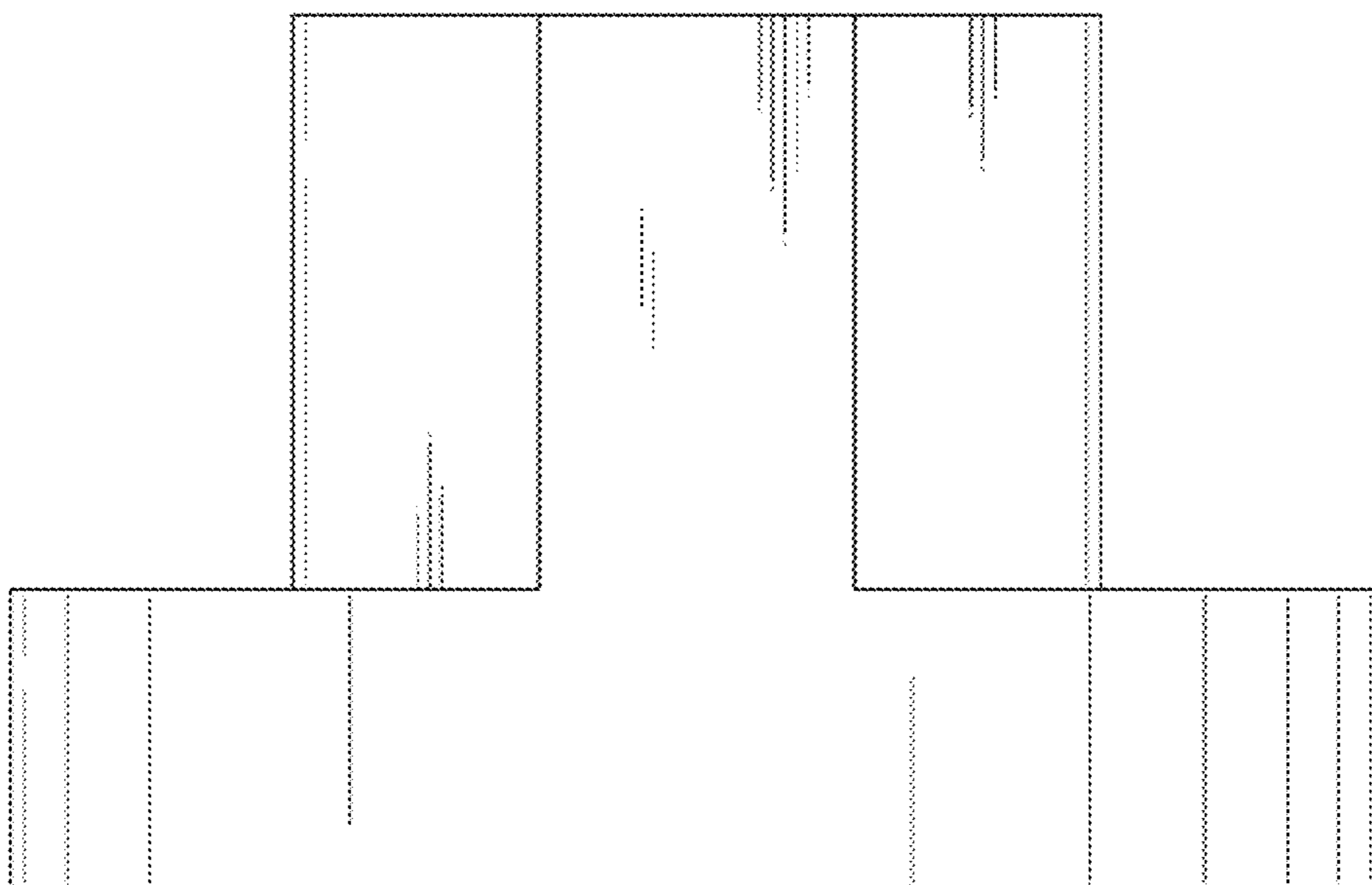


Fig. 5

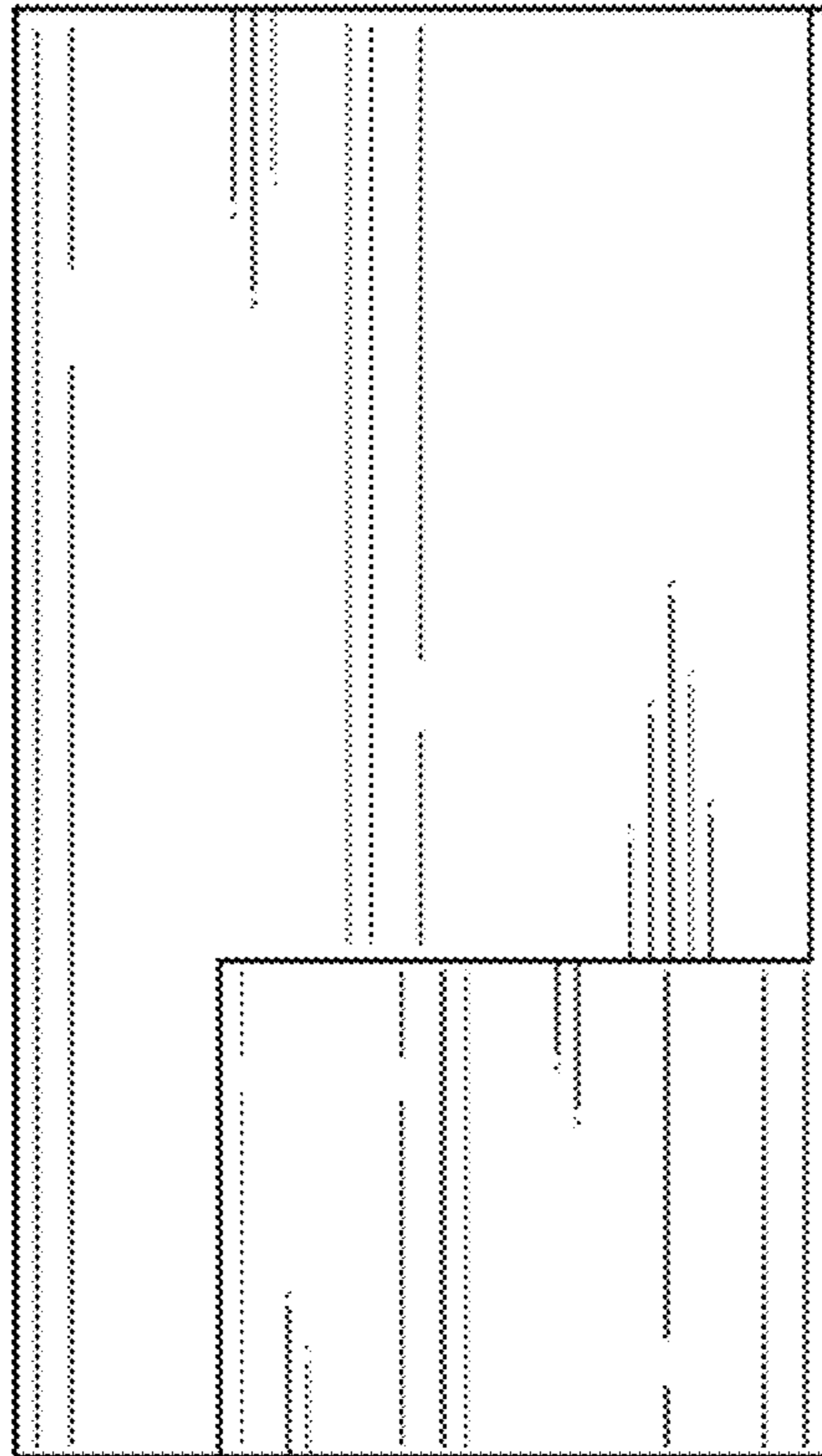


Fig. 6

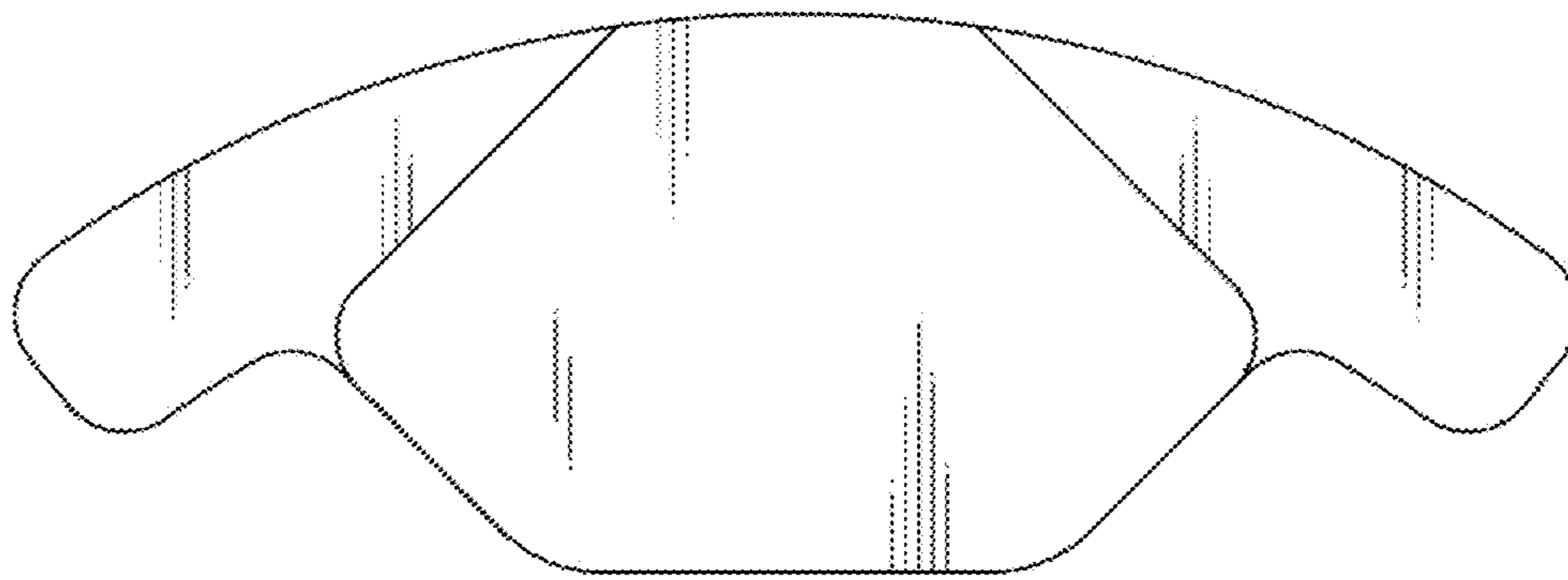


Fig. 7

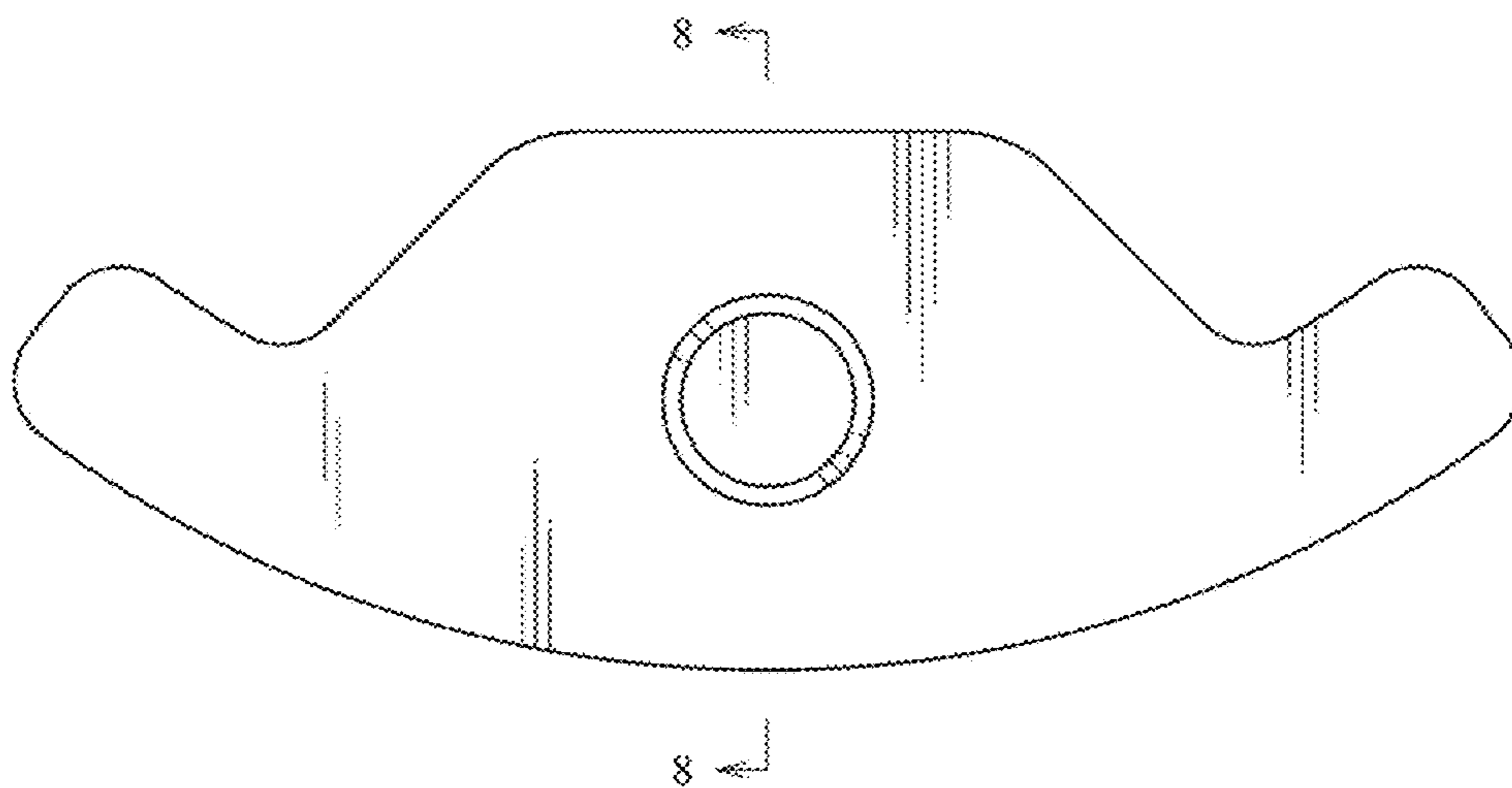


Fig. 8

